

# LUCAS

SECTION

C

## CONTROL BOXES · CUTOUTS FUSE BOXES · JUNCTION BOXES REGULATORS · RELAYS · TERMINAL BLOCKS

### CONTROL BOXES, CUTOUTS AND REGULATORS

#### Model Interpretation

CFR2	Incorporates Cutout, Fuse and Resistance. Two resistance values for 4-pole generator.	RB310	Regulator Box with three separately wound bobbins for Voltage Regulator, Current Regulator and Cutout. Fitted with screw or 'Lucar' connections.
CJR3	Incorporates Cutout, Junction Box and Fuses.	RF91	Combined Regulator and Fuse Box, with LRT9/2 Regulator, incorporating thermostat for temperature compensation. One resistance only for 2-pole generators.
MCR1	Motor Cycle type with LRT9/1 Regulator, incorporating thermostat for temperature compensation.	RF92	Incorporates Fuses and LRT9 Regulator.
MCR2	As MCR1, but with LRT9/2 Regulator.	RF95/2	LRT9/2 Regulator, incorporating thermostat for temperature compensation. External fuses.
RB106/1	Regulator Box with LRT9/2 Regulator, incorporating thermostat for temperature compensation. Shrouded terminals.	RF96/2	LRT9/2 Regulator, incorporating thermostat for temperature compensation. No fuses.
RB106S/1	As RB106/1, but suppressed for radio.	RF96S/2	As RF96/2, but suppressed for radio.
RB106/2	As RB106/1, but with 106/2 Regulator.	RJF91	Incorporates LRT9 Regulator, Junction Box and Fuses.
RB106S/2	As RB106S/1, but with 106/2 Regulator.	2TR	Transistorised Regulator with Diode.
RB107	Regulator Box with 106/2 Regulator and sealed cover.		
RB108	Regulator Box with 106/2 Regulator, incorporating thermostat for temperature compensation. Terminal sleeve connections.		

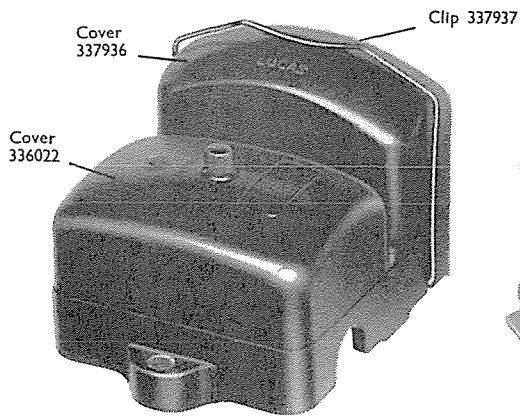
### Model Reference and Part Number Index

Details of all Control Boxes, etc., appearing in this Section

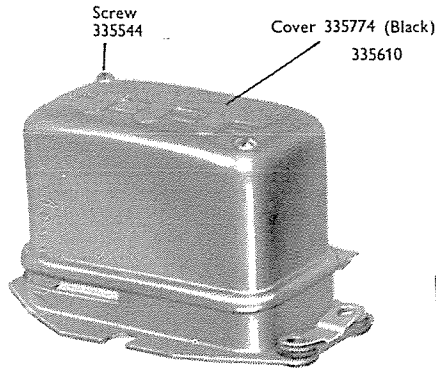
Model	Part No.	Model	Part No.	Model	Part No.	Model	Part No.
CFR2	332151	RB106/2	37290	RB310	37308	RF95/2	37078
CFR2	332179	RB106S/2	37219	RB310	37315	RF95/2	37079
CFR2	332195	RB106S/2	37220	RB310	37323	RF95/2	37080
CFR2	332202	RB106S/2	37248	RB310	37332	RF95/2	37081
CFR2	332203	RB106S/2	37280	RB310	37341	RF95/2	37092
CJR3	33027	RB107	37127	RF91	37002	RF95/2	37093
CJR3	336212	RB108	37225	RF91	37003	RF95S/3	37105
MCR1	33018	RB310	37187	RF91	37031	RF96	37052
MCR2	37097	RB310	37189	RF91	37032	RF96	37098
MCR2	37144	RB310	37195	RF91	37033	RF96	37102
RB106/1	37035J	RB310	37204	RF91	37034	RF96	37116
RB106/1	37138	RB310	37207	RF91	37050	RF96	37118
RB106/1	37139	RB310	37226	RF91	37055	RF96/2	37035A/H
RB106/1	37172	RB310	37259	RF91	37056	RF96/2	37048
RB106S/1	37166	RB310	37277	RF91	37058	RF96/2	37054
RB106S/1	37178	RB310	37279	RF91	37063	RF96/2	37066
RB106/2	37182	RB310	37297	RF91	334551	RF96S/2	37089
RB106/2	37183	RB310	37298	RF92	37099	RF96S/2	37190
RB106/2	37206	RB310	37299	RF95/2	37057	RJF91	37030
RB106/2	37216	RB310	37301	RF95/2	37062	RJF91	37036
RB106/2	37217	RB310	37303	RF95/2	37065	RJF91	37046
RB106/2	37247	RB310	37304	RF95/2	37067	2TR	37296
RB106/2	37264	RB310	37305	RF95/2	37076		
RB106/2	37283	RB310	37307				



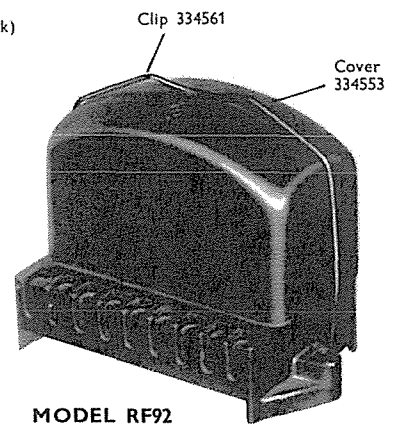
# CONTROL BOXES, CUTOUTS AND REGULATORS



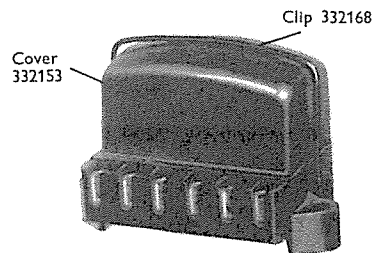
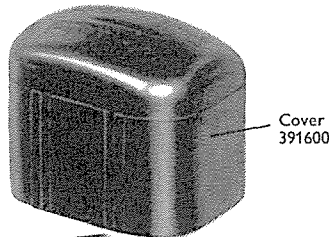
**MODELS CJR3  
RJF91**



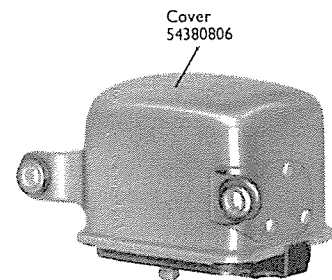
**MODEL RB310**



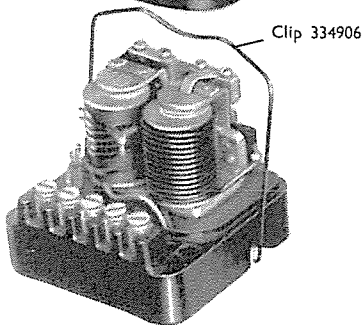
**MODEL RF92**



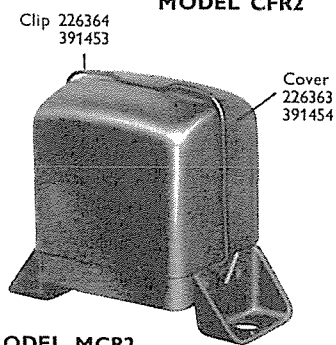
**MODEL CFR2**



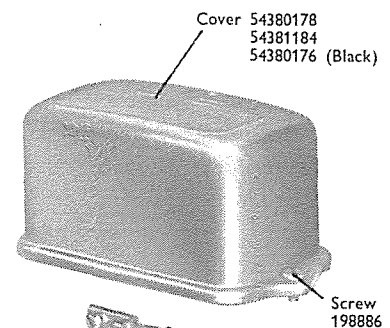
**MODEL RB108**



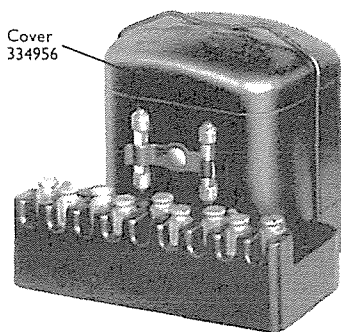
**MODELS RF96  
RB106**



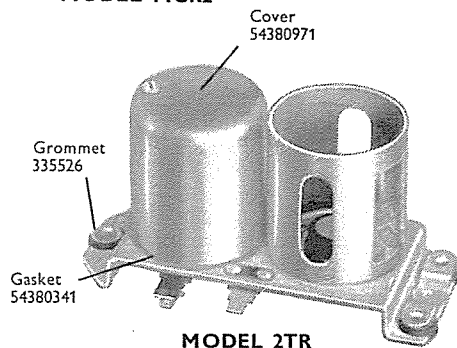
**MODEL MCR2**



**MODEL RB310**



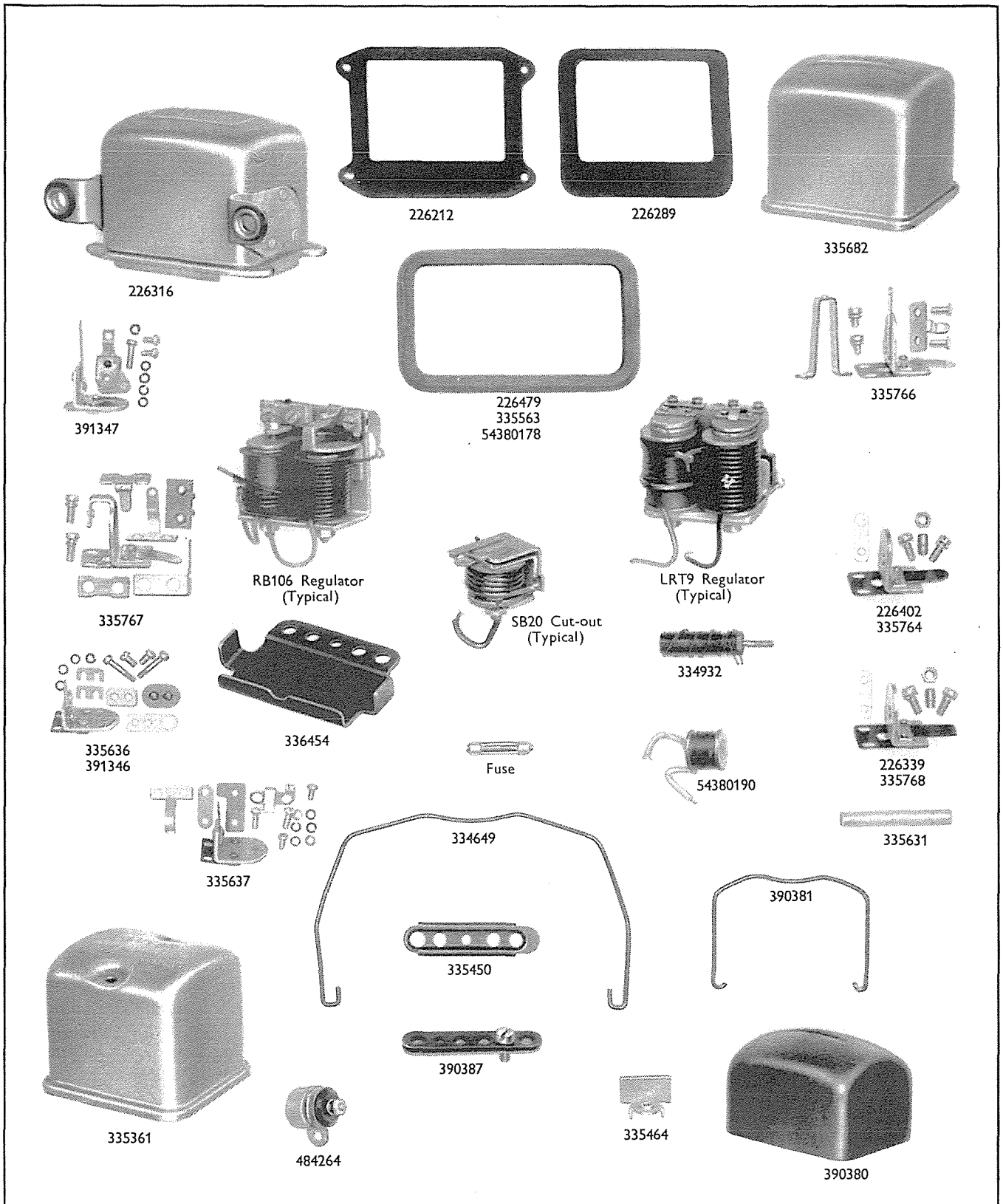
**MODEL RF95/2**



**MODEL 2TR**

*For detailed spare parts, see pages C4-C10*

# CONTROL BOXES, CUTOUTS AND REGULATORS



For detailed spare parts, see pages C4-C10



# CONTROL BOXES, CUTOUTS AND REGULATORS

## DETAILED SPARE PARTS

Part No. . . . .	†33018A	33027A	†37002A	†37003A	†37030A	†37031A/B	†37032A/B
Model . . . . .	MCR1	CJR3	RF91	RF91	RJF91	RF91	RF91
Voltage . . . . .	6	12	12	12	12	12	12
Replaced by (see footnote) . . . . .	(37144)	—	(37065)	(37065)	(37046)	(37057)	(37057)
§Cover, regulator or cutout . . . . .	*390380	337936	334553	334553	337936	334553	334553
§Cover, fuse . . . . .	—	336022	—	—	336022	—	—
§Clip or screw, cover fixing . . . . .	390381	337937	334561	334561	337937	334561	334561
§Regulator or cutout . . . . .	—	339211	*33055	*33055	*33055	*33055	*33055
§ Contact set, cutout . . . . .	335637	—	391347	391347	391347	391347	391347
Screw, cutout adjusting . . . . .	—	—	390794	390794	390794	390794	390794
Nut, cutout adjusting screw . . . . .	—	—	390529	390529	390529	390529	390529
§ Contact set, voltage regulator . . . . .	335636	—	391346	391346	391346	391346	391346
§Resistance, points (see page C15) . . . . .	—	332200	334977	334977	334977	334977	334977
Screw, regulator fixing . . . . .	126463	—	126544	126544	126544	126544	126544
Plate, clamping . . . . .	390387	—	—	—	—	—	—
§Screw, terminal . . . . .	—	121610	121610	121610	121610	121610	121610
§Fuse, 25 amp. (see page C12) . . . . .	—	188216	188216	188216	188216	188216	188216
§Fuse, 4.5 amp. (see page C12) . . . . .	—	188230	—	—	—	—	—
§Fuse, 3 amp. (see page C12) . . . . .	—	188227	—	—	—	—	—

Part No. . . . .	†37033A	†37034A	†37035A/H	†37035J	†37036A	37046A	†37048E
Model . . . . .	RF91	RF91	RF96/2	RB106/1	RJF91	RJF91	RF96/2
Voltage . . . . .	6	6	6	6	12	12	12
Replaced by (see footnote) . . . . .	(37081)	(37062)	(37216)	(37216)	(37046)	—	(37182)
§Cover, regulator or cutout . . . . .	334553	334553	391600	391600	337936	337936	391600
§Cover, fuse . . . . .	—	—	—	—	336022	336022	—
§Clip or screw, cover fixing . . . . .	334561	334561	334906	334906	337937	337937	334906
§Regulator or cutout . . . . .	—	—	*33073	*33073	*33055	*33055	*33075
§ Contact set, cutout . . . . .	391347	391347	391347	391347	391347	391347	391347
Screw, cutout adjusting . . . . .	390794	390794	390794	390794	390794	390794	390794
Nut, cutout adjusting screw . . . . .	390529	390529	390529	390529	390529	390529	390529
§ Contact set, voltage regulator . . . . .	391346	391346	391346	391346	391346	391346	391346
§Resistance, points (see page C15) . . . . .	334976	334976	334976	334976	334977	334977	334977
Screw, regulator fixing . . . . .	126544	126544	126589	126589	126544	126544	126589
Washer, fixing screw . . . . .	—	—	185038	185038	—	—	185038
§Screw, terminal . . . . .	121610	121610	121610	121610	121610	121610	121610
§Fuse, 25 amp. (see page C12) . . . . .	188216	188216	—	—	188216	188216	—

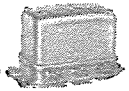
Part No. . . . .	†37050A	†37052D	†37052F/H	†37054A/D	†37054E/F	†37055A	†37056A
Model . . . . .	RF91	RF96S	RF96S/2	RF96	RF96/2	RF91	RF91
Voltage . . . . .	6	12	12	6	6	12	6
Replaced by (see footnote) . . . . .	(37099)	(37219)	(37219)	(37247)	(37247)	(37057)	(37081)
§Cover, regulator or cutout . . . . .	334553	391600	391600	391600	391600	334553	334553
§Clip or screw, cover fixing . . . . .	334561	334906	334906	334906	334906	334649	334649
§Regulator or cutout . . . . .	—	*33055	*33075	—	*33076	*33055	—
§ Contact set, cutout . . . . .	391347	391347	391347	391347	391347	391347	391347
Screw, cutout adjusting . . . . .	390794	390794	390794	390794	390794	390794	390794
Nut, cutout adjusting screw . . . . .	390529	390529	390529	390529	390529	390529	390529
§ Contact set, voltage regulator . . . . .	391346	391346	391346	391346	391346	391346	391346
§Resistance, points (see page C15) . . . . .	334976	334977	334977	334976	334976	334977	334976
Screw, regulator fixing . . . . .	—	126589	126589	126589	126589	126544	126544
Washer, fixing screw . . . . .	—	185038	185038	185038	185038	—	—
Condenser and clip . . . . .	—	484264	484264	—	—	—	—
Screw, condenser fixing . . . . .	—	126589	126589	—	—	—	—
§Choke assembly . . . . .	—	334932	334932	—	—	—	—
Nut, choke fixing . . . . .	—	166160	166160	—	—	—	—
Washer, plain, choke fixing nut . . . . .	—	131000	131000	—	—	—	—
Washer, spring, choke fixing nut . . . . .	—	185012	185012	—	—	—	—
§Screw, terminal . . . . .	121610	121610	121610	121610	121610	121610	121610
§Fuse, 25 amp. (see page C12) . . . . .	188216	—	—	—	—	188216	188216

For illustrations, see pages C2-C3

Note. For replacement spare parts, see appropriate column under part number      \* See Supersession Chart  
 † When ordering, quote part number shown in brackets      § Recommended spares for stock

continued

# CONTROL BOXES, CUTOUTS AND REGULATORS



## DETAILED SPARE PARTS

Part No. . . . .	37057A/F	37057H	37057J	†37058A	37062A/H	37062J	37062K
Model . . . . .	RF95/2	RF95/3	RF95/3	RF91	RF95/2	RF95/3	RF95/3
Voltage . . . . .	12	12	12	6	6	6	6
Replaced by (see footnote) . . . . .	—	—	—	(37062)	—	—	—
§Cover, regulator or cutout . . . . .	334956	334956	334956	334553	334956	334956	334956
§Clip or screw, cover fixing . . . . .	334906	334906	334906	334561	334906	334906	334906
§Regulator or cutout . . . . .	*33072	33183	33183	—	*33076	33180	33180
§ Contact set, cutout . . . . .	391347	335767	335767	391347	391347	335767	335767
Screw, cutout adjusting . . . . .	390794	390794	54380161	390794	390794	390794	54380161
Nut, cutout adjusting screw . . . . .	390529	390529	—	390529	390529	390529	—
§ Contact set, voltage regulator . . . . .	391346	335768	335768	391346	391346	335768	335768
Spring, adjusting screw . . . . .	—	—	54380088	—	—	—	54380088
§Resistance, points (see page C15) . . . . .	334977	334977	334977	334976	334976	334976	334976
Screw, regulator fixing . . . . .	126589	126589	126589	126544	126589	126589	126589
Washer, fixing screw . . . . .	185038	185040	185040	—	185038	185040	185040
§Screw, terminal . . . . .	121610	121610	121610	121610	121610	121610	121610
§Fuse, 25 amp. (see page C12) . . . . .	—	—	—	188216	—	—	—
§Fuse, 35 amp. (see page C12) . . . . .	188218	188218	188218	—	188218	188218	188218

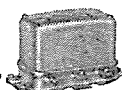
Part No. . . . .	†37063A	37065A/F	37065H	37065J	†37066A/B	†37067A/F	†37076A/F
Model . . . . .	RF91	RF95/2	RF95/3	RF95/3	RF96/2	RF95/2	RF95/2
Voltage . . . . .	6	12	12	12	12	12	12
Replaced by (see footnote) . . . . .	(37093)	—	—	—	(37183)	(37105)	(37065)
§Cover, regulator or cutout . . . . .	334553	334956	334956	334956	391600	334956	334956
§Clip or screw, cover fixing . . . . .	334561	334906	334906	334906	334906	334906	334906
§Regulator or cutout . . . . .	—	*33075	33184	33184	*33150	—	*33091
§ Contact set, cutout . . . . .	391347	391347	335767	335767	391347	391347	391347
Screw, cutout adjusting . . . . .	390794	390794	390794	54380161	390794	390794	390794
Nut, cutout adjusting screw . . . . .	390529	390529	390529	—	390529	390529	390529
§ Contact set, voltage regulator . . . . .	391346	391346	335768	335768	391346	391346	391346
Spring, adjusting screw . . . . .	—	—	—	54380088	—	—	—
§Resistance, points (see page C15) . . . . .	334976	334977	334977	334977	334977	334972	334977
Screw, regulator fixing . . . . .	—	126589	126589	126589	126589	126589	126589
Washer, fixing screw . . . . .	—	185038	185040	185040	185038	185038	185038
§Screw, terminal . . . . .	121610	121610	121610	121610	121610	121610	121610
§Fuse, 25 amp. (see page C12) . . . . .	188216	—	—	—	—	—	—
§Fuse, 35 amp. (see page C12) . . . . .	—	188218	188218	188218	—	188218	188218

Part No. . . . .	†37076H	†37078A	†37079A/F	†37080A	37081A/H	37081J	37081K
Model . . . . .	RF95/3	RF95/2	RF95/2	RF95/2	RF95/2	RF95/3	RF95/3
Voltage . . . . .	12	12	6	12	6	6	6
Replaced by (see footnote) . . . . .	(37065)	(37065)	(37081)	(37092)	—	—	—
§Cover, regulator or cutout . . . . .	334956	334956	334956	334956	334956	334956	334956
§Clip or screw, cover fixing . . . . .	334906	334906	334906	334906	334906	334906	334906
§Regulator or cutout . . . . .	*33181	*33075	*33090	*33088	*33073	33187	33187
§ Contact set, cutout . . . . .	335767	391347	391347	391347	391347	335767	335767
Screw, cutout adjusting . . . . .	390794	390794	390794	390794	390794	390794	54380161
Nut, cutout adjusting screw . . . . .	390529	390529	390529	390529	390529	390529	—
§ Contact set, voltage regulator . . . . .	335768	391346	391346	391346	391346	335768	335768
Spring, adjusting screw . . . . .	—	—	—	—	—	—	54380088
§Resistance, points (see page C15) . . . . .	334977	334977	334976	334976	334976	334976	334976
Screw, regulator fixing . . . . .	126589	126589	126589	126589	126589	126589	126589
Washer, fixing screw . . . . .	185040	185038	185038	185038	185038	185040	185040
§Screw, terminal . . . . .	121610	121610	121610	121610	121610	121610	121610
§Fuse, 35 amp. (see page C12) . . . . .	188218	188218	188218	188218	188218	188218	188218

For illustrations, see pages C2-C3

Note. For replacement spare parts, see appropriate column under part number      \* See Supersession Chart  
 † When ordering, quote part number shown in brackets      § Recommended spares for stock

continued



# CONTROL BOXES, CUTOUTS AND REGULATORS

## DETAILED SPARE PARTS

Part No. . . . .	†37089A/E	37092A/F	37092H	37092J	37093A/F	37093H	37093J
Model . . . . .	RF96S/2	RF95/2	RF95/3	RF95/3	RF95/2	RF95/3	RF95/3
Voltage . . . . .	12	12	12	12	6	6	6
Replaced by (see footnote) . . . . .	(37280)	—	—	—	—	—	—
§Cover, regulator or cutout . . . . .	391600	334956	334956	334956	334956	334956	334956
§Clip or screw, cover fixing . . . . .	334906	334906	334906	334906	334906	334906	334906
§Regulator or cutout . . . . .	—	*33075	33184	33184	33084	33182	33182
§ Contact set, cutout . . . . .	391347	391347	335767	335767	391347	335767	335767
Screw, cutout adjusting . . . . .	390794	390794	390794	54380161	390794	390794	54380161
Nut, cutout adjusting screw . . . . .	390529	390529	390529	—	390529	390529	—
§ Contact set, voltage regulator . . . . .	391346	391346	335768	335768	391346	335768	335768
Spring, adjusting screw . . . . .	—	—	—	54380088	—	—	54380088
§Resistance, points (see page C15) . . . . .	334972	334976	334976	334976	334976	334976	334976
Screw, regulator fixing . . . . .	126589	126589	126589	126589	126589	126589	126589
Washer, fixing screw . . . . .	185038	185038	185038	185038	185038	185040	185040
Condenser and clip . . . . .	484264	—	—	—	—	—	—
Screw, condenser fixing . . . . .	126589	—	—	—	—	—	—
§Choke assembly . . . . .	334932	—	—	—	—	—	—
Nut, choke fixing . . . . .	166160	—	—	—	—	—	—
Washer, plain, choke fixing nut . . . . .	131000	—	—	—	—	—	—
Washer, spring, choke fixing nut . . . . .	185012	—	—	—	—	—	—
§Screw, terminal . . . . .	121610	121610	121610	121610	121610	121610	121610
§Fuse, 35 amp. (see page C12) . . . . .	—	188218	188218	188218	188218	188218	188218

Part No. . . . .	37097A/B	37097D	37097E	†37098B	†37099A	†37102A/D
Model . . . . .	MCR2	MCR2	MCR2	RF96	RF92	RF96
Voltage . . . . .	6	6	6	12	6	6
Replaced by (see footnote) . . . . .	—	—	—	(37206)	(37081)	(37216)
§Cover, regulator or cutout . . . . .	391454	226363	226363	391600	334553	391600
§Clip or screw, cover fixing . . . . .	391453	226364	226364	334906	334561	334906
§Regulator or cutout . . . . .	—	—	—	*33108	—	*33090
§ Contact set, cutout . . . . .	391347	335767	335767	391347	—	391347
Screw, cutout adjusting . . . . .	390794	390794	54380161	390794	—	390794
Nut, cutout adjusting screw . . . . .	390529	390529	—	390529	—	390529
§ Contact set, voltage regulator . . . . .	391346	226339	226339	391346	—	391346
Spring, adjusting screw . . . . .	—	—	54380088	—	—	—
§Resistance, points (see page C15) . . . . .	—	—	—	334977	334976	334976
Screw, regulator fixing . . . . .	126463	—	—	126589	—	126589
Washer, fixing screw . . . . .	185038	—	—	185038	—	185038
Plate, clamping . . . . .	390387	390387	390387	—	—	—
Screw, clamping plate fixing . . . . .	132504	132504	132504	—	—	—
§Screw, terminal . . . . .	—	—	—	121610	121610	121610
§Fuse, 25 amp. (see page C12) . . . . .	—	—	—	—	188216	—

Part No. . . . .	37105A	37105B	37105D	†37116A/D	†37118A	†37127A/E	†37127F/K
Model . . . . .	RF95S/2	RF95S/3	RF95S/3	RF96S/2	RF96	RB107	RB107
Voltage . . . . .	12	12	12	12	12	6	6
Replaced by (see footnote) . . . . .	—	—	—	(37280)	(37217)	(37097)	(37097)
Bracket, cover fixing . . . . .	—	—	—	—	—	—	335464
§Cover, regulator or cutout . . . . .	334956	334956	334956	391600	391600	335361	335682
§Clip or screw, cover fixing . . . . .	334906	334906	334906	334906	334906	335544	126544
§Regulator or cutout . . . . .	*33118	33185	33185	*33166	*33091	—	—
§ Contact set, cutout . . . . .	391347	335767	335767	391347	391347	335767	335767
Screw, cutout adjusting . . . . .	390794	390794	54380161	390794	390794	390794	390794
Nut, cutout adjusting screw . . . . .	390529	390529	—	390529	390529	390529	390529
§ Contact set, voltage regulator . . . . .	391346	335768	335768	391346	391346	335768	335768
Spring, adjusting screw . . . . .	—	—	54380088	—	—	—	—
§Resistance, points (see page C15) . . . . .	334976	334976	334976	334976	334977	—	—
Screw, regulator fixing . . . . .	126589	126589	126589	126589	126589	126544	126544
Washer, fixing screw . . . . .	185038	185040	185040	185038	185038	185040	185040
Condenser and clip . . . . .	484264	484264	484264	484264	—	—	—
Screw, condenser fixing . . . . .	126589	126589	126589	126589	—	—	—
§Choke assembly . . . . .	334932	334932	334932	334932	—	—	—
Nut, choke fixing . . . . .	166160	166160	166160	166160	—	—	—
Washer, plain, choke fixing nut . . . . .	131000	131000	131000	131000	—	—	—
Washer, spring, choke fixing nut . . . . .	185012	185012	185012	185012	—	—	—
§Screw, terminal . . . . .	121610	121610	121610	121610	121610	—	—
Plate, terminal fixing . . . . .	—	—	—	—	—	335450	335450
§Fuse, 35 amp. (see page C12) . . . . .	188218	188218	188218	—	—	—	—

For illustrations, see pages C2-C3

Note. For replacement spare parts, see appropriate column under part number      \* See Supersession Chart  
 † When ordering, quote part number shown in brackets      § Recommended spares for stock

continued

# CONTROL BOXES, CUTOUTS AND REGULATORS



## DETAILED SPARE PARTS

Part No. . . . .	†37138A/D RB106/1 12 (37182)	†37139A/E RB106/1 12 (37183)	37144A MCR2 6 —	37144B MCR2 6 —	37144D MCR2 6 —	†37166A/D RB106S/1 12 (37220)	†37172A/B RB106/1 12 (37206)
§Cover, regulator or cutout . . . . .	391600	391600	391454	226363	226363	391600	391600
§Clip or screw, cover fixing . . . . .	334906	334906	391453	226364	226364	334906	334906
§Regulator or cutout . . . . .	*33143A	*33150A	—	—	—	*33150A	*33108
§ Contact set, cutout . . . . .	391347	391347	391347	335767	335767	391347	391347
Screw, cutout adjusting . . . . .	390794	390794	390794	390794	54380161	390794	390794
Nut, cutout adjusting screw . . . . .	390529	390529	390529	390529	—	390529	390529
§ Contact set, voltage regulator . . . . .	391346	391346	391346	226339	226339	391346	391346
Spring, adjusting screw . . . . .	—	—	—	—	54380088	—	—
§Resistance, points (see page C15) . . . . .	334977	334977	—	—	—	334977	334977
Screw, regulator fixing . . . . .	126463	126463	126463	—	—	126589	126589
Washer, fixing screw . . . . .	185038	185038	185038	—	—	185038	185038
Condenser and clip . . . . .	—	—	—	—	—	484264	—
Screw, condenser fixing . . . . .	—	—	—	—	—	126589	—
§Choke assembly . . . . .	—	—	—	—	—	334932	—
Nut, choke fixing . . . . .	—	—	—	—	—	166160	—
Washer, plain, choke fixing nut . . . . .	—	—	—	—	—	131000	—
Washer, spring, choke fixing nut . . . . .	—	—	—	—	—	185012	—
Plate, clamping . . . . .	—	—	390387	390387	390387	—	—
Screw, clamping plate fixing . . . . .	—	—	132504	132504	132504	—	—
§Screw, terminal . . . . .	121610	121610	—	—	—	121610	121610

Part No. . . . .	†37178A/B RB106S/1 12 (37248)	37182A/H RB106/2 12 —	37182J RB106/2 12 —	37182K RB106/2 12 —	37183A/H RB106/2 12 —	37183K RB106/2 12 —	37183L RB106/2 12 —
§Cover, regulator or cutout . . . . .	391600	391600	391600	391600	391600	391600	391600
§Clip or screw, cover fixing . . . . .	334906	334906	334906	334906	334906	334906	334906
§Regulator or cutout . . . . .	33156A	—	—	—	—	—	—
§ Contact set, cutout . . . . .	391347	335767	335767	335767	335767	335767	335767
Screw, cutout adjusting . . . . .	390794	390794	54380161	54380161	390794	54380161	54380161
Nut, cutout adjusting screw . . . . .	390529	390529	—	—	390529	—	—
§ Contact set, voltage regulator . . . . .	391346	226339	226339	226339	226339	226339	226339
Spring, adjusting screw . . . . .	—	—	54380088	54380088	—	54380088	54380088
§Resistance, points (see page C15) . . . . .	334977	334977	334977	54380858	334977	334977	54380858
Screw, regulator fixing . . . . .	126589	—	—	—	—	—	—
Washer, fixing screw . . . . .	185038	—	—	—	—	—	—
Condenser and clip . . . . .	484264	—	—	—	—	—	—
Screw, condenser fixing . . . . .	126589	—	—	—	—	—	—
§Choke assembly . . . . .	334932	—	—	—	—	—	—
Nut, choke fixing . . . . .	166160	—	—	—	—	—	—
Washer, plain, choke fixing nut . . . . .	131000	—	—	—	—	—	—
Washer, spring, choke fixing nut . . . . .	185012	—	—	—	—	—	—
§Screw, terminal . . . . .	121610	121610	121610	121610	121610	121610	121610

Part No. . . . .	†37187A/L RB310 12 (37307)	†37189A/J RB310 12 (37303)	37190A RF96S/2 12 —	37195A/F RB310 12 —	37195H/K RB310 12 —
§Cover, regulator or cutout . . . . .	335610	335610	391600	335774	335774
§Clip or screw, cover fixing . . . . .	335544	335544	334906	335544	335544
Tube, insulating, cover fixing screw . . . . .	857685	857685	—	857685	857685
§Gasket, cover sealing . . . . .	335563	335563	—	335563	335563
§Regulator or cutout . . . . .	—	—	33163	—	—
§ Contact set, cutout . . . . .	335766	335766	391347	335766	335766
Screw, cutout adjusting . . . . .	390794	390794	390794	390794	390794
Nut, cutout adjusting screw . . . . .	390529	390529	390529	390529	390529
§ Contact set, voltage regulator . . . . .	335765	335765	391346	226402	226402
§ Contact set, current regulator . . . . .	335764	335764	—	335764	335764
§Resistance, points (see page C15) . . . . .	54380858	54380858	334976	335739	54380858
§Resistance, field (see page C15) . . . . .	—	—	—	—	226307
Grommet and ferrule, mounting . . . . .	335526	335526	—	335526	335526
Screw, regulator fixing . . . . .	—	—	126589	—	—
Washer, fixing screw . . . . .	—	—	185038	—	—
Condenser and clip . . . . .	—	—	484264	—	—
Screw, condenser fixing . . . . .	—	—	126589	—	—
§Choke assembly . . . . .	—	—	334932	—	—
Nut, choke fixing . . . . .	—	—	166160	—	—
Washer, plain, choke fixing nut . . . . .	—	—	131000	—	—
Washer, spring, choke fixing nut . . . . .	—	—	185012	—	—
§Screw, terminal . . . . .	126490	126490	121610	126490	126490
Washer, terminal screw . . . . .	185040	185040	—	185040	185040

For illustrations, see pages C2-C3

Note. For replacement spare parts, see appropriate column under part number      \* See Supersession Chart  
 † When ordering, quote part number shown in brackets      § Recommended spares for stock



# CONTROL BOXES, CUTOUTS AND REGULATORS

## DETAILED SPARE PARTS

Part No. . . . .	37195L	37195M	†37204A/E	37206A/H	37206J	37206K
Model . . . . .	RB310	RB310	RB310	RB106/2	RB106/2	RB106/2
Voltage . . . . .	12	12	12	12	12	12
Replaced by (see footnote) . . . . .	—	—	(37298)	—	—	—
§Cover, regulator or cutout . . . . .	54380176	54380176	335610	391600	391600	391600
§Clip or screw, cover fixing . . . . .	54127512	198886	335544	334906	334906	334906
Tube, insulating, cover fixing screw . . . . .	—	—	857685	—	—	—
§Gasket, cover sealing . . . . .	226479	226479	335563	—	—	—
§Contact set, cutout . . . . .	335766	335766	335766	335767	335767	335767
Screw, cutout adjusting . . . . .	390794	390794	390794	390794	54380161	54380161
Nut, cutout adjusting screw . . . . .	390529	390529	390529	390529	—	—
§Contact set, voltage regulator . . . . .	226402	226402	335765	335768	335768	335768
§Contact set, current regulator . . . . .	335764	335764	335764	—	—	—
Screw, current and voltage regulator adjusting . . . . .	54380161	54380161	—	—	—	—
Spring, adjusting screw . . . . .	54380088	54380088	—	—	54380088	54380088
§Resistance, points (see page C15) . . . . .	54380858	54380858	54380858	334977	334977	54380858
§Resistance, field (see page C15) . . . . .	226307	226307	—	—	—	—
Grommet and ferrule, mounting . . . . .	335526	335526	335526	—	—	—
§Screw, terminal . . . . .	126504	54127518	126490	121610	121610	121610
Washer, terminal screw . . . . .	185040	—	185040	—	—	—

Part No. . . . .	†37207A/F	37216A/D	37216E	37217A/D	37217E	37217F	37219A
Model . . . . .	RB310	RB106/2	RB106/2	RB106/2	RB106/2	RB106/2	RB106S/2
Voltage . . . . .	12	6	6	12	12	12	12
Replaced by (see footnote) . . . . .	(37297)	—	—	—	—	—	—
§Cover, regulator or cutout . . . . .	335610	391600	391600	391600	391600	391600	391600
§Clip or screw, cover fixing . . . . .	335544	334906	334906	334906	334906	334906	334906
Tube, insulating, cover fixing screw . . . . .	857685	—	—	—	—	—	—
§Gasket, cover sealing . . . . .	335563	—	—	—	—	—	—
§Contact set, cutout . . . . .	335766	335767	335767	335767	335767	335767	335767
Screw, cutout adjusting . . . . .	390794	390794	54380161	390794	54380161	54380161	390794
Nut, cutout adjusting screw . . . . .	390529	390529	—	390529	—	—	390529
§Contact set, voltage regulator . . . . .	335765	335768	335768	335768	335768	335768	226339
§Contact set, current regulator . . . . .	335764	—	—	—	—	—	—
Spring, adjusting screw . . . . .	—	—	54380088	—	54380088	54380088	—
§Resistance, points (see page C15) . . . . .	54380858	334976	334976	334977	334977	54380858	334977
Grommet and ferrule, mounting . . . . .	335526	—	—	—	—	—	—
Condenser and clip . . . . .	—	—	—	—	—	—	484264
Screw, condenser fixing . . . . .	—	—	—	—	—	—	126589
§Choke assembly . . . . .	—	—	—	—	—	—	54380190
Nut, choke fixing . . . . .	—	—	—	—	—	—	166160
Washer, plain, choke fixing nut . . . . .	—	—	—	—	—	—	128013
Washer, spring, choke fixing nut . . . . .	—	—	—	—	—	—	185002
§Screw, terminal . . . . .	126490	121610	121610	121610	121610	121610	121610
Washer, terminal screw . . . . .	185040	—	—	—	—	—	†185038

Part No. . . . .	37220A	37225A/E	37225F/H	†37226A/H	37247A/E	37248A
Model . . . . .	RB106S/2	RB108	RB108	RB310	RB106/2	RB106S/2
Voltage . . . . .	12	6	6	12	6	12
Replaced by (see footnote) . . . . .	—	—	—	(37308)	—	—
§Cover, regulator or cutout . . . . .	391600	54380806	54380806	335610	391600	391600
§Clip or screw, cover fixing . . . . .	334906	—	—	335544	334906	334906
Tube, insulating, cover fixing screw . . . . .	—	—	—	857685	—	—
§Gasket, cover sealing . . . . .	—	226212	226289	335563	—	—
§Contact set, cutout . . . . .	335767	335767	335767	335766	335767	335767
Screw, cutout adjusting . . . . .	390794	390794	54380161	390794	390794	390794
Nut, cutout adjusting screw . . . . .	390529	390529	—	390529	390529	390529
§Contact set, voltage regulator . . . . .	226339	226339	226339	335765	226339	226339
§Contact set, current regulator . . . . .	—	—	—	335764	—	—
Screw, current and voltage regulator adjusting . . . . .	—	—	—	—	—	—
Spring, adjusting screw . . . . .	—	—	54380088	—	—	—
§Resistance, points (see page C15) . . . . .	334977	—	—	54380858	334976	334976
§Resistance, field (see page C15) . . . . .	—	—	—	226307	—	—
Grommet and ferrule, mounting . . . . .	—	—	—	335526	—	—
Condenser and clip . . . . .	484264	—	—	—	—	484264
Screw, condenser fixing . . . . .	126589	—	—	—	—	126589
§Choke assembly . . . . .	54380190	—	—	—	—	54380190
Nut, choke fixing . . . . .	166160	—	—	—	—	166160
Washer, plain, choke fixing nut . . . . .	128013	—	—	—	—	128013
Washer, spring, choke fixing nut . . . . .	185002	—	—	—	—	185002
Plate, clamping . . . . .	—	336454	336454	—	—	—
Screw, clamping plate fixing . . . . .	—	126544	126544	—	—	—
§Screw, terminal . . . . .	121610	—	—	126490	121610	121610
Washer, terminal screw . . . . .	†185038	—	—	185022	—	†185038
Washer, terminal screw plate . . . . .	—	185040	185040	—	—	—

For illustrations, see pages C2-C3

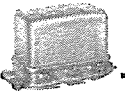
Note. For replacement spare parts, see appropriate column under part number  
 ‡ Washer, condenser fixing screw § Recommended spares for stock

† When ordering, quote part number shown in brackets

continued



# CONTROL BOXES, CUTOUTS AND REGULATORS



## DETAILED SPARE PARTS

Part No. . . . .	†37259A/B	37264A	37264B	37277A	37277B/E	†37279A	37280A	37283A/B
Model . . . . .	RB310	RB106/2	RB106/2	RB310	RB310	RB310	RB106S/2	RB106/2
Voltage . . . . .	12	12	12	12	12	12	12	12
Replaced by (see footnote)	(37315)	—	—	—	—	(37299)	—	—
§Cover, regulator or cutout . . . . .	335610	391600	391600	335774	54380176	335610	391600	391600
§Clip or screw, cover fixing . . . . .	335544	334906	334906	335544	198886	335544	334906	334906
Tube, insulating, cover fixing screw . . . . .	857685	—	—	857685	—	857685	—	—
§Gasket, cover sealing . . . . .	335563	—	—	335563	226479	335563	—	—
§Contact set, cutout . . . . .	335766	335767	335767	335766	335766	335766	335767	335767
Screw, cutout adjusting . . . . .	390794	390794	54380161	390794	390794	390794	390794	390794
Nut, cutout adjusting screw . . . . .	390529	390529	—	390529	390529	390529	390529	390529
§Contact set, voltage regulator . . . . .	335765	226339	226339	226402	226402	335765	226339	226339
§Contact set, current regulator . . . . .	335764	—	—	335764	335764	335764	—	—
Screw, current and voltage regulator adjusting . . . . .	—	—	—	—	54380161	54380161	—	—
Spring, adjusting screw . . . . .	—	—	54380088	—	54380088	54380088	—	—
§Resistance, points (see page C15) . . . . .	54380858	54380281	54380281	54380858	54380858	54380858	334976	334977
§Resistance, field (see page C15) . . . . .	—	—	—	226307	226307	—	—	—
Grommet and ferrule, mounting . . . . .	335526	—	—	335526	335526	335526	—	—
Condenser and clip . . . . .	—	—	—	—	—	—	484264	—
Screw, condenser fixing . . . . .	—	—	—	—	—	—	126589	—
§Choke assembly . . . . .	—	—	—	—	—	—	54380190	—
Nut, choke fixing . . . . .	—	—	—	—	—	—	166160	—
Washer, plain, choke fixing nut . . . . .	—	—	—	—	—	—	128013	—
Washer, spring, choke fixing nut . . . . .	—	—	—	—	—	—	185002	—
§Screw, terminal . . . . .	126490	121610	121610	126490	54127518	—	121610	—
Washer, terminal screw . . . . .	185040	—	—	185040	185040	—	†185038	—

Part No. . . . .	37283D/E	37290A/B	37290D/E	37296A	37297A/B	37298A/B	37299A/B	37301A/D
Model . . . . .	RB106/2	RB106/2	RB106/2	2TR	RB310	RB310	RB310	RB310
Voltage . . . . .	12	12	12	12	12	12	12	12
§Cover, regulator or cutout . . . . .	391600	391600	391600	54380971	54380178	54380178	54380178	54380178
§Clip or screw, cover fixing . . . . .	334906	334906	334906	—	198886	198886	198886	198886
§Gasket, cover sealing . . . . .	—	—	—	54380341	226479	226479	226479	226479
§Contact set, cutout . . . . .	335767	335767	335767	—	335766	335766	335766	335766
Screw, cutout adjusting . . . . .	54380161	390794	—	—	390794	390794	390794	390794
Nut, cutout adjusting screw . . . . .	—	390529	—	—	390529	390529	390529	390529
§Contact set, voltage regulator . . . . .	226339	226339	226339	—	335765	335765	335765	226402
§Contact set, current regulator . . . . .	—	—	—	54381111	335764	335764	335764	335764
Screw, current and voltage regulator adjusting . . . . .	—	—	—	—	54380161	54380161	54380161	54380161
Spring, adjusting screw . . . . .	54380088	—	54380088	54380088	54380088	54380088	54380088	54380088
§Resistance, points, (see page C15) . . . . .	54380858	334977	54380858	—	54380858	54380858	54380858	54380858
§Resistance, field (see page C15) . . . . .	—	—	—	—	—	—	—	226307
Grommet and ferrule, mounting . . . . .	—	—	—	335526	335526	335526	335526	335526
§Screw, terminal . . . . .	—	—	—	—	54127518	54127518	—	54127518

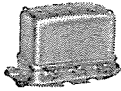
Part No. . . . .	37303A/B	37304A/B	37305A/B	37307A/B	37308A/B	37315A/D	37323A	37332A
Model . . . . .	RB310	RB310	RB310	RB310	RB310	RB310	RB310	RB310
Voltage . . . . .	12	12	12	12	12	12	12	12
§Cover, regulator or cutout . . . . .	54380178	54380178	54380178	54380178	54380178	54380178	54380178	54380178
§Clip or screw, cover fixing . . . . .	198886	198886	198886	198886	198886	198886	198886	198886
§Gasket, cover sealing . . . . .	226479	226479	226479	226479	226479	226479	226479	226479
§Contact set, cutout . . . . .	335766	335766	335766	335766	335766	335766	335766	335766
Screw, cutout adjusting . . . . .	390794	390794	390794	390794	390794	390794	390794	390794
Nut, cutout adjusting screw . . . . .	390529	390529	390529	390529	390529	390529	390529	390529
§Contact set, voltage regulator . . . . .	335765	335765	226402	335765	226402	335765	226402	335765
§Contact set, current regulator . . . . .	335764	335764	335764	335764	335764	335764	335764	335764
Screw, current and voltage regulator adjusting . . . . .	54380161	54380161	54380161	54380161	54380161	54380161	54380161	54380161
Spring, adjusting screw . . . . .	54380088	54380088	54380088	54380088	54380088	54380088	54380088	54380088
§Resistance, points (see page C15) . . . . .	54380858	54380858	54380858	54380858	54380858	54380858	54380858	54380858
§Resistance, field (see page C15) . . . . .	—	—	226307	—	226307	—	226307	—
Grommet and ferrule, mounting . . . . .	335526	335526	335526	335526	335526	335526	335526	335526
§Screw, terminal . . . . .	54127518	—	54127518	54127518	54127518	54127518	—	54127518

For illustrations, see pages C2-C3

Note. For replacement spare parts, see appropriate column under part number  
 † When ordering, quote part number shown in brackets ‡ Washer, condenser fixing screw

§ Recommended spares for stock

continued



# JUNCTION BOXES AND TERMINAL BLOCKS

## CONTROL BOXES—continued

## DETAILED SPARE PARTS

Part No.	37341A	332151	†332179	†332195	†332202	332203	†334551	336212
Model	RB310	CFR2	CFR2	CFR2	CFR2	CFR2	RF91	CJR3
Voltage	12	6	6	6	12	12	6	6
Replaced by (see footnote)	—	—	(332151)	(332151)	(332203)	—	(37081)	—
§Cover, regulator or cutout	54381184	332153	332153	332153	332153	332153	334553	337936
§Cover, fuse	—	—	—	—	—	—	—	336022
§Clip or screw, cover fixing	198886	332168	332168	332168	332168	332168	334561	337937
§Gasket, cover sealing	226479	—	—	—	—	—	—	—
§Cutout	—	339203	339203	339203	339211	339211	—	339248
§ Contact set, cutout	335766	—	—	—	—	—	391347	—
Screw, cutout adjusting	390794	—	—	—	—	—	—	—
Nut, cutout adjusting screw	390529	—	—	—	—	—	—	—
§ Contact set, voltage regulator	226402	—	—	—	—	—	391346	—
§ Contact set, current regulator	335764	—	—	—	—	—	—	—
Screw, current and voltage regulator adjusting	54380161	—	—	—	—	—	—	—
Spring, adjusting screw	54380088	—	—	—	—	—	—	—
§Resistance, points (see page C15)	54380858	332178	332178	332200	332200	332201	334976	332200
§Resistance, field (see page C15)	226307	—	—	—	—	—	—	—
Grommet and ferrule, mounting	335526	—	—	—	—	—	—	—
Screw, regulator fixing	—	—	—	—	—	—	126544	—
§Screw, terminal	—	121610	121610	121610	121610	121610	121610	121610
§Fuse, 25 amp. (see page C12)	—	188216	188216	188216	188216	188216	188216	188216
§Fuse, 4.5 amp. (see page C12)	—	—	—	188230	188230	—	—	188230
§Fuse, 3 amp. (see page C12)	—	—	—	—	—	188227	—	—
§Fuse, 6 amp. (see page C12)	—	188232	188232	—	—	—	—	—

For illustrations, see pages C2-C3

## JUNCTION BOXES DETAILED SPARE PARTS

Part No.	Model	Number of Terminals	Outside Diameter	Distance between fixing holes	Cover and Screw	Screw, Terminal
*78246A	4J	4	2"	$\frac{15}{16}$ "	§770058	§121610
78264A	4J	4	2"	$\frac{15}{16}$ "	§770058	§121610
78265A	2J	2	$1\frac{9}{16}$ "	$\frac{15}{16}$ "	§770085	§121610
78266A	6J	6	$2\frac{11}{32}$ "	$\frac{15}{16}$ "	§770032	§121610
*78287A	2J	2	$1\frac{9}{16}$ "	$\frac{15}{16}$ "	§770085	§121610

## TERMINAL BLOCKS AND CONNECTORS

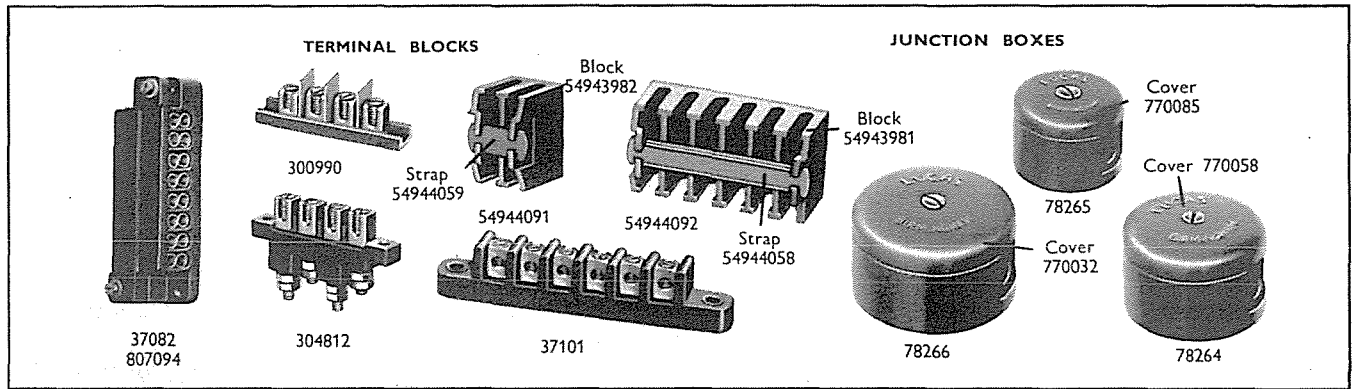
### Descriptive Reference

Part No.	Model	Special Features	Overall Length	Distance between fixing hole centres
37082	TB8	8-way snap connectors; 2-hole fixing	$3\frac{1}{4}$ "	$2\frac{7}{8}$ "
37101	TB6	6 terminals; 2-hole fixing	$4\frac{3}{8}$ "	$3\frac{13}{16}$ "
300990	TB4	4 terminals; 2-hole fixing	$2\frac{1}{4}$ "	$1\frac{15}{16}$ "
304812	—	4 terminals; 2-hole fixing	$2\frac{7}{16}$ "	$2\frac{1}{16}$ "
*354021	JS1	4 terminals; 2-hole fixing	$3\frac{13}{16}$ "	$3\frac{1}{4}$ "
807094	—	8-way snap connectors; moulding marked for connections	—	—
54944091	—	2 terminals; 2-hole fixing	$\frac{13}{16}$ "	$\frac{7}{16}$ "
54944092	—	6 terminals; 2-hole fixing	$2\frac{11}{16}$ "	$2\frac{3}{16}$ "

For illustrations, see page C11

Note. For replacement spare parts, see appropriate column under part number \* See Supersession Chart  
 † When ordering, quote part number shown in brackets § Recommended spares for stock

# FUSE BOXES



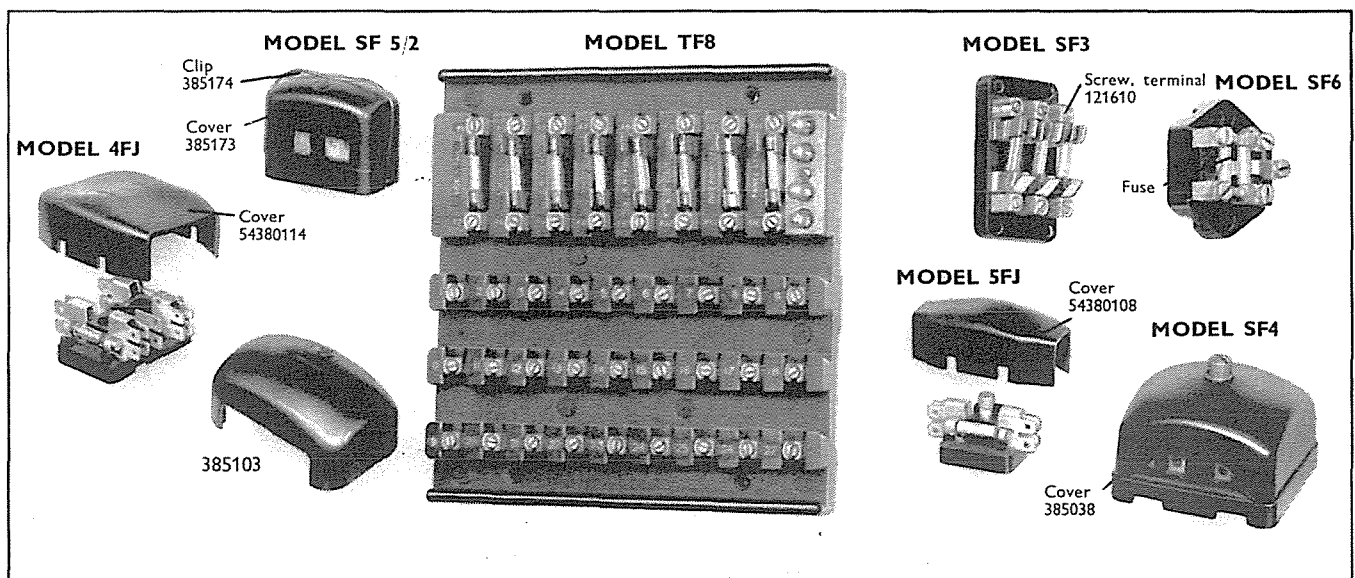
## FUSE BOXES

### Model Interpretation

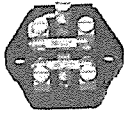
SF3	Rectangular base; three fuses; no cover.	TF8	Terminal board with 8 fuses.
SF4	Square base; four fuses; bakelite cover.	4FJ	Rectangular base; two fuses; polythene cover (when fitted).
SF5/2	Rectangular base; one fuse; bakelite cover.	5FJ	Rectangular base; single fuse; one spare; polythene cover.
SF6	Hexagonal base; two fuses; no cover.		

### Model Reference

Model	Part No.	Model	Part No.	Model	Part No.	Model	Part No.
SF3	37075	SF4	37257	SF5-2	37209	SF6	033273
SF4	37088	SF4	37263	SF5-2	37260	SF6	033277
SF4	37100	SF4	37287	SF6	033239	TF8	37083
SF4	37104	SF4	37322	SF6	033240	4FJ	033282
SF4	37110	SF4	385019	SF6	033241	4FJ	033283
SF4	37134	SF5-2	37107	SF6	033242	4FJ	033285
SF4	37136	SF5-2	37130	SF6	033259	4FJ	54038007
SF4	37137	SF5-2	37131	SF6	033263	5FJ	033287
SF4	37154	SF5-2	37201				



For detailed spare parts, see pages C12-C13



# FUSE BOXES AND FUSES

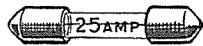
## DETAILED SPARE PARTS

Part No. . . . .	37075A	37083E	*37088A	†37100D	37104A	†37107A	37110A
Model . . . . .	SF3	TF8	D10	SF4	SF4	SF5/2	SF4
Replaced by (see footnote) . . . . .	—	—	—	(37110)	—	(37260)	—
§Cover . . . . .	—	—	—	385038	385038	385173	385038
§Clip, cover fixing . . . . .	—	—	—	—	—	385174	—
§Fuse, 5 amp. . . . .	—	—	—	—	188206	—	—
§Fuse, 25 amp. . . . .	188216	188216	188216	—	—	—	—
§Fuse, 35 amp. . . . .	—	—	—	188218	—	—	188218
§Fuse, 50 amp. . . . .	—	—	—	—	—	188219	—
§Screw, grub, terminal . . . . .	121610	121610	121610	121610	121610	121610	121610

Part No. . . . .	†37130A	†37131A	37134A	†37136A	†37137A	†37154A
Model . . . . .	SF5/2	SF5/2	SF4	SF4	SF4	SF4
Replaced by (see footnote) . . . . .	(37260)	(37260)	—	(37110)	(37110)	(37134)
§Cover . . . . .	385173	385173	385038	—	385038	385038
§Clip, cover fixing . . . . .	385174	385174	—	—	—	—
§Fuse, 25 amp. . . . .	188216	—	—	—	188216	188216
§Fuse, 35 amp. . . . .	—	188218	188218	188218	—	—
§Fuse, 50 amp. . . . .	—	—	188219	—	—	188219
§Screw, grub, terminal . . . . .	121610	121610	121610	121610	121610	121610

Part No. . . . .	†37201A	†37209A	37257A	37260A	37263A/B	37287A	37322A
Model . . . . .	SF5/2	SF5/2	SF4	SF5/2	SF4	SF4	SF4
Replaced by (see footnote) . . . . .	(37260)	(37260)	—	—	—	—	—
§Cover . . . . .	385173	385173	385038	385173	—	385038	385038
§Clip, cover fixing . . . . .	385174	385174	—	385174	—	—	—
§Fuse, 10 amp. . . . .	188211	—	—	—	—	—	—
§Fuse, 25 amp. . . . .	—	—	188216	—	—	188216	—
§Fuse, 35 amp. . . . .	—	—	188218	—	188218	—	188218
§Fuse, 50 amp. . . . .	—	—	—	—	188219	188219	188219
§Fuse, 60 amp. . . . .	—	188222	—	—	—	—	—
§Screw, grub, terminal . . . . .	121610	121610	121610	121610	121610	121610	121610

For illustrations, see page C11



Cartridge Type Fuse

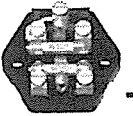
## FUSES

Rated amps.	Length of Fuse	Part No.	Fusing Current		Identity Colour
			Instantaneous amps.	Prolonged amps.	
3	1"	188227	3.5	3	Blue
4.5	1"	188230	5	4.5	Yellow
5	1 1/4"	188206	6	5	Red on Yellow
6	1"	188232	7	6	Green
8	1"	188234	10	8	Nut Brown
10	1"	188235	12	10	Red on Green
10	1 1/2"	188211	12	10	Green on Black
12	1 1/2"	188236	14	12	Red on Brown
15	1 1/2"	188220	18	15	Light Brown
25	1 1/2"	188216	30	25	Pink
35	1 1/2"	188218	40	35	White
50	1 1/2"	188219	60	50	Purple on Yellow
60	1 1/2"	188222	75	60	Yellow on Red

The current capacity of cartridge fuses is half the rated value.

Note. For replacement spare parts, see appropriate column under part number \* See Supersession Chart  
 † When ordering, quote part number shown in brackets § Recommended spares for stock

# FUSE BOXES AND RELAYS



## DETAILED SPARE PARTS

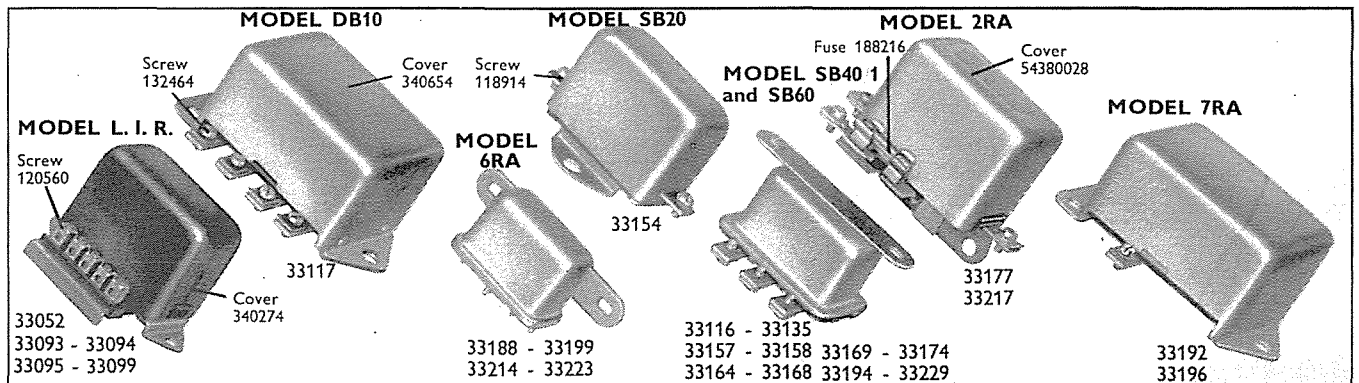
Part No. . . . .	033239	033240	†033241	033242	033259	033263
Model . . . . .	SF6	SF6	SF6	SF6	SF6	SF6
Replaced by (see footnote) . . . . .	—	—	(033240)	—	—	—
§Fuse, 15 amp. . . . .	—	—	—	—	188220	—
§Fuse, 25 amp. . . . .	—	—	—	—	—	188216
§Fuse, 35 amp. . . . .	188218	188218	188218	—	—	—
§Fuse, 50 amp. . . . .	—	188219	—	188219	—	—
§Fuse, 60 amp. . . . .	—	—	188222	—	—	—
§Screw, grub, terminal . . . . .	121610	121610	121610	121610	121610	121610

Part No. . . . .	033273	033277	033282	033283	033285	033287
Model . . . . .	SF6	SF6	4FJ	4FJ	4FJ	5FJ
Replaced by (see footnote) . . . . .	—	—	—	—	—	—
§Cover . . . . .	—	—	—	54380114	54380114	54380108
§Fuse, 10 amp. . . . .	188211	—	—	—	—	—
§Fuse, 35 amp. . . . .	—	188218	188218	188218	188218	188218
§Fuse, 50 amp. . . . .	—	—	—	—	188219	—
§Screw, grub, terminal . . . . .	121610	121610	120560	120560	120560	—

Part No. . . . .	†385019	†385175	†385184	†385200	†385211	†385221	†54038007
Model . . . . .	SF4	SF5/2	SF5/2	SF5/2	SF5/2	SF4	4FJ
Replaced by (see footnote) . . . . .	(37110)	(37260)	(37260)	(37260)	(37260)	(37110)	(033285)
§Cover . . . . .	385038	385173	385173	385173	385173	385038	54380114
§Clip, cover fixing . . . . .	—	385174	385174	385174	385174	—	—
§Fuse, 10 amp. . . . .	—	—	—	188211	—	—	—
§Fuse, 25 amp. . . . .	188216	188216	—	—	—	188216	—
§Fuse, 35 amp. . . . .	—	—	188218	—	—	—	188218
§Fuse, 50 amp. . . . .	—	—	—	—	—	—	188219
§Screw, grub, terminal . . . . .	121610	121610	121610	121610	121610	121610	122636

For illustrations, see page C11

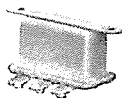
## RELAYS



For detailed spare parts, see page C14

Note. For replacement spare parts, see appropriate column under part number  
 ‡ Five figure number allocated § Recommended spares for stock

† When ordering, quote part number shown in brackets



# RELAYS

## Model Interpretation

DB10 Double bobbin.	7RA Single bobbin, mounted horizontal to base.	SB40/1 Single bobbin, strap fixing.
2RA Single bobbin, with fuse.	SB20 Single bobbin, base fixing.	SB60 Single bobbin (later design).
6RA Single bobbin, Lucar connectors.	SB40 Single bobbin (later design).	L.I.R. Lamp Indicator Relay.

## Descriptive Reference

Part No.	Model	Voltage	Special Features	Used with
33052B	L.I.R.	12	2-hole flange fixing; 4 terminals	Side lamp
33093A	L.I.R.	12	2-hole flange fixing; 5 terminals marked C1, C2, C3, W1 and W2	Foglamp
33094A	L.I.R.	12	2-hole flange fixing; 5 terminals marked C1, C2, C3, W1 and W2	Gear change equipment
33095A	L.I.R.	12	2-hole flange fixing; 5 terminals marked C1, C2, C3, W1 and W2	Gear change equipment
33099A	L.I.R.	12	2-hole flange fixing; 5 terminals marked C1, C2, C3, W1 and W2	Starting motor (field exciter)
33116B	SB40/1	12	2-hole strap fixing; 3 terminals marked C1, C2 and W	W.T. horns and pre-selector gear
33117A/D	DB10	12	4-hole flange fixing; 8 terminals	Flasher
33135B	SB40/1	12	2-hole strap fixing; 4 terminals	W.T. horns
33139A/B	SB40	12	2-hole flange fixing; 3 terminals marked C1, C2 and W	W.T. horns
33154A	SB20	6	2-hole flange fixing; 2 terminals (one marked BATT)	Cutout
33157A	SB40/1	12	2-hole strap fixing; 4 terminals marked C1, C2, W1 and W2 (cover marked OVERDRIVE)	Overdrive
33158A/B	SB60	12	Double contact for overdrive controls	Overdrive
33164A	SB40/1	24	2-hole strap fixing; 3 terminals marked C1, C2 and W1	W.T. horns
33168A/B	SB40/1	12	2-hole strap fixing; 5 terminals marked C1, C2, C3, W1 and W2	Solenoid
33169A/B	SB40/1	12	2-hole strap fixing; 4 terminals marked C2, C3, W1 and W2	Foglamp
33174A/B	SB60	12	2-hole strap fixing; 5 terminals marked C1, C2, C4, W1 and W2	Borg Warner overdrive
33177A	2RA	12	2-hole side mounting; 3 terminals marked SW, IGN and SOL	Borg Warner overdrive
†33188A	6RA	12	2-hole strap fixing; 3 terminals marked C1, C2 and W1	W.T. horns with Lucar terminals
33192A	7RA	12	Base fixing; 2 terminals marked S and D	Newton Bennet clutch
33194A	SB40/1	12	2-hole strap fixing; 4 terminals marked C2, C3, W1 and W2	Automatic aerial
33196A	7RA	12	Base fixing; 2 terminals marked S and D	Newton Bennet clutch
33205A	SB60	12	2-hole strap fixing; 5 terminals marked C1, C2, C4, W1 and W2	Overdrive
†33209A/B	6RA	12	2-hole strap fixing; 4 terminals marked C1, C2, W1 and W2	W.T. horns, with Lucar terminals
†33213A/B	6RA	12	2-hole strap fixing; 4 terminals marked C1, C2, W1 and W2	Overdrive, with Lucar terminals
†33214A	6RA	12	2-hole strap fixing; 3 terminals marked C1, C2 and W1	W.T. horns with Lucar terminals
†33216A/B	6RA	24	2-hole strap fixing; 4 terminals marked C1, C1, C2 and W1	W.T. horns, with Lucar terminals
33217A	2RA	12	2-hole side mounting; 3 terminals marked SW, IGN and SOL	Borg Warner overdrive
†33223A	6RA	12	2-hole strap fixing; 4 terminals marked C2, C3, W1 and W2	Driving lamp
33226A/B	SB40/1	12	2-hole strap fixing; 4 terminals marked C2, C3, W1 and W2	Rear window demister
33229A	SB40/1	12	2-hole strap fixing; 4 terminals	CA45 starting motor

## DETAILED SPARE PARTS

Part No.	33052B	33093A	33094A	33095A	33099A	†33116A/B	33117A/D	33135B
Model	L.I.R.	L.I.R.	L.I.R.	L.I.R.	L.I.R.	SB40/1	DB10	SB40/1
Voltage	12	12	12	12	12	12	12	12
Replaced by (see footnote)	—	—	—	—	—	(33188)	—	—
Cover	340274	340274	340274	340274	340274	—	340654	—
§Screw, terminal	120560	120560	120560	120560	120560	132464	132464	132464
§Washer, terminal screw	—	—	—	—	—	188412	188412	188412
§Fuse, 25 amp.	—	—	—	—	—	—	—	—

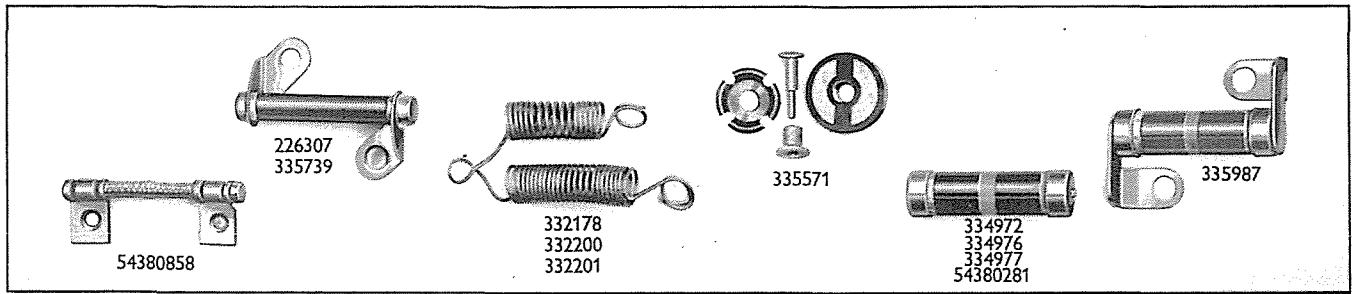
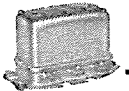
Part No.	†33139A	33154A	33157A/D	33158A/B	†33164A	33168A/B	†33169A/B	33174A/B
Model	SB40	SB20	SB40/1	SB60	SB40/1	SB40/1	SB40/1	SB60
Voltage	12	6	12	12	24	12	12	12
Replaced by (see footnote)	(33188)	—	—	—	(33216)	—	(33223)	—
Cover	—	340274	—	—	—	—	—	—
§Screw, terminal	132464	118914	132464	132464	132464	132464	132464	132464
§Washer, terminal screw	188412	185037	188412	188412	188412	188412	188412	188412
§Fuse, 25 amp.	—	—	—	—	—	—	—	—

Part No.	33177A	33192A	33194A/B	33196A	33205A	33217A/B	33226A/B	33229A
Model	2RA	7RA	SB40/1	7RA	SB60	2RA	SB40/1	SB40/1
Voltage	—	12	12	12	12	12	12	12
Cover	54380028	—	—	—	—	54380028	—	—
§Screw, terminal	132464	132464	132464	132464	132464	—	132464	132464
§Washer, terminal screw	185000	185000	188412	185000	188412	—	188412	188412
§Fuse, 25 amp.	188216	—	—	—	—	188216	—	—
Capacitor	—	—	—	—	54380035	—	—	—

For illustrations, see page C13

Note. For replacement Relay spare parts, see appropriate column under part number. † When ordering, quote part number shown in brackets  
 ‡ Model 6RA Relays—Part Nos. 33188A, 33209A/B, 33213A/B, 33214A, 33216A and 33223A, have no spare parts § Recommended spares for stock

# RESISTANCES



## RESISTANCES, CUTOUT

Cutout		Resistance Part No.	Winter Circuit (ohms)	Summer Circuit (additional ohms)	Total Summer Resistance (ohms)
Model	Part No.				
CFR2	332151	332178	0.75 - 0.8	1.15 - 1.3	1.9 - 2.1
CFR2	*332179	332178	0.75 - 0.8	1.15 - 1.3	1.9 - 2.1
CFR2	332195	332200	1.40 - 1.5	1.30 - 1.4	2.7 - 2.9
CFR2	332202	332200	1.40 - 1.5	1.30 - 1.4	2.7 - 2.9
CFR2	332203	332201	2.20 - 2.3	4.80 - 5.2	7.0 - 7.5
CJR3	33027A	332200	1.40 - 1.5	1.30 - 1.4	2.7 - 2.9
CJR3	336212	332200	1.40 - 1.5	1.30 - 1.4	2.7 - 2.9

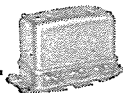
## RESISTANCES, CONTROL BOX

Control Box	Resistance Part No.	Ohms	Control Box	Resistance Part No.	Ohms	Control Box	Resistance Part No.	Ohms
<b>RF91 Models</b>			<b>RF95 Models</b>			<b>RB106 Models</b>		
37002	334977	63	37057	334977	63	37138	334977	63
37003	334977	63	37062	334976	38	37139	334977	63
37030	334977	63	37065	334977	63	37166	334977	63
37031	334977	63	37067	334972	150	37172	334977	63
37032	334977	63	37076	334977	63	37178	334977	63
37033	334976	38	37078	334977	63	37182A/J	334977	63
37034	334976	38	37079	334976	38	37182K	54380858	60
37050	334976	38	37080	334976	38	37183A/K	334977	63
37055	334977	63	37081	334976	38	37183L	54380858	60
37056	334976	38	37092	334976	38	37206A/J	334977	63
37058	334976	38	37093	334976	38	37206K	54380858	60
37063	334976	38	37105	334976	38	37216	334976	38
334551	334976	38	37148	334977	63	37217A/E	334977	63
<b>RFJ91 Models</b>			<b>RF96 Models</b>			37217F	54380858	60
37036	334977	63	37035	334976	38	37219	334977	63
37046	334977	63	37048	334977	63	37220	334977	63
<b>MCR2 Models</b>			37052	334977	63	37247	334976	38
37097	†335571	36 - 45	37054	334976	38	37248	334976	38
37144	†335571	36 - 45	37066	334977	63	37264	54380281	28 - 35
<b>RF92 Model</b>			37089	334972	150	37280	334976	38
37099	334976	38	37098	334977	63	37283A/B	334977	63
<b>RB107 Model</b>			37102	334976	38	37283D	54380858	60
37127	†335571	36 - 45	37116	334976	38	37290A/B	334977	63
<b>RB108 Model</b>			37118	334977	63	37290D/E	54380858	60
37225	†335571	36 - 45	37190	334976	38			

Control Box	Points Resistance		Field Resistance		Control Box	Points Resistance		Field Resistance	
	Part No.	Ohms	Part No.	Ohms		Part No.	Ohms	Part No.	Ohms
<b>RB310 Models</b>					<b>RB310 Models—cont'd</b>				
37187	335987	60 - 75	—	—	37297	54380858	60	—	—
37189	335987	60 - 75	—	—	37298	54380858	60	—	—
37195A/F	335739	150	226307	36 - 45	37299	54380858	60	—	—
37195H/L	335987	60 - 75	226307	36 - 45	37301	54380858	60	226307	36 - 45
37195M	54380858	60	226307	36 - 45	37303	54380858	60	—	—
37204	335987	60 - 75	—	—	37304	54380858	60	—	—
37207	335987	60 - 75	—	—	37305	54380858	60	226307	36 - 45
37226	335987	60 - 75	226307	36 - 45	37307	54380858	60	—	—
37259	335987	60 - 75	—	—	37308	54380858	60	226307	36 - 45
37277B/D	335987	60 - 75	226307	36 - 45	37315	54380858	60	—	—
37277E	54380858	60	226307	36 - 45	37323	54380858	60	226307	36 - 45
37279	335987	60 - 75	—	—	37332	54380858	60	—	—

\* See Supersession Chart

† Export only



# CONTROL BOXES, FUSE BOXES, JUNCTION BOXES, TERMINAL BLOCKS & RELAYS

## VEHICLE APPLICATION REFERENCE

### CONTROL BOXES

#### 37046 RJF91

Daimler 2½ litre Models (except 'Consort') 1946-49.  
Jaguar 1½, 2½ and 3½ litre 1946-47.

#### 37057 RF95/3

Alvis 14 1946-48.  
Armstrong Siddeley 'Hurricane' and 'Lancaster' 1946-48; 'Typhoon' 1948.  
Austin 10 and 12 1946-47; 16 1946-48.  
Bristol 2 litre 1947-48.  
Citroen 23 1946-55; 15 1946-50.  
Commer 8 cwt. Van and 15/25 cwt. 1947-48; 2, 3, 4 and 5 ton 1946-47.  
Daimler 27 and 36 Limousine 1946-48.  
Dodge 61C, 100C and 122C (12 volt) 1947-48.  
Hillman 'Minx' All Models 1946-48.  
H.R.G. 9 and 12 1946-52.  
Humber 'Hawk' 1946-48; 'Imperial' and 'Pullman' 1946-47; 'Snipe' 1946; 'Super Snipe' 1946-47.  
Jaguar 1½ litre Saloon 1948.  
Jensen 3½ litre 1946-47; 4 litre 1950; 6 ton 'JNSN' 1946-47.  
Karrier 'Bantam' 1946-47; 'Cob' 1947; CK3 1946-47.  
Lanchester 10 1946-51.  
Lea Francis 14 1946-48.  
M.G. 1½ litre 1947-49; 'Midget' 1946-49.  
Morgan 'Plus Four' and 'Four-Four' 1949-50.  
Morris 10 1946-48; 'Oxford' Taxi and Hire Car 1947-48; 10 cwt. 1948-50.  
Morris Commercial 15/20 cwt. 1946-50; 25/30 cwt. 1946-49; 25/35 cwt. 1946; 35/40, 45/55 and 60/70 cwt., 5 ton FC Tipper and ECV 13/3 1946-47; CV Ambulance 1947; CV13/5, CV10/5 and CV11/40 1947-48.  
Riley 1½ litre 1946-50.  
Singer 9 and 10 1946-49; 12 1946.  
Standard 12 and 14 1946-48.  
Sunbeam-Talbot 10 and 2 litre 1946-47; '80' 1948-49.  
Triumph '1800' 1946-48.  
Trojan 15/20 cwt. (Petrol) 1946-49.  
Vauxhall 14 1946-48.  
Wolseley 14 and 18 1946-47; 25 1948; 10 and 12 1946-48.

#### 37062 RF95/3

Barrett, W. & F. Invalid Carriage 1952-54.  
Reliant 3-wheeler 1946-47 and 1951-54; 'Regal' Car 1953-56; 5 cwt. Van 1955-56; 6 cwt. Van and Truck 1954-55.  
Standard 8 1946-48.

#### 37065 RF95/3

A.C. 16 Saloon 1948-57.  
A.F.N. 'Le Mans' and 'Mille Miglia' 1951-54.  
Allard 16 1947-49; 'J', 'K', 'L', 'M' and 'P' Models 1949-51; 'P2' Model 1952.  
Alvis All Models 1949-54.  
Armstrong Siddeley All Models 1949-52; 'Whitley' Saloon 1953.  
Aston Martin 2 litre 1947-50.  
Austin A40 All Models 1948-51; A70 1948-50; A90 1949-52; 125 Limousine 1952-54; Ambulance (DA1) and Hearse (DH1) 1952-55; Taxi 1948-58; Hire Car 1950-58; 2 and 3 ton 1946-48; 2 and 5 ton Trucks 1949-50; 2/5 ton Petrol Tanker 1946-55.  
Bedford 10/12 cwt. Van 1948-52; All Petrol Models 1951-52.  
Bristol All Models 1949-54.  
Citroen 15 1951-52.  
Commer 8 cwt. Van 1949-51; Estate Car 1949; 25 cwt. Forward Control 1946 and 1948-52; Medium Pick-up Truck 1951-52; 25 cwt., 2/3 and 3/4 ton 'Superpoise' 1949-52; 4/5 ton 1949-51; 5 ton 'Superpoise' 'Commando' (Petrol) 1950-52; 5 and 7 ton Forward Control 1949-52; 6½ and 7 ton 1949-50; 8 ton Tractor Trailer 1950.  
Daimler 2½ litre and 'Consort' 1950-53.  
Dodge All Models 1948-52.  
Healey All Models 1948-54.  
Hillman 'Minx' (later) 1948-51.  
H.R.G. 9 and 12 1949-50.  
Humber 'Hawk' 1949-52; 'Imperial', 'Super Snipe' and 'Pullman' 1948-52.  
Jaguar 2½ litre 1948-51; 3½ litre 1948-50; XK120 1949-54.  
Jensen 4 litre 1951-52.  
Jowett 'Javelin' and 'Javelin' De Luxe 1948-51; 'Jupiter', 'Bradford' Van, De Luxe Van and Utility 1951-52.  
Karrier 'Bantam' and CK3 1948-52; 'Cob' 1948.  
Lea Francis 14 1949-54; 1½ litre 1949; 18 and 2½ litre 1950-54.

#### 37065 RF95/3—continued

Meynell 'Cub', 'Vixen' and 'Flying Fox' 1952.  
M.G. 1½ litre and 'Midget' 1950-52.  
Morris 'Minor', 'Oxford' and 'Six' 1948-52; 'Cowley' Van and Pick-up Truck 1950-52; 'Oxford' Taxi and Hire Car 1949-51; 10 cwt. Van 1946-47.  
Morris Commercial 15/20 cwt. PV, NVS, NVO and Petrol Tanker 1951-52; 25/30 cwt. LC3 1950-52; 30 cwt. LC4 and LC5 1953-54; 35/40, 45/55, 60/70 cwt., 5 ton FC Tipper and ECV 13/3 1948; CV Ambulance 1948-51; CVF 13/5 and CV10/5 1946; CV11/40 1946 and 1950-51; ECV13/5 and ECV013/5 1949; FVO 1949-53; FVSO (Home) 1954; FVO (Export) and FV 1949-52; NV 1954; 10 cwt. 'J' Van 1949-54.  
Paramount Roadster and Coupé 1951.  
Reliant 10 cwt. Van 1951-56.  
Riley 1½ litre 1951-52; 2½ litre 1947-52.  
Rover 10, 12, 14 and 16 1946-47; '60' 1948-49; '75' 1948-51; 'Landrover' 1951-52.  
Singer 9 1950-51; 12 1947-49; 'SM1500' 1949-51.  
Standard 'Vanguard' and 12 cwt. Models 1948-51.  
Sunbeam 'Alpine' 1953-54.  
Sunbeam-Talbot '80' 1950; '90' 1948-54.  
Triumph '2000' 1949; 'Renown' 1950-52.  
Trojan 15/20 cwt. (Petrol) 1950-53; 15/20 cwt. (Diesel) 1954.  
Vauxhall 'Wyvern' and 'Velox' 1948-52.  
Wolseley 14 and 18 1948; 'Six Eighty' and 'Four Fifty' 1949-52.

#### 37081 RF95/3

Austin 8 All Models 1946-47.  
Barrett, W. & F. Invalid Carriage 1951.  
Bedford 5/6 and 10/12 cwt. Van 1946-47; 30 cwt., 2/3 and 3/4 ton Trucks 1948-50; 5 ton Truck and Scammell Tractor (later) 1948-50; Ambulance 1949-50.  
Commer 8 cwt. Van 1946.  
Jowett 'Bradford' Van 1946-50; De Luxe Van and Utility 1949-50.  
Lloyd '650' 1948-50.  
Morris 8 1946-48; 5 cwt. Van (Export) 1948-53.  
Reliant 3-wheeler 1948-50.  
Vauxhall 10 and 12 1946-47.  
Wolseley 8 1946-48.

#### 37092 RF95/3

Invicta 3 litre 'Black Prince' 1948-49.

#### 37093 RF95/3

Dodge All Models 1947.

#### 37097 MCR2

Allard 'Clipper' 3-wheeler 1955.  
Encon Motors 'Clipper' 1954.  
Wessex Delivery Van 1952-55.

#### 37105 RF95/3

Aston Martin DB2 1951-52.  
Daimler 27 and 36 Limousine 1949-53.  
Lagonda 2½ litre 1949-52.

#### 37182 RB106/2

A.C. 16 1952-57; 'Petite' 1953-57; 'Ace' Sports 1955-60.  
Alfa Romeo 'Giulietta' Models (750C 1955-60; 750B and 'Spyder' 1956-60, t.i. 753 1958-60); T10 Van 1956-60.  
Allard 21C and 21Z 1953-54.  
Austin A30 1952-56; A35 1957-59; A40 1951-56; A50 1955-57; A40 1959; A55 All Models 1958-59; Austin-Healey 'Sprite' 1958-60; 'Metropolitan' 1957-59; LD1A and LD2A 1955-60; Light 2 ton 1958-59; 25 cwt. Van and Ambulance 1948-49; 2 and 3 ton Series II (Diesel) 1955; Series III Trucks and Tanker (Diesel) 1956-60; Series III Trucks and Tanker (Petrol) 1957-60; Series IVFF 1959-60; 10 cwt. Van 1958-60; 152 Range 1957-59; 'Gipsy' 1958-60; 301 Range (except 301 FC) 1957-60.  
Bedford 1/6 ton Normal Control (Petrol) 1953; K, OSA-OLA, OSB-OLB, MS-ML and OSS (later) 1952-53; CA Van 1953-56; 'S' Type (later) 1952-56.  
Bristol '404' and '405' 1955.  
Citroen 15 (later) 1952-55.  
Commer 8 cwt. Van (later) 1951-52; 'Express' Delivery Van and Pick-up Truck 1953-60; 'Cob' 1957-60; 25 cwt. Forward Control 1952-56; 1½/1 ton Forward Control 1956-60; 1 ton Forward Control 1959-60; 25 cwt. and ¾/1½ ton 'Superpoise' 1952-60; Medium Pick-up Truck 1952-60; 2/5 ton (Petrol) and 6 ton (Petrol and Diesel) 'Superpoise' 1959-60.

#### 37182 RB106/2—continued

Daimler 'Conquest' 1954-58; DC27 Ambulance 1949.  
Elva 'Courier' (B.M.C. 1,500 c.c. Engine) 1959-60.  
Frazer Nash 'Mille Miglia', 'Targa Florio' and 'Sebring Hard Top' 1955.  
Hillman 'Minx' 1951-59; 'Husky' 1955-60.  
Humber 'Hawk' 1952-60.  
Jensen 'Jen-Tug' (later) 1952-54; 'Tempo 1500' 1958-60.  
Jowett 'Javelin' and 'Javelin' De Luxe (later) 1951-54; 'Bradford' Van 1953-54.  
Karrier 'Bantam' (later) 1952-54 and 1957-60; 'Bantam' (Petrol) 1955-56.  
Lanchester 14 1952-53; 'Sprite' 1955-56.  
Layton 'Jomar' (Ford Engine) 1959-60.  
Lotus Mk. VII and Mk. VIII 1958; Mk. IX 1958-59; Mk. VII Series II (Ford 100E Engine) 1960.  
Meynell 'Cub', 'Vixen' and 'Flying Fox' (later) 1952.  
M.G. 1½ litre (later) 1952-53; 'Midget' 1952-55; MGA 1956-59; MGA 1600 (twin cam) 1960; 'Magnette' 1954-59.  
Morgan 'Plus Four' 1951-59; 'Four-Four' 1956-60.  
Morris 'Minor' and 'Oxford' (later) 1952-59; 'Cowley' Van and Pick-up Truck (later) 1952-53; 'Cowley' Saloon 1955-59; 'Hindustan' 1955-60; Quarter and Half Ton Vans and Pick-up Truck 1954-59.  
Morris Commercial PV and FV (later) 1952-53; 25/30 cwt. LC3 (later) 1952; 30 cwt. LCO5 1956-60; CV Ambulance, CV11/40 and CV9/40 (late) 1951; FVS12/5, NV12/3, NVO12/3, NVS12/3 and NVS13/5 1955; FVS 1954; NV (late) 1954; NVS (late) 1952-54; PP Coach (late) 1951; 10 cwt. and JB Van 1955-60; 'J2' Models 1957-59; LC5, LD1 and LD2 1954-60; LDO1 and LDO2 1960; 3KNC (G.P.O.) 1956-59; Series III (Diesel) 1956; Series III Trucks 1957-60; Series IVFF Trucks 1958-60.  
Nash 'Metropolitan' 1954-59.  
Paramount Roadster and Coupé 1953-54.  
Peerless 'Gran Turismo' 1959-60.  
Reliant 'Regal' Car 1959; 'Regent Four' Van 1959-60.  
Riley 1½ litre (later) 1952-55; 'One-Point-Five' 1958-59.  
Rover '60' 1954-59; 'Landrover' (Petrol) (later) 1952-60.  
Singer 9 (later) 1951; 4AC and 4AD 1952-55; 'SM1500' (late) 1951-54; 'Hunter' 1955-56; 'S' Model 1956; 'Gazelle' 1957-59.  
Standard 'Eight' and 'Ten' 1954-59; 6 cwt. 'Companion' 1956-60; 'Vanguard' 1951-60; 12 cwt. Models (later) 1951-57; 'Pennant' and 'Ensign' 1958-59; 'Atlas' 1959.  
Sunbeam 'Rapier' 1956-59.  
Swallow 'Doretta' 1954-55.  
Triumph 2-seater Sports 1954; TR2 1955-56; TR3 1956-59; 'Mayflower' 1950-53; 'Renown' (later) 1952-54.  
Trojan All Models 1954-58.  
Vauxhall 'Wyvern' and 'Velox' (later) 1952-54.  
Wolseley 'Four Forty-Four' 1953-56; 'Four Fifty' (later) 1952-53; 'Six Ninety' 1955; 'Fifteen Hundred' 1958-59; 'Fifteen Fifty' 1957-59.

#### 37183 RB106/2

Allard All Models (except 'Clipper', '21C' and '21Z') 1952-55; '21C' and '21Z' 1955.  
Alvis 3 litre TC108G 1956-57.  
Armstrong Siddeley All Models (except 'Whitley') 1952-55; 'Sapphire 346' 1956-58; Limousine 1956-59; ½ ton Pick-up Truck (Export only) 1957.  
Aston Martin All Models (later) 1952-58.  
Austin A40 1960; A55 Pick-up Truck and Van 1960; A70 1951-55; A90 and A95 1955-59; A105 1957-59; A125 'Sheerline' 1948-49 and (later) 1952-54; 4 litre 'Princess' (later) 1952-60; Ambulance and Hearse 1956-60; Austin-Healey '100', '100M' and '100 Six' 1954-59; '3000' 1959-60; 'Champ' (Civilian) 1954-56; 25 cwt. Van and Ambulance, LDO1A and LDO2A 1956-60; 2 and 5 ton (Petrol) 1951-55; 3 ton 1955; Series III Trucks (Petrol) 1956; 152 Range 1960.  
Beardmore Taxi 1955-58.  
Bedford 1/6 ton (Diesel) 1953-56.  
Citroen DS19 1956.  
Commer 2/3, ¾ and 5 ton 'Superpoise' 1952-54; 2/5 ton 'Superpoise' (Petrol) 1955-58; 3/5 ton 'Superpoise' (Diesel) 1955-60; 6 ton 'Superpoise' (Diesel) 1959-60; 4, 5 and 6 ton Forward Control 1959-60; 7 ton Forward Control 1952-60; 5 ton Forward Control 1955-58; Fire Tender or Pump Chassis 1952-53.  
Daimler 3 litre 1953; 'Empress', 'Regency', 'Sportsman' and 'Regina' 1955.  
Dodge Petrol Models 1953-60; 12 volt Diesel Models 1951-60.

continued

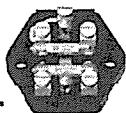




## VEHICLE APPLICATION REFERENCE—continued

### CONTROL BOXES—continued

- 37183 RB106/2—continued**  
 Fairthorpe 'Electron' and 'Electron Minor' 1958.  
 Humber 'Imperial' 1953; 'Pullman' 1953-54; 'Super Snipe' 1952-57.  
 Jaguar 3½ litre (later) 1953-58; Mk. VIII 1957; 2.4 litre 1956-58.  
 Jensen 4 litre 1952-53; Lightweight Commercial 1955.  
 Jowett 'Jupiter' 1952-54.  
 Karrier 'Bantam' (Diesel) 1955-56; CK3 (later) 1952; 'Gamecock' 1953-60; 1¼/1½ ton Passenger 1957-60.  
 Lagonda 2½ litre (later) 1952; 3 litre 1954-58.  
 Lotus Mk. VII Series II (Austin) 1960.  
 Morris 'Minor 1000' 1960; 'Oxford' Taxi and Hire Car (later) 1951; 'Six' (later) 1952-54; 'Isis' 1956-58; Quarter and Half Ton Vans and Pick-up Truck 1960.  
 Morris Commercial FVO (late) 1952-53; FVSO (Export) 1954; NVO11/5 and FVSO 1955; NVO (late) 1952-54; 'J2' Models 1960; LDO1 and LDO2 1956-59; LCFO 1958-59; Series III Trucks (Petrol) 1956; Series III Trucks (high speed engine) 1959-60.  
 Nash 'Metropolitan' 1960.  
 Riley 'One-Point-Five' 1960; 2½ litre (later) 1952-53; 'Pathfinder' 1954-57; 'Two-Point-Six' 1958-59.  
 Rover '75' 1952-57; '90' 1954-57; '105' 1957.  
 Smith's Delivery Vehicles 2 ton (Diesel) 1955; Mobile Shop 1956-58.  
 Standard 'Companion' and 6 cwt. (later) 1960; 'Ensign' 1960.  
 Sunbeam 'Alpine' Special and Coupé 1955; Saloon Mk. III 1955-57.  
 Wolseley 'Six Eighty' (later) 1952-54; 'Six Ninety' (later) 1955-59; 'Fifteen Hundred' 1960.
- 37190 RF96/2**  
 Bentley 4½ litre Mk. VII 1954.
- 37195 RB310**  
 Bentley 'S' Saloon and 'Continental' 1955-59;  
 Rolls-Royce 'Silver Wraith' 1956-59; 'Silver Cloud' 1956-57.
- 37206 RB106/2**  
 Dellow Motors Mk. IIC and Mk. V 1955-57.  
 Rover 'Landrover' 1948-50.
- 37216 RB106/2**  
 Jensen 'Jen-Tug' 1946-52.
- 37217 RB106/2**  
 Austin A70 'Hampshire' 1951; A125 'Sheerline' 1950-52; A125 Limousine, Ambulance and Hearse 1951; A135 4 litre 'Princess' 1950-52; 25 cwt. Van and Ambulance 1950-52.  
 Daimler DC27 Ambulance 1950-54.  
 Jaguar 3½ litre 1951-53.
- 37219 RB106/2S**  
 Bentley 4½ litre Mk. VI 1946.  
 Rolls-Royce 'Silver Wraith' 1946-47.
- 37220 RB106/2S**  
 Austin 'Cargo' Truck (Civilian) 1954-55.  
 Commer 3 ton Cross Country Vehicle 1956.
- 37225 RB108**  
 Austin 4 litre 'Princess' Mk. IV 1957.
- 37226 RB310**  
 Austin Coach Series III 1957-59.  
 Morris Coach Series III 1957-59.
- 37247 RB106/2**  
 A.C. Invalid Carriage 1947-53.  
 Barrett, W. & F. Invalid Carriage 1949-50.  
 Reliant 'Regal' Car 1957-58; 5 cwt. Van 1957-59.
- 37259 RB310**  
 Austin 'Princess' Mk. IV 1958-59.
- 37264 RB106/2**  
 Rover '75', '90' and '105' 1958-59.
- 37277 RB310**  
 Bentley 'S2' Saloon and 'Continental' 1960.  
 Rolls-Royce 'Silver Cloud' 1958-60.
- 37280 RB106/2S**  
 Bentley 4½ litre Mk. VI 1947-51; 4½ litre Mk. VII 1952-53; 'Continental' Sports 1952-54.  
 Rolls-Royce 'Silver Wraith' 1948-55; 'Silver Dawn' 1953-55.
- 37283 RB106/2**  
 Austin A55 Mk. II 1959; Series IVFG Trucks 1960.  
 Fairthorpe 'Electron' and 'Electron Minor' 1959;  
 'Atomota' 1959-60; 'Zeta' 1960.  
 M.G. 'Magnette' Mk. III 1959.  
 Morris 'Oxford' Series V 1959.  
 Morris Commercial Series IVFG 1960  
 Reliant 'Regal' Car (later) 1959-60; 5 cwt. Van 1960.  
 Riley 'Four Sixty-Eight' 1959.  
 Triumph TR3 1960; 'Herald' 1959-60.  
 Wolseley 'Fifteen Sixty' 1959.
- 37290 RB106/2**  
 Austin 'Seven' 850 1959-60; A55 Mk. II 1960; A99 (later) 1959-60.  
 Commer 'Cob' Series II 1960; ¾ ton Forward Control Van and Passenger Chassis (Petrol) 1960.  
 Fairthorpe 'Electron' and 'Electron Minor' (later) 1959-60; 'Atomota' 1960; 'Zeta' 1960.  
 Hillman 'Minx' Series IIIA 1959-60; 'Husky' Series II 1960.  
 Lotus Mk. VII Series II (Ford 105E Engine) 1960.  
 M.G. 'Magnette' Mk. III 1960.  
 Morgan 'Plus Four' 1960.  
 Morris 'Mini-minor 850' and 'Mini-van' 1959-60; 'Oxford' Series V 1960.  
 Reliant 'Regal' Car and 5 cwt. Van (later) 1960; 'Regent Four' Van (late) 1960.  
 Riley 'Four Sixty-Eight' 1960.  
 Simca 'Aronde', 'Elysee', 'Etoile' and 'Montlhery' 1960.  
 Singer 'Gazelle' Series IIIA 1959-60.  
 Standard 'Atlas' 1960.  
 Sunbeam 'Alpine' 1959-60; 'Rapier' Series III 1959-60.  
 Triumph TR3 (later) 1960.  
 Wolseley 'Six Ninety-Nine' 1959-60; 'Fifteen Sixty' 1960.
- 37296 2TR**  
 Rover 'Landrover' (AC equipment) 1960.
- 37297 RB310**  
 Armstrong Siddeley 'Star Sapphire' 1960.  
 Dodge Petrol Models 1959-60.  
 Humber 'Super Snipe' (late) 1959-60.  
 Jaguar Mk. VIII (late) 1959; Mk. IX and 2.4 litre (late) 1959-60; 3.4 litre (late) 1959-60; 3.8 litre 1960; XK150 (late) 1959-60.  
 Rover '100' 1960; 'Landrover' (Diesel) (late) 1960.
- 37298 RB310**  
 Cooper 'Monaco' Sports (Coventry Climax Engine) 1959-60.  
 Jaguar XK-SS 1958.  
 Layton 'Jomar' (Coventry Climax Engine) 1959-60.  
 Lotus 'Elite' 1959-60; Mk. IX (late) 1959.
- 37299 RB310**  
 Bedford 1/6 ton Normal Control and 4/6 ton FC Forward Control (Petrol) 1960; CA Van (late) 1960.  
 Commer ¾ ton Forward Control Van and Passenger Chassis (Diesel) 1960.  
 Daimler SP250 Sports 1960.  
 Rover 3 litre 1959-60.  
 Vauxhall All Models (late) 1960.
- 37301 RB310**  
 Austin Coach Series III (later) 1960.  
 Jaguar Mk. IX (late) 1960.  
 Morris Commercial Series IVFG (special orders) 1960.
- 37303 RB310**  
 Alvis 3 litre TD21 1958-60.  
 Armstrong Siddeley 'Star Sapphire' 1959.  
 Aston Martin All Models (late) 1958-60.  
 Bedford S Type Trucks and Tractor (Diesel) 1957-60; 1/6 ton Normal Control (Diesel) 1957-60; 4/6 ton Forward Control (Diesel) 1958-60.  
 Daimler ¾ litre Models 1956-59; 4½ litre Limousine 1956-60; 'Majestic' 1959-60.  
 Humber 'Super Snipe' 1959.  
 Jaguar Mk. VIII, 2.4 and 3.4 litre and XK150 1958-59; XK140 1955-57.  
 Jensen '541' and '541R' 1954-59.  
 M.G. MGA (Police Car) 1958-60; 'Magnette' (Police Car) 1958-59.  
 Rover 'Landrover' (Diesel) 1958-60.
- 37304 RB310**  
 Armstrong Siddeley 'Star' Limousine 1960.  
 Austin B.M.C. 3 litre 'Princess' 1960; Taxi and Hire Car (Diesel) 1959-60;  
 Commer ¾ ton Forward Control Van (Heavy Duty Diesel) 1960; Passenger Chassis (Heavy Duty Diesel) 1960.  
 Jensen '541' and '541R' 1960  
 Rover 3 litre (late) 1960.
- 37305 RB310**  
 Hillman 'Minx' Series IIIA ('Easidrive') 1959-60.  
 Singer 'Gazelle' Series IIIA ('Easidrive') 1959-60.
- 37307 RB310**  
 Armstrong Siddeley 'Sapphire' 234 and 236 1956-58.  
 Bedford 1/6 ton Normal Control (Petrol) 1953-56; 4/6 ton Forward Control (Petrol) 1959-60; CA Van (late) 1956-60; S Type Trucks and Tractors (late) 1956-60.  
 Bristol '405' 1956-58; '406' 1958-60.  
 Citroen DS19 1957-60; ID19 1959-60; 'Safari' 1960.  
 Lotus 'Elite' 1959-60.  
 Rover '80' 1960.  
 Trojan All Models 1959-60.  
 Vauxhall 'Victor' 1958-60; 'Envoy' and 'Friary' 1960; 'Wyvern' 1955-57; 'Velox' and 'Cresta' 1955-60; 'Grosvenor' and 'Dormobile' 1957.
- 37308 RB310**  
 Austin Coach (late) 1959-60.  
 Morris Commercial Coach (late) 1959-60.
- 37323 RB310**  
 Hillman 'Minx' ('Easidrive') (late) 1959-60.  
 Singer 'Gazelle' ('Easidrive') (late) 1960.
- 37332 RB310**  
 Rover '80' (late) 1960.
- 37341 RB310**  
 Austin Taxi (when 2-way radio fitted) 1960.
- 332151 CFR2**  
 Morgan 3-wheeler 1948-52.  
 Morris 5 cwt. Van 1946-53.
- 332203 CFR2**  
 Morgan 'Plus Four' 1946-48.
- 336212 CJR3**  
 Bedford 30 cwt. 1946-48; 2/3 and 3/4 ton Trucks 1946-47; 5 ton Truck and Scammell Tractor 1946-48.



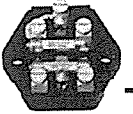
# CONTROL BOXES, FUSE BOXES, JUNCTION BOXES, TERMINAL BLOCKS & RELAYS

## VEHICLE APPLICATION REFERENCE—continued

### FUSE BOXES

- 37075 SF3. Three 25 amp. fuses; no cover.  
Austin 'Princess' Mk. IV 1957-59; Taxi (Petrol) (late) 1952-53; Hire Car (Petrol) 1952-54; 25 cwt. Van and Ambulance 1948-54.
- 37110 SF4. Four 35 amp. fuses and two spares; complete with cover.  
A.F.N. 'Le Mans' and 'Mille Miglia' 1951-54.  
Alfa Romeo '1900' 1953-56; 'Giulietta' (Sports 750C 'Berlina') 1955-60; (Sprint 750B) 1956-60; (i. 753) 1958-60.  
Allard All Models 1947-51.  
Alvis All Models 1946-55.  
Aston Martin 2 litre 1947-50; All Models (except DB3/S) 1955-60.  
Austin Taxi 1948-52 and 1954-60; Hire Car 1950-51 and (late) 1954-60; Coach 1947-55 and 1958-60.  
Beardmore Taxi Mk. VII 1955-58.  
Bedford Bus 1946-50.  
Commer 'Commando' (Petrol) 1947-52; 4, 5 and 6 ton F.C. 1959-60; 5 ton F.C. 1958; 7 ton F.C. and 10/12 ton Tractor (except Canada) 1958-60; 'Avenger' (Petrol) 1949-60; 'Avenger' (24 volt) Fire Tender or Pump 1954-60.  
Cooper 'Monaco' Sports (Coventry Climax Engine) 1959-60.  
Daimler 27 and 36 Limousine 1946-53; 2½ litre Models 1949-53; DC27 1949-54; 'Empress', 'Regency', 'Sportsman' and 'Regina' 1955; 3½ litre 'One-O-Four' Models and Limousine 1956-59.  
Dellow All Models 1952-57.  
Dodge Petrol Models 1949-52; (Perkins P6 Engine) 1951-58; Bus (Perkins P4 Engine, 12 volt) 1958.  
Douglas Battery Vehicle 1950-54.  
Frazier Nash 'Mille Miglia', 'Targo Florio' and 'Sebring' 1955.  
Healey 'Tickford' Saloon 1951-54; 'Abbot' Drop-head Coupé 1952-54.  
Invicta 'Black Prince' 1948-49.  
Jaguar 1½ litre 1948; 2½ litre 1948-51; 3½ litre 1948-57; Mk. VIII 1957; XK120 1949-54; XK140 1955-57; XK150 1958; XK-SS 1958.  
Jensen 'Jen-Tug' 1946-52 and (later) 1953-54.  
Karrier 'Bantam' and CK3 1948-52; 'Cob' 1947-48; 'Gamecock' 1958-60.  
Lagonda 3 litre (late) 1955-58.  
Layton 'Jomar' 1959-60.  
Lotus Mk. IX 1958-59.  
Standard 12 (Export) 1946-48; 14 (Holland and Belgium) 1946-48.  
Sunbeam Talbot 2 litre 1947.  
Trojan 15/20 cwt. Van (Petrol) 1951-60; 15/20 cwt. Van and Truck (Diesel), 25 cwt. Van, Truck and Bus (Diesel) 1954-60.
- 37134 SF4. One 35 amp. fuse and one spare; one 50 amp. fuse and one spare; complete with cover.  
A.C. Cars 'Ace' and 'Aceca' 1955-60.  
Morgan 'Plus Four' 1951-53.  
Triumph 'Mayflower' 1950-52.
- 37257A SF4. One 35 amp. fuse and one spare; three 25 amp. fuses and one spare; complete with cover.  
Trojan 15/20 cwt. Van (Petrol) 1957; 15/20 cwt. Van and Truck (Diesel) 1957.
- 37260 SF5/2 Less fuses; complete with cover.  
A.C. Cars Invalid Carriage 1947-53; 'Petite' 1953-57.  
Armstrong Siddeley 'Hurricane' and 'Lancaster' 1949-52; 'Typhoon' 1949-50; Utility 1950-52; 'Whitley' Saloon 1950-53; Limousine 1951-52; 'Sapphire' 1953-54; '236' (Manumatic) 1956-58.  
Aston Martin DB2 1951-53; DB3/S 1956.  
Austin Taxi and Hire Car (Diesel) 1955-58.  
Beardmore Taxi Mk. VII 1955-58.  
Bentley 4½ litre 1946-51.  
Commer All Models (except 'Commando', 'Avenger', 6½ and 7 ton) 1946-52; 3/4 ton 1952-54; 5 ton 'Superpoise' (Diesel) 1952-54; Fire Tender or Pump Chassis 1952-53.  
Daimler 2½ litre (except 'Consort') 1946-53.  
Dennis Municipal and 'Pax' (F.C.) 1946.  
Dodge All Models 1947-48; Petrol Models 1953-60.  
Healey All Models 1948-49.  
H.R.G. 9 and 12 1946-52.  
Humber 'Hawk' 1946-48; 'Hawk' (G.P.O.) 1951-52; 'Imperial', 'Pullman', 'Snipe' and 'Super Snipe' 1946-52.  
Jaguar 1½, 2½ and 3½ litre 1946-47.  
Lagonda All Models 1949-58.  
Lambourne 'Lamb-Kar' 1952-54.  
Lea Francis All Models 1949-54.  
Lotus 'Elite' 1959-60.
- 37260 SF5/2—continued  
Morris 5 cwt. Van 1947-53; 'Cowley' Van and Pick-up Truck 1950-52; 'Oxford' Series I-IV 1948-59; 'Six' 1948-52; Quarter Ton Van (G.P.O.) 1958-60.  
Morris Commercial OP Passenger Chassis 1950.  
Renault 8.3 Car and Van 1947-51; 12 Car 1946-51.  
Riley 1½ and 2½ litre 1951-52.  
Rolls-Royce 'Silver Wraith' 1948-50.  
Rover 'Landrover' and Station Wagon 1949-50 and 1951-60.  
Standard 'Eight' and 'Ten' 1954.  
Sunbeam-Talbot 2 litre 1947.  
Wales & Edwards 1 ton Electric Van 1953-55.  
Wolsley 'Six Eighty' 1949-52.  
Rover '80' and '100' 1960.
- 37263 SF4. Two 35 amp. fuses and one spare; two 50 amp. fuses and one spare; less cover.  
Jaguar 3½ litre 1958; Mk. VIII 1958-59; Mk. IX and XK150 1959-60.
- 37287 SF4. Two 25 amp. fuses; two 50 amp. fuses; two spare 50 amp. fuses; complete with cover.  
Austin Taxi and Hire Car (Diesel) 1959-60.
- 37322 SF4. Two 35 amp. fuses and one spare; one 50 amp. fuse and one spare; complete with cover.  
Trojan 20 and 25 cwt. 1959-60.
- 033239 SF6 Two 35 amp. fuses and two spares; no cover.  
Allard 'J', 'J2', 'JX' and 'P2' 1952-55; 'J2R' 1956; 'K3' 1954-55; '21C' and '21Z' 1953-55.  
Alvis All Models 1956-60.  
Armstrong Siddeley 'Hurricane' and 'Lancaster' 1952-53; Utility and Limousine (late) 1952.  
Austin-Healey 'Sprite' 1958-60; 'Metropolitan' 1957-60; LD1A and LD2A 1955-60; LDO1A, LDO2A and 101 Van 1958-60; 152 Range 1957-60; 301 Range 1959-60.  
Bedford 1/6 ton Normal Control (Petrol) 1953-60; 4/6 ton Forward Control (Petrol) 1958; K, OSA-OLA, OSB-OLB, MS-ML and OSS 1952-53; CA Van 1953-60; S Type Truck and Tractor 1952-60; 1/6 ton Normal Control (Diesel) 1957-58; 4/6 ton Forward Control (Diesel) 1958.  
Bristol All Models 1955-60.  
Citroen DS19 1956-60; ID19 1959-60; 'Safari' 1960; 15 1952-53.  
Commer 'Express' Delivery Van and Pick-up Truck 1953-60; 'Cob' 1957; 1½/1½ ton F.C. Mk. V 1957-60; 3/1½ ton 'Superpoise' 1957-60; 2/3, 3/4 and 5 ton 'Superpoise' (late) 1952-54; 'Commando' (Petrol) (late) 1952-53; 2/5 ton (Petrol), 3/5 and 6 ton 'Superpoise' 1955-60; 3 ton four wheel drive 1956; 5 ton F.C. 1957-58; 7 ton F.C. and 10/12 ton Tractor 1957-60.  
Daimler 3 litre 1953; 'Conquest' 1954-58; 'Majestic' 1959-60.  
Dodge (Perkins R6 Engine) 1954-55; 12 volt Models 1959-60.  
Elva 'Courier' (B.M.C. 1,500 c.c. Engine) 1959-60.  
Hillman 'Minx' 1951-57; 'Minx' De Luxe (Manumatic) 1959; 'Husky' 1955-57; 'Hawk' (late) 1952-60.  
Humber 'Imperial' and 'Pullman' 1953-54; 'Super Snipe' (late) 1952-60.  
Invacar Invalid Carriage 1951-55.  
Jaguar 2.4 litre and XK140 1956-57; XK150 1958.  
Jensen 4 litre 1952-55; '541' and '541R' 1954-60; 'Jen-Tug' (late) 1952-53; Lightweight Commercial 1955; 'Tempo 1500' 1958-60.  
Jowett 'Javelin' and 'Javelin' De Luxe 1951-54; 'Bradford' Van 1953-54.  
Karrier 'Bantam' (late) 1956-60; 'Gamecock' 1953-57; 1½/1½ ton Passenger 1957-60.  
Lanchester 14 1952-53; 'Sprite' 1955-56.  
Lotus Mk. VII and Mk. VIII 1958.  
Meynell 'Cub', 'Vixen' and 'Flying Fox' 1952.  
M.G. MGA 1956-59; MGA '1600' 1959-60; 'Magnette' 1954-59.  
Morris 'Minor' 1952-60; 'Cowley' Van and Pick-up Truck (late) 1952-53; 'Cowley' Saloon 1955-59; 'Oxford' Series I-IV 1952-60; 'Hindustan' Series I-III 1955-60; 'Six', 'Isis', Quarter and Half Ton Vans and Pick-up Truck 1954-60.  
Morris Commercial NVS 1952; 30 cwt. LC Models 1953-60; FV Models 1954-55; NV Models 1952-55; 10 cwt. 'J' and 'JB' Vans 1954-60; 'J2' 1957-60; LD1, LD01, LD2 and LDO2 1954-60; LCFO (2 ton Diesel) 1958-59; Tanker 1957.  
Nash 'Metropolitan' 1954-60.  
Paramount Cars Coupé 1953-54.
- 033239 SF6—continued  
Reliant 'Regal' Car 1953-54 and 1959-60; 5 cwt. Van 1957-58; 'Regent Four' Van 1959-60.  
Riley All Models (late) 1952-59; 'One-Point-Five' 1960.  
Rover All Models (except 3 litre and 'Landrover') 1952-60.  
Singer 9 Roadster 1951; All Models 1951-57.  
Smith's Delivery Vehicles 2 ton Diesel (CP80) 1953-55; 'Mobile Shop' 1956-58.  
Tornado 'Typhoon' 1959-60.  
Sunbeam 'Rapier' 1956-57.  
Vauxhall 'Wyvern' and 'Velox' 1952-54.  
Wolsley All Models 1952-58; 'Fifteen Hundred' 1959-60; 'Fifteen Fifty' and 'Six Ninety' 1959.
- 033240 SF6. One 35 amp. fuse and one spare; one 50 amp. fuse and one spare; no cover.  
Armstrong Siddeley All 'Sapphire' Models 1953-60; ½ ton Pick-up Truck 1957.  
Austin A30 'Seven' 1952-56; A35 1957-60; A40 1951-57; A50 1955-57; A55 Mk. II 1958-59; A70 1951-55; A90 1952 and 1955-56; A95 and A105 1957-59; 'Princess' Mk. IV 1957-59; Austin-Healey '100' and '100M' 1954-56; Austin-Healey '100 Six' 1957-59; Austin-Healey '3000' 1959-60; 'Champ' (Civilian) 1954-56; Cargo Truck (Civilian) 1954-55; 2 and 5 ton (Petrol) 1951-54; 2, 3 and 5 ton 1955; Series III Trucks 1956-60; Series IVFF Trucks 1959-60; Petrol Tanker Series III 1957-58; Coach Series III 1957; 'Gipsy' 1958-60.  
Bedford 1/6 ton Trucks (Diesel) 1953-56.  
Commer 25 cwt. Models 1952-56; 3/1½ ton 'Superpoise' 1956; 5 and 7 ton F.C. 1952-56; Fire Tender or Pump 1952-53.  
Jaguar XK140 1955.  
Jowett 'Jupiter' Sports 1952-54.  
Karrier 'Bantam' (later) 1952-56; CK3 (late) 1952.  
M.G. 1½ litre 1952-53; 'Midget' 1952-55.  
Morgan 'Plus Four' (later) 1953-59; 'Four-Four' Series II 1956-60.  
Morris Commercial 15/20 cwt. PV 1952-53; 25/30 cwt. LC3 1952; CV Models 1951; FV 1952-53; Petrol Tanker 1952; FVSO 12/5 1955; 10 cwt. 'J' Van 1952-53 and 1955; 3 ton (G.P.O.) 1956-59; Series III Trucks 1956-60; Series IVFF Trucks 1958-60.  
Morrison Electricars Battery Vehicle 1951-54; 1 ton D4 and 25 cwt. E 1955-57; 20 cwt. EH 1960; 2 ton GT Tractor 1956-57.  
Nash 'Metropolitan' 1954.  
Paramount Cars Roadster 1953-54.  
Peerless 'Gran Turismo' 1959-60.  
Riley 1½ litre 1952-55.  
Standard 'Vanguard' Models Phases I and II 1951-57; 12 cwt. Models 1951-57.  
Swallow 'Doretta' 1954-55.  
Triumph 'Mayflower' 1952-53; TR2 and TR3 1954-59.
- 033241 SF6. One 35 amp. fuse and one spare; one 60 amp. fuse and one spare; no cover.  
Austin 2 and 5 ton Trucks (Diesel) 1951-54.
- 033242 SF6. Two 50 amp. fuses and two spares; no cover.  
Jaguar 2.4 litre 1958-60; 3.4 litre 1958-59; Mk. II and 3.8 litre 1960; XK150 1959-60.
- 033259 SF6. Two 15 amp. fuses and two spares; no cover.  
Morrison Electricars 20 cwt. D1 and 30 cwt. F and FL 1958-60.
- 033263 SF6. Two 25 amp. fuses and two spares; no cover.  
Dodge (Perkins R6 Engine, 24 volt) 1956-58; (Leyland 0.350 Engine, 24 volt) 1958-60.  
Rover '75', '90' and '105' (Overdrive) 1956.  
Standard 'Ensign' 1958-60; 'Vanguard' Phase III Models 1956-60.
- 033277 SF6. One 35 amp. fuse and one spare; no cover.  
Hillman 'Minx' 1958-59.  
Singer 'Gazelle' 1958-59.  
Sunbeam 'Rapier' 1958-59.
- 033282 4FJ. Two 35 amp. fuses and two spares; Lucar connectors; no cover.  
Sunbeam 'Alpine' Sports 1959.

continued



## VEHICLE APPLICATION REFERENCE—continued

### FUSE BOXES—continued

033283 4FJ. Two 35 amp. fuses and two spares; Lucar connectors; complete with cover.  
 Armstrong Siddeley 'Star' Limousine 1960.  
 Austin 'Seven' 850 1959-60.  
 Daimler SP250 1960.  
 Hillman 'Minx' De Luxe Series IIIA (late) 1959-60.  
 Lotus Mk. VII Series II 1960.  
 Morris 'Mini-minor' 850 1959-60; ½ ton 'Mini-van' 1960.  
 Reliant 12 volt 'Regal' Car only 1959-60; 'Regent Four' Van (Export only) (later) 1960.  
 Rover 3 litre 1959-60.  
 Simca 'Aronde', 'Elysee', 'Etoile' and 'Montlhery' 1960.

033283 4FJ—continued  
 Singer 'Gazelle' Series IIIA 1959-60.  
 Sunbeam 'Alpine' Sports 1960; 'Rapier' 1959-60.  
 Tippen, Frank, Invalid Carriage 1955-60.  
 Triumph TR3 1960; 'Herald' 1959-60.  
 033285 4FJ. One 35 amp. fuse and one spare; one 50 amp. fuse and one spare; Lucar connectors; complete with cover.  
 Austin A55 Mk. II 1959-60; A99 1959-60; B.M.C. 3 litre 'Princess' 1960; Series IVFG Trucks 1960.  
 M.G. 'Magnette' 1959-60.  
 Morgan 'Plus Four' 1960.

033285 4FJ—continued  
 Morris 'Oxford' Series V 1959-60; Series IVFG Trucks 1960.  
 Riley 'Four Six-Eighty' 1960.  
 Rover 3 litre 1960.  
 Wolseley 'Six Ninety-Nine' and 'Fifteen Sixty' 1959-60.  
 033287 5FJ. One 35 amp. fuse and one spare; Lucar connectors; complete with cover.  
 Commer 'Cob' 1960; ¾ ton Forward Control Van and Passenger Chassis 1960.  
 Hillman 'Minx' Series IIIA 1959-60; 'Husky' Series II 1960.  
 Rover 3 litre 1959-60.

### JUNCTION BOXES

78264 4J. Four grub screw terminals.  
 Austin Taxi and Hire Car 1948-58; 'Champ' (Civilian) 1954-56; Cargo Truck (Civilian) 1954-55; 25 cwt. Van and Ambulance 1948-54; 3/5 ton Series III 1956-60; 5 ton Series IVFF 1959-60; 7 ton 1956-60; Coach 1947-55; Petrol Tanker 1946-60; Coach 1957-60.  
 Bentley 4½ and 4¼ litre 1946-54; 'Continental' Sports 1952-54.  
 Daimler 2½ litre 1946-53.  
 Dennis 'Max' Chassis 1946.  
 Diamond Motors Battery Vehicle 1951-56.  
 Harborough Construction Battery Vehicle 1951-54.  
 H.R.G. 9 and 12 1951-52.  
 Jaguar 2.4 litre 1960.  
 Lanchester 14 (later) 1953.  
 Lewis Battery Vehicle 1951-55.  
 M.G. 1½ litre 1950-53.  
 Midland Vehicles Battery Vehicle 1951-55.  
 Morgan 'Plus Four' 1951-55; 'Four-Four' Series II (left hand drive) 1956-57.  
 Morris 10 1946-48; 'Oxford', Taxi and Hire Car 1950-51.  
 Morris Commercial LD1, LD2, LDO1, LDO2 and LCFO (when flashers fitted) 1958-60; 2/5 ton Series III 1956-60; 5 and 7 ton Trucks Coach and Tankers Series IVFF 1958-60.  
 Rolls-Royce 'Silver Wraith' 1946-54; 'Silver Dawn' 1953-55.  
 Rover '60', '75', '80' and '100' 1948-60.  
 Standard 12 and 14 1946-48.  
 Wales & Edwards 1 ton Electric Van 1953-55.  
 Wolseley 8, 10, 12 and 14 1946-48.

78265 2J—continued  
 Commer Cross Country Vehicle 1956; Pantech-nicon and 'Commando' (Petrol) 1947-49; 3/4 and 4/5 ton 'Superpoise' (Diesel) 1950-54; 'Avenger' 1955-60; Fire Tender or Pump Chassis 1955-57.  
 Jaguar XK120 1951-52.  
 Jensen 6 ton 'JNSN' 1946-47; Lightweight Commercial 1954-55.  
 Karrier 'Bantam' Tractor 1948-50; 'Gamecock' 1957-60.  
 Morris Commercial LC5 and LCO5X 1954-59; FVO, FVSO and FVSO12/5 1949-55; LD1, LD2 and LDO 1956-60.  
 Reliant 750 c.c. 3-wheeler 1949-51; 6 cwt. Van and Truck 1954.  
 Riley 2½ litre 1948-53.  
 Rover '60' (N.A.D.A.) 1954-55; '75' 1951-55.  
 Wales & Edwards 1 ton Electric Van 1953-55.

78266 6J—continued  
 Daimler 'Regency' 1953; 'Conquest' 1954-58; 'Regency' and 'Regina' 1955; 'One-O-Four' 1956-59; 4¼ litre Limousine 1956-60.  
 Frisky Saloon and Coupé 1958-59.  
 H.R.G. 9 and 12 1946-50.  
 Humber 'Hawk' 1946-47; 'Imperial' and 'Pullman' 1946-54; 'Super Snipe' 1946-52.  
 Invacar Invalid Carriage 1951-55.  
 Jaguar XK-SS 1958.  
 Jensen 3½ litre 1946-47; 4 litre 1950-55.  
 Jowett De Luxe Van and 6 Light Utility 1949-52.  
 Lanchester 14 1952-53; 'Sprite' 1955.  
 Morgan 'Plus Four' 1946-50; 'Four-Four' 1949-50.  
 Morris 'Oxford' Taxi and Hire Car 1947-51.  
 Morris Commercial 25/35 cwt. 1946; 35/40, 45/55, 60/70 cwt. 5 ton, Tipper and ECV13/3 1946-48; CV Ambulance 1947-51; CVF13/5, CV11/30, CV11/40 (Lorries), CV9/40 and CV10/5 (Tippers) 1946-51; ECV13/5 and ECV13/5 1949; FV, FVS, FVS12/5 and Petrol Tanker 1949-55; FVO, FVSO, FVSO12/5 1949-55; OP and PP Passenger 1950-51; LDO, LDO1, LDO2 and LCFO 1956-60; 2/5 ton Series III 1956-63; Series IVFG 1960; 5 and 7 ton Series IVFF and Tankers 1958-60.  
 Riley 1½ litre 1946-55; 2½ litre 1948-53.  
 Rolls-Royce 'Silver Wraith' 1946-59; 'Silver Dawn' 1953-55.  
 Rover 'Landrover' and Station Wagon 1948-54.  
 Sunbeam 'Alpine' 1953-55; Saloon Mk. III 1955-57; Coupé 1955.  
 Sunbeam-Talbot '90' 1948-54.  
 Triumph '1800', 18T and 18TR 1946-48; '2000' 1949; 'Renown' 1952-54.  
 Vernon's Industries Invalid Carriage 1951-54.  
 Wolseley 10, 12 and 14 1946-48; 25 1948; 'Six Eighty' 1949-54.

78265 2J Two grub screw terminals.  
 Allard 'J', 'J2' and 'P2' Models 1952-55; '21C' and '21Z' 1953-54; 'Clipper' 3-wheeler 1955.  
 Austin LD1A and LD2A 1955-60; LDO1A and LDO2A 1958-60; LCFO 1958; 301FC 1959; 301 Range 1957-60.

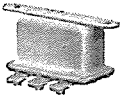
78266 6J Six grub screw terminals.  
 A.C. Cars Invalid Carriage 1947-53.  
 Allard 'J' and 'J2' 1951-56.  
 Armstrong Siddeley 'Hurricane', 'Lancaster' and 'Typhoon' 1946-53; Utility, Limousine and 'Whitley' 1950-52; 'Sapphire' 1953-55; 'Sapphire 346' and Limousine 1956-59; ½ ton Pick-up Truck (Export only) 1957; 'Star Sapphire' 1959-60.  
 Austin A125 1948-54; 'Princess' 1951-60; LD1A and LD2A 1955-60; LDO1A and LDO2A 1958-60; LCFO 1959; 3/5 ton Series III 1956-60; 7 ton Forward Control (Diesel) 1956-58; Series IVFF 1959-60.  
 Beardmore Taxi Mk. VII (Ford 'Consul' Engine) 1955-58.  
 Barratt, W. & F. 197 c.c. Invalid Car 1955.  
 Bentley 4½ and 4¼ litre 1946-54; 'Continental' Sports 1952-54.

### TERMINAL BLOCKS

37082 TB8. Eight-way snap connectors.  
 A.C. Cars 16 Saloon 1948-53.  
 Allard 'J', 'M' and 'P' Models 1951; 'P2' 1952.  
 Aston Martin DB3/S Competition 2-seater 1956; DB2 1952.  
 Healey All Models (except 'Silverstone') 1948-54.  
 Jaguar 3½ litre 1948-58; Mk. VIII 1957-59; Mk. IX 1959-60.  
 Lagonda 2½ litre 1951-52.  
 37083 TF8. Incorporates eight 25 amp. fuses and four spares.  
 Austin A125 Models 1948-54; A135 'Princess' 1948-53.  
 37101 TB6. Six grub screw terminals.  
 Allard 'P2', '21C' and '21Z' 1953-55.  
 Alvis All Models (except TC108G) 1951-60.  
 Armstrong Siddeley 'Sapphire' Models 1953-60; ½ ton Pick-up Truck 1957.  
 Aston Martin DB2/4 1955-57; DB Mk. III Saloon 1958-59.

37101 TB6—continued  
 Austin A70 1948-54; A90 'Atlantic' 1949-52; A125 Limousine 1951-54; A135 'Princess' 1954-60; 'Princess' Mk. IV 1957-59; Ambulance and Hearse 1953-60.  
 Bedford 5/6 cwt. Van 1946-47.  
 Bristol All Models 1954-60.  
 Commer 1½/1¼ ton Forward Control Mk. V 1956-60; 1 ton Forward Control 1959-60.  
 Daimler 'Consort' 1950-53; DC27 Ambulance 1949-54; All other Models (except 27 and 36 Limousine, SP250 and 'Majestic') 1951-60.  
 Jaguar Mk. IX 1959-60; XK150 1958-60.  
 Jensen '541' and '541R' 1954-60.  
 Karrier 1½/1¼ ton Passenger 1959-60.  
 Lagonda 2½ litre (U.S.A.) 1951-52; 3 litre 1954-58.  
 Lanchester 14 1952-53.  
 Rover '60' 1954-55; '75' 1951-59; '80' and '100' 1960.  
 Vauxhall 10 and 12 1946-47; 14 1946-48.

300990 TB4. Four grub screw terminals.  
 Bristol '400' 1949-50; '401' 1949-51.  
 Jaguar 2½ litre 1949-51; 3½ litre 1949-58; Mk. VIII 1957-59.  
 304812. Four grub screw terminals.  
 Bristol '401' 1952-53.  
 Singer 'SM1500' 1949-51.  
 305436. Seven grub screw terminals.  
 Vauxhall 'Wyvern', 'Cresta' and 'Velox' 1955.  
 807094 TB8. Eight-way snap connectors.  
 Austin 25 cwt. Van and Ambulance 1948-54.  
 54944091. Two-way.  
 Rover 3 litre 1959-60.  
 54944092. Six-way.  
 Rover 3 litre 1959-60.



# CONTROL BOXES, FUSE BOXES, JUNCTION BOXES, TERMINAL BLOCKS & RELAYS

## VEHICLE APPLICATION REFERENCE—continued

### RELAYS

#### 33052 LIR. 12 volt

Armstrong Siddeley 'Whitley' 1953.  
Austin 'Princess' Mk. IV 1957-59.  
Lea Francis All Models 1949-54.

#### 33093 LIR. 12 volt

Bristol '401' 1949-53; '406' 1958-60.

#### 33094 LIR. 12 volt

Jowett 'Jupiter' Sports (optional) 1953-54.

#### 33095 LIR. 12 volt

Austin A90 1949-52.  
Morris 'Oxford' 1950-54; 'Six' (U.S.A.) 1948-52.

#### 33099 LIR. 12 volt

Commer 5 and 7 ton 1949-51; 6½ and 7 ton 1950;  
'Avenger' (Petrol) 1949-51.

#### 33117 DB10. 12 volt

A.C. 'Ace' and 'Aceca' 1955-60.  
Alvis TA21 and TC21 1955.  
Armstrong Siddeley 'Sapphire' 1955; 'Sapphire 346'  
Saloon 1956-58; Limousine 1956-59; ½ ton  
Pick-up Truck (Export only) 1957.  
Aston Martin DB2 (U.S.A.) 1954; DB2/4 1955-57;  
DB Mk. III 1959.  
Austin A135 1955.  
Austin-Healey '100' and '100M' 1954-56; '100 Six'  
1957-59; '3000' 1959-60.  
Bentley Mk. VII 1952-54; 'Continental' Sports  
1952-54.  
Bristol '405' 1955-58.  
Citroen 15 1953-54; 23 1953.  
Commer 'Express' Delivery Van and Pick-up  
Truck 1953-60.  
Daimler 'Conquest' 1955-58; 'Empress', 'Regency',  
'Sportsman' and 'Regina' 1955; 'One-O-Four'  
Models (U.S.A.) 1956-59; 4½ litre Limousine  
1956-60.  
Hillman 'Minx' 1953-57; 'Husky' 1955-56.  
Humber 'Hawk' 1953-57; 'Super Snipe' 1953-57.  
Jaguar 3½ litre Mk. V and Mk. VII 1953-58;  
Mk. VIII 1957-59; XK Models 1953-59.  
Jensen 4 litre 'Interceptor' 1954-55.  
Jowett 'Javelin' and 'Javelin' De Luxe (U.S.A.)  
1952-54.  
Lagonda 3 litre 1955-58.  
Lanchester 'Sprite' (U.S.A.) 1955-56.  
M.G. 'Midget' 1951-55; MGA 1956-59; MGA 1600  
1959; 'Magnetite' (when fitted) 1955-59.  
Morgan 'Four-Four' Series II 1956-58.  
Morris 'Minor' (L.H.D.) 1954-60; 'Oxford  
Traveller' (U.S.A.) 1955; 'Isis Traveller' 1956-57;  
Half Ton Van and Pick-up Truck 1954-56.  
Morrison Electriccars 25 cwt. BJ/LH 1955-56.  
Riley 'Pathfinder' 1954-57.  
Singer 'Hunter' and 'S' Model 1955-56.  
Sunbeam 'Alpine' 1953-57.  
Sunbeam-Talbot '90' 1953-54.  
Swallow 'Doretta' 1954-55.  
Trojan 15/20 cwt. Van 1954.  
Wolseley 'Four Forty-Four' 1956; 'Fifteen Fifty'  
(L.H.D. and optional R.H.D.) 1957-59.

#### 33135 SB40-1. 12 volt

A.C. 16 1950-54.  
Alvis 3 litre 1958-59.  
Aston Martin DB2 (L.H.D.) 1952-54; DB2/4  
1955-57; DB Mk. III 1958-59.  
Austin A70 1948-55; A125 1953-54; 'Princess'  
Mk. IV 1957-59; A135, Ambulance and Hearse  
1956-60.  
Jaguar 2½ litre (L.H.D.) 1951; 3½ litre Mk. V and  
Mk. VII (Home) 1951-53; XK120 (later) 1951-54.  
Jensen 'Interceptor' 1950-55; '541' and '541R'  
1954-60.  
Lagonda 3 litre 1954-58.  
M.G. MGA (when fitted) 1959; MGA 1600 (when  
fitted) 1959-60.  
Swallow 'Doretta' 1954-55.

#### 33154 SB20. 6 volt

Dellow Motors Sports Mk. III 1952-54.

#### 33157 SB40-1. 12 volt

Armstrong Siddeley 'Sapphire' 234 and 236 1958.  
Aston Martin DB4 1959-60; DB4GT 1960.  
Austin-Healey '100' and '100M' 1954-56; '100 Six'  
1957-59.  
Humber 'Hawk' (optional extra) 1954-59; 'Super  
Snipe' (optional extra) 1956-57.  
Jaguar 3½ litre Mk. V and Mk. VII (optional  
extra) 1954-57; Mk. VIII and Mk. IX (optional  
extra) 1957; 2.4 litre and XK140 (optional  
extra) 1956-57.  
Jensen 'Interceptor' (special orders) 1953-55; '541'  
and '541R' 1954-55.  
Singer 'Gazelle' (optional extra) 1958-60.  
Standard 'Eight' and 'Ten' (optional extra)  
1958-60; 'Vanguard' Models and 12 cwt.  
1955-60; 'Pennant' 1958-59; 'Ensign' and 'Atlas'  
1959-60.  
Sunbeam 'Alpine' 1955-57; 'Rapier' 1956-60.  
Triumph TR2 and TR3 1955-60.

#### 33158 SB60. 12 volt

Armstrong Siddeley 'Sapphire' 234 and 236  
1956-57.

#### 33168 SB40/1. 12 volt

Bentley 'S2' and 'Continental' (Switzerland) 1960.  
Rolls-Royce 'Silver Cloud' II 1960.

#### 33174 SB60. 12 volt

Humber 'Hawk' (optional extra) 1959-60.  
Jaguar 3½ litre (optional extra) 1958-60; 2.3 and  
3.4 litre and XK150 (optional extra) 1958-60;  
3.8 litre (optional extra) 1960.  
Rover '60', '75' and '90' (optional extra) 1956-59;  
'105' (optional extra) 1957-59; '80' and '100'  
(optional extra) 1960; 'Landrover' (AC equip-  
ment) 1960.

#### 33177 2RA. 12 volt

Austin A55 (optional extra) 1958; A90, A95 and  
A105 1957-59; A99 1959; B.M.C. 3 litre  
'Princess' 1960.  
Morris 'Isis' (optional extra) 1957-58.  
Riley 'Pathfinder' (optional extra) 1957; 'Two-  
Point-Six' (optional extra) 1958-59.  
Wolseley 'Six Ninety' (optional extra) 1957-59;  
'Six Ninety-Nine' 1959-60.

#### 33188 6RA. 12 volt

A.C. 16 1955-57.  
Alfa Romeo 1953-60.  
Armstrong Siddeley 'Sapphire' 1953-55; 'Sapphire  
346' 1956-58; Limousine 1956-59; 'Star Sapphire'  
1959-60; 'Star' Limousine 1960.  
Aston Martin DB2 (R.H.D.) 1952-54; DB3/S 1956;  
DB Mk. III 1959.  
Austin A90, A95 and A105 1957-59; A135 1955;  
Petrol Tanker and Coach (when fitted) 1957-60.  
Bedford (optional extra when twin horns fitted).  
Bentley Mk. VI 1946-51; Mk. VII 1952-54;  
'Continental' 1952-60; 'S' Models 1955-60.  
Bristol All Models 1949-60.  
Commer (optional extra when twin horns fitted).  
Daimler 3 litre 'Regency' 1953.  
Dodge (optional extra when twin horns fitted).  
Elva 'Courier' 1959-60.  
Fairthorpe 'Atamota' (when fitted) 1959-60; 'Zeta'  
(when fitted) 1960.  
Frazer Nash 1955.  
Hillman 'Minx' (when fitted) 1955-59; 'Minx'  
Series IIIA 1959-60; 'Husky' (when fitted)  
1955-57.  
Humber 'Hawk' 1955-60; 'Super Snipe' 1953-60.  
Jaguar 2½ litre (R.H.D.) 1951; 3½ litre Mk. V and  
Mk. VII (Export) 1951-53; XK120 1949-51.  
Jowett 'Javelin' and 'Jupiter' 1951-54; 'Javelin' De  
Luxe 1950-54.  
Karrier (optional extra when twin horns fitted).  
Lagonda 3 litre 1958.  
Layton Sports Car 'Jomar' (TVR) 1959-60.  
Lotus 'Elite' 1959-60.  
M.G. 1½ litre 1953; 'Magnetite' 1954-60.  
Morris 'Cowley' (U.S.A. and Canada) 1955-59;  
'Oxford' 1954-60; 'Isis' 1956-58; Half Ton Van  
and Pick-up Truck (when fitted) 1955-60.  
Morris Commercial (optional extra when twin horns  
fitted).

#### 33188 6RA—continued

Riley 'Pathfinder' 1954-57; 'Two-Point-Six'  
1958-59; 'Four Sixty-Eight' 1959-60.  
Rolls-Royce 'Silver Wraith' 1956-59; 'Silver  
Dawn' 1953-55; 'Silver Cloud' 1956-60.  
Rover '60' and '90' 1954-59; '75' 1952-59; '105'  
1957-59; '80' and '100' 1960; 3 litre 1959-60.  
Singer 'Hunter' and 'S' Model (when fitted)  
1955-56; 'Gazelle' 1957-60.  
Standard 'Eight', 'Ten' and 6 cwt. (when fitted)  
1956-57.  
Vanguard Models and 12 cwt. 1951-60.  
Sunbeam 'Rapier' 1956-60.  
Triumph 'Herald' (when fitted) 1959-60.  
Vauxhall 'Victor' De Luxe 1958-60; 'Envoy'  
Station Wagon De Luxe (Export Canada) 1960;  
(optional extra on other models when twin horns  
fitted).  
Wolseley 'Four Forty-Four' 1953-56; 'Four Fifty'  
1949-53; 'Six Eighty' 1949-54; 'Six Ninety'  
1955-59; 'Fifteen Sixty' 1959-60.

#### 33192 7RA. 12 volt

Standard 'Eight', 'Ten' and 'Pennant' (when fitted)  
1959.

#### 33194 SB40/1. 12 volt

Rolls-Royce 'Silver Cloud' 1956-59.

#### 33196 7RA. 12 volt

Vauxhall 'Victor' (optional extra) 1958-59.

#### 33199 6RA. 12 volt

Rover 3 litre 1959-60.

#### 33204 2RA. 12 volt

Austin A55 (optional extra) 1959; A90 and A95  
(later) 1959.

#### 33205 SB60. 12 volt

Simca 'Vedette' (France) 1959.

#### 33209 6RA. 12 volt

Alvis 3 litre 1959-60.  
Lotus 'Elite' 1959-60.  
Sunbeam 'Alpine' Sports 1959-60.

#### 33213 6RA. 12 volt

Jensen '541' and '541R' 1960.  
Sunbeam 'Alpine' (optional extra) 1959-60.  
Vauxhall 'Velox', 'Cresta' and 'Friary' Estate Car  
1960.

#### 33214 6RA. 12 volt

Austin A99 1959-60; B.M.C. 3 litre 'Princess' 1960.  
Wolseley 'Six Ninety-Nine' 1959-60.

#### 33216 6RA. 24 volt

Bedford S Models (24 volt, when fitted) 1954-60.  
Commer 'Avenger' (24 volt, when fitted) 1956-60.  
Dodge 24 volt Models (when fitted) 1956-60.

#### 33217 2RA. 12 volt

Austin A99 (later) 1959-60.  
Wolseley 'Six Ninety-Nine' (later) 1960.

#### 33223 6RA. 12 volt

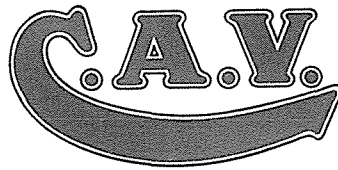
Bentley 'S' Models and 'Continental' 1955-60.  
M.G. MGA Models (U.S.A.) 1958-59.  
Rolls-Royce 'Silver Cloud' 1956-60.  
Wolseley 'Six Ninety-Nine' 1960.

#### 33226 SB40/1. 12 volt

Bentley 'S2' Saloon and 'Continental' 1960.  
Rolls-Royce 'Silver Cloud' II 1960.

#### 33229 SB40/1. 12 volt

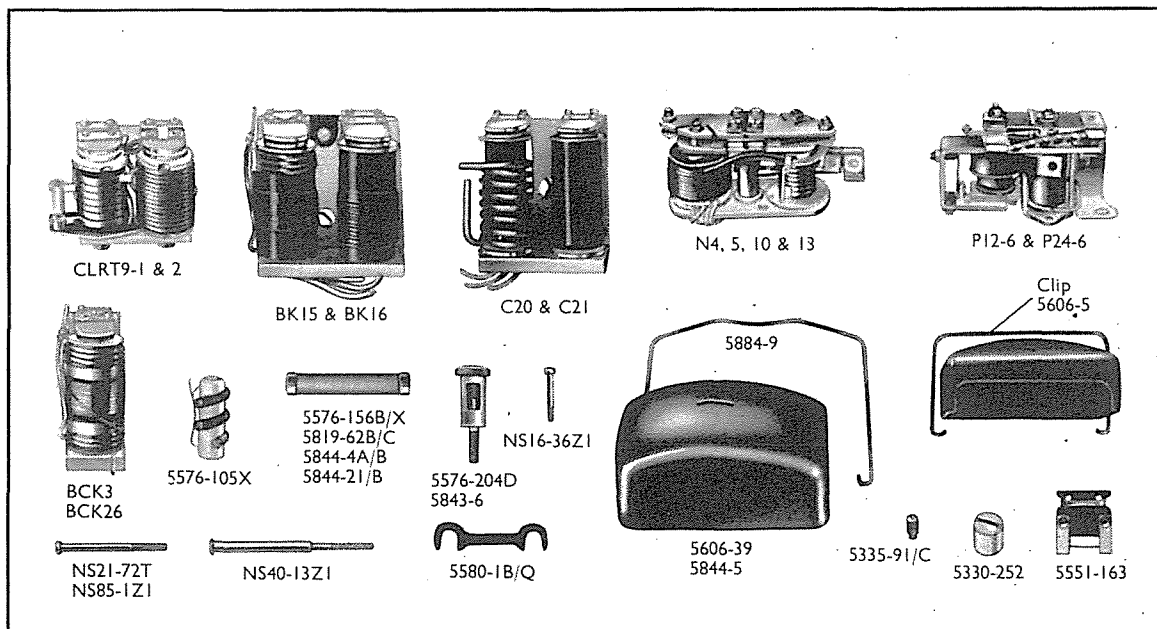
Austin 5 and 7 ton Trucks (Diesel, used with C.A.V.  
starting motor) 1960.  
Morris Commercial 5 and 7 ton Trucks (Diesel,  
used with C.A.V. starting motor) 1960.



# CONTROL BOXES

## Model Interpretation

- |     |  |     |  |
|-----|--|-----|--|
| 107 | Control Box with moulded cover and base, and type BK regulation for use with D5L generators. | A   | Design change.   |
| A   | Design change letter.  | 203 | Control Box with moulded cover and base, and type CLRT9... regulation for use with G5 generators.    |
| 3   | Symbol number covering special features.   | -1  | Symbol number covering special features.   |
| 202 | Control Box with moulded cover and base, and type N regulation for use with H55 generators.  | 189 | Control Box with cast iron cover and base, and type C... regulation for use with DO7X... generators. |
| -2  | Symbol number covering special features.   | -2  | Symbol number covering special features.   |



## RESISTANCE VALUES

Part No.	Ohms	Part No.	Ohms	Part No.	Ohms
5576-105AX	17.5	5576-137M	240	5844-4A	240
5576-105AZ	70	5576-137N	100	5844-4B	120
5576-137B	120	5576-137T	180	5844-21	30
5576-137F	40	5576-137X	25	5844-21B	14 - 17.5
5576-137L	20	5819-62B	60		



# C.A.V. CONTROL BOXES

## DETAILED SPARE PARTS

Part No. . . . .	1685010	1685030	1686020	—	1687010	1687020
Model . . . . .	107A1	107A3	189-2	189-4	202-1	202-2A
Part No. . . . .	—	—	—	—	1687011	—
Model . . . . .	—	—	—	—	202B-1	—
Regulator . . . . .	BK15	BK16	C21	C20	N4	N5
Screw, regulator fixing . . . . .	NS19-19T	NS19-19T	NS21-19T	NS21-19T	NS37-15Z1	NS37-15Z1
Cutout . . . . .	—	—	BCK3	BCK26	P12-6	P12-6
Screw, cutout fixing . . . . .	—	—	NS21-19T	NS21-19T	NS34-10Z1	NS34-10Z1
Cover, regulator . . . . .	5606-39	5606-39	—	—	—	—
Screw, cover fixing . . . . .	NS16-36Z1	NS16-36Z1	—	—	—	—
Cover, fuse . . . . .	5606-3	5606-3	—	—	—	—
Clip, fuse cover . . . . .	5606-5	5606-5	—	—	—	—
Resistance . . . . .	5576-156D	5576-156D	—	—	5576-137B	5576-137B
Resistance . . . . .	—	—	5576-105AX	5576-105AZ	5576-137F	5576-137F
Resistance . . . . .	—	—	5819-62C	5819-62B	5576-137L	5576-137L
Resistance . . . . .	—	—	—	5576-137M	5576-137X	5576-137X
Bolt, resistance fixing . . . . .	NS40-13Z1	NS40-13Z1	NS21-72T	NS21-72T	NS85-1Z1	NS85-1Z1
Washer, keyed, bolt . . . . .	5339-81	5339-81B	5339-81B	5339-81B	—	—
Washer, mica, bolt . . . . .	—	—	5339-491B	5339-491B	—	—
Washer, plain, bolt . . . . .	5083-2	5083-2	5083-2	5083-2	—	—
Washer, spring, bolt . . . . .	5293-57	5293-57	5293-57	5293-57	—	—
Nut, fixing bolt . . . . .	5330-22	5330-22	5330-116	5330-116	—	—
Post, fuse . . . . .	—	—	5576-204D	5576-204D	5843-6	5843-6
Nut, fuse post . . . . .	—	—	5330-216	5330-216	5331-53	5331-53
Fuse, strip . . . . .	—	—	5580-1Q	5580-1B	5580-1Q	5580-1Q
Carrier, main fuse . . . . .	5551-163C	5551-163C	—	—	—	—
Carrier, field fuse . . . . .	5551-163Q	5551-163Q	—	—	—	—
Nut, terminal . . . . .	—	—	—	—	NU4-4T	NU4-4T
Screw, grub . . . . .	5335-91	5335-91	5335-91	5335-91	5335-91	5335-91

Part No. . . . .	1687050	1687110	1688010	1688030	1688090
Model . . . . .	202-5	202-11	203-1	303-3	203-9
Part No. . . . .	1687051	—	—	—	—
Model . . . . .	202B5	—	—	—	—
Regulator . . . . .	N10	N13	CLRT9-1	CLRT9-2	CLRT9-1
Screw, regulator fixing . . . . .	NS37-15Z1	NS37-15Z1	NS39-15T	NS39-15T	NS39-14T
Cutout . . . . .	P24-6	P24-6	—	—	—
Screw, cutout fixing . . . . .	NS34-10Z1	NS34-10Z1	—	—	—
Cover, regulator . . . . .	—	—	5844-5	5844-5	5844-5
Clip, regulator cover . . . . .	—	—	5844-9	5844-9	5944-9
Resistance . . . . .	5576-137B	5576-137B	—	—	—
Resistance . . . . .	5576-137N	5576-137N	5844-21	5844-21B	5844-21
Resistance . . . . .	5576-137T	5576-137T	5844-4A	5844-4B	5844-4A
Bolt, resistance fixing . . . . .	NS85-1Z1	NS85-1Z1	—	—	—
Post, fuse . . . . .	5843-6	5843-6	—	—	—
Nut, fuse post . . . . .	5331-53	5331-53	—	—	—
Fuse, strip . . . . .	5580-1B	5580-1B	—	—	—
Carrier, main fuse . . . . .	—	—	5551-163D	5551-163B	5551-163D
Nut, terminal . . . . .	NU4-4T	NU4-4T	—	—	—
Screw, grub . . . . .	5335-91	5335-91	5335-91C	5335-91C	5335-91C

# C.A.V. CONTROL BOXES AND FUSE BOXES



## VEHICLE APPLICATION REFERENCE

### CONTROL BOXES

1685030 107A-3  
Dodge (Perkins P6 Diesel) 1951-53.

1687010 202-1A  
Bedford SB Type Coach and Chassis 1957-60;  
Fire Engine Chassis (Petrol) 1957.  
Commer 5 ton 'Superpoise' 1954-60; 6 ton 'Superpoise' (Diesel, 24 volt) 1959-60; 5 ton Forward Control 1958; 7 ton Forward Control (Petrol and Rootes TS3 Diesel) 1958; 10/12 ton Tractor (Rootes TS3 Diesel) 1958; (Special Export Canada, serviced by C.A.V.) 1958; Fire Tender or Pump Chassis 1954-58.

1687011 202B-1  
Commer 4, 5 and 6 ton Forward Control (Petrol and Perkins C305 Diesel Engine, Diesel Passenger and Export Canada, serviced by C.A.V.) 1959-60; Fire Tender or Pump Chassis 1959-60.

1687021 202B-2  
Bedford SB Type Coach and Chassis 1955-56;  
Fire Engine Chassis (Petrol) 1955-56.

1687050 202-5A  
Commer 'Avenger' (24 volt, Rootes TS3 Diesel Engine) 1954-56.

1687051 202B-5  
Bedford S Type 7 ton Truck and 9/10/12 ton Tractor (Leyland Engine) 1954-56; SBO Coach 1960.  
Commer 'Avenger' (24 volt, Rootes TS3 Diesel Engine) 1959-60.

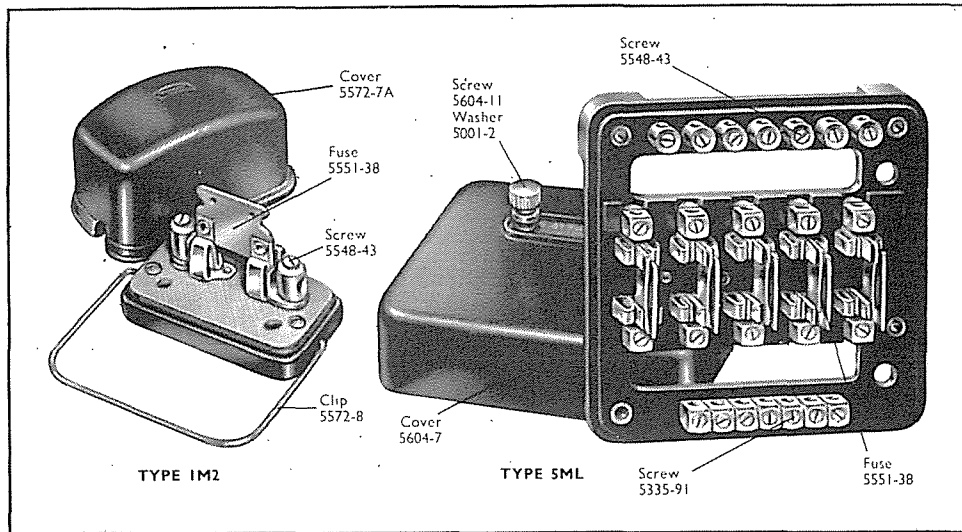
1687111 202-11  
Bedford SBO Coach (suppressed) (later) 1956.

1688010 203-1  
Bedford S Type 7 ton Truck and 9/10/12 ton Tractor (Leyland Engine) 1958-59; SLO-SSO and SAO (Perkins R6 Engine) 1954-56.  
Dodge (24 volt, Perkins R6 Engine) 1954-58; (24 volt, Leyland 0.350 Engine) 1958-60.

1688030 203-3  
Dodge (Perkins P6 Engine) 1954-60; (12 volt, Perkins P4 Engine) 1958-60.

1688090 203-9  
Bedford SLO-SSO Truck and SAO Tractor (Perkins R6 Engine) (later) 1956.

### FUSE BOXES



### DETAILED SPARE PARTS

Part No. . . . .	1800020	1800700
Model . . . . .	1M2	5ML
Part No. . . . .	—	1800830
Model . . . . .	—	5ML13
Cover . . . . .	5572-7A	5604-7
Screw, cover fixing . . . . .	—	5604-11
Washer, spring, cover screw . . . . .	—	5001-2
Clip, cover . . . . .	5572-8	—
Carrier, fuse . . . . .	5551-38	5551-38
Screw, terminal . . . . .	5548-43	5548-43
Screw, terminal . . . . .	—	5335-91

## VEHICLE APPLICATION REFERENCE

1800830 5ML-13. Five fuse carriers; complete with cover.

Bedford SBO, SLO-SSO and SAO (Perkins R6 Engine) 1954-56; SB Coach and Chassis 1955-60; Fire Engine Chassis 1955-57.

1800020 1M-2. Single fuse carrier; complete with cover.

Commer 1½/1½ ton Forward Control 1957-60; 1 ton Forward Control 1959-60; ¾/1½ ton 'Superpoise' 1957-60; 3/5 ton 'Superpoise' (Diesel) 1955-60; 6 ton 'Superpoise' 1957-60.

Dodge (Perkins P6 Engine) 1951-60; (Perkins P4 Engine) 1958-60; (Perkins R6 Engine) 1954-60.  
Karrier 'Bantam' 1958-60.

1800700 5ML. Five fuse carriers; complete with cover.

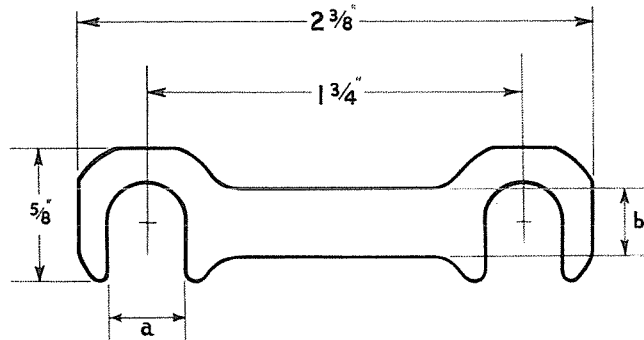
Austin B.M.C. Series III Petrol Tanker 1958-60.  
Dodge (Perkins P6 Engine) 1959-60; (Perkins P4 Engine) 1959-60.

Morris Series III Petrol Tanker 1958.



# C.A.V. FUSES

## FUSE STRIPS (tin alloy)



### FUSE CARRIERS WITH FUSE WIRE

Part No.	Fuse Wire Fitted
5551-163B	25 s.w.g. tinned copper
5551-163C	27 s.w.g. tinned copper
5551-163D	27 s.w.g. tinned copper
5551-163H	29 s.w.g. tinned copper
5551-163J	30 s.w.g. tinned copper
5551-163M	34 s.w.g. tinned copper
5551-163N	35 s.w.g. tinned copper
5551-163Q	37 s.w.g. tinned copper

### FUSE STRIPS

Part No.	Fusing Current	Dimensions		
		Thickness	a	b
5580-1B	50 amps.	.012"	.323"	.250"
5580-1D	120 amps.	.028"	.323"	.250"
5580-1Q	75 amps.	.0185"	.323"	.230"
5580-1V	40 amps.	.024"	.323"	.180"