

LUCAS

SWITCHES

SECTION

Q

CONTENTS

| | <i>Page</i> | | <i>Page</i> |
|---|-------------|---|-------------|
| LIGHTING AND DIRECTION INDICATOR SWITCHES | | IGNITION AND STARTING SWITCHES | |
| Bonnet light | Q5 | Choke heater | Q24-25 |
| Boot light | Q5-11 | Choke heater warning light | Q24-25 |
| Cab light | Q5 | Ignition | Q24-25 |
| Courtesy light | Q7 | Ignition and lighting | Q24-25 |
| Dipper | Q5-9 | Ignition and starting | Q24-25 |
| Door light | Q5-9 | Solenoid operating | Q24-25 |
| Driving lamp | Q9 | Starting heater or plug | Q24 |
| Flasher | Q5-11 | Starting motor | Q25 |
| Flasher and horn push | Q7-9 | Starting motor solenoid | Q26 |
| Foglamp | Q5-11 | Thermostart | Q38 |
| Headlamp | Q5-11 | | |
| Interior light | Q5-11 | GENERAL-PURPOSE SWITCHES | |
| Lighting | Q5-11 | Air conditioning | Q30 |
| Lighting and dipper | Q5-11 | Battery master or main | Q31 |
| Lighting, flasher and horn push | Q9 | Brake booster warning light | Q31 |
| Lighting and horn push | Q7-11 | Change-over, trailer | Q30 |
| Lighting and ignition or main | Q5-11 | Demister | Q31 |
| Map/Reading light | Q5-11 | Demister and air valve | Q30 |
| Mercury (boot or rear door) | Q5 & 9 | Demister and dimmer | Q31 |
| Panel light (and rheostat) | Q5-11 | Handbrake | Q30 |
| Pillar light | Q5-9 | Heater or fan | Q30-31 |
| Reverse lamp | Q5-9 | Heater and demister | Q30 |
| Reverse lamp and starting inhibitor | Q5-9 | Heater and interior light | Q30 |
| Roof light | Q5-11 | Horn (Lotus VII Series 2 only) | Q31 |
| Step light | Q5 | Hydraulic suspension damper solenoid | Q31 |
| Stop lamp | Q5-11 | Isolator | Q30 |
| Trafficator | Q5-11 | Screenjet | Q30-31 |
| Trafficator and horn push | Q7-9 | Trailer security | Q30 |
| Trafficator interrupter | Q5 | Window lift | Q30 |
| | | Windshield wiper | Q30-31 |
| | | Windshield wiper and screenjet | Q30-31 |
| FUEL AND OIL SWITCHES | | SUNDRY ITEMS OF SWITCHGEAR | |
| Main pump | Q20-21 | Adaptor, starter switch; caps; couplings; escutcheon plates; housing, flasher switch; plunger guards; rubber boots and cushions; springs, stop lamp; striker plate, flasher switch; terminal cover, starting switch | Q26 |
| Petrol and/or oil level | Q20-21 | | |
| Petrol door or lid | Q20-21 | | |
| Petrol/Oil change-over | Q20-21 | | |
| Petrol pump | Q20-21 | | |
| Petrol reserve | Q20-21 | | |
| PETROL RESERVE VALVES | | | |
| | Q36 | | |
| STANDARDISATION OF PLC SWITCHES | | | |
| | Q22-23 | | |
| C.A.V. SWITCHGEAR | | | |
| Battery cut-off, Series-parallel, Starting Push and Heater Switches and Thermostart | | | |
| | | | Q38 |



SWITCHES

INDEX

| Part No. | Model | Page | Illustration Page | Part No. | Model | Page | Illustration Page | Part No. | Model | Page | Illustration Page |
|----------|--------|------|-------------------|----------|-------|------|-------------------|----------|-------|------|-------------------|
| 31001 | MD6 | Q5 | Q4 | 31334 | PS19 | Q30 | Q29 | †31556 | 6SA | Q7 | Q6 |
| 31044 | S37 | Q5 | Q4 | 31339 | PS6 | Q30 | Q29 | 31559 | 20SA | Q7 | Q6 |
| 31056 | S37 | Q5 | Q4 | 31344 | S50 | Q24 | Q24 | 31561 | SD84 | Q7 | Q6 |
| 31073 | PS9 | Q5 | Q4 | 31346 | SC81 | Q5 | Q4 | 31564 | SD84 | Q7 | Q6 |
| 31082 | HL2 | Q5 | Q4 | 31356 | PS6 | Q5 | Q4 | 31565 | SD84 | Q7 | Q6 |
| 31091 | PPG1 | Q5 | Q4 | 31361 | SS5 | Q24 | Q24 | 31567 | PRS3 | Q7 | Q6 |
| 31093 | 39C | Q5 | Q4 | 31363 | SS5 | Q20 | Q21 | 31568 | PRS3 | Q7 | Q6 |
| 31107 | SS5 | Q24 | Q24 | 31369 | PRS5 | Q30 | Q29 | 31570 | PRS3 | Q7 | Q6 |
| 31113 | PS16 | Q5 | Q4 | †31375 | BMS1 | Q5 | Q4 | 31571 | 18SA | Q7 | Q6 |
| 31114 | PPG2 | Q5 | Q4 | 31377 | SS5 | Q24 | Q24 | 31578 | 30SA | Q30 | Q29 |
| 31115 | SS8 | Q24 | Q24 | 31379 | TS82 | Q5 | Q4 | 31579 | PRS7 | Q20 | Q21 |
| 31120 | PS9 | Q5 | Q4 | 31382 | 55C | Q5 | Q4 | 31581 | PS7 | Q30 | — |
| 31126 | PPG1 | Q5 | Q4 | †31384 | 22B | Q30 | Q30 | 31593 | S60 | Q24 | Q24 |
| 31127 | SD84 | Q5 | Q4 | 31387 | PRS5 | Q5 | Q4 | 31600 | PS6 | Q7 | Q24 |
| 31140 | 10 | Q5 | Q4 | 31403 | S45 | Q24 | Q24 | 31608 | 37SA | Q7 | Q6 |
| 31141 | SS5 | Q24 | Q24 | †31404 | 94 | Q5 | Q4 | 31609 | 37SA | Q7 | Q6 |
| 31144 | 39C | Q5 | Q4 | 31416 | PRS3 | Q5 | Q4 | 31611 | TS82 | Q7 | Q4 |
| 31146 | PS17 | Q20 | Q20 | 31419 | PS7-2 | Q30 | Q29 | 31622 | 13SA | Q7 | Q6 |
| 31150 | SS5 | Q24 | Q24 | 31421 | PRS3 | Q5 | Q4 | 31625 | 37SA | Q7 | Q6 |
| 31153 | SS8 | Q24 | Q24 | †31422 | 22B | Q5 | Q4 | 31630 | 37SA | Q7 | Q6 |
| 31154 | PS16 | Q5 | Q4 | 31423 | SD87 | Q5 | Q4 | 31633 | 42SA | Q7 | Q6 |
| 31158 | PPG1 | Q5 | Q4 | 31425 | PHS1 | Q24 | Q24 | 31637 | S60 | Q24 | Q24 |
| 31161 | 10 | Q5 | Q4 | 31426 | PRS7 | Q5 | Q4 | 31638 | 6SA | Q7 | Q6 |
| 31173 | PS9 | Q5 | Q4 | 31428 | PRS7 | Q5 | Q4 | 31641 | 37SA | Q7 | Q6 |
| †31175 | 94 | Q5 | Q4 | 31429 | PRS7 | Q20 | Q21 | 31644 | PS5 | Q20 | Q21 |
| †31177 | 95 | Q5 | Q4 | 31430 | PRS7 | Q30 | Q30 | †31645 | BMS1 | Q7 | Q6 |
| 31183 | PPG1 | Q5 | Q4 | 31434 | PS7 | Q5 | Q4 | 31646 | MS6 | Q7 | Q6 |
| 31187 | SS5 | Q24 | Q24 | 31440 | HL2 | Q5 | Q6 | 31650 | 49SA | Q30 | Q29 |
| 31190 | SD84 | Q5 | Q4 | 31444 | PPG1 | Q7 | Q6 | 31655 | PRS3 | Q7 | Q6 |
| 31192 | PS15 | Q5 | Q4 | 31447 | SS5 | Q24 | Q24 | 31662 | 10SA | Q7 | Q6 |
| 31194 | PRS2 | Q5 | Q4 | 31448 | PRS5 | Q30 | Q29 | †31663 | 54SA | Q7 | Q6 |
| 31198 | PPG2 | Q5 | Q4 | 31454 | PRS5 | Q30 | Q29 | 31664 | 37SA | Q7 | Q6 |
| 31201 | PS7-1 | Q5 | Q4 | 31455 | PRS9 | Q30 | Q29 | 31673 | MS6 | Q7 | Q6 |
| 31216 | SS5 | Q24 | Q24 | 31456 | PRS9 | Q7 | Q6 | 31675 | SD84 | Q7 | Q6 |
| 31224 | U39 | Q5 | Q4 | 31457 | PRS9 | Q30 | Q29 | 31678 | S60 | Q25 | Q24 |
| 31226 | FS22-1 | Q5 | Q4 | 31469 | SS10 | Q24 | Q24 | †31680 | 55SA | Q7 | Q6 |
| 31227 | S37 | Q5 | Q4 | 31472 | No. 8 | Q7 | Q10 | 31685 | PS9 | Q30 | Q29 |
| 31228 | PS7-1 | Q5 | Q4 | 31474 | PS7 | Q30 | Q29 | 31692 | 6SA | Q7 | Q6 |
| 31229 | PS5 | Q20 | Q20 | 31476 | SD84 | Q7 | Q6 | 31695 | SD84 | Q7 | Q6 |
| 31241 | SS5 | Q24 | Q24 | 31478 | SS10 | Q7 | Q6 | 31696 | 56SA | Q7 | Q6 |
| 31243 | PS6 | Q30 | Q29 | 31479 | PS7 | Q30 | Q29 | 31702 | 57SA | Q20 | Q21 |
| 31246 | S56 | Q24 | Q24 | 31482 | No. 9 | Q7 | Q4 | 31708 | PRS7 | Q30 | Q29 |
| 31248 | PS19 | Q5 | Q4 | 31486 | 6SA | Q7 | Q6 | 31712 | 37SA | Q7 | Q6 |
| 31249 | PRS3 | Q5 | Q4 | 31494 | MS6 | Q7 | Q6 | 31713 | 37SA | Q7 | Q6 |
| 31250 | TPS1-1 | Q5 | Q4 | 31497 | SS5 | Q24 | Q24 | †31714 | 37SA | Q30 | Q29 |
| 31253 | SS9 | Q24 | Q24 | 31501 | S60 | Q24 | Q24 | 31719 | SS9 | Q25 | Q24 |
| 31256 | PS6 | Q20 | Q20 | 31502 | SC81 | Q7 | Q6 | 31727 | 52SA | Q7 | Q6 |
| 31258 | SS5 | Q24 | Q24 | †31504 | 12SA | Q30 | Q29 | 31732 | 37SA | Q7 | Q6 |
| 31260 | PS9 | Q5 | Q4 | 31509 | PRS7 | Q7 | Q6 | 31733 | 13SA | Q7 | Q6 |
| 31268 | PRS4 | Q5 | Q4 | †31513 | 15SA | Q30 | Q29 | 31734 | 37SA | Q7 | Q6 |
| 31270 | PRS3 | Q5 | Q4 | 31516 | PRS3 | Q7 | Q6 | 31735 | 37SA | Q7 | Q6 |
| 31272 | SS5 | Q24 | Q4 | 31518 | PS7 | Q30 | Q29 | 31736 | 13SA | Q7 | Q6 |
| 31277 | FS32 | Q5 | Q4 | 31524 | PRS7 | Q7 | Q6 | 31737 | 37SA | Q7 | Q6 |
| 31279 | SS9 | Q24 | Q24 | 31526 | PS20 | Q30 | Q29 | 31738 | 13SA | Q7 | Q6 |
| 31281 | 51C | Q5 | Q4 | 31527 | PS9 | Q7 | Q6 | 31743 | 57SA | Q7 | Q6 |
| 31284 | FS22-1 | Q5 | Q4 | 31528 | PS9 | Q7 | Q6 | 31750 | 21SA | Q7 | Q6 |
| 31287 | S45 | Q24 | Q24 | 31529 | PS9 | Q30 | Q29 | 31755 | 42SA | Q7 | Q8 |
| 31291 | 9 | Q5 | Q4 | 31531 | S60 | Q20 | Q21 | 31756 | 42SA | Q7 | Q8 |
| 31295 | PS5 | Q20 | Q20 | 31533 | 13SA | Q7 | Q6 | 31757 | 45SA | Q30 | Q29 |
| 31299 | HSC1 | Q5 | Q4 | 31540 | 540 | Q24 | Q24 | 31759 | PRS7 | Q30 | Q29 |
| 31302 | PRS5 | Q30 | — | 31542 | SS10 | Q7 | Q6 | 31760 | 37SA | Q7 | Q8 |
| 31303 | PRS5 | Q5 | Q4 | 31543 | SS10 | Q7 | Q6 | 31765 | 37SA | Q7 | Q8 |
| 31304 | PRS5 | Q30 | Q29 | 31544 | S60 | Q24 | Q24 | 31769 | 51SA | Q7 | Q8 |
| 31311 | SD84 | Q5 | Q4 | 31544 | 18SA | Q7 | Q6 | 31776 | 37SA | Q7 | Q8 |
| 31316 | PS19 | Q5 | Q4 | 31546 | PRS7 | Q30 | Q29 | 31780 | 57SA | Q7 | Q8 |
| 31331 | PS20 | Q5 | Q4 | 31550 | 37SA | Q7 | Q6 | 31781 | S60 | Q25 | — |

† These switches have no serviceable spare parts

SWITCHES



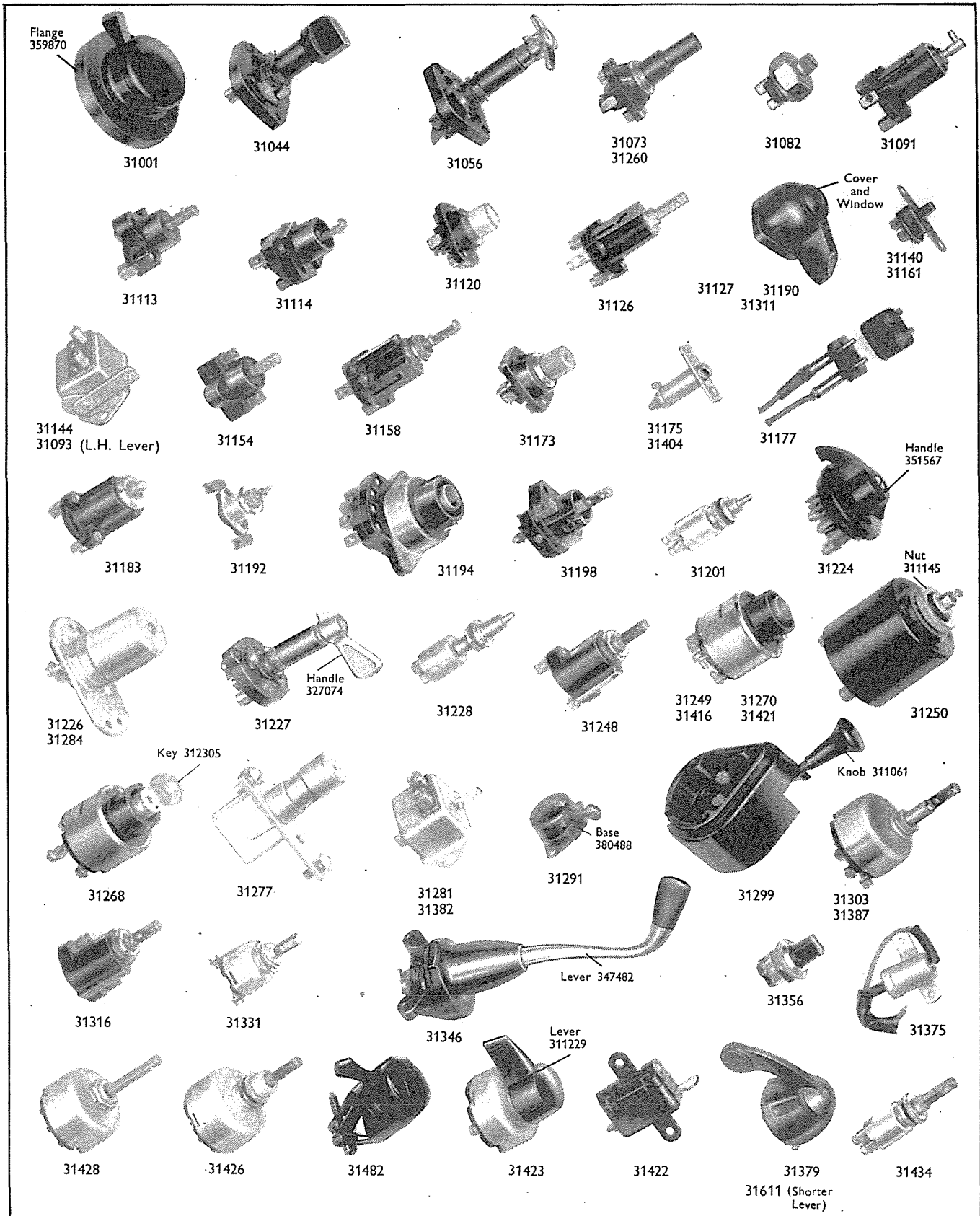
INDEX

| Part No. | Model | Page | Illustration Page | Part No. | Model | Page | Illustration Page | Part No. | Model | Page | Illustration Page |
|----------|--------|------|-------------------|----------|---------|------|-------------------|----------|----------|------|-------------------|
| 31788 | 57SA | Q7 | Q8 | 31951 | 58SA | Q9 | Q8 | 76605 | ST305 | Q31 | Q29 |
| 31790 | PRS3 | Q9 | Q8 | 31952 | PPG1 | Q9 | Q8 | 78203 | CHR1 | Q31 | Q32 |
| 31791 | 66SA | Q9 | Q8 | 31954 | PRS7 | Q31 | — | 78205 | CHR1 | Q31 | Q32 |
| 31792 | 66SA | Q9 | Q8 | 31956 | 57SA | Q9 | Q8 | 78206 | CHR1 | Q31 | Q32 |
| 31793 | 10SA | Q9 | Q8 | 31957 | PRS7 | Q31 | Q29 | 78210 | CHR1 | Q31 | Q32 |
| 31795 | FS22 | Q9 | Q8 | 31958 | PRS3 | Q9 | Q8 | 78216 | CHR1 | Q31 | Q32 |
| 31796 | 37SA | Q9 | Q8 | 31959 | 6SA | Q9 | Q8 | 78225 | CHR1 | Q11 | Q10 |
| 31799 | 47SA | Q25 | Q24 | 31960 | 57SA | Q31 | Q29 | 78226 | CHR1 | Q11 | Q10 |
| †31800 | 21SA | Q9 | Q8 | †31961 | 71SA | Q9 | Q8 | 78237 | CHR1 | Q11 | Q10 |
| †31802 | HL2 | Q9 | Q8 | 31962 | S45 | Q25 | Q24 | 78241 | CHR1 | Q31 | Q32 |
| 31803 | 37SA | Q9 | Q8 | 31963 | 65SA | Q9 | Q8 | 78250 | CHR1 | Q31 | Q32 |
| †31804 | 67SA | Q9 | Q8 | 31964 | 37SA | Q9 | Q8 | 78252 | CHR1 | Q11 | Q10 |
| †31807 | 22B | Q9 | Q8 | 31967 | SS5 | Q25 | Q24 | 78253 | CHR1 | Q11 | Q10 |
| 31809 | 51SA | Q9 | Q8 | 31969 | 57SA | Q9 | Q8 | 78260 | CHR1 | Q31 | Q32 |
| 31810 | SS8 | Q25 | Q24 | 31970 | 58SA | Q9 | Q10 | 78279 | CHR1 | Q11 | Q10 |
| 31821 | 51SA | Q9 | Q8 | 31971 | 47SA | Q25 | Q24 | 78286 | CHR3 | Q31 | Q32 |
| †31826 | 22B | Q9 | Q8 | 31973 | 47SA | Q25 | Q24 | 78291 | CHR1 | Q11 | Q10 |
| 31828 | 65SA | Q9 | Q8 | 31974 | CS58A | Q9 | Q10 | 78294 | CHR1 | Q11 | Q10 |
| 31829 | 70SA | Q25 | Q24 | 31975 | PRS7 | Q31 | — | 78299 | CHR1 | Q11 | Q10 |
| 31830 | PRS9 | Q9 | Q8 | 31979 | 37SA | Q9 | Q10 | 78300 | CHR1 | Q11 | Q10 |
| 31836 | 57SA | Q30 | Q29 | 31980 | 37SA | Q9 | Q10 | 78301 | CHR1 | Q11 | Q10 |
| 31837 | 57SA | Q9 | Q8 | 31981 | PRS7 | Q9 | Q10 | 78305 | 2R | Q31 | Q32 |
| 31838 | 65SA | Q9 | Q8 | 31982 | PRS7 | Q9 | Q10 | 78311 | CHR1 | Q11 | Q10 |
| 31839 | 57SA | Q9 | Q8 | 31984 | 65SA | Q31 | Q29 | 78314 | CHR1 | Q11 | Q10 |
| 31840 | 57SA | Q9 | Q8 | 31986 | 57SA | Q9 | Q10 | 78328 | 2R | Q31 | Q32 |
| 31841 | 57SA | Q9 | Q8 | 31987 | 57SA | Q11 | Q10 | 78331 | CHR1 | Q11 | Q10 |
| 31847 | PRS9 | Q30 | Q29 | 31988 | 57SA | Q31 | Q29 | 78333 | 4R | Q11 | Q10 |
| †31849 | SS10 | Q9 | Q8 | 31995 | 58SA | Q11 | Q10 | 78336 | CHR1 | Q11 | Q10 |
| 31850 | 57SA | Q9 | Q8 | 31997 | PRS7 | Q31 | Q29 | 78339 | 3R | Q31 | Q32 |
| 31854 | 70SA | Q25 | Q24 | 34005 | PLC6 | Q11 | Q10 | 78344 | 3R | Q11 | Q10 |
| †31855 | 71SA | Q9 | Q8 | 34019 | PLC2 | Q11 | Q10 | 78346 | 3R | Q11 | Q10 |
| 31857 | 37SA | Q9 | Q8 | 34038 | PLC6 | Q11 | Q10 | 78353 | 3R | Q11 | Q32 |
| 31862 | PRS7 | Q30 | Q29 | 34039 | CRS | Q11 | Q10 | 78356 | 3R | Q31 | Q32 |
| 31865 | 6SA | Q9 | Q8 | 34043 | PLC6 | Q11 | Q10 | 78357 | 3R | Q31 | Q32 |
| 31867 | 72SA | Q9 | Q8 | 34054 | PLC6 | Q11 | Q10 | 78358 | 3R | Q11 | Q10 |
| 31869 | PS7 | Q9 | Q8 | 34055 | PLC6 | Q11 | Q10 | 78359 | 3R | Q11 | Q10 |
| 31870 | PRS7 | Q30 | Q29 | 34056 | PLC6 | Q11 | Q10 | 78361 | 3R | Q31 | Q32 |
| 31872 | SS5 | Q25 | Q24 | 34063 | PLC6 | Q11 | Q10 | 78362 | 3R | Q31 | Q32 |
| †31874 | 71SA | Q9 | Q8 | 34065 | PLC5 | Q11 | Q10 | 78363 | 3R | Q11 | Q32 |
| 31878 | PRS7 | Q20 | Q21 | 34074 | CRS2 | Q11 | Q10 | 78369 | 3R | Q11 | Q10 |
| †31882 | HL2 | Q9 | Q8 | 34090 | PLC6 | Q11 | Q10 | 78370 | 3R | Q31 | Q32 |
| 31883 | 37SA | Q9 | Q8 | 34092 | CRS3 | Q11 | Q10 | 78384 | 3R | Q31 | Q32 |
| 31885 | 37SA | Q9 | Q8 | 34103 | CRS3 | Q11 | Q10 | 031046 | TS1 | Q11 | Q10 |
| 31892 | PRS7 | Q30 | Q29 | 34258 | 47SA | Q25 | — | 031218 | PS7-1 | Q11 | Q10 |
| 31898 | 53SA | Q9 | Q8 | 34264 | 47SA | Q25 | — | 031296 | TPS1 | Q11 | Q10 |
| 31899 | S45 | Q25 | Q24 | 34266 | PS19 | Q31 | — | 031366 | PLC6 | Q25 | Q25 |
| †31902 | 10SA | Q9 | Q8 | †34270 | HL2 | Q11 | Q10 | 031445 | 22B | Q11 | Q10 |
| 31904 | TPS1-1 | Q9 | Q8 | 34299 | 70SA | Q25 | — | 076013 | ST950 | Q26 | Q26 |
| 31907 | 37SA | Q9 | Q8 | 34307 | 65SA | Q31 | Q29 | 076411 | ST18 | Q25 | Q25 |
| 31909 | 65SA | Q31 | Q29 | 34314 | 37SA | Q11 | Q10 | 076414 | ST18 | Q25 | Q25 |
| 31912 | 47SA | Q25 | Q24 | †34328 | 81SA | Q11 | Q10 | 076415 | ST18 | Q25 | Q25 |
| 31915 | 37SA | Q9 | Q8 | 76022 | ST900-1 | Q26 | Q26 | 076419 | ST18 | Q25 | Q25 |
| 31918 | 79SA | Q31 | Q29 | 76404 | ST10 | Q25 | Q25 | 359013 | S37 | Q11 | Q10 |
| 31921 | 60SA | Q31 | Q29 | 76412 | ST18 | Q25 | Q25 | †359236 | 88 | Q11 | Q10 |
| 31924 | 37SA | Q9 | Q8 | 76421 | ST950 | Q26 | Q26 | 359357 | 10 | Q11 | Q10 |
| 31928 | PRS7 | Q31 | Q29 | 76422 | ST950 | Q26 | Q26 | 359358 | 10 | Q11 | Q10 |
| 31931 | TOS1 | Q25 | S4 | 76423 | ST19-2 | Q25 | Q25 | 359671 | S37 | Q11 | Q10 |
| 31933 | 57SA | Q9 | Q8 | 76427 | ST18 | Q25 | Q25 | 764248S | ST18 | Q25 | Q25 |
| 31936 | 66SA | Q9 | Q8 | 76428 | ST10 | Q25 | Q25 | 768380 | CHR1 | Q11 | Q10 |
| 31938 | PS5 | Q20 | Q20 | 76438 | ST18-1 | Q25 | Q25 | | | | |
| †31939 | 81SA | Q9 | Q8 | 76439 | ST9 | Q25 | Q25 | | | | |
| 31940 | PRS9 | Q31 | Q29 | 76442 | 4SA | Q25 | Q25 | | | | |
| †31942 | BMS1 | Q9 | Q8 | 76464 | 2ST | Q26 | Q26 | 1820410 | BBNF A41 | Q37 | Q38 |
| 31945 | 37SA | Q9 | Q8 | 76503 | 2S | Q31 | Q29 | 1823410 | 108-1 | Q37 | Q38 |
| 31946 | 57SA | Q9 | Q8 | 76600 | ST350 | Q31 | Q29 | 1823420 | 108-2 | Q37 | Q38 |
| 31947 | 57SA | Q9 | Q8 | 76602 | ST350 | Q31 | Q29 | 1824890 | 134-19 | Q37 | Q38 |
| | | | | | | | | †1850021 | 285-2A | Q37 | Q38 |

C.A.V. SWITCHES

† These switches have no serviceable spare parts ‡ Thermostart

LIGHTING AND DIRECTION INDICATOR SWITCHES



For detailed spare parts, see pages Q12-Q19

LIGHTING AND DIRECTION INDICATOR SWITCHES

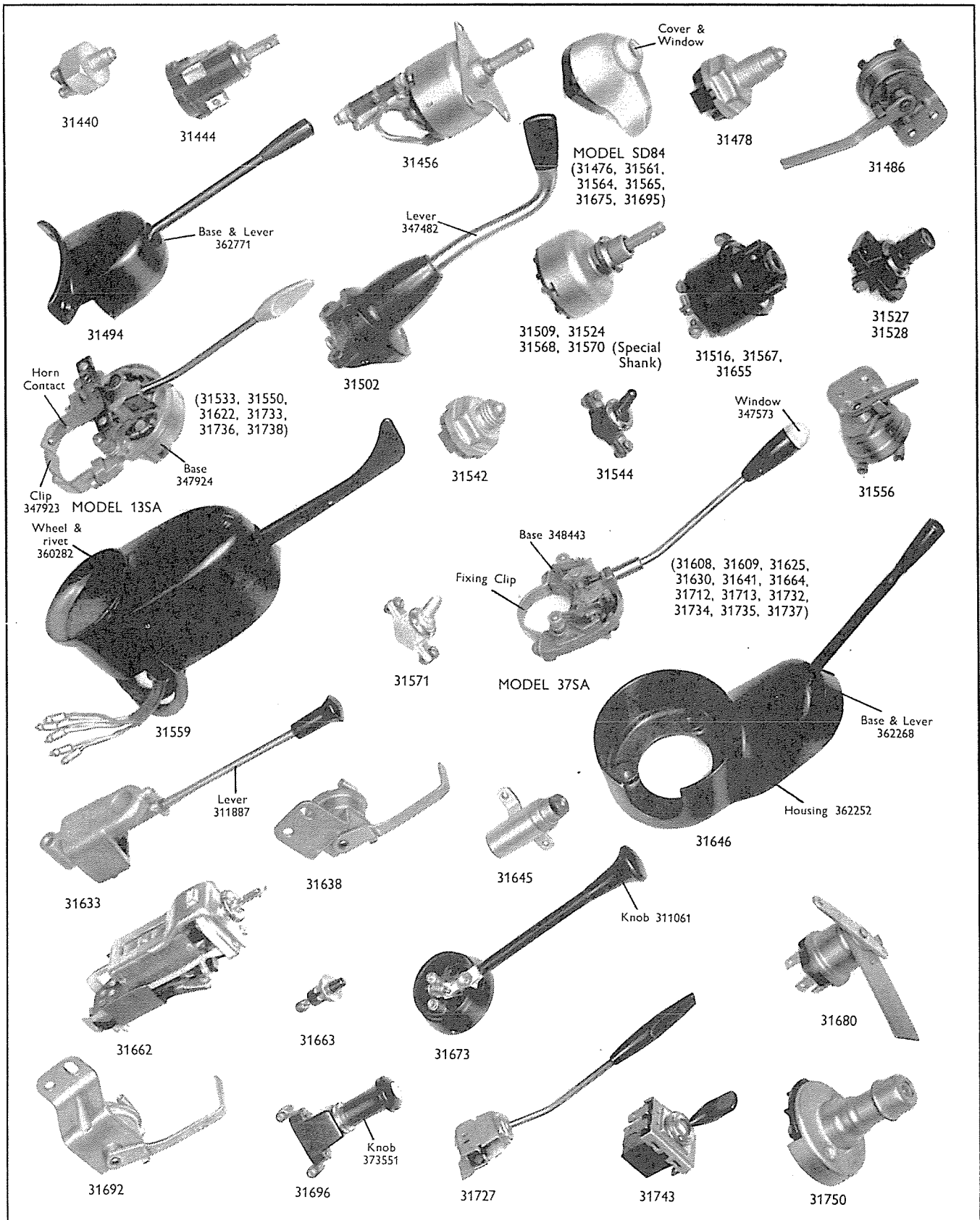


Descriptive Reference

| Part No. | Model | Usage | Action | Finish | Fixing | Special Features |
|----------|--------|--------------------------------|----------------------------------|---------------------------------|------------------------------|--|
| 31001 | MD6 | Dipper | Lever on-off | Black bakelite | Three hole flange | Panel fitting. |
| 31044 | S37 | Lighting | Rotary | Black | Two hole | Black handle, marked 'LAMPS' in green. |
| 31056 | S37 | Lighting | Rotary | Black and chrome | Two hole | C.P. handle. |
| 31073 | PS9 | Panel | Push on-off, tumbler | C.P. fixing nut | Single hole | Plain black knob; for Rolls-Royce. |
| 31082 | HL2 | Stop lamp | Hydraulic | — | Screw-in | For hydraulic brakes; American National Taper Thread. |
| 31091 | PPG1 | Lighting | Two stage pull on-push off | Moulded body; C.P. fixing nut | Single hole | Less knob. |
| 31093 | 39C | Stop lamp | Pull | — | Two hole | Left hand lever. |
| 31113 | PS16 | Map light | Pull on-push off | Moulded body | Single hole | Less knob; as 31154, but terminals reversed. |
| 31114 | PPG2 | Foglamp | Two stage pull on-push off | Moulded body | Two hole | Less knob. |
| 31120 | PS9 | Roof lamp | Push on-off, tumbler | C.P. fixing nut | Single hole | Plain ivory knob. |
| 31126 | PPG1 | Interior light | Two stage pull on-push off | Moulded body; C.P. fixing nut | Single hole | Less knob. |
| 31127 | SD84 | Trafficator or flasher | Rotary three way | Brown | Two hole | Red window. |
| 31140 | 10 | Panel | Slide | Black | Two hole | As 31161, but 5 B.A. fixing holes. |
| 31144 | 39C | Stop lamp | Pull | — | Two hole | Right hand lever. |
| 31154 | PS16 | Roof lamp | Pull on-push off | Moulded body | Single hole | Less knob; as 31113, but terminals reversed. |
| 31158 | PPG1 | Lighting | Two stage pull on-push off | Moulded body | Single hole | Less knob. |
| 31161 | 10 | Panel | Slide | Black | Two hole | As 31140, but 2 B.A. fixing holes. |
| 31173 | PS9 | Panel | Push on-off, tumbler | — | Single hole | Brown knob, marked 'P' in maroon. |
| 31175 | 94 | Step, door or boot lamp | Push | C.P. | Two hole | As 31404 except for plunger travel. |
| 31177 | 95 | Trafficator interrupter | Push | Black | — | Circuit breaker switch. |
| 31183 | PPG1 | Lighting | Two stage pull on-push off | Moulded body; C.P. fixing nut | Single hole | Less knob; special for wooden panel. |
| 31190 | SD84 | Trafficator | Rotary three way | Brown | Two hole | Red window; 12 volt bulb; no resistance; as 31311 except for finish. |
| 31192 | PS15 | Panel | Pull on-push off | C.P. fixing nut | Single hole | — |
| 31194 | PRS2 | Lighting and ignition | Rotary three way | Metal clad brown bakelite | Two hole | Less lock. |
| 31198 | PPG2 | Roof lamp | Two stage pull on-push off | Moulded body | Two hole | Less knob. |
| 31201 | PS7-1 | Map, cab or bonnet light | Pull on-push off | C.P. fixing nut | Single hole | Short thread for metal panel; as 31228 except for length of thread. |
| 31224 | U39 | Lighting | Rotary three way | Black | Spring circlip | Three positions, marked 'OFF-L-H'. |
| 31226 | FS22-1 | Dipper | Push on-off | Natural | Four hole flange | Foot operated; similar to 31284 except for terminals. |
| 31227 | S37 | Lighting | Rotary | Black | Two hole | C.P. handle. |
| 31228 | PS7-1 | Interior light | Pull on-push off | C.P. fixing nut | Single hole | Long thread for wooden panel; as 31201 except for length of thread. |
| 31248 | PS19 | Lighting | Pull on-push off | Moulded body; C.P. fixing nut | Single hole | Less knob; as 31316, but terminals reversed. |
| 31249 | PRS3 | Lighting | Rotary three way | Black dial; C.P. bezel | Spring circlip | Less lock. |
| 31250 | TPS1-1 | Trafficator or flasher | Rotary three way | Brown | Single hole | Pneumatic time switch; as 031296, but less lever. |
| 31260 | PS9 | Dipper | Push on-off, tumbler | C.P. bezel | Single hole | Plain brown knob. |
| 31268 | PRS4 | Lighting | Rotary four way | Black dial; C.P. bezel | Spring circlip | — |
| 31270 | PRS3 | Lighting and ignition | Rotary three way | Black dial; C.P. bezel | Spring circlip | Less lock; 12 volt. |
| 31277 | FS32 | Dipper | Push on-off | Natural | Three hole flange | Special flange for American vehicles. |
| 31281 | 51C | Stop tail or reverse | Pull | — | Two hole | Brake operated. |
| 31284 | FS22-1 | Dipper | Push on-off | Natural | Four hole flange | Foot operated; similar to 31226 except for terminals. |
| 31291 | 9RW | Dipper | Lever on-off | Black cover | Two hole flange | Marked 'ON' in white. |
| 31299 | HSC1 | Lighting | Lever on-off | Black | Steering column | — |
| 31303 | PRS5 | Lighting | Rotary four way | — | Single hole | Four position; less knob. |
| 31311 | SD84 | Trafficator or flasher | Rotary three way | Black | Two hole | Red window; 12 volt bulb; no resistance; as 31190 except for finish. |
| 31316 | PS19 | Foglamp | Pull on-push off | Moulded body; C.P. fixing nut | Single hole | Less knob; as 31284, but terminals reversed. |
| 31331 | PS20 | Lighting | Rotary on-off | — | Single hole | Less knob. |
| 31346 | SC81 | Trafficator | Rotary three way | C.P. lever | Steering column | — |
| 31356 | PS6 | Panel or roof | Rotary on-off | C.P. bezel | Single hole | Black knob with white arrow. |
| 31375 | BMS1 | Boot lamp | Gravity | Natural | Two hole | Mercury contact; for Rolls-Royce. |
| 31379 | TS82 | Trafficator | Rotary three way | Black | Two hole | Dash fixing. |
| 31382 | 55C | Stop lamp | Pull | — | Two hole | — |
| 31387 | PRS5 | Lighting | Rotary three way | — | Single hole for wooden facia | Three position; head and side lights. |
| 31404 | 94 | Roof lamp | Push | C.P. | Two hole | As 31175 except for length of plunger travel. |
| 31416 | PRS3 | Lighting and ignition | Rotary three way | C.P. bezel | Spring circlip | Less lock; six terminals. |
| 31421 | PRS3 | Lighting and ignition | Rotary three way | Black bezel | Spring circlip | Less lock; five terminals. |
| 31422 | 22B | Reverse lamp | Push | Black | Two hole | Less clip and screw. |
| 31423 | SD87 | Trafficator | Rotary three way | Moulded body; C.P. fixing nut | Single hole | Red clear plastic rotor. |
| 31426 | PRS7 | Lighting | Rotary three way | Natural | Single hole | Hexagonal fixing nut; long bush. |
| 31428 | PRS7 | Lighting | Rotary four way | Natural | Single hole | Hexagonal fixing nut; short bush. |
| 31434 | PS7 | Panel | Push-pull | C.P. nut | Single hole | Less knob; hexagonal spindle. |
| 31440 | HL2 | Stop lamp | Hydraulic | — | Screw-in | For hydraulic brakes; as 31082, but $\frac{3}{8}$ " U.N.F. thread. |

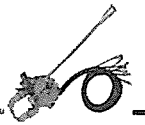


LIGHTING AND DIRECTION INDICATOR SWITCHES



For detailed spare parts, see pages Q13-Q19

LIGHTING AND DIRECTION INDICATOR SWITCHES

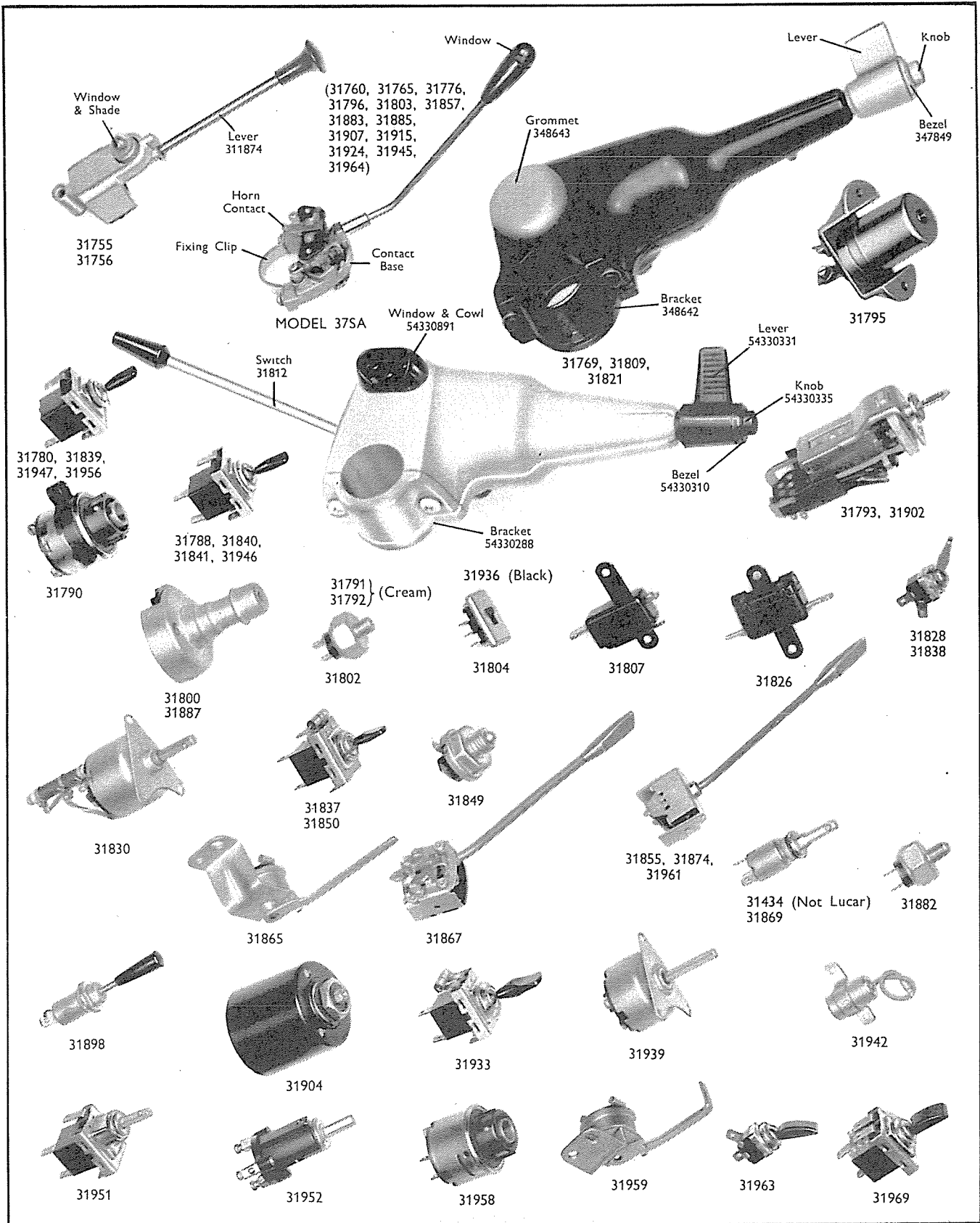


Descriptive Reference—continued

| Part No. | Model | Usage | Action | Finish | Fixing | Special Features |
|----------|-------|--------------------------------|-------------------------------------|----------------------------|------------------|---|
| 31444 | PPG1 | Lighting | Two stage pull on-push off | C.P. fixing nut | Single hole | As 31126, but terminals reversed. |
| 31456 | PRS9 | Panel and map light | Combined rotary and pull-push | Natural | Three hole plate | Three positions, marked 'OFF-DIM-BRIGHT'; $\frac{3}{4}$ ohm resistance. |
| 31472 | No. 8 | Boot lamp and door light | Push | C.P. | Two hole | — |
| 31476 | SD84 | Flasher | Rotary three way .. | Cream lever | Two hole | Red warning light; for wooden panel. |
| 31478 | SS10 | Reverse light | Push | Black | Screw-in | Long plunger; fitted to gearbox. |
| 31482 | No. 9 | Dipper | Lever on-off | Black | 1" clip | Supplied with packing piece for $\frac{3}{4}$ " bar. |
| 31486 | 6SA | Stop light | Lever on-off | — | Two hole flange | Brake operated. |
| 31494 | MS6 | Dipper | Lever on-off | Black | Two hole | Hand operated. |
| 31502 | SC81 | Direction indicator | Lever | C.P. lever | Steering column | Self-cancelling. |
| 31509 | PRS7 | Flasher | Rotary three way .. | C.P. fixing nuts | Single hole | Less knob; two fixing nuts. |
| 31516 | PRS3 | Lighting and ignition | Rotary three way .. | Black | Spring | Less lock; three positions, marked 'OFF-SIDE-HEAD'. |
| 31524 | PRS7 | Lighting | Rotary four way .. | C.P. fixing nut | Single hole | Less knob; four positions, marked 'OFF-SIDE-HEAD-FOG'. |
| 31527 | PS9 | Interior | Push on-off, tumbler .. | C.P. fixing nut | Single hole | Black knob, marked 'INT' in white. |
| 31528 | PS9 | Panel | Push on-off, tumbler .. | C.P. fixing nut | Single hole | Black knob, marked 'P' in white. |
| 31533 | 13SA | Flasher | Lever three way .. | C.P. lever | Clamp | Diecast housing; stone grey knob. |
| 31542 | SS10 | Reverse light | Push | — | Screw-in | Short plunger; fitted to gearbox. |
| 31544 | 18SA | Panel | Toggle | C.P. fixing nut | Single hole | Black moulded knob. |
| 31550 | 13SA | Flasher | Lever three way .. | C.P. lever | Clip | Pipe grey knob. |
| 31556 | 6SA | Stop light | Lever on-off | — | Two hole flange | Brake operated. |
| 31559 | 20SA | Direction indicator | Lever | Black | Steering column | Self-cancelling. |
| 31561 | SD84 | Flasher | Rotary three way .. | Cream | Two hole | Red window; 6 volt bulb. |
| 31564 | SD84 | Flasher | Rotary three way .. | Black body; cream bezel .. | Two hole | Green window; 12 volt bulb. |
| 31565 | SD84 | Flasher | Rotary three way .. | Black body; cream bezel .. | Two hole | Green window; 24 volt bulb. |
| 31567 | PRS3 | Lighting and ignition | Rotary three way .. | Black | Spring | Less lock and knob. |
| 31568 | PRS7 | Lighting | Rotary three way .. | C.P. fixing nut | Single hole | — |
| 31570 | PRS7 | Pillar light | Rotary three way .. | C.P. fixing nut | Single hole | Special shank; for Rolls-Royce. |
| 31571 | 18SA | Roof and map lights | Toggle | C.P. fixing nut | Single hole | White moulded handle. |
| 31600 | PS6 | Foglamp | Rotary on-off | C.P. bezel | Single hole | Short body; plain black knob. |
| 31608 | 37SA | Flasher | Lever three way .. | C.P. lever | Clip | Illuminated knob. |
| 31609 | 37SA | Flasher | Lever three way .. | C.P. lever | Clip | — |
| 31611 | TS82 | Trafficator | Rotary three way .. | Black | Two hole | Column fixing. |
| 31622 | 13SA | Flasher | Lever three way .. | C.P. lever | Clip | Pipe grey knob. |
| 31625 | 37SA | Flasher | Lever three way .. | C.P. lever | Clip | Black knob; incorporates horn contact. |
| 31630 | 37SA | Flasher | Lever three-way .. | C.P. lever | Clip | Illuminated knob. |
| 31633 | 42SA | Flasher and horn .. | Combined lever and push | C.P. lever | Clip | Black knob. |
| 31638 | 6SA | Stop lamp | Lever on-off | — | Two hole flange | Brake operated. |
| 31641 | 37SA | Flasher | Lever three way .. | C.P. lever | Clip | Pebble grey knob; incorporates knob contact. |
| 31645 | BMS1 | Boot lamp | Gravity | Natural | Two hole | Mercury contact; for Rolls-Royce. |
| 31646 | MS6 | Dipper | Lever on-off | Black | Two hole | Hand operated. |
| 31655 | PRS3 | Lighting | Rotary three way .. | Black; C.P. rim | Spring | Three positions, marked 'OFF-S-H'. |
| 31662 | 10SA | Lighting | Combined rotary and pull | C.P. fixing nut | Single hole | Less knob; pull for exterior lamps, rotate for interior. |
| 31663 | 54SA | Courtesy light | Push | — | Single hole | — |
| 31664 | 37SA | Direction indicator | Lever three way .. | C.P. lever | Clip | Amber warning light in handle. |
| 31673 | MS6 | Dipper | Lever on-off | Black | Two hole | Hand operated. |
| 31675 | SD84 | Flasher | Rotary three way .. | Black base; cream cover .. | Two hole | Red window; 6 volt bulb. |
| 31680 | 55SA | Reverse lamp | Rotary, lever operated | — | Flange | For Borg Warner transmission only; is also an inhibitor switch. |
| 31692 | 6SA | Stop lamp | Lever on-off | — | Flange | Brake operated. |
| 31695 | SD84 | Direction indicator | Rotary three way .. | Cream | Two hole | No warning light. |
| 31696 | 56SA | Reverse lamp | Pull on-push off | C.P. fixing nut | Single hole | Hand operated. |
| 31712 | 37SA | Flasher | Lever three way .. | C.P. lever | Clip | Black knob; incorporates horn contact. |
| 31713 | 37SA | Flasher | Lever three way .. | C.P. lever | Clip | Black knob; incorporates horn contact. |
| 31727 | 52SA | Dipper | Toggle | C.P. fixing nut | Single hole | Hand operated; black knob. |
| 31732 | 37SA | Flasher | Lever three way .. | C.P. lever | Clip | Pearl grey knob; L.H. cranked lever. |
| 31733 | 13SA | Flasher | Lever three way .. | C.P. lever | Clip | Pearl grey knob; for U.S.A. only. |
| 31734 | 37SA | Flasher | Lever three way .. | C.P. lever | Clip | Black knob; R.H. cranked lever. |
| 31735 | 37SA | Flasher | Lever three way .. | C.P. lever | Clip | Black knob; L.H. cranked lever. |
| 31736 | 13SA | Flasher | Lever three way .. | C.P. lever | Clip | Black knob; for U.S.A. only. |
| 31737 | 37SA | Flasher | Lever three way .. | C.P. lever | Clip | Pebble grey knob. |
| 31738 | 13SA | Flasher | Lever three way .. | C.P. lever | Clip | Pebble grey knob; for U.S.A. only. |
| 31743 | 57SA | Trafficator | Toggle three way .. | C.P. fixing nut | Single hole | Black knob. |
| 31750 | 21SA | Dipper | Push on-off | — | Two hole | Foot operated. |
| 31755 | 42SA | Trafficator and horn push | Combined lever and push | C.P. lever | Clip | With warning light in handle. |
| 31756 | 42SA | Flasher and horn push | Combined lever and push | C.P. lever | Clip | With warning light in handle. |
| 31760 | 37SA | Direction indicator | Lever three way .. | C.P. lever | Clip | Illuminated knob. |
| 31765 | 37SA | Direction indicator | Lever three way .. | C.P. lever | Clip | Amber warning light in handle. |
| 31769 | 51SA | Lighting and horn push | Combined rotary and push | Black body; grey knob .. | Steering column | For 12 volt circuit. |
| 31776 | 37SA | Direction indicator | Lever three way .. | Black | Clip | Two-piece diecast cover; special knob. |
| 31780 | 57SA | Interior light | Toggle two way .. | C.P. nut; black handle .. | Single hole | Hexagon nut; Lucar connectors |
| 31788 | 57SA | Lighting | Toggle three way .. | C.P. nut; black handle .. | Single hole | Hexagon nut; Lucar connectors. |

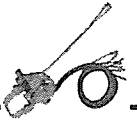


LIGHTING AND DIRECTION INDICATOR SWITCHES



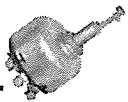
For detailed spare parts, see pages Q13-Q19

LIGHTING AND DIRECTION INDICATOR SWITCHES

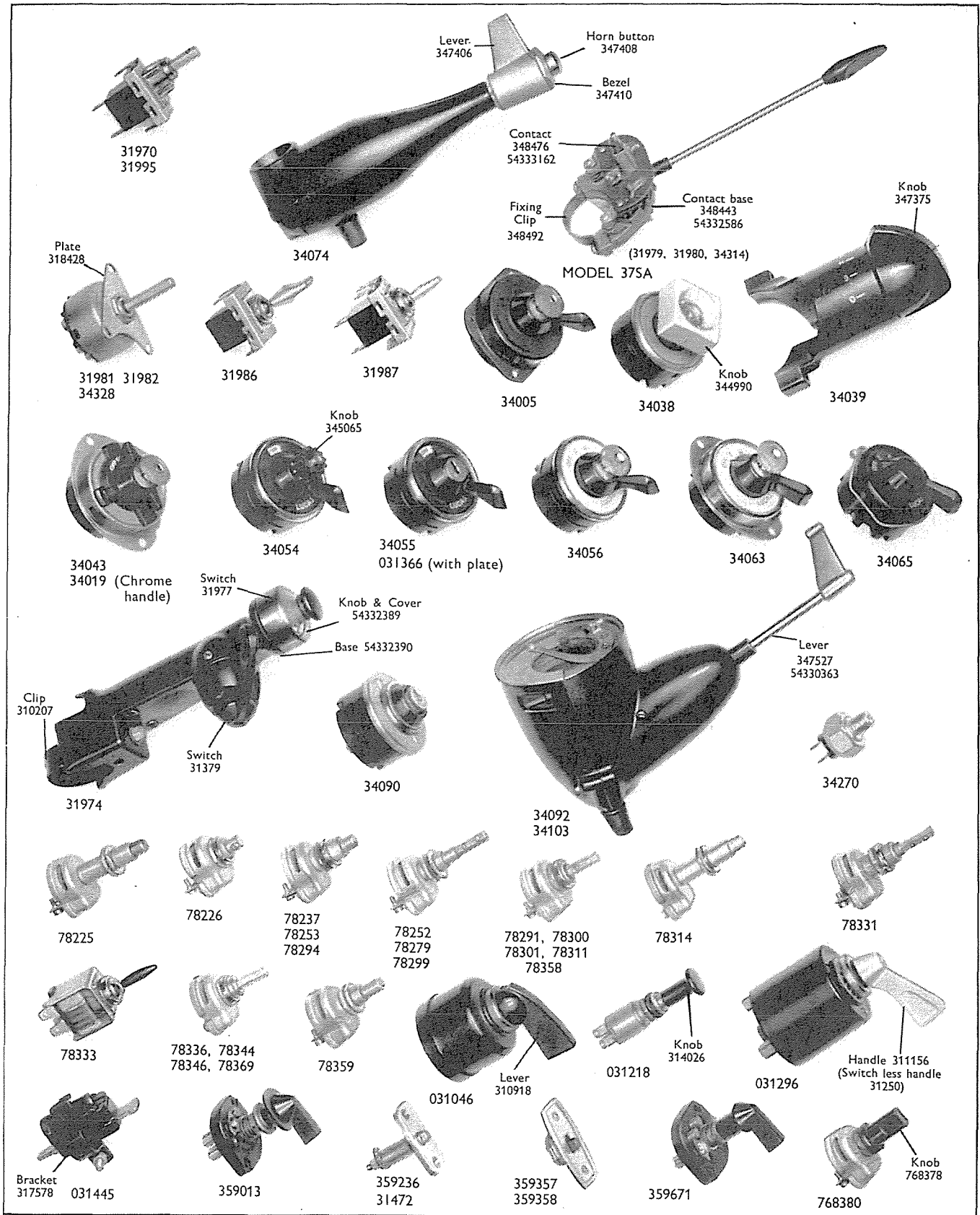


Descriptive Reference—continued

| Part No. | Model | Usage | Action | Finish | Fixing | Special Features |
|----------|--------|------------------------------------|---------------------------------------|---------------------------------|---------------------|--|
| 31790 | PRS3 | Lighting and ignition | Rotary three way .. | Black dial; C.P. bezel .. | Spring circlip | Less lock; 24 volt. |
| 31791 | 66SA | Lighting, flasher and horn push | Multiple | — | Steering column | Four position, off, side, dip and head; warning lights in casting. |
| 31792 | 66SA | Lighting and horn push | Multiple | — | Steering column | Four position, off, side, dip and head. |
| 31793 | 10SA | Lighting | Two stage pull on—push off | C.P. fixing nut | Single hole | Less knob. |
| 31795 | FS22-1 | Dipper | Push on—off | Natural | Two hole flange | Foot operated; similar to 31234, but with special sunken fixing bracket. |
| 31796 | 37SA | Flasher | Lever three way .. | C.P. lever | Clip | Pebble grey knob; incorporates horn contact. |
| 31800 | 21SA | Dipper | Push on—off | — | Two hole | Foot operated. |
| 31802 | HL2 | Stop lamp | Hydraulic | — | Screw-in | For hydraulic brakes; Lucar con- nectors. |
| 31803 | 37SA | Flasher | Lever three way .. | C.P. lever | Clip | Lucar connectors. |
| 31804 | 67SA | Door pillar | Slide | C.P. cover; black knob .. | Push-in | Lucar connectors. |
| 31807 | 22B | Reverse light .. | Push | Black | Two hole strap | Gear operated; Lucar connectors. |
| 31809 | 51SA | Lighting and horn push | Combined rotary and push | Black body; grey knob .. | Steering column | For 24 volt circuit. |
| 31821 | 51SA | Lighting, horn push and flasher | Combined rotary and push | Green base | Steering column | For 24 volt circuit. |
| 31826 | 22B | Reverse light .. | Push | Black | Two hole strap | Gear operated. |
| 31828 | 65SA | Panel light | Lever on—off | C.P. fixing nut; black knob .. | Single hole | Lucar connectors. |
| 31830 | PRS9 | Map and panel light | Combined rotary and push—pull | Natural | Three hole plate | Three positions, marked 'OFF- DIM—BRIGHT'; 1-3 ohms resis- tance. |
| 31837 | 57SA | Lighting | Toggle three way .. | C.P. fixing nut; black knob .. | Single hole | 47 ohms resistance. |
| 31838 | 65SA | Panel light | Lever on—off | C.P. bezel; black knob .. | Single hole | Special bevelled bezel; Lucar con- nectors. |
| 31839 | 57SA | Panel light | Toggle | C.P. bezel; black knob .. | Single hole | Special bevelled bezel. |
| 31840 | 57SA | Driving lamp .. | Toggle three way .. | C.P. fixing nut; black knob .. | Single hole | Lucar connectors. |
| 31841 | 57SA | Lighting | Toggle three way .. | C.P. bezel; black knob .. | Single hole | Special countersunk bezel; Lucar connectors. |
| 31849 | SS10 | Reverse lamp .. | Gear lever operated .. | — | Screw-in | Lucar connectors. |
| 31850 | 57SA | Lighting | Toggle three way .. | C.P. fixing nut; black knob .. | Single hole | 47 ohms resistance. |
| 31855 | 71SA | Lighting | Lever three way .. | C.P. lever; grey knob .. | Steering column | Three positions: off, dip and main beam. |
| 31857 | 37SA | Flasher | Lever three way .. | C.P. lever | Clip | Amber window; 12 volt bulb. |
| 31865 | 6SA | Stop lamp | Lever on—off | — | Two hole flange | Brake operated; extra long lever. |
| 31867 | 72SA | Flasher | Lever three way .. | C.P. lever; grey knob .. | Steering column | — |
| 31869 | PS7 | Panel light | Pull on—push off .. | C.P. fixing nut | Single hole | Less knob. |
| 31874 | 71SA | Lighting | Lever three way .. | C.P. lever; grey knob .. | Steering column | For North America only. |
| 31882 | HL2 | Stop lamp | Hydraulic | — | Screw-in | For hydraulic brakes; Lucar con- nectors. |
| 31883 | 37SA | Direction indicator | Lever three way .. | C.P. lever | Clip | Green window; incorporates horn contact. |
| 31885 | 37SA | Direction indicator | Lever three way .. | C.P. lever | Clip | Green window; no horn contact. |
| 31898 | 23SA | Headlamp flasher .. | Pull on—push off .. | C.P. lever; black knob .. | Single hole | For North America; optional fit- ment. |
| 31902 | 10SA | Lighting and panel | Combined rotary and pull—push | — | Single hole | Two stage pull for exterior lights, rotate for panel lights. |
| 31904 | TPS1-1 | Flasher | Pneumatic | — | Single hole | Less lever. |
| 31907 | 37SA | Flasher | Lever three way .. | C.P. lever | Clip | Incorporates horn contact. |
| 31915 | 37SA | Flasher | Lever three way .. | Black knob | Clip | Special lever; for Rolls-Royce and Bentley. |
| 31924 | 37SA | Flasher | Lever three way .. | C.P. lever | Clip | Window in knob. |
| 31933 | 57SA | Lighting | Toggle three way .. | C.P. fixing nut; black knob .. | Single hole | Lucar connectors; with resistance. |
| 31936 | 66SA | Lighting and horn push | Rotary lever and push button | Matt black | Steering column | Four positions: off, side, dip and head. |
| 31939 | 81SA | Map and panel light | Combined pull and rotary three way | — | Three hole plate | 19 ohms resistance; for Rolls-Royce and Bentley. |
| 31942 | BMS1 | Boot light | Gravity | — | Two hole strap | Mercury contact. |
| 31945 | 37SA | Trafficator | Lever three way .. | C.P. lever | Clip | Green window in handle. |
| 31946 | 57SA | Lighting | Toggle three way .. | C.P. fixing nut | Single hole | Lucar connectors. |
| 31947 | 57SA | Panel | Toggle three way .. | C.P. fixing nut | Single hole | Lucar connectors. |
| 31951 | 58SA | Lighting | Two stage pull on—push off | C.P. fixing nut | Single hole | Less knob; Lucar connectors. |
| 31952 | PPG1 | Lighting | Two stage pull on—push off | Moulded body; C.P. fixing nut | Single hole | Special nut with longer sleeve. |
| 31956 | 57SA | Panel | Toggle | C.P. fixing nut | Single hole | Lucar connectors. |
| 31958 | PRS3 | Lighting and ignition | Rotary three way .. | C.P. rim | Spring circlip | Less lock; Lucar connectors. |
| 31959 | 6SA | Stop lamp | Lever on—off | — | Flange | Brake operated; angled lever. |
| 31961 | 71SA | Lighting | Lever four way .. | C.P. lever; grey knob .. | Steering column | Four positions: off, side, dip and main beam; for left hand drive. |
| 31963 | 65SA | Map and interior .. | Lever on—off | C.P. fixing nut; black lever .. | Single hole | Lucar connectors. |
| 31964 | 37SA | Flasher | Lever three way .. | C.P. lever; black knob .. | Clip | Less fixing clip. |
| 31969 | 57SA | Panel light | Toggle three way .. | C.P. fixing nut; black lever .. | Single hole | 4 ohms resistance. |
| 31970 | 58SA | Lighting | Two stage pull on—push off | C.P. fixing nut | Single hole | Less knob; Lucar connectors. |
| 31974 | CS58A | Trafficator and horn push | Lever three way and push | Black; C.P. cover | Steering column | — |
| 31979 | 37SA | Flasher | Lever three way .. | C.P. lever; black knob .. | Clip | For right hand drive. |
| 31980 | 37SA | Flasher | Lever three way .. | C.P. lever; black knob .. | Clip | For left hand drive. |
| 31981 | PRS7 | Lighting | Rotary four way .. | Natural | Three hole plate | Less knob. |
| 31982 | PRS7 | Lighting | Rotary three way .. | Natural | Three hole plate | Less knob. |
| 31986 | 57SA | Flasher | Toggle three way .. | C.P. fixing nut; cream knob | Single hole | — |



LIGHTING AND DIRECTION INDICATOR SWITCHES



For detailed spare parts, see pages Q13-Q19

LIGHTING AND DIRECTION INDICATOR SWITCHES



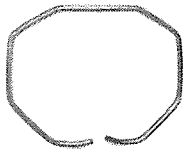





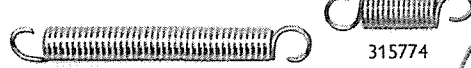



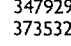

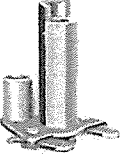


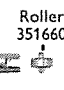


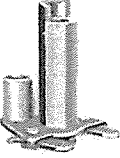
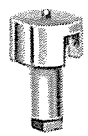





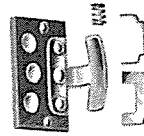
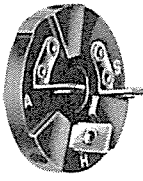
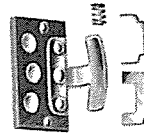
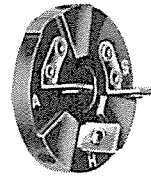

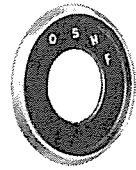
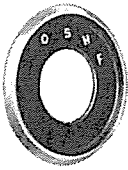

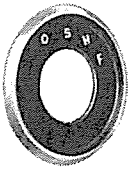

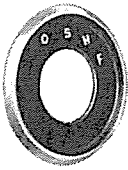
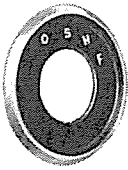

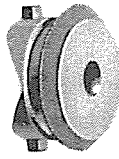

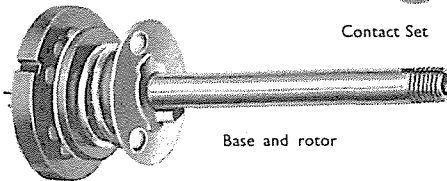
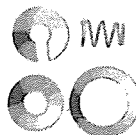

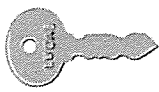

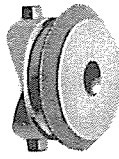

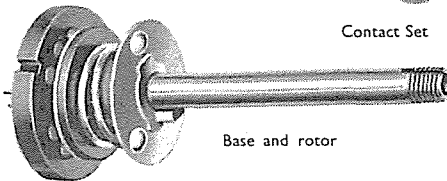
Descriptive Reference—continued

| Part No. | Model | Usage | Action | Finish | Fixing | Special Features |
|----------|-------|------------------------|------------------------------------|-----------------------------------|------------------|---|
| 31987 | 57SA | Lighting | Toggle three way .. | C.P. fixing nut; cream knob | Single hole | — |
| 31995 | 58SA | Lighting | Two stage pull on—push off | C.P. fixing nut | Single hole | Less knob; Lucar connectors. |
| 34005 | PLC6 | Lighting and ignition | Rotary three way .. | Brown dial; upswept knob .. | Four hole flange | No lettering. |
| 34019 | PLC2 | Lighting and ignition | Rotary three way .. | C.P. dial and handle | Two hole flange | Marked 'OFF-SIDE-HEAD'. |
| 34038 | PLC6 | Lighting and ignition | Rotary three way .. | Square ivory knob | Single hole | No marking. |
| 34039 | CRS | Lighting | Rotary three way .. | Black | Steering column | Marked 'O-S-H'. |
| 34043 | PLC6 | Lighting and ignition | Rotary three way .. | Black handle and dial .. | Two hole flange | Marked 'OFF-SIDE-HEAD'. |
| 34054 | PLC6 | Lighting and ignition | Rotary three way .. | C.P. bezel; black handle and knob | Spring circlip | Dial marked 'OFF-S-H', knob marked 'ON'. |
| 34055 | PLC6 | Lighting and ignition | Rotary three way .. | C.P. bezel; black upswept handle | Spring circlip | Marked 'OFF-S-H'. |
| 34056 | PLC6 | Lighting and ignition | Rotary three way .. | Cream dial; brown upswept handle | Spring circlip | Marked 'OFF-S-H' in brown. |
| 34063 | PLC6 | Lighting and ignition | Rotary three way .. | Cream dial; brown handle .. | Two hole flange | Marked 'OFF-S-H' in brown. |
| 34065 | PLC5 | Lighting | Rotary three way .. | Black | Spring circlip | Marked 'OFF-S-H'. |
| 34074 | CRS2 | Lighting and horn push | Push and rotary four way | Black | Steering column | Marked 'OFF-SIDE-HEAD-DIP'. |
| 34090 | PLC6 | Lighting and ignition | Rotary three way .. | — | Spring circlip | Less handle; complete with lock. |
| 34092 | CRS3 | Lighting | Rotary four way .. | Black; C.P. lever | Steering column | — |
| 34103 | CRS3 | Lighting | Rotary four way .. | Black; C.P. lever | Steering column | — |
| 34270 | HL2 | Stop lamp | Hydraulic | — | Screw-in | Metric thread; Lucar connectors. |
| 34314 | 37SA | Flasher | Lever three way .. | C.P. lever; black knob .. | Clip | For left hand side of column. |
| 34328 | 81SA | Map and panel .. | Combined pull and rotary three way | — | Plate | 40 ohms resistance; Lucar connectors; for Rolls-Royce and Bentley. |
| 78225 | CHR1 | Panel light | Rotary | Brass fixing nut | Single hole | Less knob; 1 1/2" bush; 4.25 ohms resistance; grub screw knob fitting. |
| 78226 | CHR1 | Panel light | Rotary | C.P. fixing nut | Single hole | Less knob; 1/2" bush; 2.35-2.65 ohms resistance; grub screw knob fitting. |
| 78237 | CHR1 | Panel light | Rotary | C.P. fixing nut | Single hole | Less knob; 3/8" bush; 14-16 ohms resistance; grub screw knob fitting. |
| 78252 | CHR1 | Panel light | Rotary | Brass fixing nut | Single hole | Less knob; 3/8" bush; 23.3-26.7 ohms resistance; push-on knob fitting. |
| 78253 | CHR1 | Panel light | Rotary | C.P. fixing nut | Single hole | Less knob; 3/8" bush; 7-8 ohms resistance; grub screw knob fitting. |
| 78279 | CHR1 | Panel light | Rotary | Brass fixing nut | Single hole | Less knob; 3/8" bush; 5-6 ohms resistance; push-on knob fitting. |
| 78291 | CHR1 | Panel light | Rotary | C.P. fixing nut | Single hole | 1/2" bush; 23.3-26.7 ohms resistance; push-on knob fitting. |
| 78294 | CHR1 | Panel light | Rotary | C.P. fixing nut | Single hole | 3/8" bush; 11.6-13.4 ohms resistance; grub screw knob fitting. |
| 78299 | CHR1 | Panel light | Rotary | Brass fixing nut | Single hole | Less knob; 3/8" bush; 11.6-13.4 ohms resistance; push-on knob fitting. |
| 78300 | CHR1 | Panel light | Rotary | Brass fixing nut | Single hole | 1/2" bush; 8.5-9 ohms resistance; less knob, rotor and spindle. |
| 78301 | CHR1 | Panel light | Rotary | Brass fixing nut | Single hole | 1/2" bush; 4.5-5 ohms resistance; less knob, rotor and spindle. |
| 78311 | CHR1 | Panel light | Rotary | C.P. fixing nut | Single hole | Less knob; 1/2" bush; 11.6-13.4 ohms resistance; push-on knob fitting. |
| 78314 | CHR1 | Panel light | Rotary | C.P. fixing nut | Single hole | Less knob; 1 1/2" bush; 11.6-13.4 ohms resistance; grub screw knob fitting. |
| 78331 | CHR1 | Panel light | Rotary | C.P. fixing nut | Single hole | Push-on knob; 3/8" bush; 11 ohms resistance. |
| 78333 | 4R | Panel light | Toggle | C.P. fixing nut; black knob .. | Single hole | 7-8 ohms resistance; Lucar connectors. |
| 78336 | CHR1 | Panel light | Rotary | C.P. fixing nut | Single hole | Less knob; 15 ohms resistance; push-on knob fitting. |
| 78344 | 3R | Panel light | Rotary | C.P. fixing nut | Single hole | Less knob; .84" bush; 12.5 ohms resistance. |
| 78346 | 3R | Panel light | Rotary | C.P. fixing nut | Single hole | Less knob; .44" bush; 12.5 ohms resistance. |
| 78353 | 3R | Panel light | Rotoary | C.P. fixing nut | Single hole | Less knob; .437" bush; 25 ohms resistance. |
| 78358 | 3R | Panel light | Rotary | C.P. fixing nut | Single hole | Less knob; 25 ohms resistance. |
| 78359 | 3R | Panel light | Rotary | C.P. fixing nut | Single hole | 5-6 ohms resistance. |
| 78363 | 3R | Panel light | Rotary | C.P. fixing nut | Single hole | Less knob; 12.5 ohms resistance. |
| 78369 | 3R | Panel light | Rotary | C.P. fixing nut | Single hole | Less knob; .84" bush; 12.5 ohms resistance. |
| 031046 | TS1 | Trafficator | Rotary three way .. | Brown | Single hole | Time switch; complete with lever. |
| 031218 | PS7-1 | Panel light | Pull on—push off .. | C.P. fixing nut | Single hole | Comprises switch 31201 and knob 314026. |
| 031296 | TPS1 | Direction indicator | Rotary three way .. | Brown | Single hole | Pneumatic time switch; as 31250, but complete with handle 311156. |
| 031445 | 22B | Stop lamp | Pull on | Black | Clip | Less clip and screw. |
| 359013 | S37 | Lighting | Rotary three way .. | — | Two hole | With cable. |
| 359236 | 88 | Boot light | Push | C.P. | Two hole | As 359358, but larger; black knob. |
| 359357 | 10 | Panel light | Slide | C.P. escutcheon plate | Two hole | As 359357, but smaller; black knob. |
| 359358 | 10 | Roof or boot light | Slide | C.P. escutcheon plate | Two hole | Complete with lever and stem. |
| 359671 | S37 | Foglamp | Rotary on-off | Moulded body | Two hole | 1/2" bush; 7-8 ohms resistance; complete with knob. |
| 768380 | CHR1 | Panel light | Rotary | Black fixing nut | Single hole | |



LIGHTING AND DIRECTION INDICATOR SWITCHES

For details of switches with serviceable parts consisting only of terminal screw or sleeve and/or fixing nut with or without a washer, see page Q17

| | | | | | |
|--|--|--|--|--|--|
| <p>SPRINGS</p>  308234  311102  312068  311884  315543  315726  315774  315746  347850  347929  373532  344197 | | | <p>RUBBER CAPS, RING AND PAD</p>  236741  316072  360026  54331425  523986  312777 | | |
| <p>HEADPIECES</p>  347465  351785  Spring 351662  Roller 351660  Plunger 351661  344197 | | | <p>CONTACT BASES</p>  311314  311873  347358  347477 | | |
| <p>HOUSINGS</p>  347798  348539  54332184 (black) | | | <p>ESCUTCHEON PLATES</p>  315604 ('O-S-H-F')  315608 ('O-S-H')  54850082 ('Panel')  54850085 ('Fog')  54850086 ('Map')  54850094 ('O-S-H-F')  54850095 ('O-S-H') | | |
| <p>SWITCH</p>  311749 | | | <p>TYPICAL SWITCH PARTS</p>  Action Plate  Bulbholder  Contact Set  Lock 345070 and Key  Key 312305  Pawl set 324527  Plunger 311144  Rotor  Base and rotor | | |

For detailed spare parts, see pages Q13-Q19

DETAILED SPARE PARTS

LIGHTING AND DIRECTION INDICATOR SWITCHES

| Part No. Model | 31001 MD6 | 31127 SD84 | 31190 SD84 | 31201 PS7-1 | 31224 U39 | 31227 S37 | 31228 PS7-1 | 31249 PRS3 | 31250 TPS1-1 | 31268 PRS4 | 31270 PRS3 | 31291 No. 9 | 31299 HSC1 |
|--|--------------|---------------|---------------|----------------|--------------|--------------|----------------|---------------|-----------------|---------------|---------------|----------------|---------------|
| Flange, base | 359870 | — | — | — | — | — | — | — | — | — | — | 380488 | — |
| §Handle, fixing | — | — | — | — | 351567 | 327074 | — | — | — | — | — | — | — |
| §Knob | — | — | — | — | — | — | — | — | **311156 | — | — | — | 311061 |
| Screw, fixing base, handle or cover | 136410 | — | — | — | 126544 | — | — | — | 136410 | — | — | — | — |
| Nut, contact stud or cover screw | — | — | — | — | 166103 | — | — | — | 166160 | — | — | — | — |
| §Washer, fixing screw | 188412 | — | — | — | 188408 | — | — | — | — | — | — | — | — |
| Shaft headpiece, or spindle and contacts | — | — | — | — | 351785 | — | — | — | 311314 | — | — | — | — |
| Roller, contact | — | — | — | — | 351660 | — | — | — | — | — | — | — | — |
| Plunger | — | — | — | — | 351661 | — | — | — | 311144 | — | — | — | — |
| Spring, plunger | — | — | — | — | 351662 | — | — | — | 311102 | — | — | — | — |
| §Screw, terminal | 124300 | 120560 | 120560 | 120560 | 120560 | 121610 | 120560 | 132464 | 121610 | 124069 | 132464 | 120610 | 126463 |
| §Washer, terminal screw | — | — | — | — | — | — | — | 185000 | 185012 | 185000 | 185000 | — | 185040 |
| Cover and window | — | 310738 | 310738 | — | — | — | — | — | — | — | — | — | — |
| §Bulb | — | 990 | 984 | — | — | — | — | — | — | — | — | — | — |
| §Key | — | — | — | — | — | — | — | — | — | 312305 | — | — | — |
| Nut, fixing | — | — | — | 314017 | — | — | 316207 | — | 311145 | — | — | — | — |
| Nut, fixing, rear | — | — | — | 180093 | — | — | 180093 | — | — | — | — | — | — |
| Washer, spring or shakeproof | — | — | — | 185081 | — | — | 185081 | — | 188303 | — | — | — | — |
| Spring, fixing | — | — | — | — | 308234 | — | — | 312068 | — | 312068 | 312068 | — | — |
| §Ring, fixing | — | — | — | — | 523986 | — | — | — | — | — | — | — | — |

| Part No. Model | 31303 PRS5 | 31311 SD84 | 31331 PS20 | 31346 SC81 | 31356 PS6 | 31387 PRS5 | 31416 PRS3 | 31421 PRS3 | 31423 SD87 | 31426 PRS7 | 31428 PRS7 | 31434 PS7 | 31476 SD84 |
|-----------------------------|---------------|---------------|---------------|---------------|--------------|---------------|---------------|---------------|---------------|---------------|---------------|--------------|---------------|
| §Screw, terminal | 132504 | 120560 | 132464 | — | 121610 | 132504 | 132464 | 132464 | 132464 | 132464 | 132464 | 120560 | 120560 |
| §Washer, terminal screw | 185000 | — | 185000 | — | — | 185000 | 185000 | 185000 | 188412 | 185000 | 185000 | — | — |
| Cover and window | — | 310738 | — | — | — | — | — | — | — | — | — | — | 310738 |
| §Bulb | — | 987 | — | — | — | — | — | — | — | — | — | — | 987 |
| Nut or screw, fixing | 182660 | — | 315081 | — | 180670 | 182660 | — | — | — | 182660 | 182660 | 317543 | — |
| Nut, fixing, rear | — | — | — | — | †158350 | — | — | — | — | 182660 | — | 180093 | — |
| Washer, fixing nut or screw | — | — | — | — | 185188 | — | — | — | — | 185106 | — | 185081 | — |
| Spring, fixing | — | — | — | — | — | — | 312068 | 312068 | — | — | — | — | — |
| §Lever | — | — | — | 347482 | — | — | — | — | 311229 | — | — | — | — |
| §Headpiece, action | — | — | — | 347465 | — | — | — | — | — | — | — | — | — |
| Contact base | — | — | — | 347477 | — | — | — | — | — | — | — | — | — |
| Sundry parts, set | — | — | — | 347486 | — | — | — | — | — | — | — | — | — |

| Part No. Model | 31482 No. 9 | 31494 MS6 | 31502 SC81 | 31509 PRS7 | 31516 PRS3 | 31524 PRS7 | ‡31533 13SA | 31544 18SA | ‡31550 13SA | 31559 20SA | 31561 SD84 | 31564 SD84 | 31565 SD84 | 31567 PRS3 |
|---------------------------------------|----------------|--------------|---------------|---------------|---------------|---------------|----------------|---------------|----------------|---------------|---------------|---------------|---------------|---------------|
| §Screw, terminal or cable clip | 120610 | 124300 | — | 132464 | 132464 | 132464 | — | 132564 | — | 132464 | 120560 | 120560 | 120560 | 132464 |
| §Washer, terminal screw or cable clip | — | — | — | 185000 | 185000 | 185000 | — | 185009 | — | 188412 | — | — | — | 185000 |
| Cover and window | — | — | — | — | — | — | — | — | — | — | 310738 | 311024 | 311024 | — |
| §Bulb | — | — | — | — | — | — | — | — | — | 280 | 990 | 987 | 650 | — |
| Nut, clip or screw fixing | 380427 | 136410 | — | 182660 | — | 182660 | 347923 | 315081 | 347923 | ††133380 | — | — | — | — |
| Screw, cover fixing | — | — | — | — | — | — | — | — | — | 145580 | — | — | — | — |
| Nut, fixing, rear | — | — | — | 182660 | — | 182660 | — | ‡166013 | — | — | — | — | — | — |
| Washer, fixing nut or screw | — | 185012 | — | 185016 | — | 185106 | — | — | — | 188412 | 311037 | — | — | — |
| Contact, horn, or connector, bulb | — | — | — | — | — | — | 54332109 | — | 348454 | — | — | — | — | — |
| Spring, fixing, or pawl centering | — | — | — | — | 312068 | — | 347682 | — | 347682 | — | — | — | — | 312068 |
| §Lever | — | — | 347482 | — | — | — | — | — | — | — | — | — | — | — |
| §Headpiece, action | — | — | 347465 | — | — | — | — | — | — | — | — | — | — | — |
| Contact base | — | §362271 | 347493 | — | — | — | 347924 | — | 347924 | — | — | — | — | — |
| Sundry parts, set | — | — | 347486 | — | — | — | — | — | — | — | — | — | — | — |
| Wheel and rivet | — | — | — | — | — | — | — | — | — | 360282 | — | — | — | — |

† Plain washer ‡ Housing 347798 supplied separately; cable channel 347683, contact plate 347779 and striker 347818 serviced by Vehicle Manufacturer § Recommended spares for stock
 ‡ Striker 347818 serviced by Vehicle Manufacturer † Terminal nut § And lever ** Supplied separately †† Screw, cover fixing

DETAILED SPARE PARTS

Q14

31568 — 31803

LIGHTING AND DIRECTION INDICATOR SWITCHES

| Part No. Model | 31568 PRS7 | 31570 PRS7 | 31600 PS6 | 31608 37SA | 31609 37SA | ‡31622 13SA | 31625 37SA | 31630 37SA | 31633 42SA | 31641 37SA | 31646 MS6 | 31655 PRS3 | 31664 37SA |
|-----------------------------------|---------------|---------------|--------------|---------------|---------------|----------------|---------------|---------------|---------------|---------------|--------------|---------------|---------------|
| §Screw, terminal | 132464 | 132464 | 121610 | — | — | — | — | — | — | — | 120560 | 132464 | — |
| §Washer, terminal screw | 185000 | 185000 | §185188 | — | — | — | — | — | — | — | — | 185000 | — |
| §Window, bulb | — | — | — | 347573 | 347573 | — | — | 347573 | — | — | — | — | 347573 |
| §Bulb | — | — | — | 280 | 280 | — | — | 280 | — | — | — | — | 280 |
| §Bulb holder | — | — | — | 347769 | 347769 | — | — | 348640 | — | — | — | — | 347769 |
| Nut, clip or screw, switch fixing | 183891 | †100847 | 180670 | 348442 | 348320 | 347923 | 348442 | 348442 | — | 347523 | 126580 | — | 348442 |
| Nut, fixing, rear | 182660 | — | — | — | — | — | — | — | — | — | — | — | — |
| Washer, fixing, nut or screw | 185106 | — | 158350 | — | — | — | — | — | — | — | 185040 | — | — |
| Contact and/or base | — | — | — | 348443 | 348443 | 347924 | 348443 | 348443 | 311873 | 348443 | ‡362268 | — | 348443 |
| Contact, horn | — | — | — | — | — | 348454 | 348581 | — | — | 348476 | — | — | — |
| Spring, fixing, or pawl centering | — | — | — | 348323 | 348323 | 347682 | 348323 | 348323 | — | 348323 | — | 312068 | — |
| Spring, earthing or lever | — | — | — | 347929 | 347929 | — | — | 347929 | — | — | — | — | 347929 |
| Lever | — | — | — | — | — | — | — | — | 311884 | — | — | — | — |
| Housing | — | — | — | — | — | — | — | — | 311887 | — | 362252 | — | — |

| Part No. Model | 31673 MS6 | 31675 SD84 | 31695 SD84 | 31696 56SA | 31712 37SA | 31713 37SA | 31732 37SA | 31733 13SA | 31734 37SA | 31735 37SA | 31736 13SA | 31737 37SA |
|-----------------------------------|--------------|---------------|---------------|---------------|---------------|---------------|---------------|---------------|---------------|---------------|---------------|---------------|
| §Screw or sleeve, terminal | 124300 | 120560 | 120560 | 188818 | — | — | — | — | — | — | — | — |
| Cover and/or window | — | 310738 | 310688 | — | — | — | — | — | — | — | — | — |
| §Bulb | — | 990 | — | 281 | — | — | — | — | — | — | — | — |
| Nut, clip or screw, switch fixing | — | — | — | 180810 | 348442 | 348442 | 347923 | 347923 | 347923 | 347923 | 347923 | 347923 |
| Contact and/or base | — | — | — | — | 348443 | 348443 | 348443 | 347924 | 348443 | 348443 | 347924 | 348443 |
| Contact, horn | — | — | — | — | 348581 | 348581 | 348476 | 348454 | 348476 | 348476 | 348454 | 54330120 |
| Spring, fixing, or pawl centering | — | — | — | 373532 | 348323 | 348323 | 348323 | 347682 | 348323 | 348323 | 347682 | 348323 |
| Knob or lever | 311061 | — | — | 373551 | — | — | — | — | — | — | — | — |

| Part No. Model | 31738 13SA | 31755 42SA | 31756 42SA | 31760 37SA | 31765 37SA | 31769 51SA | 31776 37SA | 31790 PRS3 | 31791 66SA | 31792 66SA | 31796 37SA | 31803 37SA |
|-----------------------------------|---------------|---------------|---------------|---------------|---------------|---------------|---------------|---------------|---------------|---------------|---------------|---------------|
| Bezel | — | — | — | — | — | 347849 | — | — | 54330310 | 54330310 | — | — |
| Knob | — | — | — | — | — | 54330574 | — | — | 54330335 | 54330335 | — | — |
| Contact, horn push or trafficator | 348454 | 311873 | 311873 | 348613 | — | 54330890 | — | — | 54330890 | 54330890 | 348476 | 54334361 |
| Lever | — | 311887 | 311887 | — | — | 54330337 | — | — | 54330331 | 54330331 | — | — |
| Plate, action | — | — | — | — | — | — | — | — | 347738 | 347738 | — | — |
| Base, contact, or rotor and tube | 347924 | — | — | 348443 | 348443 | 54330793 | 348443 | — | 54330889 | 54330889 | 348443 | 348443 |
| §Switch, flasher | — | — | — | — | — | — | — | — | 31812 | — | — | — |
| Window and/or cover/cowl | — | 348511 | 348511 | 347573 | 347573 | — | — | — | 54330891 | 54330891 | — | — |
| Shade | — | 54330252 | 54330252 | — | — | — | — | — | — | — | — | — |
| §Bulb | — | 280 | 280 | 280 | 280 | — | — | — | 280 | 280 | — | — |
| §Bulb holder | — | — | — | 347769 | 348640 | — | — | — | — | — | — | — |
| §Screw, terminal | — | — | — | — | — | — | — | — | 132464 | — | — | — |
| §Washer, terminal screw | — | — | — | — | — | — | — | — | 185000 | — | — | — |
| Screw or clip, switch fixing | 347923 | — | — | 348442 | 348442 | — | 54330333 | — | — | — | 347923 | — |
| Washer, fixing screw | — | — | — | — | — | — | — | — | — | — | — | — |
| Spring, fixing, or pawl centering | 347682 | — | — | 348323 | 348323 | — | 348323 | 312068 | — | — | 348323 | 348323 |
| Spring, earthing or lever | — | 311884 | 311884 | 347929 | 347929 | — | — | — | — | — | — | — |
| Grommet, casing | — | — | — | — | — | 348643 | — | — | — | — | — | — |
| Bracket, clamp or fixing | — | — | — | — | — | 348642 | — | — | 54330288 | 54330288 | — | — |
| §Sundry parts, set | — | — | — | — | — | 54330577 | — | — | 54330892 | 54330892 | — | — |

† Knob fixing screw ‡ Lever and body § Recommended spares for stock ¶ Striker 347818 serviced by Vehicle Manufacturer § Washer, spring, fixing nut

continued

DETAILED SPARE PARTS

| Part No. | 31809 | 31821 | 31857 | 31867 | 31869 | 31883 | 31885 | 31904 | 31907 | 31915 | 31924 | 31936 | 31945 |
|--|----------|-----------|----------|----------|--------|----------|----------|----------|--------|----------|----------|----------|----------|
| Model | 51SA | 51SA | 37SA | 72SA | PS7 | 37SA | 37SA | TPS1-1 | 37SA | 37SA | 37SA | 66SA | 37SA |
| Bezel | 347849 | 347849 | — | — | — | — | — | — | — | — | — | 54330310 | — |
| Knob | 54330574 | 54330574 | — | — | — | — | — | — | — | — | — | 54330335 | — |
| | | †54330552 | | | | | | | | | | | |
| Contact, horn | 54330890 | 54330890 | — | — | — | 348613 | — | — | 348476 | — | 348613 | 54330890 | 348613 |
| Lever | 54330337 | 54330337 | — | — | — | — | — | — | — | — | — | 54330331 | — |
| Plate, action | — | — | — | — | — | — | — | — | — | — | — | 54331625 | — |
| Base, contact, or rotor and tube | 54330794 | 54330794 | 348443 | — | — | 348443 | 348443 | — | 348443 | 348443 | 348443 | 54330889 | 348443 |
| Window and/or cowl | — | — | 347573 | — | — | 54331222 | 54331222 | — | — | — | 54331222 | 54330891 | 54331222 |
| §Bulb | — | — | 280 | — | — | 280 | 280 | — | — | — | 280 | 280 | 280 |
| §Bulb holder | — | — | 54330988 | — | — | 347769 | 348640 | — | — | — | 347769 | — | 347769 |
| Connector, Lucar | — | — | — | — | — | — | — | 199218 | — | — | — | — | — |
| Washer, terminal screw | — | — | — | — | — | — | — | 185012 | — | — | — | — | — |
| Screw or clip, switch or cover fixing | — | — | 54330333 | — | — | 348442 | 348442 | 136410 | 348492 | 54332441 | 348442 | — | 348442 |
| Nut, terminal screw | — | — | — | — | — | — | — | 54130176 | — | — | — | — | — |
| Spring, horn push, or pawl centering | — | — | 348323 | 54332104 | — | 348323 | 438323 | — | 348323 | 348323 | 348323 | — | 348323 |
| Spring, catch or plunger earthing | — | — | — | 54331088 | — | 347929 | — | 311102 | — | — | — | — | 347929 |
| Nut, fixing | — | — | — | — | 314017 | — | — | 311145 | — | — | — | — | — |
| Nut, fixing, rear | — | — | — | — | 180670 | — | — | ‡166160 | — | — | — | — | — |
| Washer, spring or shakeproof | — | — | — | — | 185081 | — | — | 154606 | — | — | — | — | — |
| Switch, flasher, or spindle and contacts | — | 311749 | — | — | — | — | — | 311314 | — | — | — | — | — |
| Pawl or plunger | — | 322103 | — | — | — | — | — | 311144 | — | — | — | — | — |
| Felt, valve | — | — | — | — | — | — | — | 311143 | — | — | — | — | — |
| Grommet, casing | 348643 | — | — | — | — | — | — | — | — | — | — | — | — |
| Bracket, clamp or fixing | 348642 | — | — | — | — | — | — | — | — | — | — | 54330288 | — |
| §Sundry parts, set | 54330577 | 54330577 | — | — | — | — | — | — | — | — | — | 54330892 | — |

| Part No. | 31958 | 31964 | 31974 | 31979 | 31980 | 31981 | 31982 | 34005 | 34019 | 34038 | 34039 | 34043 |
|-----------------------------------|--------|-----------|-----------|--------|--------|--------|--------|--------|--------|--------|--------|--------|
| Model | PRS3 | 37SA | CS58A | 37SA | 37SA | PRS7 | PRS7 | PLC6 | PLC2 | PLC6 | CRS | PLC6 |
| Knob | — | — | ‡54332389 | — | — | — | — | — | — | 344990 | 347375 | — |
| Lock and driving cup | — | — | — | — | — | — | — | 345070 | 345070 | 345070 | — | 345070 |
| Contact, horn | — | §54333162 | — | 348476 | 348476 | — | — | — | — | — | — | — |
| §Contact, switch or base | — | 54332586 | 54332390 | 348443 | 348443 | — | — | — | — | — | 347358 | — |
| Rotor | — | — | — | — | — | — | — | — | — | — | 347361 | — |
| §Switch, trafficator | — | — | 31379 | — | — | — | — | — | — | — | — | — |
| §Switch, horn push and dipper | — | — | 31977 | — | — | — | — | — | — | — | — | — |
| §Window, bulb | — | — | — | — | — | — | — | — | — | — | — | — |
| §Bulb | — | — | — | — | — | — | — | — | — | — | — | — |
| §Bulb holder | — | — | — | — | — | — | — | — | — | — | — | — |
| §Screw, terminal | — | — | 120560 | — | — | 132464 | 132464 | 120560 | 120560 | 120560 | 110774 | 120560 |
| §Washer, terminal screw | — | — | **120610 | — | — | 185000 | 185000 | — | — | — | 188412 | — |
| Screw or clip, switch fixing | — | — | ††136317 | 347923 | 347923 | — | — | — | — | — | — | — |
| | — | — | ‡‡310207 | — | — | — | — | — | — | — | — | — |
| Spring, fixing, or pawl centering | 312068 | 348323 | — | 348323 | 348323 | — | — | — | — | 344197 | — | — |
| Spring, earthing or main | — | — | — | — | — | — | — | — | — | — | 347372 | — |
| Nut, fixing | — | — | — | — | — | 182660 | 182660 | — | — | — | — | — |
| Plate, fixing nut | — | — | — | — | — | 318428 | 318428 | — | — | — | — | — |
| Screw, plate fixing | — | — | 117531 | — | — | — | — | — | — | — | — | — |

| | | | | | | | |
|------------------|--------------------------------|----------------|-------------|-----------------|--------------------|----------|---------|
| † Flasher switch | § Recommended spares for stock | ‡ Cover fixing | † And cover | § Warning light | ** Screw, terminal | †† Screw | ‡‡ Clip |
|------------------|--------------------------------|----------------|-------------|-----------------|--------------------|----------|---------|

LIGHTING AND DIRECTION INDICATOR SWITCHES

continued

DETAILED SPARE PARTS

34054 — 768380

LIGHTING AND DIRECTION INDICATOR SWITCHES

| Part No. Model | 34054 PLC6 | 34055 PLC6 | 34056 PLC6 | 34063 PLC6 | 34065 PLC5 | 34074 CRS2 | 34090 PLC6 | 34092 CRS3 | 34103 CRS3 | 34314 37SA | †78225 CHR1 | †78226 CHR1 |
|---|---------------|---------------|---------------|---------------|---------------|---------------|---------------|---------------|---------------|---------------|----------------|----------------|
| Knob or lever | 345065 | — | — | — | — | 347406 | — | 347527 | 54330363 | — | 768378 | 768473 |
| Screw, knob fixing | — | — | — | — | — | — | — | — | — | — | 119347 | 119347 |
| Lock and driving cup | — | 345070 | 345070 | 345070 | — | — | 345070 | — | — | — | — | — |
| Button, horn, or contact, warning light | — | — | — | — | — | 347408 | — | — | — | 54333162 | — | — |
| Bezel, button retaining | — | — | — | — | — | 347410 | — | — | — | — | — | — |
| §Contact, switch | — | — | — | — | — | — | — | — | — | 54332586 | — | — |
| Base, rotor and tube | — | — | — | — | — | 347432 | — | ‡347526 | ‡347526 | — | — | — |
| §Screw, terminal | 120560 | 120560 | 120560 | 120560 | 120560 | — | 120560 | — | — | — | 135481 | 135481 |
| §Washer, shakeproof | — | — | — | — | — | — | — | — | — | — | 188412 | 188412 |
| Spring, fixing, or pawl centering | 344197 | 344197 | 344197 | — | 344197 | — | — | — | — | 348323 | — | — |
| Nut, fixing, front | — | — | — | — | — | — | — | — | — | — | 183796 | 183897 |
| Washer, spray | — | — | — | — | — | — | — | — | — | — | 185106 | 185106 |
| Nut, fixing, rear | — | — | — | — | — | — | — | — | — | — | 175328 | 182660 |
| Sundry parts, set | — | — | — | — | — | 347444 | — | — | — | — | — | — |

| Part No. Model | †78237 CHR1 | 78252 CHR1 | †78253 CHR1 | 78279 CHR1 | †78291 CHR1 | †78294 CHR1 | †78299 CHR1 | 78300 CHR1 | 78301 CHR1 | 78311 CHR1 | 78314 CHR1 | 78331 CHR1 |
|---------------------|----------------|---------------|----------------|---------------|----------------|----------------|----------------|---------------|---------------|---------------|---------------|---------------|
| §Knob | 768378 | — | 768473 | — | 768883 | 768378 | 316478 | — | — | — | — | — |
| Screw, knob fixing | 119347 | — | 119347 | — | — | 119347 | — | — | — | — | — | — |
| §Screw, terminal | 135481 | 135481 | 135481 | 135481 | 135481 | 135481 | 135481 | 135481 | 135481 | 135481 | 135481 | 135481 |
| §Washer, shakeproof | 188412 | 188412 | 188412 | 188412 | 188412 | 188412 | 188412 | 188412 | 188412 | 188412 | 188412 | 188412 |
| Nut, fixing, front | 183897 | 182660 | 183897 | 182660 | 183897 | 183897 | 183897 | 182660 | 182660 | 183897 | 183897 | 183891 |
| Washer, spring | 185106 | 185106 | 185106 | 185106 | 185106 | 185106 | 185106 | 185106 | 185106 | 185106 | 185106 | 185106 |
| Nut, fixing, rear | 182660 | 182660 | 182660 | 182660 | 182660 | 182660 | 182660 | 182660 | 182660 | 182660 | 182660 | 182660 |

| Part No. Model | 78336 CHR1 | 78344 3R | 78346 3R | 78353 3R | 78358 3R | 78359 3R | 78363 3R | 78369 3R | 031046 TS1 | 031218 PS7-1 | 031296 TPS1 | 031445 22B | 768380 CHR1 |
|-------------------------|---------------|-------------|-------------|-------------|-------------|-------------|-------------|-------------|---------------|-----------------|----------------|---------------|----------------|
| Switch only | — | — | — | — | — | — | — | — | — | — | 31250 | — | — |
| Lever or knob | — | — | — | — | — | — | — | — | 310918 | 314026 | 311156 | — | 768378 |
| §Screw, terminal | 135481 | 132464 | 132464 | 132464 | 161136 | 161136 | 132464 | 132464 | — | 120560 | 121610 | ‡110714 | 134581 |
| §Washer, terminal screw | 188412 | 185000 | 185000 | 185000 | 185000 | 185000 | 185000 | 185000 | — | — | — | ‡185040 | 188412 |
| Nut or bracket, fixing | 183891 | 153601 | 153601 | 153601 | 153631 | 54130211 | 183971 | 153636 | — | 314017 | 311145 | ‡317578 | 183897 |
| Washer, spring | 185106 | 185106 | 185106 | 185106 | — | 185106 | 185106 | 185106 | — | 185081 | 185012 | — | 185106 |
| Nut, fixing, rear | 182660 | 153636 | 153636 | 153636 | 153636 | 153636 | 175328 | 153636 | — | 180093 | ‡106734 | ‡166019 | 182660 |
| Spindle | — | — | — | — | — | — | — | — | — | — | 311128 | — | ‡119347 |
| Plunger | — | — | — | — | — | — | — | — | — | — | 311144 | — | — |
| Spring | — | — | — | — | — | — | — | — | — | — | 311102 | — | — |

† Knob supplied separately ‡ Rotor only § Recommended spares for stock || Bracket parts ¶ Screw, lever or knob fixing

LIGHTING AND DIRECTION INDICATOR SWITCHES



Serviceable spare parts for the following switches consist only of the terminal screw or sleeve and/or fixing nut with or without a washer

DETAILED SPARE PARTS

| Part No. | Model | §Screw or sleeve, terminal | §Washer, terminal | Nut, fixing | Washer, fixing nut |
|----------|--------|----------------------------|-------------------|-------------|--------------------|
| 31044 | S37 | 121610 | — | — | — |
| 31056 | S37 | 121610 | — | — | — |
| 31073 | PS9 | 120560 | — | 314540 | — |
| 31082 | HL2 | 120560 | — | — | — |
| 31091 | PPG1 | 120560 | — | 316101 | — |
| 31093 | 39C | 120560 | — | — | — |
| 31113 | PS16 | 120560 | — | — | — |
| 31114 | PPG2 | 120560 | — | — | — |
| 31120 | PS9 | 120560 | — | 315307 | — |
| 31126 | PPG1 | 120560 | — | 316101 | — |
| 31140 | 10 | 120560 | — | — | — |
| 31144 | 39C | 120560 | — | — | — |
| 31154 | PS16 | 120560 | — | — | — |
| 31158 | PPG1 | 120560 | — | 183897 | — |
| 31161 | 10 | 120560 | — | — | — |
| 31173 | PS9 | 120560 | — | 315307 | — |
| 31183 | PPG1 | 120560 | — | 315043 | — |
| 31192 | PS15 | †188818 | — | 315081 | — |
| 31194 | PRS2 | 120560 | — | — | — |
| 31198 | PPG2 | 120560 | — | — | — |
| 31226 | FS22-1 | 132464 | 185000 | — | — |
| 31248 | PS19 | 120560 | — | 315081 | — |
| 31260 | PS9 | 120560 | — | 315307 | — |
| 31277 | FS32 | 132464 | 185000 | — | — |
| 31281 | 54C | 120560 | — | — | — |
| 31284 | FS22-1 | 132464 | 185000 | — | — |
| 31316 | PS19 | 120560 | — | 315081 | — |
| 31379 | TS82 | 120560 | ‡120610 | — | — |
| 31382 | 55C | 120560 | — | — | — |
| 31440 | HL2 | 120560 | — | — | — |
| 31444 | PPG1 | 120560 | — | 316101 | — |
| 31456 | PRS9 | 132464 | 185000 | — | — |
| 31478 | SS10 | 120560 | — | — | — |
| 31486 | 6SA | †188818 | — | — | — |
| 31527 | PS9 | 120560 | — | 314540 | — |
| 31528 | PS9 | 120560 | — | 314540 | — |
| 31542 | SS10 | 120560 | — | — | — |
| 31571 | 18SA | — | — | 315081 | — |
| 31611 | TS82 | 120560 | ‡120610 | — | — |
| 31638 | 6SA | †188818 | — | — | — |
| 31662 | 10SA | — | — | 314017 | — |
| 31692 | 6SA | †188818 | — | — | — |
| 31727 | 52SA | — | — | 153601 | — |
| 31743 | 57SA | — | — | 153631 | 54148517 |
| 31750 | 21SA | 102766 | — | — | — |
| 31780 | 57SA | — | — | 153631 | 54148517 |
| 31788 | 57SA | — | — | 153631 | 54148517 |
| 31793 | 10SA | — | — | 314017 | — |
| 31795 | FS22-1 | 132464 | 185000 | — | — |
| 31828 | 65SA | — | — | 153601 | 54148517 |
| 31830 | PRS9 | 132464 | 185000 | — | — |
| 31837 | 57SA | — | — | 153601 | 54148517 |
| 31838 | 65SA | — | — | 54130081 | — |
| 31839 | 57SA | — | — | 54130081 | — |
| 31840 | 57SA | — | — | 54130081 | — |
| 31841 | 57SA | — | — | 54130081 | — |
| 31850 | 57SA | — | — | 153601 | 54148517 |
| 31865 | 6SA | †188818 | — | — | — |
| 31898 | 23SA | — | — | 153601 | 54148517 |
| 31946 | 57SA | — | — | 54130281 | 54148517 |
| 31947 | 57SA | — | — | 54130281 | 54148517 |
| 31951 | 58SA | — | — | 153601 | 185106 |
| 31952 | PPG1 | 120560 | — | 54130291 | — |
| 31956 | 57SA | — | — | 153601 | 54148517 |
| 31959 | 6SA | †188818 | — | — | — |
| 31963 | 65SA | — | — | 153601 | 54148517 |
| 31969 | 57SA | — | — | 153601 | 54148517 |
| 31970 | 58SA | — | — | 153601 | 185106 |
| 31986 | 57SA | — | — | 153601 | 54148517 |
| 31987 | 57SA | — | — | 153601 | 54148517 |
| 31995 | 58SA | — | — | ‡54130361 | — |
| 78333 | 4R | — | — | 153601 | 185106 |
| 359013 | S37 | 120610 | — | — | — |
| 359357 | 10 | 120610 | — | — | — |
| 359358 | 10 | 120610 | — | — | — |
| 359671 | S37 | 120610 | — | — | — |

† Sleeve

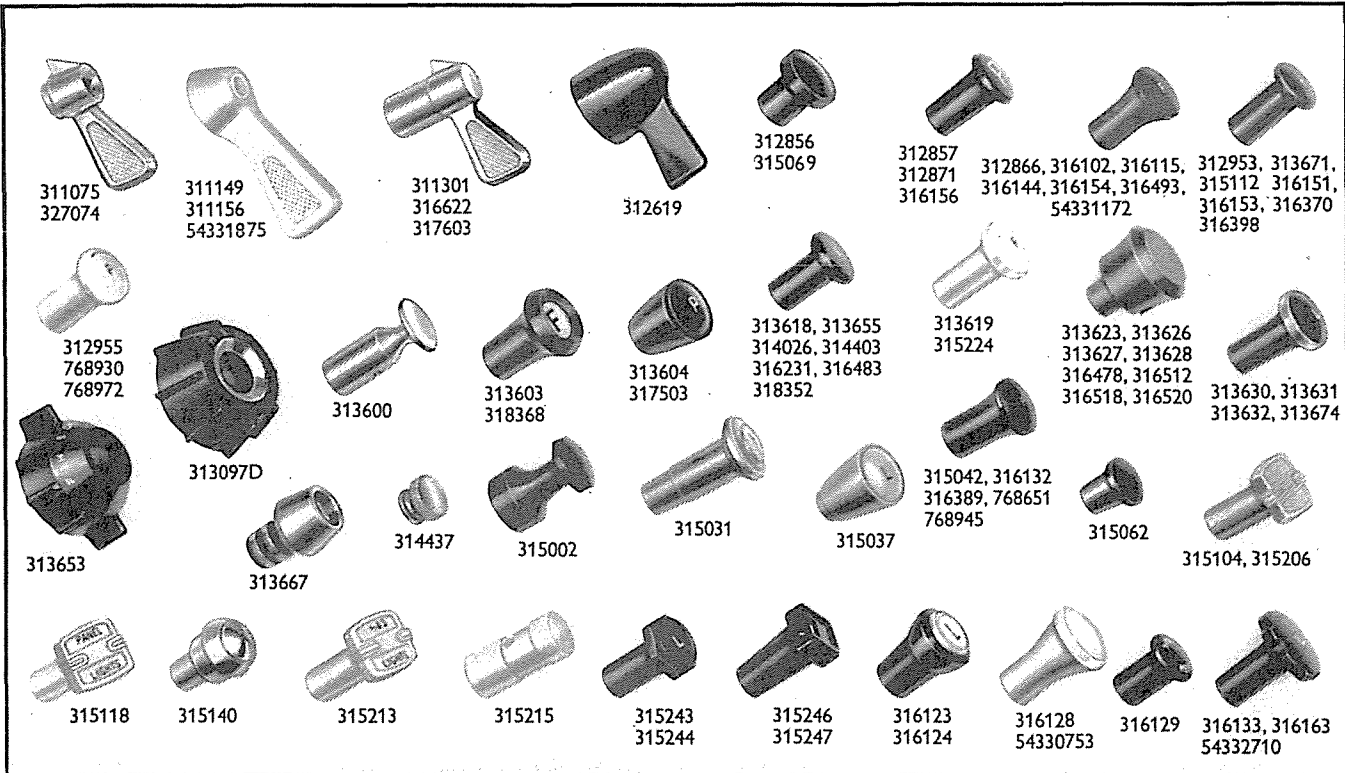
‡ Terminal screw

§ Recommended spares for stock

|| Nut, terminal



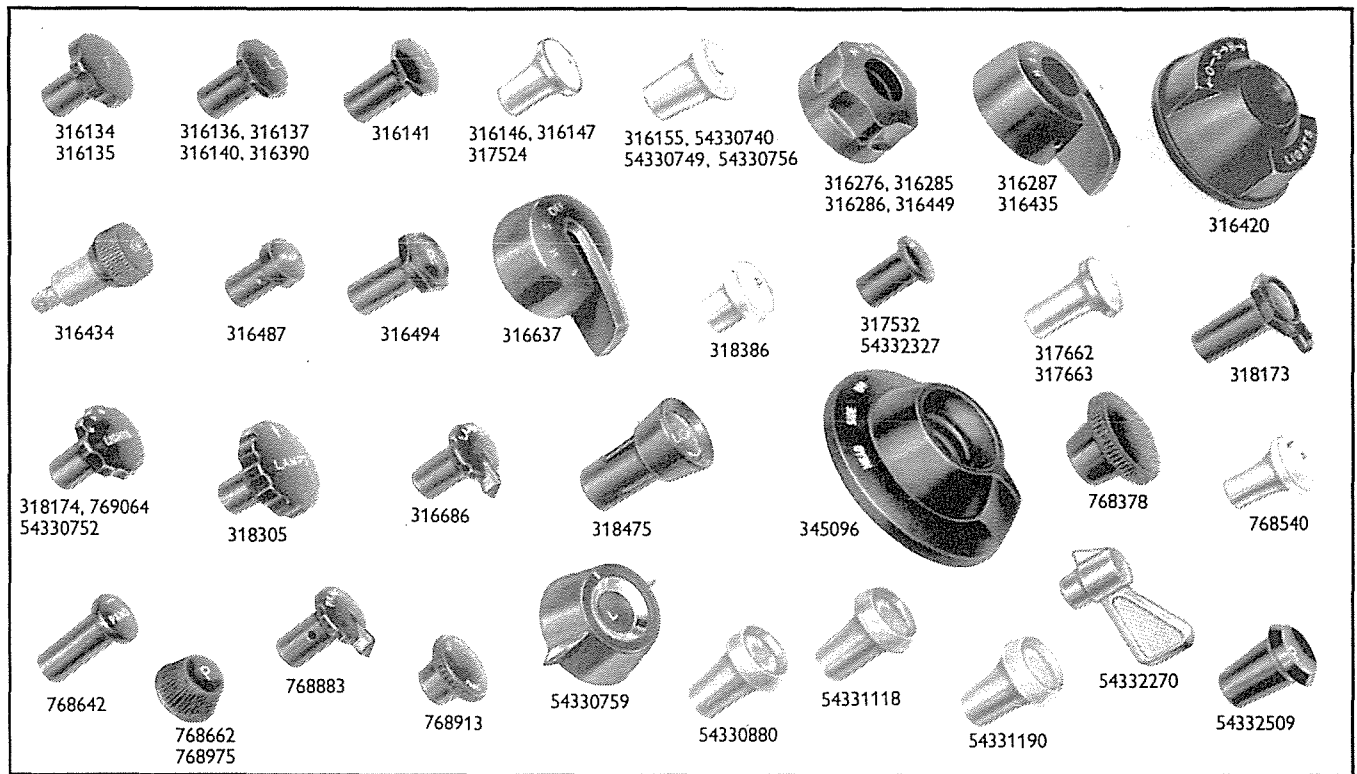
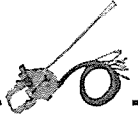
LIGHTING AND DIRECTION INDICATOR SWITCHES



KNOBS, HANDLES AND LEVERS

| Part No. | Model | Finish | Marking | Method of Fitting | Part No. | Model | Finish | Marking | Method of Fitting |
|----------|-------------|---------------------------|---------------------------------------|---------------------|----------|-------|---------------------------|-----------------------------------|------------------------|
| 311075 | TPS1 | C.P. | — | 5 B.A. screw 145600 | 315031 | PPG1 | C.P. | Raised 'L' | Push on |
| 311149 | TPS1 | Brown | — | — | 315037 | PPG1 | Cream | 'L' in maroon | Push on |
| 311156 | TPS1 | Cream | — | 5 B.A. screw 107461 | 315042 | PPG1 | Brown | Plain | Push on |
| 311301 | TPS1 | C.P. | — | 5 B.A. screw 145591 | 315062 | PS15 | Brown | Plain | Screw on 6 B.A. thread |
| 312500 | PRS7 | Black | 'F-H-S-OFF' in white | Push on | 315069 | PS15 | Black | Plain | Screw on 6 B.A. thread |
| 312619 | PRS7 | Black | Plain | Push on | 315104 | PS16 | Golden pearl | Plain | Push on |
| 312622 | PRS7 | Brown | 'F-H-S-OFF' in cream | Push on | 315112 | PS16 | Black | 'P' in white | Push on |
| 312856 | PS7-1 | Black | Plain | Screw on | 315118 | PS16 | Ivory | 'PANEL LIGHT' in black | Push on |
| 312857 | PS7-1 | Brown | 'P' in cream | Push on | 315140 | PS16 | C.P. | Plain | Push on |
| 312866 | PS7 | Black | 'F' in white | Push on | 315206 | PPG2 | Golden pearl | Plain | Push on |
| 312871 | PS7 | Black | 'P' in white | Push on | 315213 | PPG2 | Mottled ivory | 'H' and 'S' lights | Push on |
| 312953 | PS7 | Black | 'R' in white | Push on | 315215 | PPG2 | Mottled cream | Plain | Push on |
| 312955 | PS7 | Cream | 'P' in black | Push on | 315224 | PPG2 | Mottled ivory | 'L' in old gold | Push on |
| 313097 | PRS7 | Black | 'H-S-O' and 'Lights' in white | Push on | 315228 | PPG2 | Brown | 'L' in cream | Push on |
| 313600 | PS7 | Satin chrome | Plain | Push on | 315242 | PPG2 | Black | 'PANEL INT' in white | Push on |
| 313603 | PS7 | Black | Black 'F' on diakon disc | Push on | 315243 | PPG2 | Black | 'L' in white | Push on |
| 313604 | PS7 | Black | 'P' in ivory | Screw on | 315244 | PPG2 | Black | 'F' in white | Push on |
| 313618 | PS7 | Black | 'F' in white | Push on | 315246 | PPG3 | Black | 'P' in ultra violet paint | Push on |
| 313619 | PS7 | Cream | 'F' in black | Push on | 315247 | PPG2 | Black | 'L' in ultra violet paint | Push on |
| 313623 | PPG2 | Black | 'Fog' in white | Push on | 315951 | PS7 | Black | Plain | Screw on |
| 313626 | PS16 | Black | 'Maplight' in white | Push on | 316102 | PPG1 | Black | Plain | Push on |
| 313627 | PS16 | Black | 'Interior Light' in white | Push on | 316115 | PPG1 | Brown | 'L' in white | Push on |
| 313628 | CHR1 and 3R | Black | 'Panel' and an arrow in white | Push on | 316123 | PPG1 | Black | Black 'L' on ivory | Push on |
| 313630 | PPG1 | Black; C.P. bezel | 'L' in white | Push on | 316124 | PPG1 | Brown | Black 'P' on ivory | Push on |
| 313631 | PPG1 | Black; C.P. bezel | 'F' in white | Push on | 316128 | PPG1 | Stone grey | Plain | Push on |
| 313632 | PS7 | Black; C.P. bezel | 'P' in white | Push on | 316129 | PPG1 | Black | 'SIDE-HEAD' in white | Push on |
| 313653 | PRS7 | Black | 'F-H-S-OFF' in white | Push on | 316132 | PPG1 | Brown | 'P' in cream | Push on |
| 313655 | PS19 | Black | 'P' in white | Push on | 316133 | PPG1 | Black | 'L' in white | Push on |
| 313667 | 10SA | C.P. | White 'L' on black cap | Push on | 316134 | PPG1 | Black | 'F' in white | Push on |
| 313671 | PS7 | Black | 'I' in white | Push on | 316135 | PPG1 | Black | 'P' in white | Push on |
| 313674 | PS7 | Black; C.P. bezel | 'LR' in white | Push on | 316136 | PPG1 | Black | 'L' in white | Push on |
| 314026 | PS7-1 | Black | Plain | Screw on | 316137 | PPG1 | Black | 'P' in white | Push on |
| 314403 | PS7-1 | Black | 'Fog' in white | Screw on | 316140 | PPG1 | Black | 'F' in white | Push on |
| 314427 | PS7 | Brown | Sunken 'P' | Screw on | 316141 | PPG1 | Black | 'L' in white | Push on |
| 314437 | PS7-1 | C.P. | Plain | Screw on | 316144 | PPG1 | Cream | 'L' in black | Push on |
| 315002 | PPG1 | Black | Plain | Grub screw | 316146 | PPG1 | Cream; C.P. bezel | 'L' in red | Push on |
| | | | | | 316147 | PPG1 | Cream; C.P. bezel | 'F' in red | Push on |
| | | | | | 316151 | PPG1 | Black | 'L' in white | Push on |
| | | | | | 316153 | PPG1 | Cream | 'F' in brown | Push on |

LIGHTING AND DIRECTION INDICATOR SWITCHES



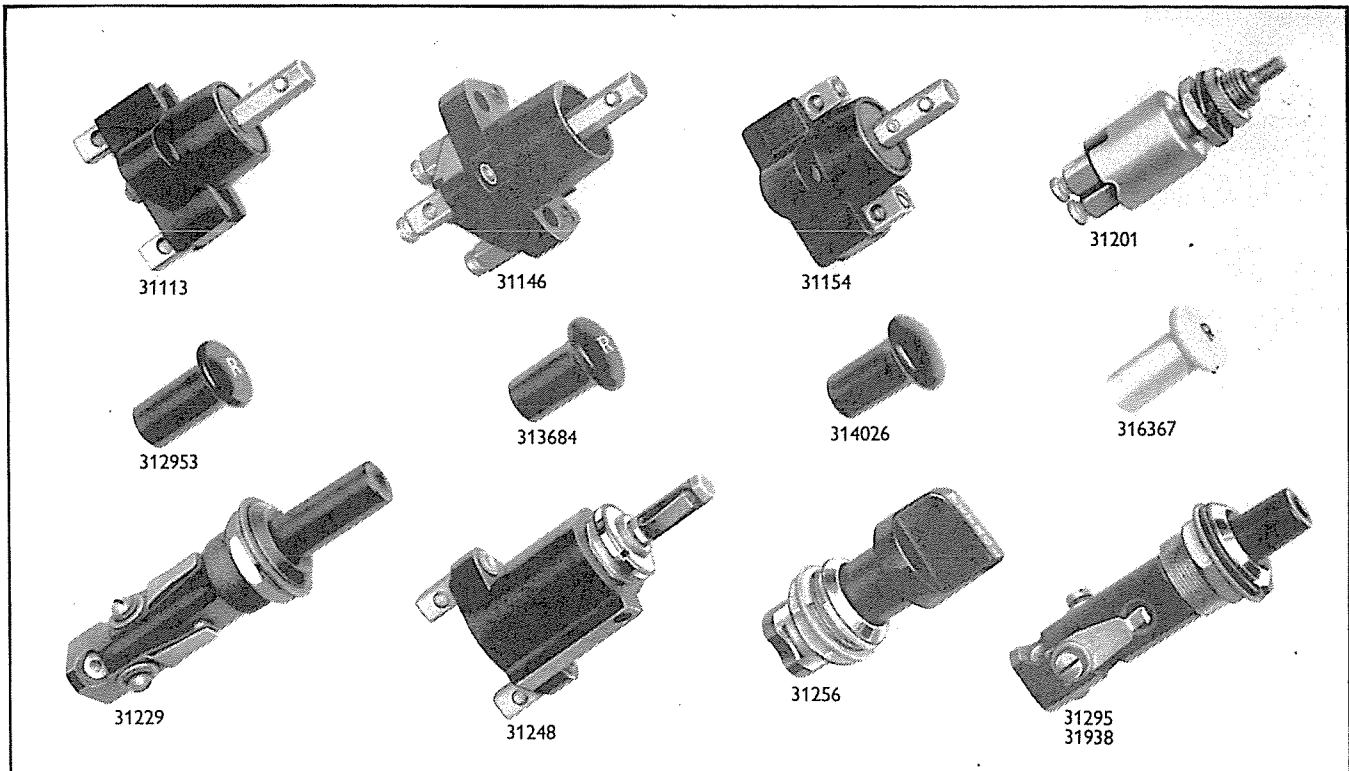
KNOBS, HANDLES AND LEVERS—continued

| Part No. | Model | Finish | Marking | Method of Fitting | Part No. | Model | Finish | Marking | Method of Fitting |
|----------|---------|-----------------------------|-------------------------------|-------------------|----------|-------|----------------|---|-------------------------|
| 316154 | PPG1 | Black | 'L' in white .. | Push on | 318386 | PS7-1 | Ivory | 'P' in black .. | Screw on |
| 316155 | PPG1 | Ivory | 'L' in black .. | Push on | 318475 | PRS7 | Black | 'LIGHTS' in white | Push on |
| 316156 | PPG1 | Black | 'L' in white .. | Push on | 327074 | S37 | Chrome | | |
| 316163 | PPG1 | Black | Plain | Push on | 345096 | PLC6 | Black | 'HEAD-SIDE-OFF' in white | Secured by switch bezel |
| 316231 | PS7-1 | Ivory | Plain | Screw on | 768378 | CHR1 | Brown | An arrow in white.. | Grub screw |
| 316276 | PRS2 | Mottled cream | 'H-S-OFF' in black | Push on | 768526 | CHR1 | White | Arrow in black .. | Push on |
| 316285 | PRS2 | Black | 'H-S-OFF' in white | Push on | 768540 | CHR1 | Mottled ivory | 'P' and an arrow in old gold .. | Push on |
| 316286 | PRS2 | Grey | 'H-S-OFF' in white | Push on | 768642 | CHR1 | Black | 'PANEL' and an arrow in white .. | Push on |
| 316287 | PRS2 | Brown | 'H-S-OFF' in cream | Push on | 768651 | CHR1 | Brown | 'P' and arrow in white .. | Grub screw |
| 316370 | — | Black | 'Fog' in white .. | Push on | 768662 | CHR1 | Brown | 'P' in white .. | Grub screw |
| 316389 | PS19 | Brown | 'F' in cream .. | Push on | 768883 | CHR1 | Black | 'PANEL' in white.. | Push on |
| 316390 | — | Black | 'A' in white .. | Push on | 768913 | CHR1 | Black | 'OFF-DIM-PANEL' in white .. | Grub screw |
| 316398 | PPG1 | Cream | 'L' in brown .. | Push on | 768930 | CHR1 | Cream | 'P' and an arrow in black .. | Push on |
| 316420 | PRS3 | Black | 'O-S-H-LIGHTS' in white .. | Push on | 768945 | CHR1 | Black | 'P' and an arrow in white .. | Push on |
| 316434 | PRS3 | Black | 'ON' in white .. | Spring loaded | 768972 | CHR1 | Cream | 'P' in black .. | Push on |
| 316435 | PRS3 | Black | 'H-S-OFF' in white | Push on | 768975 | CHR1 | Black | 'P' in white .. | Push on |
| 316449 | PRS3 | Black | 'H-S-OFF' in white | Push on | 769064 | CHR1 | Black | 'OFF-DIM-PANEL' in white .. | Push on |
| 316478 | PS16 | Grey | Plain | Push on | 54330740 | PPG1 | Black | 'L' in white .. | Push on |
| 316483 | PS16 | Cream | 'P' in brown .. | Push on | 54330749 | PPG1 | Pebble grey .. | 'L' in black .. | Push on |
| 316487 | PS16 | Black | 'MAP' in white .. | Push on | 54330752 | CHR1 | Black | 'PANEL-ON-OFF-DIM' in white .. | Push on |
| 316493 | PS16 | Black | 'P' in white .. | Push on | 54330753 | PPG1 | Stone grey .. | Plain | Push on |
| 316494 | PS16 | Black | 'P' in white .. | Push on | 54330756 | PPG1 | Clay pipe grey | 'L' in black .. | Push on |
| 316512 | PS16 | Golden pearl | Plain | Push on | 54330759 | PRS7 | Black | 'L' in white .. | Push on |
| 316518 | CHR1 | Black | An arrow in white.. | Push on | 54330880 | PPG1 | Grey | 'LIGHTS' and 'PANEL' in white | Push on |
| 316520 | Various | Black | Plain | Push on | 54331118 | PS7 | Grey | 'PANEL' in white.. | Push on |
| 316622 | PRS5 | C.P. | Plain | Push on | 54331172 | PS7 | Black | 'P' in white .. | Push on |
| 316637 | PRS5 | Brown | 'F-H-S-OFF' in cream | Push on | 54331190 | PPG1 | Coffee | 'LIGHTS' in white | Push on |
| 316686 | PS20 | Black | 'LAMPS' in white.. | Push on | 54331875 | TPS1 | Black | — | 5 B.A. screw 107461 |
| 317508 | PS7-1 | Ivory | 'P' in black .. | Screw on | 54332270 | PRS7 | C.P. | Plain | Push on |
| 317524 | PS16 | Mottled cream | 'P' in red | Push on | 54332327 | 3R | Black | 'PANEL' and a double-headed arrow in white .. | Push on |
| 317532 | PS7-1 | Black | 'PANEL' in white.. | Push on | 54332509 | PS7 | Black | 'P' in white .. | Push on |
| 317603 | PRS5 | C.P. | Plain | Push on | 54332710 | 10SA | Black | 'L' in white .. | Push on |
| 317662 | PPG2 | Cream; C.P. bezel.. | 'L' in red | Push on | | | | | |
| 317663 | PPG2 | Mottled cream; C.P. bezel.. | 'F' in red | Push on | | | | | |
| 318173 | PPG2 | Black | 'L' in white .. | Push on | | | | | |
| 318174 | PRS7 | Black | 'H-S-O' and 'LIGHTS' in white | Push on | | | | | |
| 318305 | PRS7 | Black | 'LAMPS' and arrow in white .. | Push on | | | | | |
| 318352 | PS7 | Black | 'LR' in white .. | Screw on | | | | | |
| 318368 | PS7-1 | Black | Black 'P' on diakon disc .. | Push on | | | | | |

C.P. .. Chromium plated



FUEL AND OIL SWITCHES



Descriptive Reference

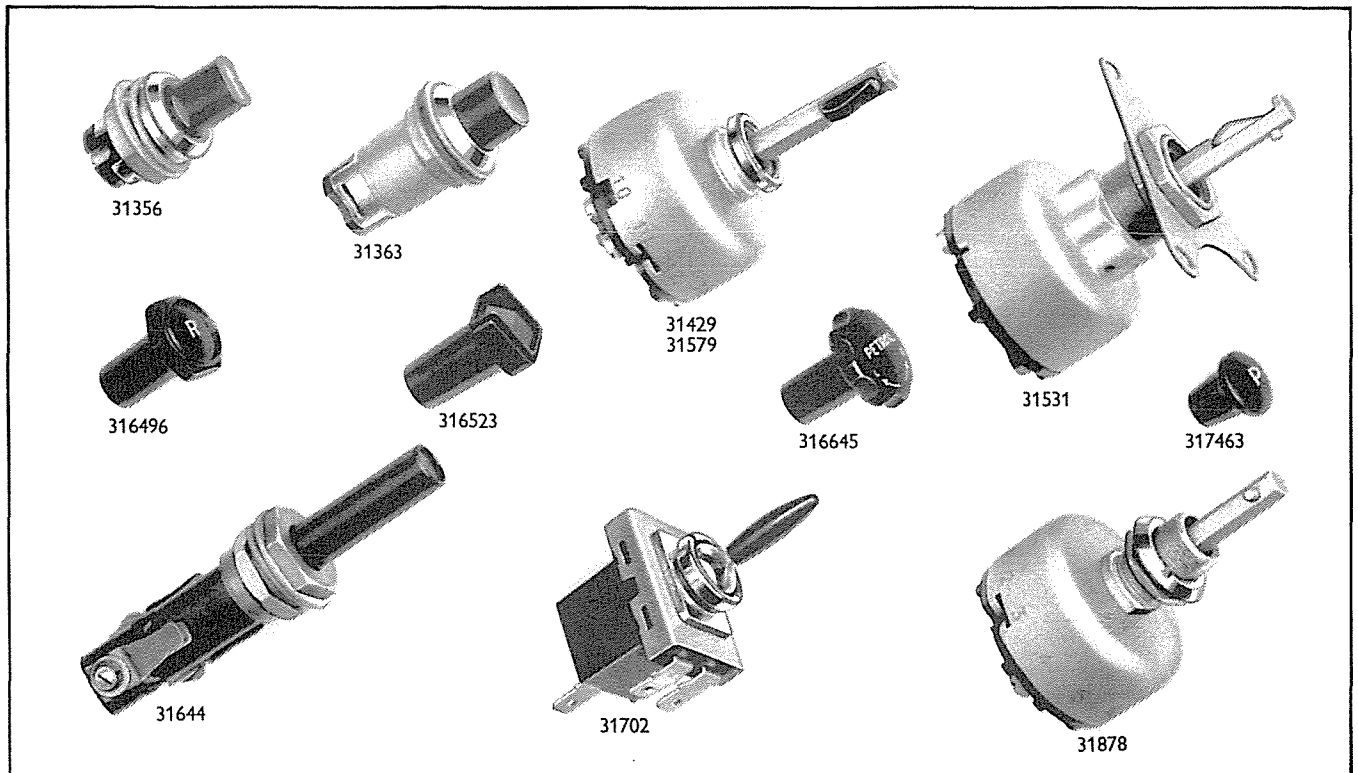
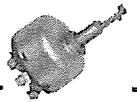
| Part No. | Model | Action | Finish | Fixing | Special Features |
|----------|-------|------------------|------------------|-------------------|--|
| 31113 | PS16 | Pull on-push off | — | Single hole | Less knob; moulded body. |
| 31146 | PS17 | Pull on-push off | — | Two hole | Less knob; moulded body. |
| 31154 | PS16 | Pull on-push off | — | Single hole | As 31113, but terminals reversed. |
| 31201 | PS7-1 | Pull on-push off | C.P. fixing nut | Single hole | Short thread for metal panel. |
| 31229 | PS5 | Push | Black fixing nut | Single hole | Black knob. |
| 31248 | PS19 | Pull on-push off | C.P. fixing nut | Single hole | Less knob; moulded body. |
| 31256 | PS6 | Rotary on-off | C.P. fixing nut | Single hole | Black knob. |
| 31295 | PS5 | Push | C.P. fixing nut | Single hole | Black knob. |
| 31356 | PS6 | Rotary on-off | C.P. fixing nut | Single hole | Black knob with white arrow. |
| 31363 | SS5 | Push | C.P. fixing nut | Single hole | Plain black knob; for wooden panel fitting. |
| 31429 | PRS7 | Rotary on-off | C.P. fixing nut | Single hole | Less knob. |
| 31531 | S60 | Rotary on-off | Special | Three hole flange | For Rolls-Royce. |
| 31579 | PRS7 | Rotary three way | Special | Single hole | Less knob; for Rolls-Royce. |
| 31644 | PS5 | Push | Special | Single hole | For Rolls-Royce. |
| 31702 | 57SA | Toggle | C.P. fixing nut | Single hole | 1" long black knob. |
| 31878 | PRS7 | Rotary on-off | C.P. fixing nut | Single hole | Less knob; as 31429, but longer fixing bush. |
| 31938 | PS5 | Push | Special | Single hole | For Rolls-Royce. |

KNOBS

| Part No. | Model | Finish | Marking | Method of Fixing | Part No. | Model | Finish | Marking | Method of Fixing |
|----------|-------|--------|----------------------|------------------|----------|-------|--------|------------------------------|------------------------|
| 312953 | PS7 | Black | 'R' in white | Fixing screw | 316496 | PS16 | Black | 'R' in white | Push on |
| 313684 | PS7 | Black | 'R' in white | Push on | 316523 | PS16 | Black | 'R' in ultra violet paint .. | Push on |
| 314026 | PS7-1 | Black | Plain | Screw on | 316645 | PRS5 | Black | 'PETROL-L-R' in white .. | Push on |
| 316215 | PS7-1 | Cream | 'R' in brown | Screw on | 317463 | PS5 | Brown | 'P' in cream | Screw on 6 B.A. thread |
| 316367 | PS19 | Cream | 'R' in black | Push on | | | | | |

C.P. .. Chromium plated

FUEL AND OIL SWITCHES



DETAILED SPARE PARTS

| Part No. | Model | Nut, fixing | Nut, fixing, rear | Washer, flat | Washer, spring | §Screw, terminal | §Washer, terminal screw |
|----------|-------|-------------|-------------------|--------------|----------------|------------------|-------------------------|
| 31113 | PS16 | — | — | — | — | 120560 | — |
| 31146 | PS17 | — | — | — | — | 120560 | — |
| 31154 | PS16 | — | — | — | — | 120560 | — |
| 31201 | PS7-1 | 314017 | 180093 | — | 185081 | 120560 | — |
| 31229 | PS5 | 180670 | — | 158350 | 185188 | 117980 | 185000 |
| 31248 | PS19 | 315081 | — | — | — | 120560 | — |
| 31256 | PS6 | 180670 | — | 158350 | 185188 | 121610 | — |
| 31295 | PS5 | 180670 | — | 158350 | 185188 | 117980 | 185000 |
| 31356 | PS6 | 180670 | — | 158350 | 185188 | 121610 | — |
| 31363 | SS5 | 180670 | — | 158350 | 185188 | 120584 | — |
| 31429 | PRS7 | 182668 | — | — | — | 132464 | 185000 |
| 31531 | S60 | 156570 | — | — | — | 132464 | 188412 |
| 31579 | PRS7 | 182660 | — | — | — | 132464 | 185000 |
| 31644 | PS5 | 180670 | — | 158350 | 185188 | 117980 | 185000 |
| 31702 | 57SA | 153601 | — | — | 185106 | — | — |
| 31878 | PRS7 | 318192 | 182998 | — | 185106 | 135464 | 185000 |
| 31938 | PS5 | 180670 | — | 158350 | 185188 | 117980 | 185000 |



STANDARDISATION OF PLC SWITCHES

The Lucas PLC Switchbox has been supplied as initial equipment for a number of years, and during that time its design has remained basically the same. In view of this, and to prevent carrying unnecessary stocks of individual switches, we have been continually working towards a standard switch for service replacements. We realise that the customer expects a switch which is similar in appearance to the original unit, and this point has been carefully borne in mind whilst standardising. Two types of switch are involved; they are:

1. Switches with non-detachable knob and dial

Standard switches of this type are listed below, together with the initial equipment they replace. Descriptions and photographs have been added (in Part I) to aid in identification.

2. Switches with detachable knob and dial

In this case, one standard switch unit will replace the complete range and, if the customer requires a new knob or dial, suitable replacements are available.

This standard switch is described and illustrated (in Part II) and a list of replacement knobs has been included.

PART I

List of standard switches for replacement

These switches cannot be stripped down for service purposes and replacement switches are supplied complete with dial, knob and keys where applicable.

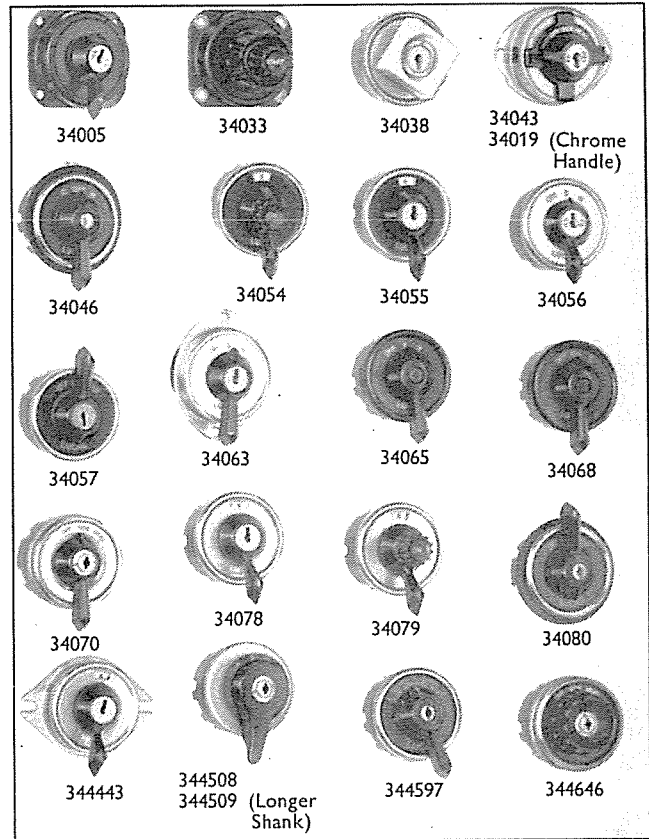
| Part No. of Original Fitting | Replaced by Part No. | Part No. of Original Fitting | Replaced by Part No. |
|------------------------------|----------------------|------------------------------|----------------------|
| 34002 | 34055 | 34056 | — |
| 34004 | 34056 | 34057 | — |
| 34005 | — | 34058 | 34065 |
| 34006 | 34056 | 34059 | 34056 |
| 34009 | 34056 | 34062 | 34056 |
| 34010 | 34043 | 34063 | — |
| 34011 | 34043 | 34065 | — |
| 34014 | 34055 | 34068 | — |
| 34015 | 031366 | 34070 | 34056 |
| 34016 | 34056 | 34072 | — |
| 34017 | 34057 | 34075 | 34055 |
| 34018 | 34055 | 34078 | — |
| 34019 | — | 34079 | — |
| 34020 | 34054 | 34080 | — |
| 34021 | 34055 | 031366 | — |
| 34022 | 34054 | 344443 | — |
| 34024 | 34055 | 344472 | 34055 |
| 34026 | 34055 | 344484 | 34055 |
| 34027 | 34078 | 344508 | — |
| 34028 | 34056 | 344509 | — |
| 34031 | 34065 | 344528 | 34055 |
| 34032 | 34056 | 344540 | 34055 |
| 34033 | — | 344544 | 34065 |
| 34035 | 34055 | 344597 | — |
| 34036 | 031366 | 344646 | — |
| 34037 | 031366 | 344669 | 34080 |
| 34038 | — | 344694 | 34078 |
| 34041 | 34055 | 344887 | 34055 |
| 34042 | 34055 | 344889 | 34055 |
| 34043 | — | 344890 | 031366 |
| 34046 | — | 344910 | 34054 |
| 34049 | 34054 | 344920 | 34054 |
| 34054 | — | 344927 | 34078 |
| 34055 | — | 344928 | 34079 |

Note—Where no replacement is shown, stocks are carried of the original fitting.

The following is a general description of these standard switches:

Model PLC6 Part No. 34005. 3-position switch (OFF, SIDE, HEAD) with brown dial and upswept knob; no lettering on dial (switch positions marked on panel); four hole flange fitting; complete with lock and keys.

Model PLC2 Part No. 34019. 4-position switch (LOW, HIGH, SIDE, HEAD) with special C.P. dial and handle; two hole flange fitting; complete with lock and keys (similar in appearance to 34043).



Model PLC6 Part No. 34033. 3-position switch (OFF, SIDE, HEAD) with large black knob, inset with ignition knob marked with white lettering 'START'; no lettering on dial (switch positions marked on panel); four hole flange fixing.

Model PLC6 Part No. 34038. 3-position switch (OFF, SIDE, HEAD) with large square knob; no lettering on dial (switch positions marked on panel); complete with lock and keys.

Model PLC6 Part No. 34043. 3-position switch (OFF, SIDE, HEAD) with special black dial and handle marked with white lettering; two hole flange fixing; complete with lock and keys.

Model PLC5 Part No. 34046. 3-position switch (COIL, OFF, MAGNETO) with black dial and handle and C.P. bezel; white lettering on dial; no lock or keys (similar in appearance to 34065).

Model PLC6 Part No. 34054. 3-position switch (OFF, SIDE, HEAD) with black dial and upswept handle and C.P. bezel; black lettering on white slide and ignition knob marked 'ON'.
Replaces: 34020, 34022, 34049.

Model PLC6 Part No. 34055. 3-position switch (OFF, SIDE, HEAD) with black dial and upswept handle and C.P. bezel; black lettering on white slide; complete with lock and keys.
Replaces: 34002, 34014, 34018, 34026, 34035, 34075.

Model PLC6 Part No. 34056. 3-position switch (OFF, SIDE, HEAD) with cream dial and upswept handle and C.P. bezel; brown lettering; complete with lock and keys.
Replaces: 34006, 34009, 34059, 34062.

continued

STANDARDISATION OF PLC SWITCHES



Model PLC6 Part No. 34057. 3-position switch (OFF, LOW, HIGH) with black dial and handle and C.P. bezel; white lettering; complete with lock and keys (similar in appearance to 34080).
Replaces: 34017.

Model PLC6 Part No. 34063. 3-position switch (OFF, SIDE, HEAD) with cream dial and C.P. bezel; brown lettering and handle; two hole flange fixing; complete with lock and keys.

Model PLC5 Part No. 34065. 3-position switch (OFF, SIDE, HEAD) with black dial and handle; white lettering on dial; no lock or keys.
Replaces: 34031, 34058.

Model PLC5 Part No. 34068. 3-position switch (OFF, CHARGE, LIGHTS) with black dial and handle; white lettering on dial; no lock or keys (similar in appearance to 34065).

Model PLC5 Part No. 34070. 4-position switch (LOW, HIGH, SIDE, HEAD) with black handle, cream dial and C.P. bezel; complete with lock and keys (similar in appearance to 34080).

Model PLC2 Part No. 34078. 4-position switch (1, 2, SIDE, HEAD) with C.P. dial and bezel; black upswept handle; black lettering on white slide; complete with lock and keys (similar in appearance to 34055).
Replaces 344694, 344927.

Model PLC2 Part No. 34079. 4-position switch (1, 2, SIDE, HEAD) with C.P. dial and bezel; black upswept handle and ignition knob; black lettering on white slide (similar in appearance to 34054).
Replaces 344928.

Model PLC5 Part No. 34080. 3-position switch (OFF, LOW, HIGH) with black dial and handle; white lettering on the dial; spade type lock; supplied complete with keys.

Model PLC6 Part No. 031366. Comprises 3-position switch 34055 and flanged fixing plate 344931.

Model PLC2 Part No. 344443. 4-position switch (1, 2, SIDE, HEAD) with C.P. dial and bezel; black upswept handle; black lettering on white slide; complete with lock and keys.

Model PLC5 Part No. 344508. 4-position switch (HEAD, SIDE, FULL CHARGE, HALF CHARGE); special black handle with white lettering; complete with lock and keys.

Model PLC5 Part No. 344509. 3-position switch (HEAD, SIDE, OFF); special black handle with white lettering; complete with lock and keys.

Model PLC5 Part No. 344597. 4-position switch (LOW, HIGH, SIDE, HEAD) with black dial, handle and C.P. bezel; white lettering on dial; complete with lock and keys (similar in appearance to 34080). *Special for Magneto.*

Model PLC5 Part No. 344646. 3-position switch (OFF, SIDE, HEAD) with black dial, large knob and C.P. bezel; white lettering on dial; complete with lock and keys.

PART II

The **Standard Switch** for replacing those with detachable knob and dial is **Model PLC6 Part No. 34090.**

It is a 3-position switch (OFF, SIDE, HEAD) supplied complete with lock and keys, and will replace the following:

| | | | |
|-------|-------|-------|--------|
| 34023 | 34050 | 34066 | 34081 |
| 34025 | 34051 | 34067 | 34084 |
| 34034 | 34052 | 34071 | 344874 |
| 34047 | 34061 | 34073 | 344924 |

The switch is more likely to require replacement than the knob or dial, and is supplied separately. But if the customer requires a new knob or dial, those available for use with the standard switch are listed below:

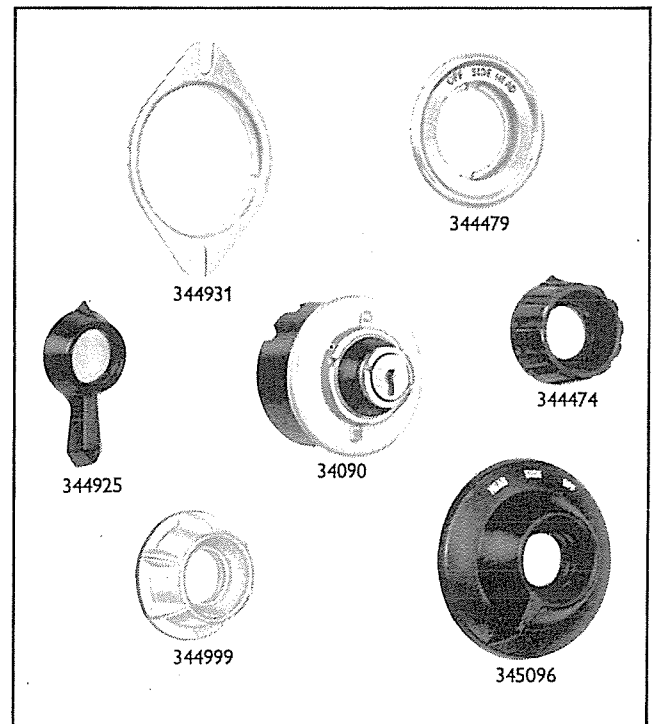
Knobs

- 344474—Black bakelite, with pointer.
(replaces knob fitted to switches 34025, 34071, 34084).
- 344925—Black bakelite, with handle and pointer.
(replaces knob fitted to switch 34081).
- 344999—Cream finished diecasting, with cut-away.
(replaces knob fitted to switches 34023, 34034, 34050).
- 345096—Black bakelite (with 'HEAD', 'SIDE', 'OFF' marked in white).
(replaces knob fitted to switches 34052, 34061, 34067, 34073).

Dial

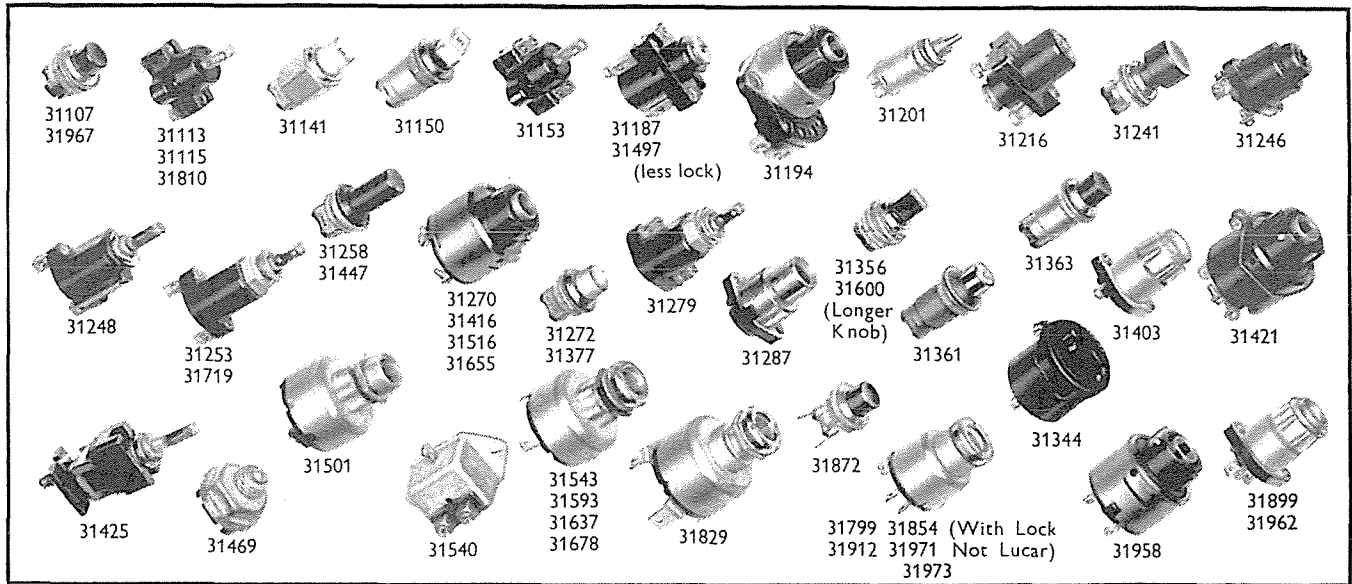
- 344479—C.P., with 'OFF', 'SIDE', 'HEAD' marked in black.

Note.—Flange No. 344931 can be used to fit all flange fixing type switches in this range.





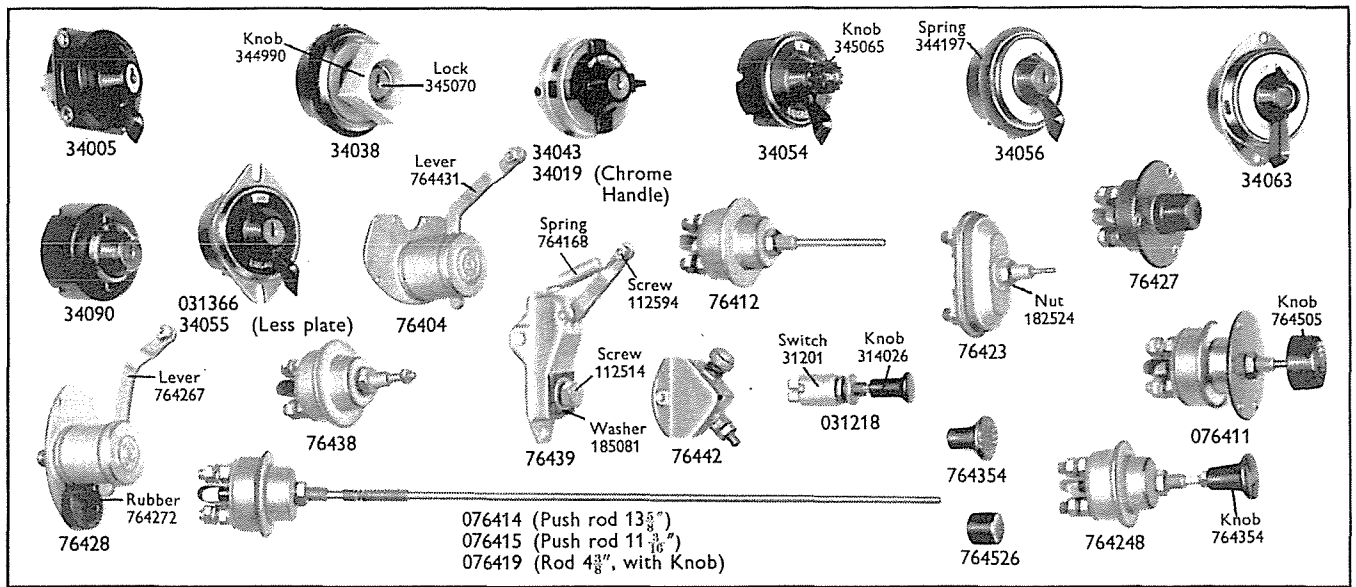
IGNITION AND STARTING SWITCHES



Descriptive Reference

| Part No. | Model | Usage | Action | Fixing | Special Features |
|----------|-------|---------------------------------|---------------------|-----------------|--|
| 31107 | SS5 | Solenoid operating | Push | Single hole .. | Plain walnut knob; short thread. |
| 31113 | PS16 | Solenoid operating | Pull on-push off .. | Single hole .. | Less knob; moulded body. |
| 31115 | SS8 | Solenoid operating | Push | Single hole .. | Less knob; moulded body. |
| 31141 | SS5 | Solenoid operating | Push | Single hole .. | Ivory knob, marked 'S' in black; hexagonal metal body. |
| 31150 | SS5 | Solenoid operating | Push | Single hole .. | Rectangular cream knob, marked 'S' in maroon; long thread. |
| 31153 | SS8 | Solenoid operating | Push | Single hole .. | As 31115, but terminals reversed. |
| 31187 | S55 | Ignition | Rotary on-off .. | Two hole .. | Moulded body; lock and keys. |
| 31194 | PRS2 | Ignition and lighting .. | Rotary three way .. | Two hole .. | Less lock; metal clad; brown bakelite. |
| 31201 | PS7-1 | Ignition or choke warning light | Pull on-push off .. | Single hole .. | Less knob. |
| 31216 | S55 | Ignition | Rotary on-off .. | Two hole .. | As 31187, but terminals reversed. |
| 31241 | SS5 | Solenoid operating | Push | Single hole .. | Black cheeshead knob, marked 'START' in white. |
| 31246 | S56 | Ignition | Rotary on-off .. | Two hole flange | For double panel plate fixing; black. |
| 31248 | PS19 | Choke warning light | Pull on-push off .. | Single hole .. | Less knob; moulded body. |
| 31253 | SS9 | Solenoid operating | Push | Single hole .. | Moulded body. |
| 31258 | SS5 | Solenoid operating | Push | Single hole .. | Plain black knob; short thread. |
| 31270 | PRS3 | Ignition and lighting .. | Rotary three way .. | Circlip .. | Less lock and keys; black dial. |
| 31272 | SS5 | Solenoid operating | Push | Single hole .. | Ivory knob. |
| 31279 | SS9 | Solenoid operating | Push | Single hole .. | Moulded body; as 31253, but terminals reversed. |
| 31287 | S45 | Ignition | Rotary on-off .. | Two hole flange | Less lock and keys. |
| 31344 | S50 | Ignition | Rotary on-off .. | Spring circlip | — |
| 31356 | PS6 | Ignition | Rotary on-off .. | Single hole .. | Black knob, with white arrow. |
| 31361 | SS5 | Solenoid operating | Push | Single hole .. | C.P. knob; long thread. |
| 31363 | SS5 | Solenoid operating | Push | Single hole .. | Plain black knob; long thread. |
| 31377 | SS5 | Solenoid operating | Push | Single hole .. | Ivory knob, marked 'S' in black. |
| 31403 | S45 | Ignition | Rotary on-off .. | Single hole .. | As 31287 except for fixing method. |
| 31416 | PRS3 | Ignition and lighting .. | Rotary three way .. | Circlip .. | No lock; C.P. cover. |
| 31421 | PRS3 | Ignition and lighting .. | Rotary three way .. | Circlip .. | Less lock; black bezel. |
| 31425 | PHS1 | Heater plug | Push | Single hole .. | Less knob. |
| 31447 | SS5 | Solenoid operating | Push | Single hole .. | As 31258, but grey knob. |
| 31469 | SS10 | Choke | Push | Screw in .. | — |
| 31497 | S55 | Ignition | Rotary on-off .. | Two hole .. | Less lock. |
| 31501 | S60 | Ignition and starting .. | Rotary four way .. | Single hole .. | Less lock. |
| 31516 | PRS3 | Ignition and lighting .. | Rotary three way .. | Circlip .. | Less lock; three positions, 'OFF-SIDE-HEAD'. |
| 31540 | S4C | Choke | Pull | Two hole .. | — |
| 31543 | S60 | Ignition and starting .. | Rotary three way .. | Single hole .. | Less lock. |
| 31593 | S60 | Ignition and starting .. | Rotary three way .. | Single hole .. | Less lock. |
| 31600 | PS6 | Ignition | Rotary on-off .. | Single hole .. | Short body; plain black knob. |
| 31637 | S60 | Ignition and starting .. | Rotary four way .. | Single hole .. | Less lock. |
| 31655 | PRS3 | Ignition and lighting .. | Rotary three way .. | Circlip .. | Three positions, 'OFF-SIDE-HEAD'. |
| 31678 | S60 | Ignition and starting .. | Rotary four way .. | Single hole .. | Less lock. |
| 31719 | SS9 | Solenoid operating | Push | Single hole .. | As 31523, but with silver contacts. |
| 31781 | S60 | Ignition and starting .. | Rotary three way .. | Single hole .. | Less lock; Lucar connectors; similar to 31543. |
| 31799 | 47SA | Ignition and starting .. | Rotary three way .. | Single hole .. | Lucar connectors. |
| 31810 | SS8 | Solenoid operating | Push | Single hole .. | As 31115, but 24 volt. |
| 31829 | 70SA | Diesel heater | Rotary five way .. | Single hole .. | Less lock; Lucar connectors. |
| 31854 | 70SA | Starter and heater | Rotary four way .. | Single hole .. | With lock. |

IGNITION AND STARTING SWITCHES

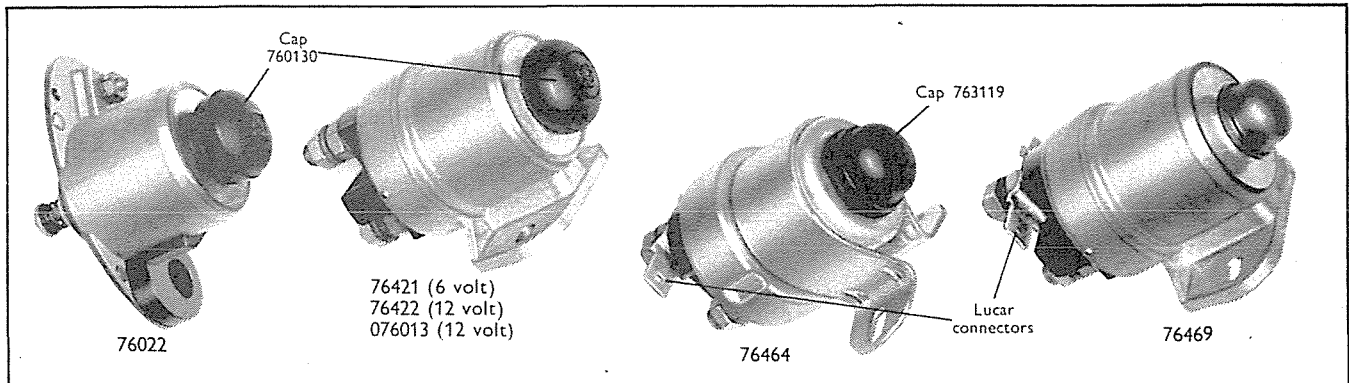


Descriptive Reference—continued

| Part No. | Model | Usage | Action | Fixing | Special Features |
|----------|--------|---------------------------------------|------------------|----------------|--|
| 31872 | SS5 | Solenoid operating | Push | Single hole .. | Lucar connectors. |
| 31899 | S45 | Ignition | Rotary on-off .. | Single hole .. | As 31403, but with Lucar terminals. |
| 31912 | 47SA | Ignition and starting | Rotary four way | Single hole .. | Lucar connectors. |
| 31931 | TOS1 | Choke warning light | Push | Single hole .. | Hexagonal body. |
| 31958 | PRS3 | Ignition and lighting | Rotary three way | Circlip .. | Less lock; Lucar connectors. |
| 31962 | S45 | Ignition | Rotary on-off .. | Two hole .. | Less lock; C.P. bezel; Lucar connectors. |
| 31967 | SS5 | Solenoid operating | Push | Single hole .. | Black knob. |
| 31971 | 47SA | Ignition and starting | Rotary four way | Single hole .. | Lucar connectors. |
| 31973 | 47SA | Ignition and starting | Rotary three way | Single hole .. | Lucar connectors. |
| 34005 | PLC6 | Ignition and lighting | Rotary three way | Four hole .. | No lettering; brown dial. |
| 34019 | PLC2 | Ignition and lighting | Rotary three way | Two hole .. | Marked 'OFF-SIDE-HEAD'; C.P. dial and handle. |
| 34038 | PLC6 | Ignition and lighting | Rotary three way | Single hole .. | No marking; square, ivory knob. |
| 34043 | PLC6 | Ignition and lighting | Rotary three way | Two hole .. | Marked 'OFF-SIDE-HEAD'; black finish. |
| 34054 | PLC6 | Ignition and lighting | Rotary three way | Circlip .. | Marked 'OFF-SIDE-HEAD'; black knob, marked 'ON'. |
| 34055 | PLC6 | Ignition and lighting | Rotary three way | Circlip .. | Marked 'OFF-SIDE-HEAD'; black handle. |
| 34056 | PLC6 | Ignition and lighting | Rotary three way | Circlip .. | Marked 'OFF-SIDE-HEAD' in brown; cream dial; brown handle. |
| 34063 | PLC6 | Ignition and lighting | Rotary three way | Two hole .. | Marked 'OFF-SIDE-HEAD' in brown; cream dial; brown handle. |
| 34090 | PLC6 | Ignition and lighting | Rotary three way | Circlip .. | Less handle; complete with lock. |
| 34258 | 47SA | Ignition and starting | Rotary four way | Single hole .. | Lucar connectors; similar to 31912 but spring collar. |
| 34264 | 47SA | Ignition and starting | Rotary three way | Single hole .. | Lucar connectors; similar to 31973 but for marking on base spacer. |
| 34299 | 70SA | Diesel heater | Rotary five way | Single hole .. | Lucar connectors; similar to 31829 but with separate feed for auxiliaries. |
| 76404 | ST10 | Starting motor | Pull | Four hole .. | Wire control operated. |
| 76412 | ST18 | Starting motor | Push | Single hole .. | Less knob. |
| 76423 | ST19-2 | Starting motor | Pull | Single hole .. | — |
| 76427 | ST18 | Starting motor | Push | Three hole .. | Diecast knob; for foot operation. |
| 76428 | ST10 | Starting motor | Pull | Four hole .. | Wire control operated; as 76404 except for crank of lever. |
| 76438 | ST18-1 | Starting motor | Push | Single hole .. | — |
| 76439 | ST9 | Starting motor | Pull | Three hole .. | Mounted to yoke of starting motor. |
| 76442 | 4SA | Starting motor | Push | Two hole .. | Mounted on starter yoke. |
| 031218 | PS7-1 | Ignition or choke warning light | Pull on—push off | Single hole .. | Comprises switch 31201 and knob 314026. |
| 031366 | PLC6 | Ignition and lighting | Rotary three way | Adaptor plate | Comprises switch 34055 and adaptor plate 344931. |
| 076411 | ST18 | Starting motor | Push | Single hole .. | Black metal knob; foot operated. |
| 076414 | ST18 | Starting motor | Push | Single hole .. | As 76438, but complete with push rod and spring, 13 $\frac{5}{8}$ " long. |
| 076415 | ST18 | Starting motor | Push | Single hole .. | As 76438, but complete with push rod and spring, 11 $\frac{1}{8}$ " long. |
| 076419 | ST18 | Starting motor | Push | Single hole .. | As 76438, but complete with push rod and spring, 4 $\frac{3}{8}$ " long. |
| 764248S | ST18 | Starting motor | Push | Single hole .. | Brown knob, marked 'S' and 'PUSH' in white. |



IGNITION AND STARTING SWITCHES



STARTING MOTOR SOLENOIDS

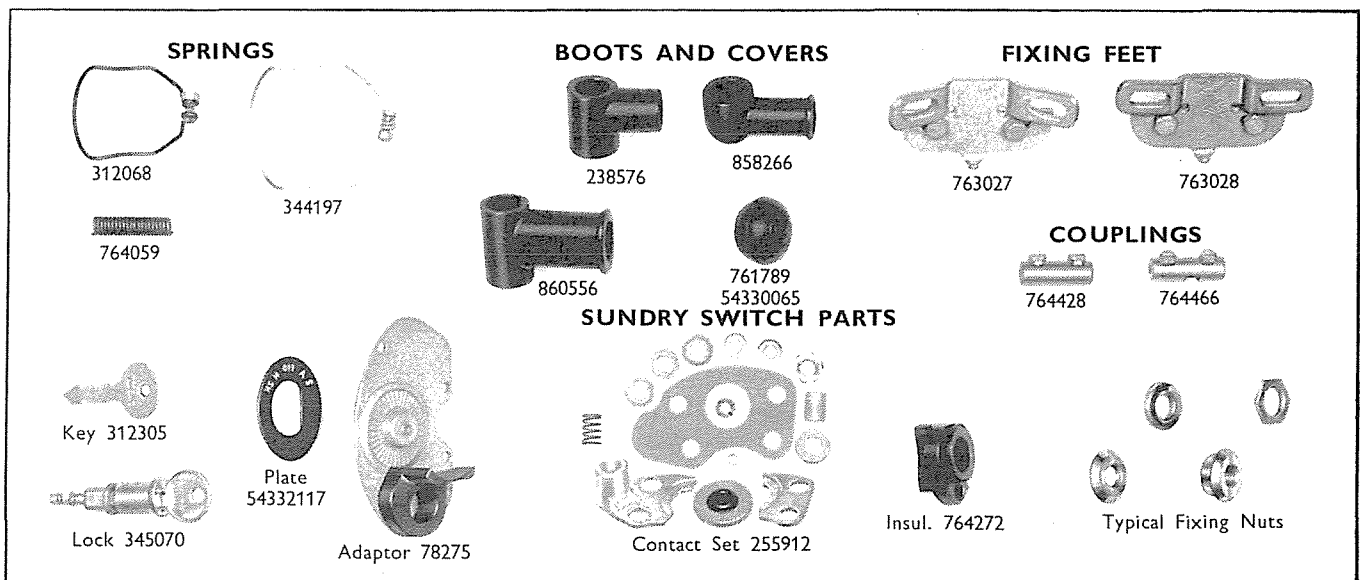
Descriptive Reference

| Part No. | Model | Fixing | Details | Part No. | Model | Fixing | Details |
|----------|---------|-----------|---|----------|-------|----------|--|
| 76022 | ST900-1 | Four hole | Mounted on commutator end bracket of 'G' type starter; 12 volt; earth return. | 76464 | 2ST | Two hole | 12 volt; earth return; Lucar connectors. |
| 76421 | ST950 | Two hole | 6 volt; earth return. | 76469 | 2ST | Two hole | 12 volt; earth return. |
| 76422 | ST950 | Two hole | 12 volt; insulated return. | 076013 | ST950 | Two hole | 12 volt; earth return; for Rolls-Royce. |

DETAILED SPARE PARTS

| Part No. | Model | 76022 | 76421 | 76422 | 76464 | 76469 | 076013 |
|--------------------------------|-------|---------|--------|--------|----------|----------|--------|
| Model | Model | ST900-1 | ST950 | ST950 | 2ST | 2ST | ST950 |
| §Insulator | .. | 764272 | — | — | — | — | — |
| Nut, control screw | .. | — | 170574 | 170574 | 170574 | 170574 | 170574 |
| Washer, control screw | .. | — | 185062 | 185062 | 185062 | 185062 | 185062 |
| §End cap, rubber | .. | 760130 | 760130 | 760130 | 763119 | — | 760130 |
| §Nut, terminal | .. | 166043 | 166043 | 166043 | 166019 | 166019 | 166043 |
| §Washer, terminal | .. | 131000 | 185040 | 185040 | 185040 | 185040 | 185040 |
| Connector, Lucar, starter push | .. | — | — | — | 54190015 | 54190015 | — |
| Connector, Lucar, fuse box | .. | — | — | — | 54190013 | 54190013 | — |
| Connector, Lucar, control box | .. | — | — | — | 54190014 | 54190014 | — |

These fixing feet are available if required: Foot, flat fixing 763028; foot, yoke fixing 763027.



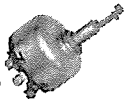
§ Recommended spares for stock

DETAILED SPARE PARTS

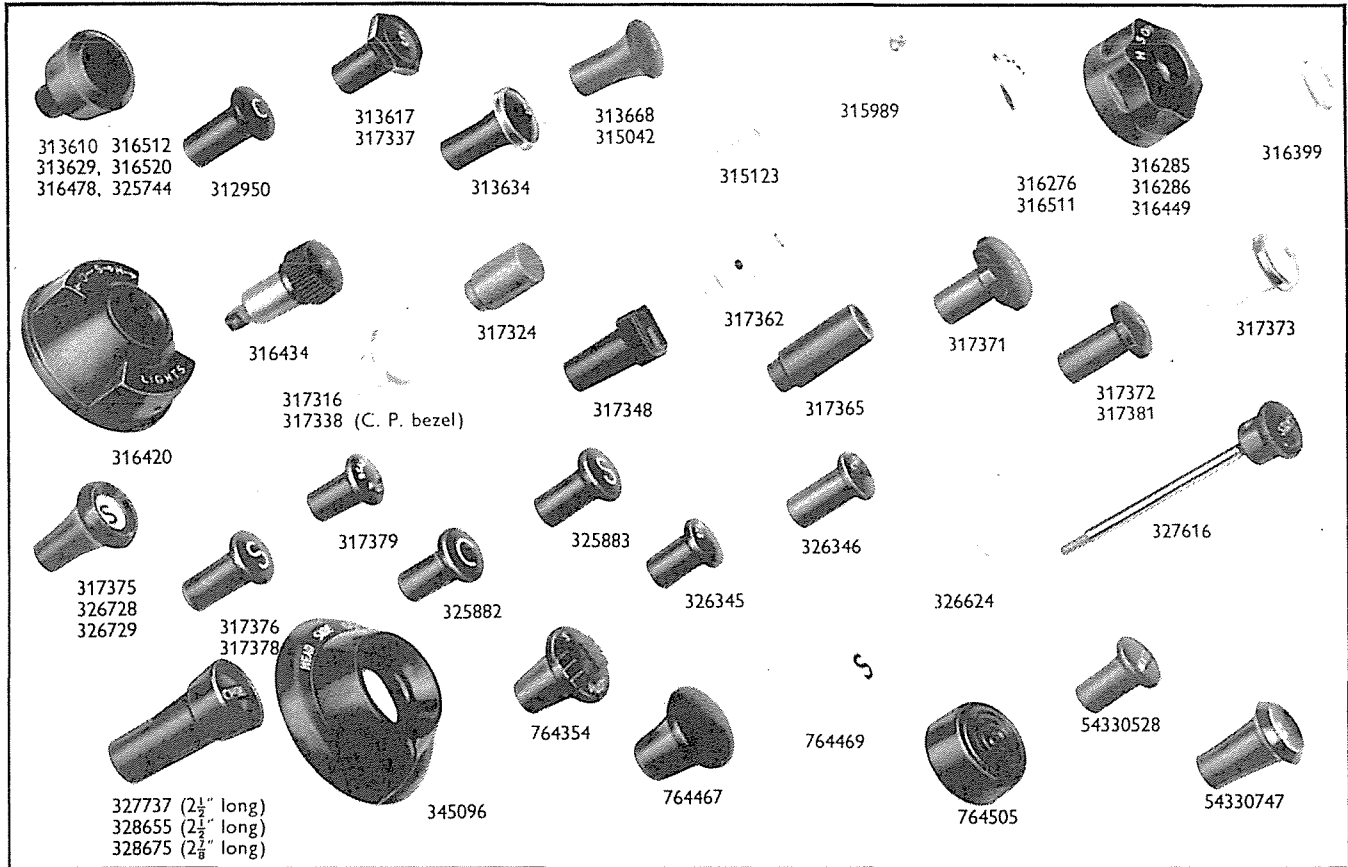
IGNITION AND STARTING SWITCHES

| | | | | | | | | | | | | | | |
|--|--------|--------|--------|--------|--------|--------|-----------|--------|----------|----------|--------|----------|--------|----------|
| Part No. | 31107 | 31113 | 31115 | 31141 | 31150 | 31153 | 31187 | 31194 | 31201 | 31216 | 31241 | 31246 | 31248 | |
| Model | SS5 | PS16 | SS8 | SS5 | SS5 | SS8 | SS5 | PRS2 | PS7-1 | SS5 | SS5 | SS6 | PS19 | |
| Nut, fixing | 180670 | — | — | — | 180670 | — | — | — | 314017 | — | 180670 | 180670 | 315081 | |
| Washer or rear nut, fixing | 158350 | — | — | — | 158350 | — | — | — | 180093 | — | 158350 | — | — | |
| §Washer, spring or shakeproof | 185188 | — | — | — | 185188 | — | — | — | 185081 | — | 185188 | 185002 | — | |
| §Screw, terminal | 120584 | 120560 | 120560 | 120584 | 120584 | 120560 | 120560 | 120560 | 120560 | 120560 | 120584 | 135444 | 120560 | |
| Lock or key | — | — | — | — | — | — | 345070 | — | — | 345070 | — | 312305 | — | |
| Part No. | 31253 | 31258 | 31270 | 31272 | 31279 | 31287 | 31344 | 31356 | 31361 | 31363 | 31377 | 31403 | 31416 | |
| Model | SS9 | SS5 | PRS3 | SS5 | SS9 | S45 | S50 | PS6 | SS5 | SS5 | SS5 | S45 | PRS3 | |
| Nut or spring, fixing | 183891 | 180670 | 312068 | 180670 | 183891 | — | 312068 | 180670 | 180670 | 180670 | 180670 | 54130041 | 312068 | |
| Washer, fixing | — | 158350 | — | 158350 | — | — | — | 158350 | 158350 | 158350 | 158350 | 164018 | — | |
| §Washer, spring or shakeproof | — | 185188 | 185000 | 185188 | — | — | — | 185188 | 185188 | 185188 | 185188 | — | 185000 | |
| §Screw, terminal | 120560 | 120584 | 132464 | 120584 | 120560 | 120560 | 120560 | 121610 | 120584 | 120584 | 120584 | 120560 | 132464 | |
| Part No. | 31421 | 31425 | 31447 | 31469 | 31497 | 31501 | 31516 | 31540 | 31543 | 31593 | 31600 | 31637 | 31655 | |
| Model | PRS3 | PHS1 | SS5 | SS10 | S55 | S60 | PRS3 | S4C | S60 | S60 | PS6 | S60 | PRS3 | |
| Nut or spring, fixing | 312068 | 183891 | 180670 | — | — | 156570 | 312068 | — | 156570 | 157051 | 180670 | 153591 | 312068 | |
| Washer or rear nut, fixing | — | — | 158350 | — | — | — | — | — | — | 156570 | 158350 | 156570 | — | |
| §Washer, spring or shakeproof | 185000 | 188412 | 185188 | — | — | 188412 | 185000 | — | 188412 | 188412 | 185188 | 188412 | 185000 | |
| §Screw, terminal | 132464 | 132464 | 120584 | 120560 | 110714 | 132464 | 132464 | 120560 | 132464 | 132464 | 121610 | 132464 | 132464 | |
| Part No. | 31678 | 31719 | 31781 | 31799 | 31810 | 31829 | 31854 | 31872 | 31899 | 31912 | 31958 | 31962 | 31967 | |
| Model | S60 | SS9 | S60 | 47SA | SS8 | 70SA | 70SA | SS5 | S45 | 47SA | PRS3 | S45 | SS5 | |
| Nut or spring, fixing | 157051 | 183891 | 153591 | 153591 | — | 153591 | 156570 | 180670 | 54130041 | 153591 | 312068 | 54130301 | 180670 | |
| Washer or rear nut, fixing | 156570 | — | 156570 | 154606 | — | 156570 | †54330767 | 158350 | 164018 | — | — | 164018 | 158350 | |
| §Washer, spring or shakeproof | 188412 | — | 185188 | — | — | 185188 | 188330 | 185188 | — | — | — | — | 185188 | |
| §Screw or nut, terminal | 132464 | 120560 | — | — | 120560 | — | 166043 | — | — | — | — | — | 120584 | |
| Part No. | 31971 | 31973 | 34005 | 34019 | 34038 | 34043 | 34054 | 34055 | 34056 | 34063 | 34090 | 34258 | 34264 | 34299 |
| Model | 47SA | 47SA | PLC6 | PLC2 | PLC6 | PLC6 | PLC6 | PLC6 | PLC6 | PLC6 | PLC6 | 47SA | 47SA | 70SA |
| Nut, fixing | 156570 | 153591 | — | — | — | — | — | — | — | — | — | 153591 | 153591 | 54130471 |
| Rear nut, fixing | — | 156570 | — | — | — | — | — | — | — | — | — | — | 156570 | 156570 |
| §Washer, spring or shakeproof | — | 154606 | — | — | — | — | — | — | — | — | — | — | — | — |
| §Screw, terminal | — | — | 120560 | 120560 | 120560 | 120560 | 120560 | 120560 | 120560 | 120560 | 120560 | — | — | — |
| Washer, fixing | — | — | — | — | — | — | — | — | — | — | — | — | 154606 | 185188 |
| Spring, fixing | — | — | — | — | 344197 | — | 344197 | 344197 | 344197 | — | — | — | — | — |
| Knob or lever | — | — | — | — | 344990 | — | 345065 | — | — | — | — | — | — | — |
| Lock and driving cup | — | — | 345070 | 345070 | 345070 | 345070 | — | 345070 | 345070 | 345070 | 345070 | — | — | — |
| Part No. | 76404 | 76412 | 76423 | 76427 | 76428 | 76438 | 76442 | 031218 | 031366 | 764248/S | 076411 | 076414 | 076415 | 076419 |
| Model | ST10 | ST18 | ST19-2 | ST18 | ST10 | ST18-1 | 4SA | PS7-1 | PLC6 | ST18 | ST18 | ST18 | ST18 | ST18 |
| Nut or spring, fixing | — | 182524 | 182524 | — | — | 182524 | — | 314017 | 344197 | 182524 | 182524 | 182524 | 182524 | 182524 |
| Rear nut, fixing | — | — | — | — | — | — | — | 180093 | †344931 | — | — | — | — | — |
| §Washer, spring or shakeproof | — | 185062 | 185061 | 185062 | — | 185062 | 185033 | — | — | 185062 | 185062 | 185062 | 185062 | 185062 |
| Washer, plain | — | 140300 | — | 140300 | — | — | — | — | — | 140300 | — | — | — | — |
| §Screw or nut, terminal | — | 170574 | 170574 | 170574 | — | 170754 | 172580 | 120560 | 120560 | 170574 | 170574 | 170574 | 170574 | 170574 |
| Washer, fixing | — | — | 188472 | — | — | 188472 | — | 185081 | — | 188472 | 188472 | 188472 | 188472 | 188472 |
| Knob or lever | 764431 | — | — | — | 764267 | — | — | 314026 | — | 764354 | 764505 | — | — | — |
| Nut or screw, knob or lever fixing | 112594 | — | — | — | 112594 | 167544 | — | — | — | 167544 | 167544 | 167544 | 167544 | 167544 |
| §Insulator, rubber | 764272 | — | — | — | 764272 | — | — | — | — | — | — | — | — | — |
| §Contact set | 255912 | — | — | — | 255912 | — | — | — | — | — | 76438 | 76438 | 76438 | 76438 |
| Spring, push rod | — | — | — | — | — | — | — | — | — | 764059 | — | 764059 | 764059 | 764059 |
| Lock and driving cup | — | — | — | — | — | — | — | — | 345070 | — | — | — | — | — |

† Key ‡ Adaptor plate § Recommended spares for stock ¶ Switch



IGNITION AND STARTING SWITCHES

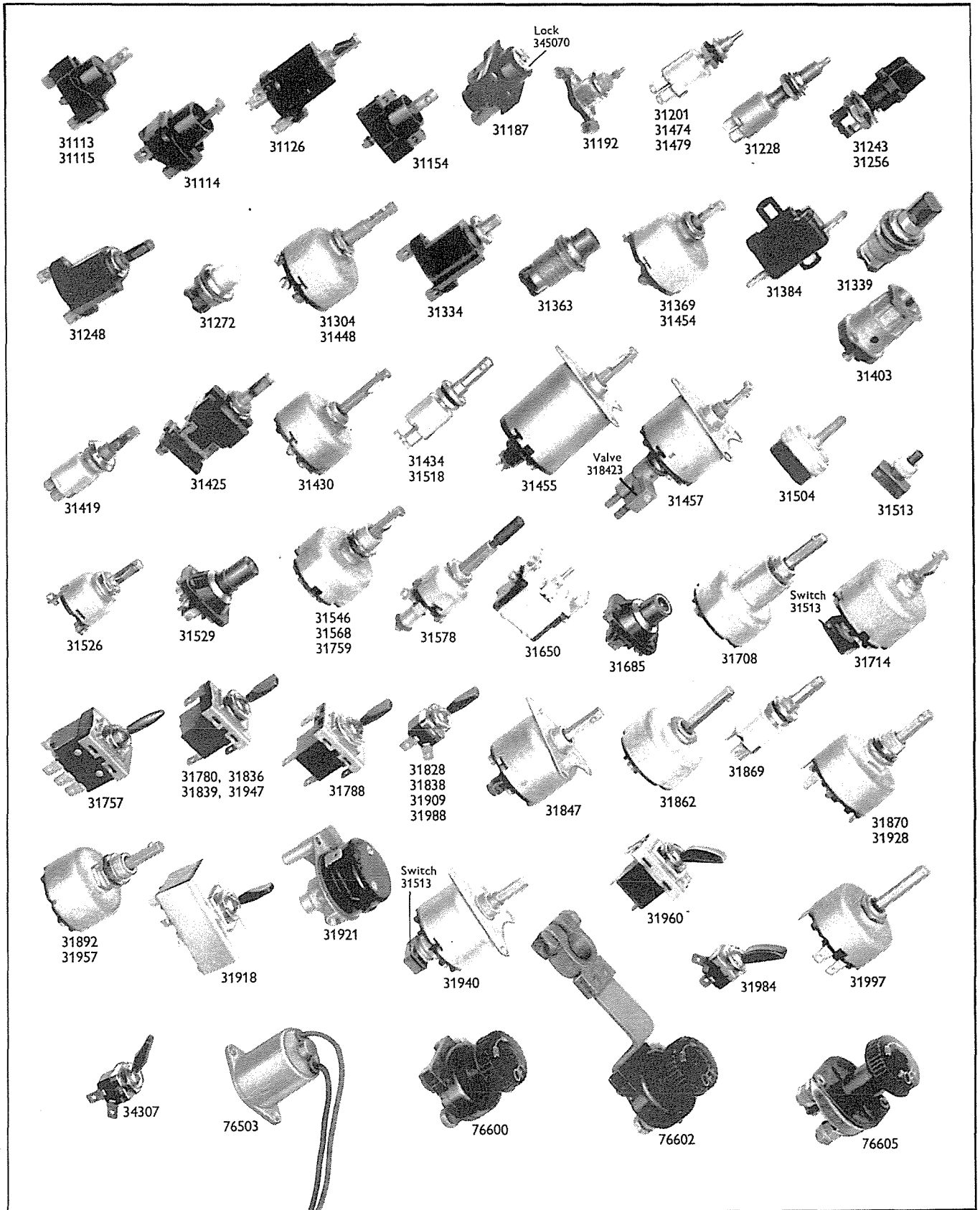


SWITCH KNOBS

| Part No. | Model | Finish | Marking | Method of Fitting | Part No. | Model | Finish | Marking | Method of Fitting |
|----------|--------------|---------------|----------------------------------|-------------------------|----------|--------|-------------------|-----------------------------------|-------------------------------|
| 312950 | PS7 | Black | 'C' in white | Push on | 317373 | SS9 | Cream; | | |
| 313610 | — | Black | 'Choke' in white .. | Screw on 2 B.A. thread | 317375 | SS9 | C.P. bezel .. | 'S' in red | Push on |
| 313617 | — | Black | 'C' in white | Push on | 317376 | SS9 | Black | 'S' in black on plastic button .. | Push on |
| 313629 | SS8 | Black | 'STARTER' in white .. | Push on | 317378 | SS9 | Black | 'S' in white | Push on |
| 313634 | SS9 | Black | 'S' in white | Push on | 317379 | SS9 | Brown | 'S' in cream | Push on |
| 313668 | SS9 | C.P. bezel .. | 'S' in white | Push on | 317381 | SS9 | Black | 'STARTER-PUSH' in white | Push on |
| 315042 | CHR1 | Black | 'S' in white | Push on | 325744 | — | Metallic grey | 'S' in white | Push on |
| 315123 | PPG1 or PS16 | Brown | Plain | Push on | 325882 | — | Black | Plain | Screw on 2 B.A. thread |
| 315989 | and PS19 | Mottled ivory | 'C' in gold | Push on | 325883 | — | Black | 'C' in white | Screw on 2 B.A. thread |
| 316276 | PS7-1 | Golden pearl | 'CHOKE' in black .. | Screw on | 326345 | SS9 | Black | 'S' in white | Screw on 2 B.A. thread |
| 316285 | PRS2 | Mottled cream | 'H-S-OFF' in black .. | Push on | 326346 | — | Black | 'STARTER' in white .. | Push on |
| 316286 | PRS2 | Black | 'H-S-OFF' in white .. | Push on | 326624 | — | Black | 'CHOKE' in white .. | Push on |
| 316286 | PRS2 | Grey | 'H-S-OFF' in white .. | Push on | 326728 | — | Grey | Plain | Push on |
| 316399 | SS9 | Cream | 'S' in brown | Push on | 326729 | — | Black | Black 'C' on grey insert .. | Screw on No. 10 U.N.F. thread |
| 316420 | PRS3 | Black | 'LIGHTS' and 'O-S-H' in white .. | Push on | 327616 | — | Black | Black 'S' on grey insert .. | Screw on No. 10 U.N.F. thread |
| 316434 | PRS3 | Black | 'ON' | Push on | 327737 | — | Black | 'START' in white .. | Combined knob and cable |
| 316449 | PRS3 | Black | 'H-S-OFF' in white .. | Spring loaded | 327737 | — | Black | 'CHOKE' in white .. | Push on |
| 316478 | PS16 | Grey | 'H-S-OFF' in white .. | Push on | 328655 | — | Stone | 'CHOKE' in black .. | Push on |
| 316478 | PS16 | Grey | Plain | Push on | 328675 | — | Black | 'CHOKE' in white .. | Push on |
| 316511 | PRS2 | Golden pearl | 'H-S-OFF' in black .. | Push on | 345096 | PLC6 | Black | 'HEAD-SIDE-OFF' in white .. | Secured by switch bezel |
| 316512 | PS16 | Golden pearl | Plain | Push on | 764354 | ST18 | Brown | 'S' and 'PUSH' in white | Screw on 1 B.A. thread |
| 316520 | Various | Black | Plain | Push on | 764467 | ST19-2 | Black | Plain | Grub screw |
| 317316 | SS8 | Mottled ivory | 'S' in gold | Push on | 764469 | ST19-2 | Cream | 'S' in black | Grub screw |
| 317324 | SS8 | C.P. | Plain | Push on | 764505 | ST18 | Cadmium plated .. | Plain | Screw on 1 B.A. thread |
| 317337 | SS8 | Black | 'S' in white | Push on | 54330528 | PHS1 | Black | 'HEATER' in white .. | Push on |
| 317338 | SS9 | Cream | 'S' in black | Push on | 54330747 | SS8 | Black | 'C' in white | Push on |
| 317348 | SS8 | Black | 'S' in ultra violet paint | Push on | | | | | |
| 317362 | SS9 | Cream | 'S' in black | Push on | | | | | |
| 317365 | SS9 | Black | Plain | Push on | | | | | |
| 317371 | SS9 | Black | 'S' in white | Push on | | | | | |
| 317372 | SS9 | Black | 'S' in white | Push on; octagonal head | | | | | |

C.P. .. Chromium plated

GENERAL PURPOSE SWITCHES



For detailed spare parts, see pages Q34-Q35



GENERAL PURPOSE SWITCHES

Descriptive Reference

| Part No. | Model | Usage | Action | Fixing | Special Features |
|----------|-------|--------------------------------------|--------------------------------------|------------------|--|
| 31113 | PS16 | Heater and wiper .. | Pull on-push off | Single hole | Less knob; as 31154, but terminals reversed; moulded body. |
| 31114 | PPG2 | Fan | Two stage pull on-push off | Two hole | Less knob; moulded body. |
| 31115 | SS8 | Screenjet | Push | Single hole | Moulded body. |
| 31126 | PPG1 | Heater or fan (blower) | Two stage pull on-push off | Single hole | Less knob; moulded body. |
| 31154 | PS16 | Heater, fan and wiper | Pull on-push off | Single hole | Less knob; as 31113, but terminals reversed; moulded body. |
| 31187 | S55 | Master | Rotary on-off | Two hole | Moulded body; lock and keys. |
| 31192 | PS15 | Windshield wiper .. | Pull on-push off | Single hole | — |
| 31201 | PS7-1 | Heater, fan and wiper | Pull on-push off | Single hole | Short thread for metal panel; as 31228 except for length of thread. |
| 31228 | PS7-1 | Windshield wiper .. | Pull on-push off | Single hole | Long thread for wooden panel; as 31201 except for length of thread. |
| 31243 | PS6 | Windshield wiper .. | Rotary on-off | Single hole | Black knob, marked 'WIPER' in white. |
| 31248 | PS19 | Heater, fan and wiper | Pull on-push off | Single hole | Less knob; moulded body. |
| 31256 | PS6 | Windshield wiper .. | Rotary on-off | Single hole | Black knob. |
| 31272 | SS5 | Earthing | Push | Single hole | Ivory knob. |
| 31302 | PRS5 | Windshield wiper .. | Rotary three way | Single hole | Less knob; similar to 31448. |
| 31304 | PRS5 | Windshield wiper .. | Rotary two way | Single hole | Less knob; for single speed operation; as 31369, but longer spindle. |
| 31334 | PS19 | Windshield wiper .. | Pull on-push off | Single hole | Less knob; as 31248 except for spindle. |
| 31339 | PS6 | Panel and heater .. | Rotary on-off | Single hole | Long body, plain black knob. |
| 31363 | SS5 | Screenjet | Push | Single hole | Plain black knob; long thread. |
| 31369 | PRS5 | Windshield wiper .. | Rotary two way | Single hole | Less knob; for single speed operation; as 31304, but shorter thread. |
| 31384 | 22B | Trailer security .. | Pull | Clip | Less clip and screw; black finish. |
| 31403 | S45 | Isolating | Rotary on-off | Single hole | Less lock and keys. |
| 31419 | PS7-2 | Heater, fan and wiper | Pull on-push off | Single hole | Less knob; for two-speed operation; special for Rolls-Royce. |
| 31425 | PHS1 | Heater | Push | Single hole | Less knob. |
| 31430 | PRS7 | Windshield wiper .. | Rotary three way | Single hole | Less knob. |
| 31434 | PS7 | Windshield wiper .. | Pull on-push off | Single hole | Less knob. |
| 31448 | PRS5 | Windshield wiper .. | Rotary three way | Single hole | Less knob; for two-speed operation; special for Rolls-Royce. |
| 31454 | PRS5 | Windshield wiper .. | Rotary three way | Single hole | Less knob; for two-speed operation. |
| 31455 | PRS9 | Heater, demister and air valve | Push-pull and rotary three way | Three hole plate | Less knob; tinned fixing plate. |
| 31457 | PRS9 | Wiper and screenjet | Push-pull and rotary three way | Three hole plate | Less knob; tinned fixing plate. |
| 31474 | PS7 | Heater | Pull on-push off | Single hole | Less knob; as 31201 except for fixing nut. |
| 31479 | PS7 | Windshield wiper .. | Pull on-push off | Single hole | Less knob. |
| 31504 | 12SA | Hand brake | Pull on-push off | Single hole | Insulated return. |
| 31513 | 15SA | Screenjet | Push | Single hole | Black knob; cream fixing nut. |
| 31518 | PS7 | Windshield wiper .. | Pull on-push off | Single hole | Less knob. |
| 31526 | PS20 | Windshield wiper .. | Rotary two way | Single hole | Less knob. |
| 31529 | PS9 | Fan | Push on-off, tumbler .. | Single hole | Blade knob, marked 'FAN' in white. |
| 31546 | PRS7 | Windshield wiper .. | Rotary two way | Single hole | Less knob. |
| 31568 | PRS7 | Windshield wiper .. | Rotary three way | Single hole | Less knob. |
| 31578 | 30SA | Screenjet | Rotary two way | Single hole | Less knob. |
| 31581 | PS7 | Heater | Pull on-push off | Single hole | Less knob; similar to 31434 except for fixing nuts. |
| 31650 | 49SA | Window lift | Push | Two screw | No top plate. |
| 31685 | PS9 | Heater | Push on-off, tumbler .. | Single hole | Brown knob, marked 'H' in white. |
| 31708 | PRS7 | Air conditioner .. | Rotary four way | Single hole | Less knob. |
| 31714 | 50SA | Wiper and screenjet | Rotary three way | Single hole | Incorporates screenjet switch 31513. |
| 31757 | 45SA | Windshield wiper .. | Toggle | Single hole | Single speed. |
| 31759 | PRS7 | Trailer change-over .. | Rotary two way | Single hole | Less knob. |
| 31780 | 57SA | Windshield wiper .. | Toggle two way | Single hole | Lucar connectors; black knob. |
| 31788 | 57SA | Heater | Toggle three way | Single hole | Lucar connectors; black knob. |
| 31828 | 65SA | Heater | Lever on-off | Single hole | Lucar connectors; black knob. |
| 31836 | 57SA | Windshield wiper .. | Toggle two way | Single hole | Lucar connectors; black knob. |
| 31838 | 65SA | Heater and panel .. | Lever on-off | Single hole | Lucar connectors; black knob. |
| 31839 | 57SA | Wiper and panel .. | Toggle two way | Single hole | Lucar connectors; black knob. |
| 31847 | PRS9 | Windshield wiper .. | Rotary three way and push | Three hole plate | Less knob. |
| 31862 | PRS7 | Heater | Rotary three way | Single hole | Less knob. |
| 31869 | PS7 | Windshield wiper .. | Pull on-push off | Single hole | Less knob. |
| 31870 | PRS7 | Windshield wiper .. | Rotary three way | Single hole | Lucar connectors. |
| 31892 | PRS7 | Windshield wiper .. | Rotary three way | Single hole | For two-speed motor. |

For illustrations, see pages Q29 and Q32

continued

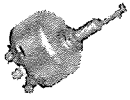
GENERAL PURPOSE SWITCHES



Descriptive Reference—*continued*

| Part No. | Model | Usage | Action | Fixing | Special Features |
|----------|-------|---|------------------------|------------------|--|
| 31909 | 65SA | Heater | Lever on-off | Single hole | Lucar connectors; grey knob. |
| 31918 | 79SA | Windshield wiper .. | Toggle three way | Single hole | Lucar connectors; black knob. |
| 31921 | 60SA | Brake booster warning light | Hydraulic | Two hole flange | Lucar connectors. |
| 31928 | PRS7 | Windshield wiper .. | Rotary three way | Single hole | Lucar connectors. |
| 31940 | PRS9 | Wiper and screenjet | Rotary three way | Three hole plate | Incorporates screenjet switch 31513. |
| 31947 | 57SA | Wiper and panel .. | Toggle | Single hole | Lucar connectors. |
| 31954 | PRS7 | Windshield wiper .. | Rotary three way | Single hole | Less knob; similar to 31568 except for fixing nut. |
| 31957 | PRS7 | Windshield wiper .. | Rotary three way | Single hole | For two-speed motor. |
| 31960 | 57SA | Fan | Toggle three way | Single hole | Three positions: OFF, SLOW, FAST. |
| 31975 | PRS7 | Windshield wiper .. | Rotary three way | Single hole | For two-speed motor; similar to 31928 except for fixing nuts. |
| 31984 | 65SA | Screenjet | Lever on-off | Single hole | Lucar connectors. |
| 31988 | 65SA | Windshield wiper .. | Lever on-off | Single hole | Lucar connectors; cream knob. |
| 31997 | PRS7 | Windshield wiper .. | Rotary three way | Single hole | For two-speed motor; Lucar connectors. |
| 34266 | PS19 | Windshield wiper .. | Pull on-push off | Single hole | Less knob; Lucar connectors; otherwise as 31248. |
| 34307 | 65SA | Horn | Lever on-off | Single hole | Spring return; Lucar connectors. |
| 76503 | 2S | Solenoid for hydraulic suspension dampers | — | Two hole flange | For Rolls-Royce and Bentley. |
| 76600 | ST350 | Battery master .. | Rotary | Strap and lug | Switch only; black knob marked 'OFF'. |
| 76602 | ST350 | Battery master .. | Rotary | Strap and lug | Switch 76600 with connector and lug 768045, for positive earth. |
| 76605 | ST350 | Battery master .. | Rotary | Two hole plate | Black knob marked 'OFF'. |
| 78203 | CHR1 | Heater or fan .. | Rotary | Single hole | Less knob; $\frac{3}{4}$ " bush; 2.35-2.65 ohms resistance; grub screw knob fitting. |
| 78205 | CHR1 | Heater or fan .. | Rotary | Single hole | Less knob; 2" bush; 3 ohms resistance; grub screw knob fitting. |
| 78206 | CHR1 | Heater or fan .. | Rotary | Single hole | Less knob; $\frac{3}{4}$ " bush; 11.6-13.4 ohms resistance; grub screw knob fitting. |
| 78210 | CHR1 | Heater or fan .. | Rotary | Single hole | Less knob; $1\frac{1}{2}$ " bush; 14-16 ohms resistance; grub screw knob fitting; special for Rolls-Royce. |
| 78216 | CHR1 | Heater or fan .. | Rotary | Single hole | Less knob; $\frac{3}{8}$ " bush; 1.1 ohms resistance; grub screw knob fitting. |
| 78241 | CHR1 | Heater or fan .. | Rotary | Single hole | Less knob; $\frac{3}{8}$ " bush; 2.35-2.65 ohms resistance; push-on knob fitting. |
| 78250 | CHR1 | Heater or fan .. | Rotary | Single hole | Less knob; $1\frac{1}{2}$ " bush; 2.35-2.65 ohms resistance; grub screw knob fitting. |
| 78260 | CHR1 | Heater or fan .. | Rotary | Single hole | Less knob; $\frac{3}{8}$ " bush; 5-6 ohms resistance; grub screw knob fitting. |
| 78286 | CHR3 | Demister, heater or fan | Rotary three way | Single hole | Less knob; $\frac{11}{16}$ " bush; 4.5-5 ohms resistance; push-on knob fitting. |
| 78305 | 2R | Heater and water control | Pull and rotary | Single hole | 4.25 ohms resistance; with wire and cable. |
| 78311 | CHR1 | Dimmer and demister | Rotary | Single hole | Less knob; $\frac{1}{2}$ " bush; 11.6-13.6 ohms resistance; push-on knob fitting. |
| 78328 | 2R | Heater and water control | Pull and rotary | Single hole | As 78305, but with longer wire and cable. |
| 78339 | 3R | Heater | Rotary | Single hole | Less knob; 2.55 ohms resistance. |
| 78346 | 3R | Dimmer and demister | Rotary | Single hole | Less knob; $\frac{7}{16}$ " bush; 12.5 ohms resistance. |
| 78356 | 3R | Heater | Rotary | Single hole | Less knob; $\frac{3}{8}$ " bush; 5-6 ohms resistance. |
| 78357 | 3R | Heater | Rotary | Single hole | Less knob; $\frac{3}{8}$ " bush; 1.1 ohms resistance. |
| 78361 | 3R | Heater or fan .. | Rotary | Single hole | Less knob; $\frac{3}{8}$ " bush; 3 ohms resistance. |
| 78362 | 3R | Heater | Rotary | Single hole | Less knob; $\frac{3}{8}$ " bush; 2.55 ohms resistance. |
| 78370 | 3R | Heater | Rotary | Single hole | Less knob; 2.55 ohms resistance. |
| 78384 | 3R | Heater | Rotary | Single hole | Less knob; 5 ohms resistance. |
| 768380 | CHR1 | Heater or fan .. | Rotary | Single hole | With knob; $\frac{1}{2}$ " bush; 7-8 ohms resistance. |

For illustrations, see pages Q29 and Q32



GENERAL PURPOSE SWITCHES



For detailed spare parts, see pages Q34-Q35

GENERAL PURPOSE SWITCHES



SWITCH KNOBS

| Part No. | Model | Finish | Marking | Method of Fitting | Part No. | Model | Finish | Marking | Method of Fitting |
|----------|-------|---------------------|--|--------------------------|----------|---------------|-----------------|---|---------------------------|
| 305493 | — | Black | Decorative insert .. | Push on | 317456 | PS15 | Stone grey .. | Plain | Screw on 6 B.A. thread |
| 312613 | PRS7 | Black | 'H-N-O-WIPER' in white | Push on | 317507 | PS7 | Ivory | 'W' in black | Screw on 8 A.N.C. thread |
| 312626 | PRS7 | Brown | 'H-N-P-WIPER' in cream | Push on | 317526 | PS16 | Mottled cream | 'W' in red; C.P. bezel .. | Push on |
| 312644 | PRS7 | Black | 'H-N-P-WIPER' in white | Push on | 317529 | — | Black | Plain | Screw on 10 A.N.F. thread |
| 312865 | PS7 | Black | 'W' in white | Push on | 317530 | PS7 | Black | 'WIPER' in white .. | Push on |
| 312872 | PS7 | Black | 'W' in white | Push on | 317531 | PS7 | Black | 'HEATER' in white .. | Push on |
| 312873 | PS7 | Brown | 'W' in cream | Push on | 317602 | PRS5 | Black | 'WIPER' in white .. | Push on |
| 312891 | PS7 | Brown | 'H' in cream | Push on | 318167 | PRS5 | Black | 'W' in white | Push on |
| 312892 | PS7 | Black | 'H' in white | Push on | 318169 | PRS5 | Ivory | 'WIPER-H-N-P' in black | Push on |
| 312897 | PS7 | Black | 'BLOWER' in white .. | Push on | 318171 | PRS7 | Black | 'W' and an arrow in white | Push on |
| 312951 | PS7 | Black | 'W' in white | Push on | 318172 | PRS7 | Black | 'H' and an arrow in white | Push on |
| 312954 | PS19 | Black | 'W' in white | Push on | 318178 | PRS7 | Pipe grey | 'WIPER' and an arrow in black | Push on |
| 313062 | 50SA | Black | 'H-N-P-WIPER' in white | Grub screw | 318180 | — | Black | 'PUSH FOR AIR' in white | Push on |
| 313337 | 30SA | Black | 'WIPER' and an arrow in white | Grub screw | 318350 | PS7 | C.P. | Plain | Push on |
| 313605 | PS7 | Black | 'W' in ivory | Screw on | 318350 | PS7 | C.P. | Plain | Screw on 8 A.N.C. thread |
| 313619 | PS7 | Cream | 'F' in black | Push on | 318369 | PS7 | Black | Plastic insert with 'W' in black; aluminium background | Push on |
| 313622 | PS7 | Black | 'HEATER' in white .. | Push on | 318370 | PS7 | Black | 'H' in clear diakon .. | Push on |
| 313624 | SS8 | Black | 'SCREEN WASHER' in white | Push on | 318378 | PS7 | Brown | Plain | Screw on 8 A.N.C. thread |
| 313625 | CHR1 | Black | 'DEMIST-R-WINDOW' and an arrow in white .. | Push on | 318385 | PS7 | Brown | 'W' in cream | Screw on 8 A.N.C. thread |
| 313633 | PS7 | Black; bright bezel | 'W' in white | Push on | 318476 | PRS7 and PS20 | Black | 'WIPER' and an arrow in white | Push on |
| 313662 | PS15 | Pebble grey .. | 'W' in black | Screw on | 318492 | PRS5 | Black | 'W' in white | Push on |
| 313682 | 50SA | Black | 'H-N-P-WIPER-PRESS FOR WASHER' in white .. | Push on | 325347 | — | Ivory | 'ON', 'OFF', double-headed arrow and 'WATER VALVE' in black | Grub screw |
| 313683 | PS7 | Black | 'H' in white | Push on | 325348 | — | Ivory | 'ON', 'OFF', double-headed arrow and 'DEMISTER' in black .. | Grub screw |
| 313690 | PS7 | Black | 'W' in white | Push on | 325349 | — | Ivory | Line 1/8" wide in black .. | Grub screw |
| 314026 | PS7 | Black | Plain | Screw on 8 A.N.C. thread | 325721 | — | Ivory | 'VENTILATOR-PULL TO OPEN' in black .. | Grub screw |
| 314437 | PS7 | C.P. | Plain | Screw on 8 A.N.C. thread | 326724 | — | Golden pearl | 'AIR' in black | Screw on 2 B.A. thread |
| 315042 | PG1 | Brown | Plain | Push on | 327617 | — | Black | 'AIR' in white | Screw on 2 B.A. thread |
| 315061 | PS15 | Ivory | Plain | Screw on 6 B.A. thread | 768378 | CHR1 | Brown | An arrow in white .. | Grub screw |
| 315062 | PS15 | Ivory | Plain | Screw on 6 B.A. thread | 768424 | CHR1 | C.P. | Plain | Grub screw |
| 315069 | PS15 | Black | Plain | Screw on 6 B.A. thread | 768442 | CHR1 | Walnut | 'FAN' 'OFF-ON-DECREASE' and an arrow in green .. | Grub screw |
| 315075 | PS15 | Brown | Plain | Screw on 6 B.A. thread | 768443 | CHR1 | Walnut | 'HEAT' 'ON-OFF' in green | Grub screw |
| 315104 | PS16 | Golden pearl | Plain | Push on | 768473 | CHR1 | Black | 'FAST-SLOW-HEATER' in white .. | Grub screw |
| 315121 | PS16 | Cream | Plain | Push on | 768522 | CHR1 | Ivory | 'FAST-SLOW-HEATER' in black .. | Grub screw |
| 315140 | PS16 | C.P. | Plain | Push on | 768650 | CHR1 | Brown | 'H' and an arrow in white | Grub screw |
| 316133 | PRS7 | Black | 'L' in white | Push on | 768973 | 3R | Cream | 'D' in black | Push on |
| 316162 | PG1 | Cream | 'B' in black | Push on | 769016 | 2R | C.P. | Plain | Fixing peg |
| 316221 | PS7 | Mottled green | 'H' in black | Screw on 8 A.N.C. thread | 54330528 | PHS1 | Black | 'HEATER' in white .. | Push on |
| 316352 | PS19 | Black | 'FAN' in white | Push on | 54330741 | PRS7 and PS15 | Black | 'W' in white | Screw on |
| 316371 | PS19 | Black | 'WIPER' in white .. | Push on | 54330754 | PS15 | Stone grey .. | Plain | Screw on |
| 316381 | PS19 | Cream | 'H' in brown | Push on | 54330757 | PRS7 | Pipe grey | 'WIPER' and an arrow in black | Push on |
| 316386 | PS19 | Cream | 'C' in black | Push on | 54330878 | PS7 | Grey | 'WIPER' in white .. | Push on |
| 316388 | PS7 | Brown | 'W' in cream | Push on | 54330882 | — | Grey | 'SCREEN, CAR' in white .. | Push on |
| 316390 | — | Black | 'A' in white | Push on | 54330883 | PS7 | Grey | 'HEAT' in white | Push on |
| 316391 | PS19 | Black | 'W' in white | Push on | 54330885 | PG1 | Black | 'HEATER' in white .. | Push on |
| 316393 | PS7 | Cream | 'W' in black | Push on | 54330899 | PS7 | Pebble grey .. | 'W' in black | Push on |
| 316478 | PS16 | Grey | Plain | Push on | 54331189 | PS7 | Coffee | 'WIPER' in white .. | Push on |
| 316485 | PS16 | Black | 'FAN' in white | Push on | 54331265 | PPG2 | Black | 'FAN' in white | Push on |
| 316486 | — | Black | 'HEAT' and an arrow in white | Push on | 54331278 | 3R | Black | 'H' in white | Push on |
| 316510 | PRS5 | Golden pearl | 'H-N-P' in black .. | Push on | 54331339 | PS7 | Black | 'H' in white | Push on |
| 316512 | PS16 | Golden pearl | Plain | Push on | 54332086 | 3R | Black | 'FAST-SLOW-HEATER' in white .. | Push on |
| 316519 | PRS5 | Black | 'H-N-P' in white .. | Push on | 54332711 | PS7 | Cream | Plain | Push on |
| 316520 | PS16 | Black | Plain | Push on | 54333487 | 3R | Brown | 'FAST-SLOW-HEATER' in white .. | Push on |
| 316521 | PS15 | Ivory | 'W' in black | Screw on | | | | | |
| 316623 | PRS5 | Black | 'WIPER' in white .. | Push on | | | | | |
| 316632 | PRS5 | Black | 'WIPER' and an arrow in white | Push on | | | | | |
| 316633 | PRS5 | Black | Plastic insert with 'W' in black; ivory background | Push on | | | | | |
| 316646 | PRS5 | Black | 'WIPER-H-N-P' in white | Push on | | | | | |
| 316695 | PS20 | Stone | 'WIPER' and an arrow in black | Push on | | | | | |
| 317453 | PS15 | Black | 'W' in white | Screw on 6 B.A. thread | | | | | |

DETAILED SPARE PARTS

Q34

31113 — 31828

GENERAL PURPOSE SWITCHES

| | | | | | | | | | | | | |
|---|--------|--------|--------|--------|--------|--------|--------|--------|----------|----------|----------|----------|
| Part No. | 31113 | 31114 | 31115 | 31126 | 31154 | 31187 | 31192 | 31201 | 31228 | 31243 | 31248 | |
| Model | PS16 | PPG2 | SS8 | PPG1 | PS16 | S55 | PS15 | PS7 | PS7 | PS6 | PS19 | |
| §Screw or sleeve, terminal | 120560 | 120560 | 120560 | 120560 | 120560 | 120560 | 188818 | 120560 | 120560 | 121610 | 120560 | |
| §Washer, spring | — | — | — | — | — | — | — | — | — | 185188 | — | |
| Washer, fixing nut | — | — | — | — | — | — | — | 185081 | 185081 | 158350 | — | |
| Nut, fixing | — | — | — | 316101 | — | — | 315081 | 314017 | 316207 | 180670 | 315081 | |
| Nut, locking | — | — | — | — | — | — | — | 180093 | 180093 | — | — | |
| Lock and keys | — | — | — | — | — | 345070 | — | — | — | — | — | |
| Part No. | 31256 | 31272 | 31302 | 31304 | 31334 | 31339 | 31363 | 31369 | 31403 | 31419 | 31425 | |
| Model | PS6 | SS5 | PRS5 | PRS5 | PS19 | PS6 | SS5 | PRS5 | S45 | PS7 | PHS1 | |
| §Screw, terminal | 121610 | 120584 | 132504 | 132504 | 120560 | 121610 | 120584 | 132504 | 120560 | 120560 | 132464 | |
| §Washer, spring or shakeproof | 185188 | 185188 | 185000 | 185000 | — | 185188 | 185188 | 185000 | — | — | 188412 | |
| Washer, fixing nut | 158350 | 158350 | — | — | — | 158350 | 158350 | — | 164018 | 185081 | — | |
| Nut, fixing | 180670 | 180670 | 182660 | 182660 | 315081 | 180670 | 180670 | 182660 | 54130041 | 314017 | 183891 | |
| Nut, locking | — | — | — | — | — | — | — | — | — | 180093 | — | |
| Part No. | 31430 | 31434 | 31448 | 31454 | 31455 | 31457 | 31474 | 31479 | 31518 | 31526 | 31529 | |
| Model | PRS7 | PS7 | PRS5 | PRS5 | PRS9 | PRS9 | PS7 | PS7 | PS7 | PS20 | PS9 | |
| §Screw, terminal | 132464 | 120560 | 132504 | 132504 | 132464 | 132464 | 120560 | 120560 | 120560 | 132464 | 120560 | |
| §Washer, spring | 185000 | — | 185000 | 185000 | 185000 | 185000 | — | — | — | 185000 | — | |
| Washer, fixing nut | — | 185081 | — | — | — | — | 185081 | 185081 | 185081 | — | — | |
| Nut, fixing | 182660 | 317543 | 182660 | 318166 | — | — | 315072 | 314017 | 312858 | 182660 | 314540 | |
| Nut, locking | — | 180093 | — | — | — | — | 180093 | 180093 | 180093 | — | — | |
| Valve | — | — | — | — | — | 318423 | — | — | — | — | — | |
| Part No. | 31546 | 31568 | 31578 | 31581 | 31650 | 31685 | 31708 | 31757 | 31759 | 31780 | 31788 | 31828 |
| Model | PRS7 | PRS7 | 30SA | PS7 | 49SA | PS9 | PRS7 | 45SA | PRS7 | 57SA | 57SA | 65SA |
| §Screw, terminal | 132464 | 132464 | 132464 | 120560 | 135444 | 120560 | 132464 | — | 132464 | — | — | — |
| §Washer, spring | 185000 | 185000 | 185000 | 185081 | 185012 | — | 185000 | — | 185000 | — | — | — |
| Washer, fixing nut | 185106 | 185106 | — | — | — | — | 185106 | — | 185106 | 54148517 | 54148517 | 54148517 |
| Nut, fixing | 183891 | 183891 | 182660 | 180093 | — | 314540 | 182660 | 153601 | 183891 | 153631 | 153631 | 153601 |
| Nut, locking | 182660 | 182660 | — | — | — | — | 182660 | — | 182660 | — | — | — |
| § Recommended spares for stock | | | | | | | | | | | | |

For illustrations, see pages Q29 and Q32

continued

DETAILED SPARE PARTS

| Part No. | 31836 | 31838 | 31839 | 31847 | 31862 | 31869 | 31870 | 31892 | 31909 | 31918 | 31921 | 31928 |
|------------------------------|----------|----------|----------|--------|--------|--------|--------|--------|----------|----------|-------|----------|
| Model | 57SA | 65SA | 57SA | PRS9 | PRS7 | PS7 | PRS7 | PRS7 | 65SA | 79SA | 60SA | PRS7 |
| §Screw, terminal | — | — | — | 132464 | 132464 | — | — | 132464 | — | — | — | — |
| §Washer, spring | — | — | — | 185000 | 185000 | — | — | 185000 | — | — | — | — |
| Washer, fixing nut | 54148517 | — | — | — | — | 185081 | 185106 | 185106 | 54148517 | — | — | 54148517 |
| Nut, fixing | 153601 | 54130081 | 54130081 | — | 182660 | 314017 | 183891 | 183897 | 153601 | 54130081 | — | 182661 |
| Nut, locking | — | — | — | — | — | 180670 | 182660 | 182660 | — | — | — | 182660 |

| Part No. | 31940 | 31947 | 31954 | 31957 | 31960 | 31975 | 31984 | 31988 | 31997 | 34266 | 34307 | 76503 |
|------------------------------|--------|----------|--------|--------|----------|----------|----------|----------|--------|--------|----------|--------|
| Model | PRS9 | 57SA | PRS7 | PRS7 | 57SA | PRS7 | 65SA | 65SA | PRS7 | PS19 | 65SA | 2S |
| §Screw, terminal | 132464 | — | 132464 | 132464 | — | — | — | — | — | — | — | — |
| §Washer, spring | 185000 | — | 185000 | 185000 | — | — | — | — | — | — | — | — |
| Washer, fixing nut | — | 54148517 | 185106 | 185106 | 54148517 | 54148517 | 54148517 | 54148517 | — | — | 54148517 | — |
| Nut, fixing | — | 54130281 | 183891 | 183891 | 153601 | 54130311 | 153601 | 153601 | 182660 | 316360 | 153601 | — |
| Nut, locking | — | — | 182666 | 182660 | — | 182660 | — | — | — | — | — | — |
| End cap, rubber | †31513 | — | — | — | — | — | — | — | — | — | — | 765373 |

| Part No. | 76600 | 76602 | 76605 | ‡78203 | ‡78205 | ‡78206 | ‡78210 | ‡78216 | ‡78241 | ‡78250 | 78260 |
|---|---------|---------|---------|---------|---------|---------|---------|---------|---------|---------|--------|
| Model | ST350 | ST350 | ST330 | CHR1 | CHR1 | CHR1 | CHR1 | CHR1 | CHR1 | CHR1 | CHR1 |
| Lug and connector arm, positive | — | 768045 | — | — | — | — | — | — | — | — | — |
| §Screw, terminal | 120560 | 120560 | 125060 | 135481 | 135481 | 135481 | 135481 | 135481 | 135481 | 135481 | 135481 |
| §Washer, spring or shakeproof | 185062 | 185062 | 185062 | 188412 | 188412 | 188412 | 188412 | 188412 | 188412 | 188412 | 188412 |
| Washer, fixing nut | 140300 | 140300 | 140300 | 185106 | 185106 | 185106 | 185106 | 185106 | 185106 | 185106 | 185106 |
| Nut, connector or switch fixing | ‡170574 | ‡170574 | ‡170574 | 175328 | 175328 | 183976 | 175328 | 183897 | 183897 | 183976 | 183897 |
| Nut, locking | ‡170650 | ‡170650 | ‡170650 | 175328 | 175328 | 175328 | 175328 | 182660 | 182660 | 175328 | 182660 |
| Screw, knob fixing | — | — | — | 119347 | 119347 | 119347 | 119347 | 119347 | 119347 | 119347 | — |
| Knob | — | — | — | ¶768442 | ¶768424 | ¶768378 | ¶768473 | ¶768522 | ¶315042 | ¶768378 | — |

| Part No. | 78286 | 78305 | 78311 | 78328 | 78339 | 78346 | 78356 | 78357 | 78361 | 78362 | 78370 | 78384 | 768380 |
|---|--------|--------|--------|--------|--------|--------|--------|--------|--------|--------|--------|--------|--------|
| Model | CHR3 | 2R | CHR1 | 2R | 3R | 3R | 3R | 3R | 3R | 3R | 3R | 3R | CHR1 |
| §Screw, terminal | 135444 | — | 135481 | — | 132464 | 132464 | 132464 | 132464 | 132464 | 132464 | 132464 | 124069 | 135481 |
| §Nut, terminal screw | 166160 | — | — | — | — | — | — | — | — | — | — | — | — |
| §Washer, spring or shakeproof | 185007 | — | 188412 | — | 185000 | 185000 | 185000 | 185000 | 185000 | 185000 | 185000 | — | 188412 |
| Washer, fixing nut | 185106 | — | 185106 | — | 185106 | 185106 | 185106 | 185106 | 185106 | 185106 | — | 185106 | 185106 |
| Nut, fixing | 182660 | — | 183897 | — | 153631 | 153601 | 153601 | 153601 | 153601 | 153601 | 175327 | 153631 | 183897 |
| Nut, locking | 182660 | — | 182660 | — | 153636 | 153636 | 153636 | 153636 | 153636 | 153636 | 175327 | 153636 | 182660 |
| Body | — | 769021 | — | 769021 | — | — | — | — | — | — | — | — | — |
| Knob | — | 769016 | — | 769016 | — | — | — | — | — | — | — | — | 768378 |
| Wire and cable, or screw | — | 769019 | — | 769024 | — | — | — | — | — | — | — | — | 119347 |
| Connector, Lucar | — | — | — | — | 199316 | — | — | — | — | — | — | 199316 | — |

GENERAL PURPOSE SWITCHES

31836 — 768380

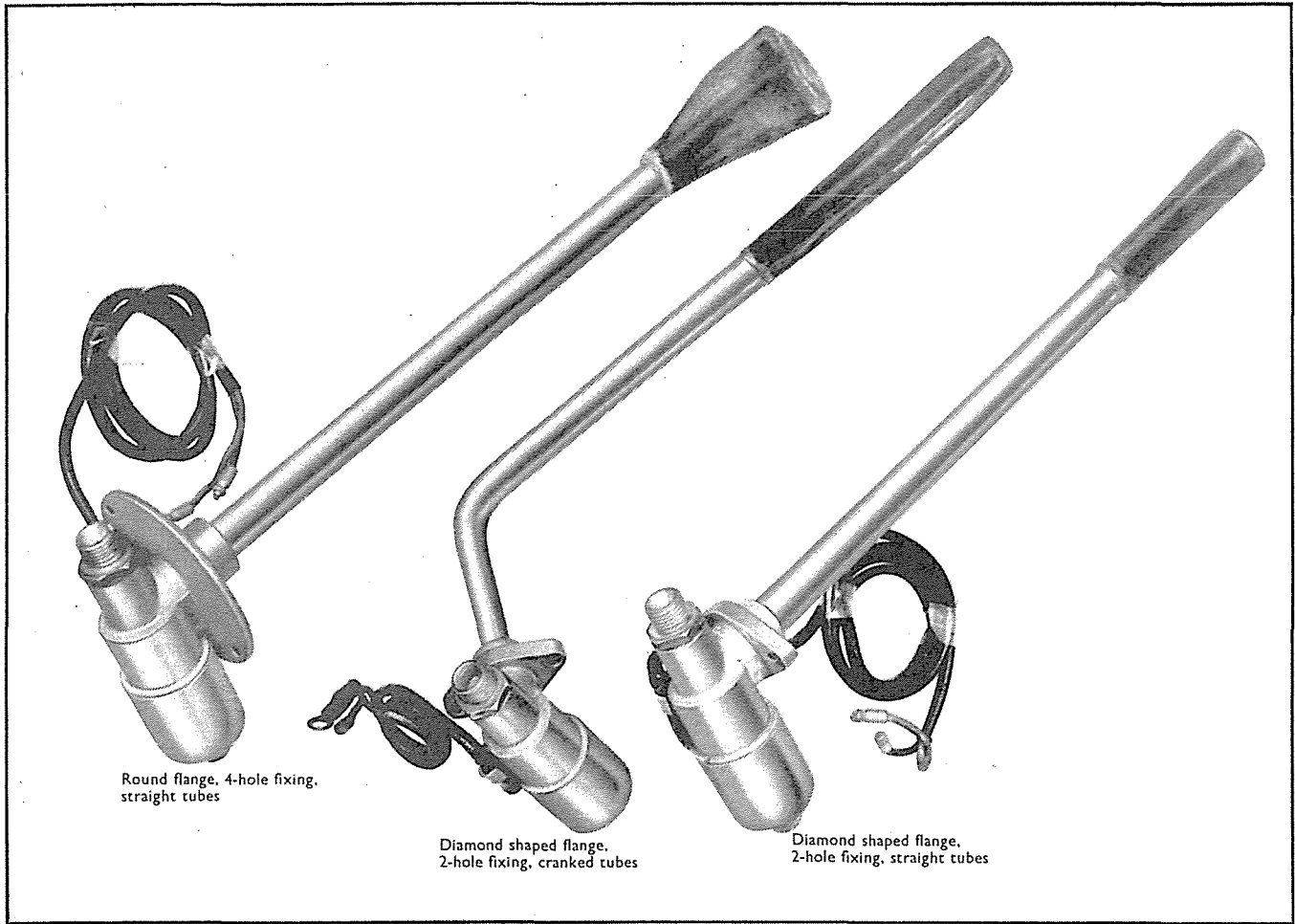
Q35

† Switch, screenspray ‡ Supplied less knob § Recommended spares for stock ¶ Nut, terminal ¶ Order separately

For illustrations, see pages Q29 and Q32



PETROL RESERVE VALVES



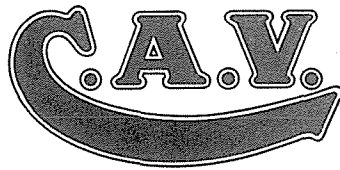
Round flange, 4-hole fixing, straight tubes

Diamond shaped flange, 2-hole fixing, cranked tubes

Diamond shaped flange, 2-hole fixing, straight tubes

| Part No. | Model | Voltage | Length of Main Tube | Length of Reserve Tube | Special Features |
|----------|-------|---------|---------------------|------------------------|---|
| 78000 | SPV | 12 | 9 $\frac{15}{32}$ " | 11 $\frac{7}{32}$ " | Round flange, four hole fixing; straight tubes. |
| 78001 | SPV | 12 | 7 $\frac{3}{4}$ " | 10 $\frac{1}{4}$ " | Round flange, four hole fixing; straight tubes. |
| 78006 | SPV | 12 | 3 $\frac{3}{4}$ " | 7 $\frac{1}{2}$ " | Diamond shaped flange, two hole fixing; straight tubes. |
| 78007 | SPV | 12 | 9 $\frac{15}{32}$ " | 10 $\frac{11}{32}$ " | Diamond shaped flange, two hole fixing; straight tubes. |
| 78014 | SPV | 12 | 8 $\frac{11}{16}$ " | 10 $\frac{3}{8}$ " | Diamond shaped flange, two hole fixing; straight tubes. |
| 78016 | SPV | 12 | 6 $\frac{9}{16}$ " | 8 $\frac{3}{16}$ " | Diamond shaped flange, two hole fixing; straight tubes. |
| 78017 | SPV | 12 | 5" | 6 $\frac{31}{32}$ " | Diamond shaped flange, two hole fixing; straight tubes. |
| 78020 | SPV | 12 | 6 $\frac{3}{4}$ " | 7 $\frac{11}{16}$ " | Diamond shaped flange, two hole fixing; cranked tubes. |
| 78021 | SPV | 12 | 10 $\frac{3}{8}$ " | 13" | Diamond shaped flange, two hole fixing; cranked tubes. |
| 78023 | SPV | 12 | 7 $\frac{7}{8}$ " | 10 $\frac{3}{8}$ " | Diamond shaped flange, two hole fixing; cranked tubes. |
| 78024 | SPV | 12 | 9 $\frac{1}{2}$ " | 11" | Diamond shaped flange, two hole fixing; straight tubes. |
| 78025 | SPV | 12 | 16 $\frac{1}{2}$ " | 19 $\frac{1}{2}$ " | Diamond shaped flange, two hole fixing; straight tubes. |
| 78026 | SPV | 12 | 2 $\frac{13}{16}$ " | 4 $\frac{13}{16}$ " | Diamond shaped flange, two hole fixing; straight tubes. |
| 78028 | SPV | 12 | 5 $\frac{13}{32}$ " | 7 $\frac{1}{2}$ " | Diamond shaped flange, two hole fixing; straight tubes. |
| 78029 | SPV | 12 | 8 $\frac{1}{2}$ " | 10 $\frac{23}{34}$ " | Diamond shaped flange, two hole fixing; straight tubes. |
| 78030 | SPV | 12 | 6 $\frac{3}{8}$ " | 9 $\frac{3}{32}$ " | Diamond shaped flange, two hole fixing; straight tubes. |
| 78034 | SPV | 12 | 4 $\frac{3}{8}$ " | 8 $\frac{3}{8}$ " | Diamond shaped flange, two hole fixing; straight tubes. |
| 78035 | SPV | 12 | 3 $\frac{3}{8}$ " | — | Diamond shaped flange, two hole fixing; straight tubes. |
| 78037 | SPV | 12 | 9 $\frac{35}{64}$ " | 11 $\frac{51}{64}$ " | Diamond shaped flange, two hole fixing; straight tubes. |
| †78039 | SPV | 12 | 9 $\frac{11}{16}$ " | 10 $\frac{33}{32}$ " | Diamond shaped flange, two hole fixing; straight tubes. |
| 78040 | SPV | 12 | 7 $\frac{17}{32}$ " | 7 $\frac{25}{32}$ " | Diamond shaped flange, two hole fixing; straight tubes. |
| 780025 | SPV | 12 | 10 $\frac{3}{16}$ " | 11 $\frac{7}{16}$ " | Round flange, four hole fixing; straight tubes. |
| 780060 | SPV | 12 | 9 $\frac{3}{32}$ " | 10 $\frac{31}{32}$ " | Round flange, four hole fixing; straight tubes. |

† Superseded by 78024



SWITCHES

Model Interpretation

- 108 Push-button starter switch.
- 1 Symbol number covering special features.
- 134 Battery cut-off switch.
- 19 Symbol covering special features.
- BBNF Solenoid switch.
- A Design change.
- 41 For series-parallel circuits.

Descriptive Reference

| Part No. | Description | Application |
|-----------|---|--------------------|
| 108-1 .. | Push operation; panel fitting; knob marked 'starter' | Solenoid operating |
| 108-2 .. | As 108-1, but knob marked 'Heater' | Heater |
| 134-19 .. | Manually operated cut-off switch, having a positive locking, turn only action | Master battery |
| 285-2A .. | Thermo-heater switch used for pre-heating of combustion chamber | Thermostart |
| BBNFA41 | Arranged for series-parallel operation, 12 volt running and 24 volt starting; has auxiliary contacts and is mounted on cast base plate with moulded, clip-on covers | Series-parallel |



C.A.V. SWITCHES

SERIES-PARALLEL SWITCH

| Model | BBNFA41 |
|------------------------------|----------|
| Part No. | 1820410 |
| Switch unit, complete | 5555-276 |
| Screw, small terminal | 5548-43 |
| Nut, large terminal | 5330-13A |
| Washer, lock, large terminal | NP1-11 |
| Cover, main | 5555-256 |
| Clip, main cover | 5518-5 |
| Cover, terminal | 5555-254 |
| Clip, terminal cover | 5518-6 |

BATTERY CUT-OFF SWITCH

| Model | 134-19 |
|--------------------------------|-----------|
| Part No. | 1824890 |
| Knob | 5555-196 |
| Nut, knob fixing | 5330-78 |
| Washer, knob nut | 5339-371 |
| Spring, knob | 5555-110 |
| Block, cover insulator | 5555-225 |
| Screw, cover fixing | 5335-123 |
| Washer, cover screw | 5001-10 |
| Ring, lock, cover screw | 5514-38 |
| Contact, connector | 5596-47 |
| Stud, contact connector fixing | 5335-271A |
| Contact, round | 5596-52A |
| Terminal, main | 5555-72 |
| Nut, main terminal, thin | 5330-3A |
| Nut, main terminal, thick | 5330-13A |
| Washer, plain, main terminal | 5246-12A |
| Washer, spring, main terminal | 5001-26 |
| Terminal, small | 5549-198A |
| Screw, grub, small terminal | 5549-206 |
| Washer, plain, small terminal | 5339-189A |
| Washer, spring, small terminal | 5293-39 |
| Nut, small terminal | 5330-80 |
| Moving contact assembly | 5555-142 |
| Spring, moving contact | 5555-35 |
| Socket, cable | 5459-54 |
| Cover, rubber, cable socket | 5506-54 |

THERMOSTART

| Model | 285-2A |
|------------------|---------|
| Part No. | 1850021 |
| Stud, banjo | 5935-26 |
| Joint, banjo | NW5-17 |
| Banjo | 5935-34 |
| Nut, terminal | NU2-5T |
| Washer, terminal | 5936-54 |

STARTER PUSH AND HEATER SWITCHES

| Model | 108-1 | 108-2 |
|--------------------------|-----------|-----------|
| Part No. | 1823410 | 1823420 |
| Knob, with contact | 5597-14 | 5597-14A |
| Spring | 5597-33 | 5597-33 |
| Plate, knob | 5597-2 | 5597-2 |
| Base, with contacts | 5597-40 | 5597-40 |
| Screw, base and plate | NS100-4Z1 | NS100-4Z1 |
| Washer, plain, terminal | 5080-6 | 5080-6 |
| Washer, spring, terminal | 5001-23 | 5001-23 |
| Nut, terminal, thick | 5330-19A | 5330-19A |
| Nut, terminal, thin | 5068-9 | 5068-9 |

BBNFA41 SERIES-PARALLEL SWITCH

134 BATTERY CUT-OFF SWITCH

285-2A THERMOSTART

108 PUSH SWITCHES