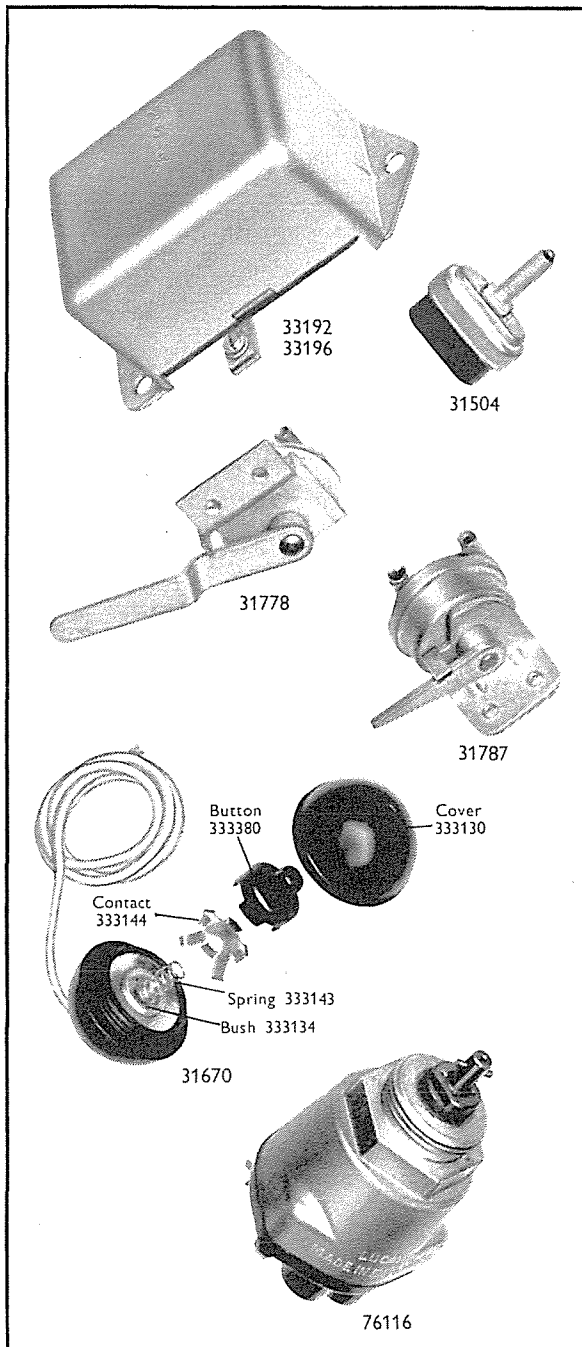


LUCAS

AUTOMATIC TRANSMISSION AND OVERDRIVE EQUIPMENT

SECTION

S



Electrical Equipment for NEWTON BENNET CLUTCH

Fitted to: Standard 'Eight', 'Ten' 'Companion' and 'Pennant'; Vauxhall 'Victor'.

RELAY			
Part No.	33192A	33196A
Model	7RA	7RA
Voltage	12	12
Detailed Parts			
§Screw, terminal	132464	132464
§Washer, terminal screw	185000	185000
SWITCH, Choke			
Part No.	31778A	31787A
Model	6SA	6SA
Detailed Parts			
§Sleeve, terminal	188818	188818
SWITCH, Starter Inhibitor			
Part No.		31504A/D
Model		12SA

Electrical Equipment for TORQUE CONVERTER

Fitted to: Rover '105R'.

SWITCH, Centrifugal			
Part No.		76116D
Model		OCS1
SWITCH, Gear Lever			
Part No.		31670A/J
Model		53SA
Detailed Parts			
Cover, button		333130
Button		333380
Contact		333144
Spring		333143
Bush, insulating		333134

Electrical Equipment for MANUMATIC TRANSMISSION

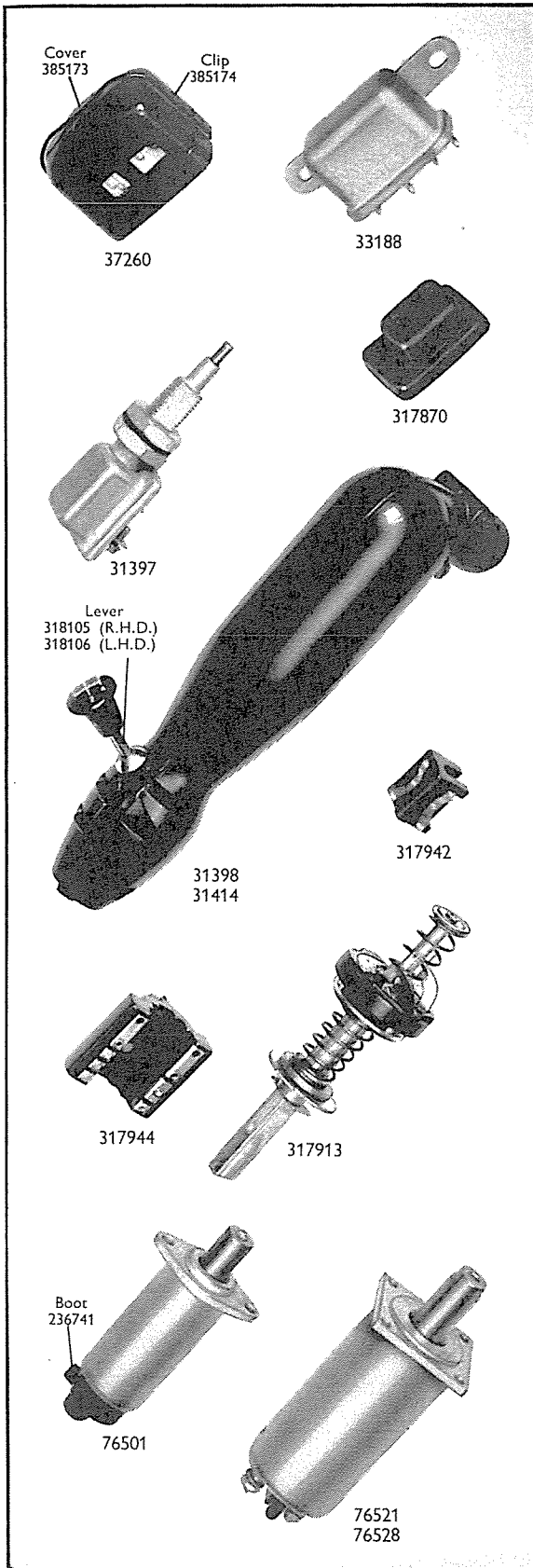
Fitted to: Hillman 'Minx'.

SWITCH, Isolator			
Part No.		31504A/D
Model		12SA

§ Recommended spares for stock



AUTOMATIC TRANSMISSION AND OVERDRIVE EQUIPMENT



Electrical Equipment for PRE-SELECTOR GEAR CHANGE

Fitted to: Armstrong Siddeley 'Sapphire' and 'Sapphire 346'.

FUSE BOX, Gear Change Solenoid		
Part No.	†37130A	37260A
Model	SF5-2	SF5-2
Replaced by (see footnote)	(37260)	—
§Cover	385173	385173
§Clip, cover fixing	385174	385174
§Fuse, 25 amp.	188216	—
§Screw, grub, terminal	121610	121610
RELAY, Gear Change		
Part No.	†33116B	33188A
Model	SB40-1	6RA
Voltage	12	12
Replaced by (see footnote)	(33188)	—
§Screw, terminal	132464	—
§Washer, terminal screw	188412	—
‡Cover	340786	—
SWITCH, Kick-down		
Part No.		31397A
Model		KDS1
Nut, fixing		183919
Washer, fixing nut		185171
§Screw, terminal, 4 B.A.		132504
§Washer, terminal screw		185000
‡Cover		317870
SWITCH, Gear Change		
Part No.	31398A/B	31414A
Model	PGS1	PGS1
Lever	318105	318106
§Contacts, springs and block	317942	317942
§Spindle, with rotor and springs	317913	317913
§Contact, fixed	317944	317944
§Sundry parts, set	318104	318104
SOLENOID, Gear Change		
Part No.		76501A
Model		TGS2
Voltage		12
Boot, rubber, plunger		236741
Plunger		765084
Nut, terminal		166043
Washer, terminal nut		185040

Electrical Equipment for 'EASIDRIVE'

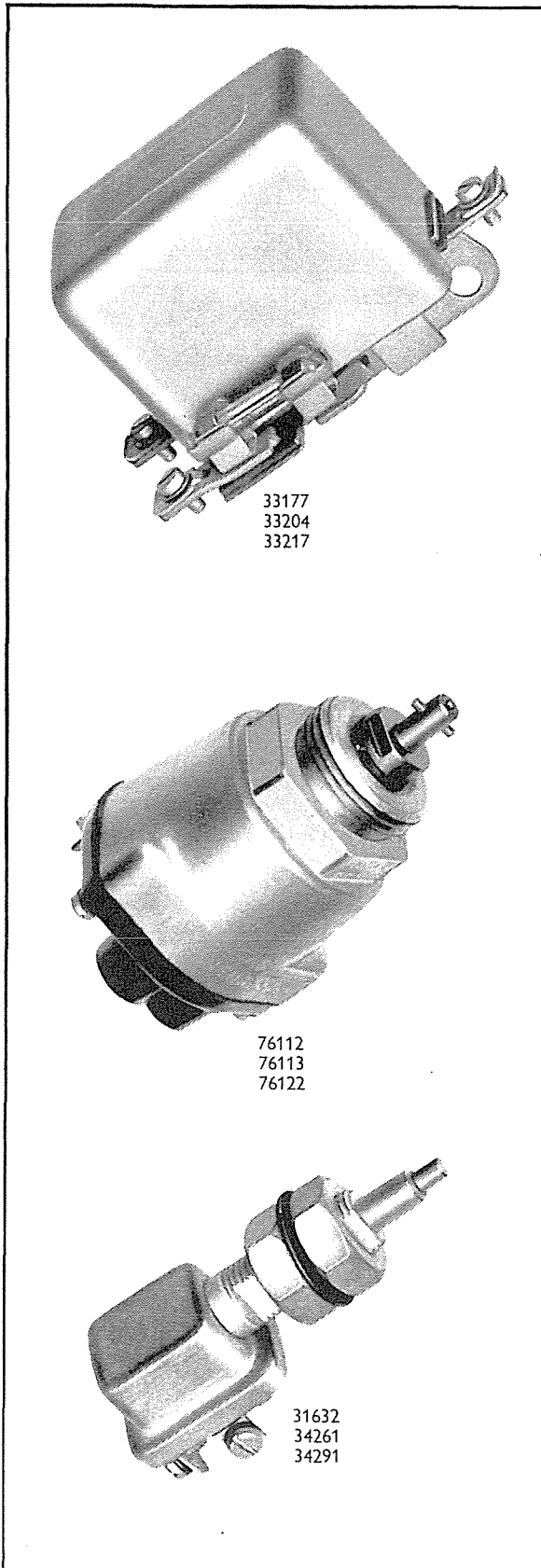
Fitted to: Hillman 'Minx' (De Luxe and Special); Singer 'Gazelle'.

CONTROL BOX		
Part No.	37305A/B	37323A
Model	RB310	RB310
<i>For detailed spare parts, see page C9</i>		
GENERATOR		
Part No.		22532A/D
Model		C45PV-5
<i>For detailed spare parts, see page D19</i>		
SOLENOID, Throttle Blipper		
Part No.	76521A/B	76528A
Model	3S	3S
Voltage	12	12
§Nut, terminal	166043	166043
§Washer, terminal nut	185040	185040

Note. For replacement spare parts, see appropriate column under part number
 § Recommended spares for stock

† When ordering, quote part number shown in brackets

‡ Supplied separately



Electrical Equipment for

BORG WARNER OVERDRIVE

Fitted to: Austin A55 'Cambridge', A95 and A99 'Westminster' and 'Countryman', A105 (BS7), A105 (BS8 'Vanden Plas') and B.M.C. 'Princess'
Morris 'Isis' (optional).
Riley 'Pathfinder' and 'Two-Point-Six'.

RELAY

Part No.	33177A	33204A	33217A/B
Model	2RA	2RA	2RA
Voltage	12	12	12
Detailed Parts			
Cover	54380028	54380028	54380028
§Fuse, 25 amp.	188216	188216	188216
§Screw, terminal	132464	132464	—
§Washer, terminal screw	185000	185000	—

SWITCH, Centrifugal

Part No.	76112A/D	76113A/D	76122A
Model	OCSI	OSCI	OCSI

SWITCH, Kick-down

Part No.	†31597A/B	31632A/B
Model	34SA	34SA
Replaced by (see footnote)	(31632)	—
Detailed Parts		
Screw, terminal, 4 B.A.	108084	108084
Washer, terminal screw	188454	188454
Nut, fixing	—	183919
Washer, fixing nut	—	185171
Part No.	34261A/B	34291A
Model	34SA	34SA
Replaced by (see footnote)	—	—
Detailed Parts		
Screw, terminal, 4 B.A.	—	108084
Washer, terminal screw	—	188454
Nut, fixing	183919	183919
Washer, fixing nut	185171	185171

Note. For replacement spare parts, see appropriate column under part number
§ Recommended spares for stock

† When ordering, quote part number shown in brackets

continued



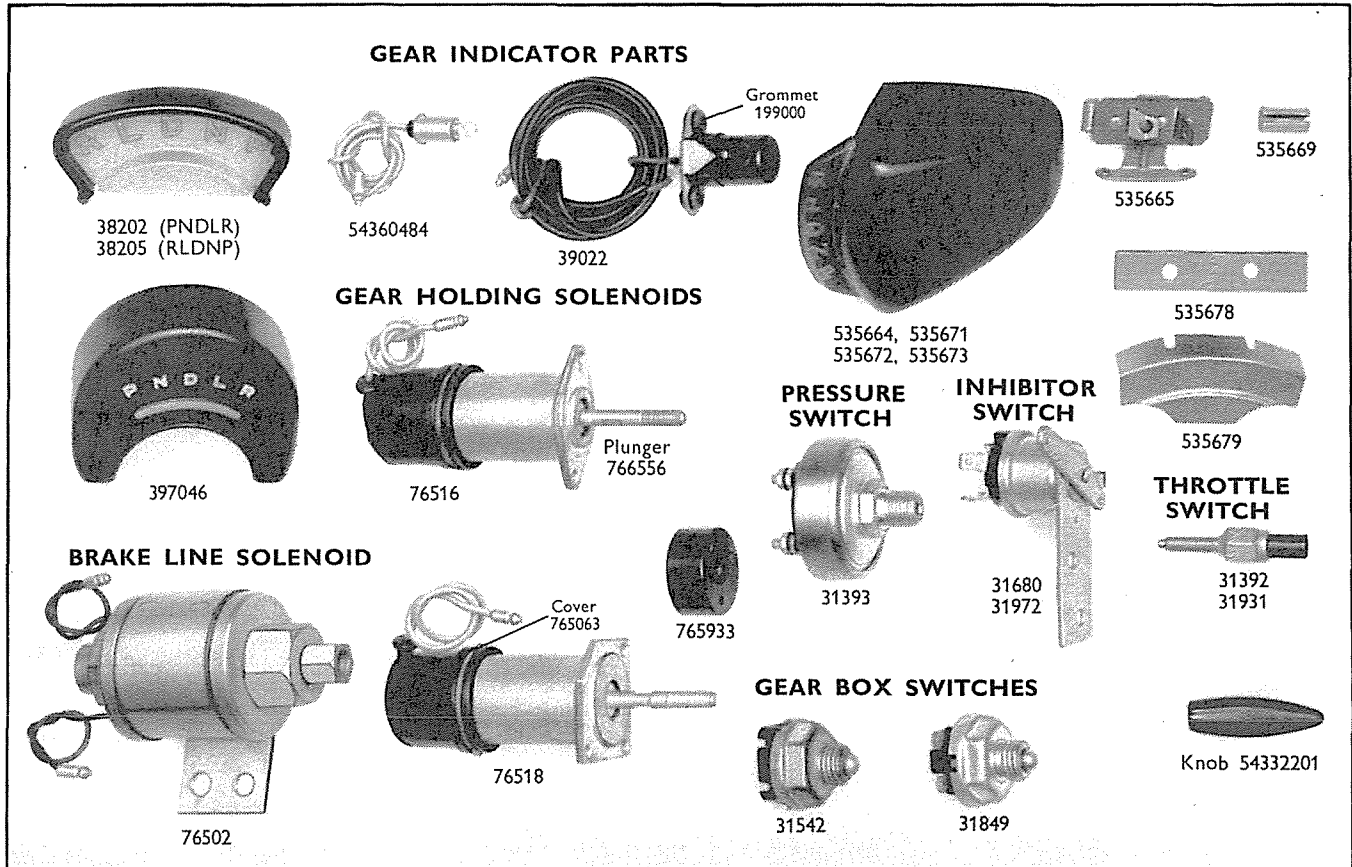
AUTOMATIC TRANSMISSION AND OVERDRIVE EQUIPMENT

Electrical Equipment for BORG WARNER AUTOMATIC TRANSMISSION

Fitted to:

Alvis TD21.
Austin A99, A105, A135 'Princess', B.M.C. 3 litre 'Princess, Ambulance and Hearse Chassis.
Bentley 4½ litre Mk. VII, 'Continental' Sports, Model 'S' and Sports Saloon.
Daimler 'Conquest' ('Century') Saloon, 3½ litre, 'One-O-Four' Saloon and 4½ litre Limousine.

Jaguar Mk. VII, Mk. VIII, Mk. IX, 2.4, 3.4 and 3.8 litre Models.
Lanchester 'Sprite'.
Morris 'Isis'.
Riley 'Pathfinder' and 'Two-Point-Six'
Wolseley 'Six Ninety'.



GEAR INDICATOR LAMPS, QUADRANTS AND COVER

Part No.	38202A/D	38205A/B	39022E	56066A	56067A	56068A	56069A	397046
Model	4WL	4WL	BWL	605	605	605	605	—
Detailed Parts								
§Cover	—	—	—	535664	535671	535672	535673	—
Screw, bulb holder fixing	—	—	—	120425	120425	120425	120425	—
§Bulb holder	54360484	54360484	—	535665	535665	535665	535665	—
Insulation strip	—	—	—	535678	535678	535678	535678	—
Bulb shield	—	—	—	535669	535669	535669	535669	—
Light shield	—	—	—	535679	535679	535679	535679	—
Grommet, fixing	—	—	199000	—	—	—	—	—
§Bulb	281	281	987	261	261	261	261	—

AUTOMATIC TRANSMISSION AND OVERDRIVE EQUIPMENT



BORG WARNER AUTOMATIC TRANSMISSION EQUIPMENT—continued

SOLENOID, Brake Line Valve or Gear Holding

Part No.	†76459A/E	76502A/F	76516B	76518A/D
Model	8S	BVSI	11S	11S
Replaced by (see footnote) . .	(76518)	—	—	—
Detailed Parts				
Cover, contact	765933	—	765933	765933
Cover, rubber	765932	—	765063	765063
Plunger	765931	—	766556	766556

SWITCH, Hydraulic Pressure

Part No.	31393A
Model	HPS1
Detailed Parts	
§Nut, terminal	165033
§Washer, terminal nut	188454

STARTING MOTOR

Part No.	†26085A	26097B/D
Model	M45G	M45G
Replaced by (see footnote)	(26097)	—

For detailed spare parts, see page N20

SWITCH, Throttle

Part No.	31392A	31931A
Model	TOS1	TOS1

SWITCH, Inhibitor

Part No.	31680A	31972A
Model	55SA	55SA

KNOB, Gear Selector

Part No.	54332201
------------------	----------

SWITCH, Interrupter, Cutout, Solenoid Circuit Breaker or Safety

Part No.	†31077A/E	31542A	†31824A	31849A
Model	SS10	SS10	SS10	SS10
Replaced by (see footnote) . .	(31542)	—	(31849)	—
Detailed Parts				
§Screw, terminal	120560	120560	—	—

Note. For replacement spare parts, see appropriate column under part number
§ Recommended spares for stock

† When ordering, quote part number shown in brackets



AUTOMATIC TRANSMISSION AND OVERDRIVE EQUIPMENT

Electrical Equipment for LAYCOCK DE NORMANVILLE OVERDRIVE

Fitted to:

Armstrong Siddeley 'Sapphire 234' and 'Sapphire 236'.
Aston Martin DB Mk. III.
Austin-Healey '100', '100M' and '100 Six' (BN4 and BN6).
Bristol '405' and '406'.
Humber 'Hawk' and 'Super Snipe' (optional).
Jaguar Mk. VII, Mk. VIII, Mk. IX, 2.4, 3.4 and 3.8 litre Models, XK140 and XK150.

Jensen 4 litre 'Interceptor' (special orders), '541' and '541R'.
Jowett 'Jupiter' Sports.
Rover '60', '75', '80', '90', '100', '105' and 3 litre.
Simca 'Aronde' and 'Vedette'.
Singer 'Gazelle'.
Standard All Models (optional).
Sunbeam 'Alpine' and 'Rapier'.
Triumph TR2 and TR3.
Vauxhall 'Velox' and 'Cresta'.

SWITCH, Isolator, Interrupter, Inhibitor or Gear Lever

Part No.	†31077A/E SS10 (31542)	31478A/B SS10 —	31504A/D 12SA —	31542A SS10 —	†31824A SS10 (31849)	31849A SS10 —
Model						
Replaced by (see footnote)						
Detailed Parts						
§Screw, terminal	120560	120560	—	120560	—	—
‡Cover	—	303046	—	765373	—	—

FUSE BOXES

Part No.	†37131A SF5-2 (37260)	37260A SF5-2 —
Model		
Replaced by (see footnote)		
Detailed Parts		
§Cover	385173	385173
§Clip, cover fixing	385174	385174
§Fuse, 35 amp.	188218	—
§Screw, grub, terminal	121610	121610

SWITCH, Centrifugal

Part No.	31831A/D 64SA	76102A OCS1	76108A/E OCS1
Model			

SWITCH, Vacuum

Part No.	31832A 60SA
Model	

SOLENOIDS

Part No.	†76500A/E	†76505A/B	†76506A/B	†76507A	†76510A/D	76514A	76515A/B	76516A/B	†76517A/B	76522A
Model	TGS1	TGS1	TGS1	TGS1	TGS1	11S	11S	11S	11S	11S
Voltage	12	12	12	12	12	12	12	12	12	12
Replaced by (see footnote)	(76514)	(76515)	(76516)	(76515)	(76515)	—	—	—	(76515)	—
Detailed Parts										
Cover, contact	765933	765933	765933	765933	765933	765933	765933	765933	765933	765933
Cover, rubber	765063	765063	765063	765063	765063	765063	765063	765063	765063	765063
Plunger	765024	765047	765060	765047	765047	766554	766555	766556	766555	54640254
Boot, rubber, plunger	—	765046	—	—	765046	—	765046	—	—	765046

SWITCH, Control or Operating

Part No.	31201D PS7-1	31356A/B PS6	†31368A/B PS6 (31356)	†31419A PS7 (31434)	31434B PS7	31452A 2TS	31483A/D MS6	†31485A 9 (031648)
Model								
Replaced by (see footnote)	—	—	(31356)	(31434)	—	—	—	(031648)
Detailed Parts								
Nut, fixing, front	314017	180670	180670	314017	317543	—	—	—
Nut, fixing, rear	180093	—	—	180093	180093	—	132504	—
Washer, flat, fixing nut	—	158350	158350	—	—	—	185012	—
Washer, spring, fixing nut	185081	185188	185188	185081	185081	—	—	—
Screw, cover fixing	—	—	—	—	—	—	106734	135904
Screw, cover fixing	—	—	—	—	—	—	—	135564
Body and lever	—	—	—	—	—	—	—	380488
§ Screw, terminal	120560	121610	121610	120560	120560	—	124300	120610
Grommet	—	—	—	—	—	—	359790	—

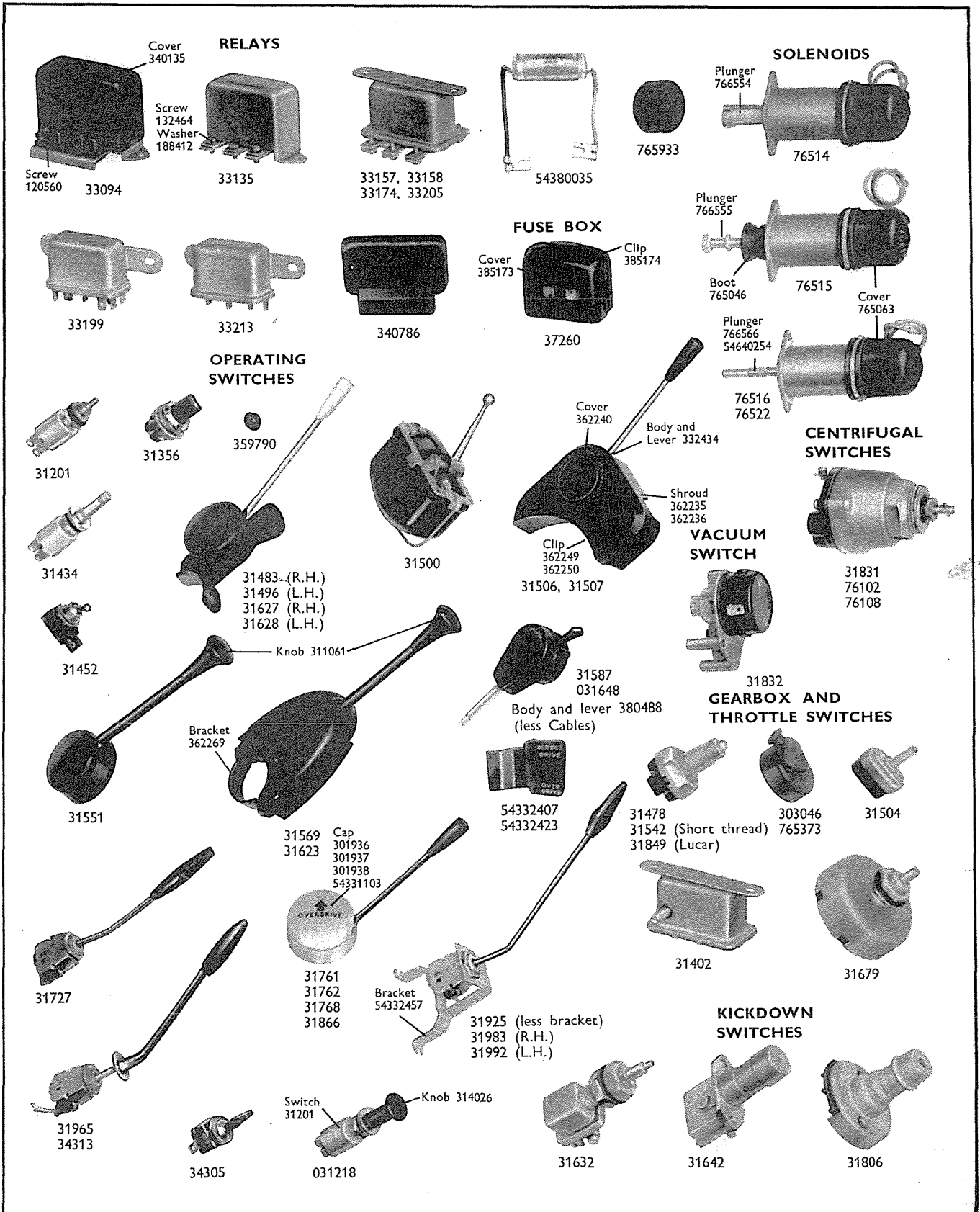
For illustrations, see page S7

Note. For replacement spare parts, see appropriate column under part number
‡ Order separately § Recommended spares for stock ¶ Screw, earth

† When ordering, quote part number shown in brackets

continued

AUTOMATIC TRANSMISSION AND OVERDRIVE EQUIPMENT



For detailed spare parts, see pages S6 and S8



AUTOMATIC TRANSMISSION AND OVERDRIVE EQUIPMENT

LAYCOCK DE NORMANVILLE OVERDRIVE—continued

SWITCH, Control or Operating—continued

Part No.	31496A/D	31500A/D	31506A	31507A	31551A	31569A/E	†31572A	31587A
Model	MS6	11SA	MS6	MS6	MS6	MS6	9	9
Replaced by (see footnote)	—	—	—	—	—	—	(380488)	—
Body and lever	—	—	332434	332434	—	—	380488	380488
§ Screw, terminal	124300	—	—	—	124300	124300	120610	120610
Screw, base and cap fixing	106734	—	—	—	106734	136025	—	‡135904
§Washer, base fixing screw	185012	—	—	—	185012	—	—	‡135564
Grommet	359790	—	—	—	—	—	—	—
Screw, earth	132504	—	—	—	—	—	—	—
Cover	—	—	362240	362240	—	—	—	—
Shroud, switch	—	—	362235	362236	—	—	—	—
Clip, support plate	—	—	362250	362249	—	—	—	—
Knob	—	—	—	—	311061	311061	—	—
Bracket and clip, fixing	—	—	—	—	—	362269	—	—

SWITCH, Control or Operating—continued

Part No.	31623B	31627A	31628A	31727A/J	31761A	31762A	31768A/B	31866A
Model	MS6	MS6	MS6	52SA	MS6	MS6	MS6	MS6
Replaced by (see footnote)	—	—	—	—	—	—	—	—
Knob	311061	—	—	—	—	—	—	—
Screw, base and cap fixing	136025	106734	106734	—	106734	106734	106734	106734
§Washer, base fixing screw	—	185012	185012	—	—	—	—	—
§Screw, terminal	124300	124300	124300	—	124300	124300	124300	124300
Bracket and clip, fixing	362269	—	—	—	—	—	—	—
Grommet	—	359790	359790	—	—	—	—	—
Screw, earth	—	132504	132504	—	—	—	—	—
Nut, fixing	—	—	—	153601	—	—	—	—
Cap	—	—	—	—	301936	301937	301938	54331103
Cover	340786	—	—	—	—	—	—	—

SWITCH, Control or Operating—continued

Part No.	31925A/D	31965B	31983A	31992A	34305A	34313A	031218	031648
Model	52SA	52SA	52SA	52SA	65SA	52SA	PS7-1	9RW
Replaced by (see footnote)	—	—	—	—	—	—	—	—
§Switch	—	—	—	—	—	—	31201	—
Nut, fixing, front	153601	153601	153630	153630	153601	153630	314017	—
Nut, fixing, rear	—	—	—	—	—	—	180093	—
Washer, spring, fixing nut	—	—	—	—	—	—	185081	—
Body and lever	—	—	—	—	—	—	—	380488
§ Screw, terminal	—	—	—	—	—	—	120560	120610
§Knob	—	—	—	—	—	—	314026	—
Bracket, fixing	—	—	54332457	54332457	—	—	—	—
Screw, cover fixing	—	—	—	—	—	—	—	135904
Screw, cover fixing	—	—	—	—	—	—	—	135564
Position indicator	—	—	54332407	54332423	—	—	—	—

SWITCH, Kick-down

Part No.	31632B	31642A/B	31806A/D
Model	34SA	FS32	21SA
Nut, fixing	183919	—	—
Washer, fixing nut	185171	—	—
§Screw, terminal	108084	132464	—
§Washer, terminal screw	188454	185000	—

SWITCH, Rotary Throttle

Part No.	31402A/B	31504A/D	31679A
Model	RTS1	12SA	48SA
§Screw, terminal	132464	—	—
§Washer, terminal screw	185000	—	—
Screw, terminal plate fixing	—	—	110714

RELAYS

Part No.	33094A	33135B	33157A/D	33158A/B	33174A/B	33199B	33205A	33213A/B
Model	L1R	SB40-1	SB40-1	SB60	SB60	6RA	SB60	6RA
Voltage	12	12	12	12	12	12	12	12
Cover	340135	—	—	—	—	—	—	340786
§Screw, terminal	120560	132464	132464	132464	132464	—	132464	—
§Washer, terminal screw	—	188412	188412	188412	188412	—	188412	—
Capacitor	—	—	—	—	—	—	54380035	—

For illustrations, see page S7

Note. For replacement spare parts, see appropriate column under part number † When ordering, quote part number shown in brackets
 ‡ Screw, cover fixing § Recommended spares for stock || Order separately