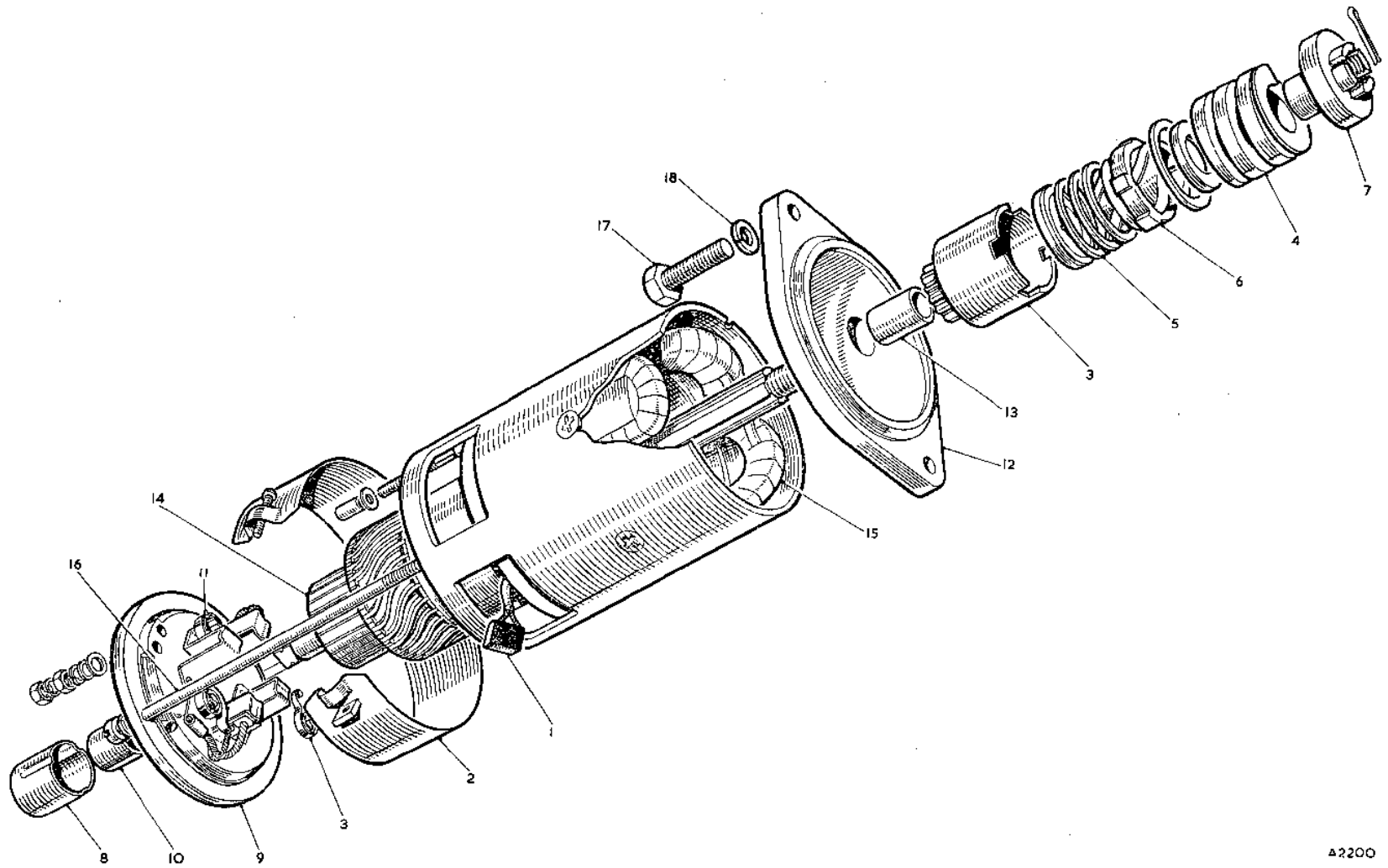


SERVICE PARTS LIST

THE M.G. Series MGA 1500

Item No.	DESCRIPTION	Commencing (C) 10101		Qty. per Vehicle		Unit of Issue	Type of Vehicle	MODIFICATIONS			REMARKS
		Part Number	Illus. No.	RHD	LHD			New Part Number	Change Point	Amdt. No.	
ELECTRICAL EQUIPMENT											
BATTERY											
1	Battery—wet	N.S.P.	N1	2	2						
2	Terminal screw	2K8645	N2	2	2						
3	Clamp for battery	AHH5166	N3	2	2						
4	Packing for battery clamp	AHH5169	N4	2	2						
5	Bolt for battery fixing (long)	AHH5167	N5	2	2						
6	Bolt for battery fixing (short)	AHH5168	N6	2	2						
7	Locknuts for battery fixing bolts	FNZ204	N7	8	8						
8	Battery pad (rubber)	AHH5170	N8	4	4						
9	Battery cover	BHA4140		2	2						
10	Cap nut—cover	BHA4147		4	4						
11	Bolt—battery (long)	AHH5964		2	2						
12	Bolt—battery (short)	AHH5963		2	2						
13	Nut for bolt	AJD8104Z		4	4						Optional extra
DYNAMO											
14	Dynamo	11G220		1	1						
15	Key for pulley	WKN404	N9	1	1						
16	Nut for pulley	FNZ207	N10	1	1	12					
17	Washer for nut (spring)	LWZ207	N11	1	1						
18	Band cover	7H5027	N12	1	1						
19	Brush	7H5028	N13	1 set	1 set	1					
20	Bracket—commutator end	7H5387	N14	1	1						
21	Bush for bracket	7H5390	N15	1	1						
22	Oiler	17H5530	N16	1	1						
23	Spring—brush tension	7H5031	N17	1 set	1 set	1					
24	Bracket—driving end	7H5388	N18	1	1						
25	Bush for bracket—driving end	97H626	N19	1	1						
26	Armature	7H5889	N20	1	1						
27	Field coils	7H5071	N21	1 set	1 set	1					
28	Bolt—end cover	17H5217	N22	2	2						
29	Sundry parts	7H5876		1 set	1 set	1					

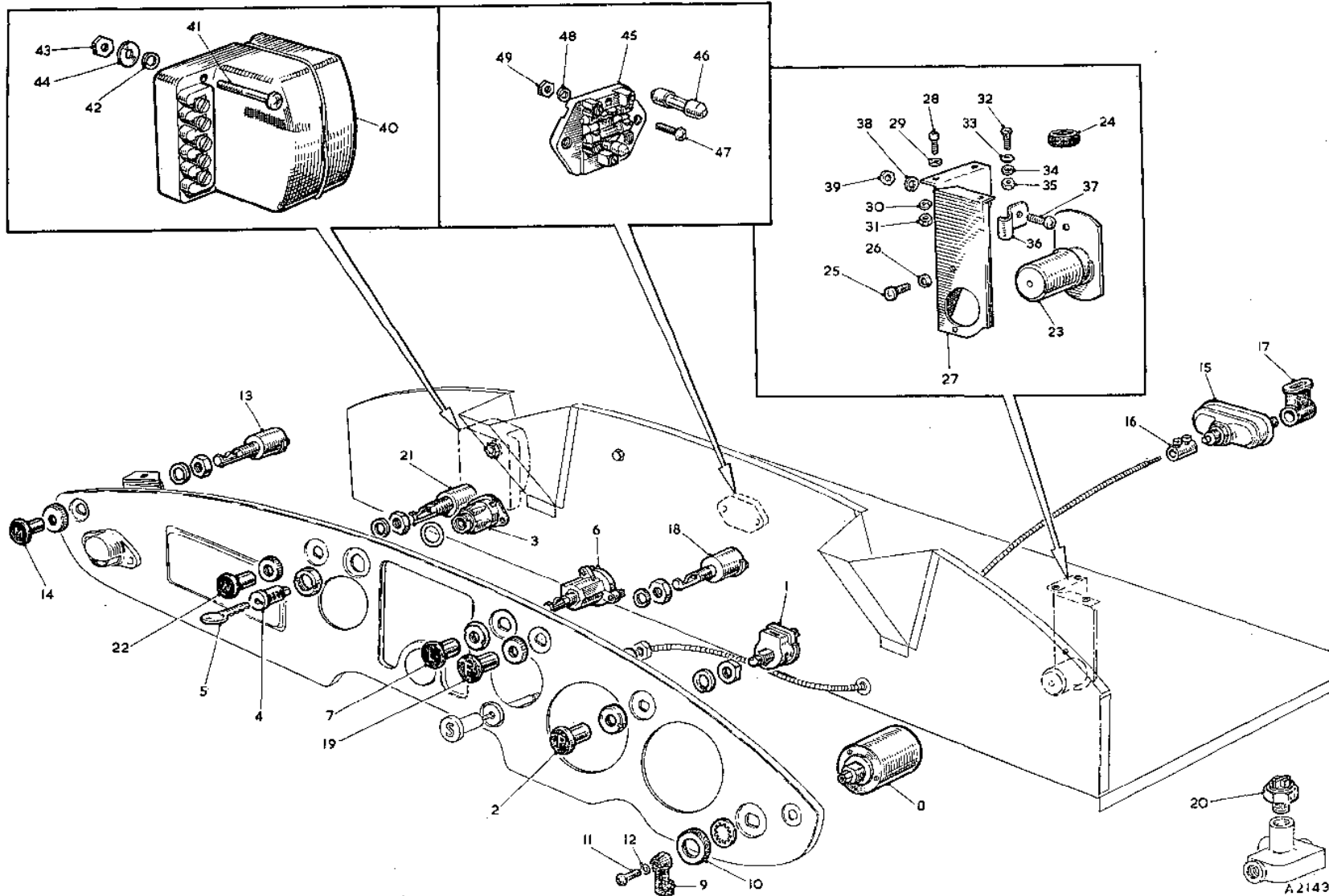


A2200

SERVICE PARTS LIST

THE M.G. Series MGA 1500

Item No.	DESCRIPTION	Commencing (C) 10101		Qty. per Vehicle		Unit of Issue	Type of Vehicle	MODIFICATIONS			REMARKS
		Part Number	Illus. No.	RHD	LHD			New Part Number	Change Point	Amdt. No.	
	STARTER										
1	Starter	3H952		1	1						
2	Brush	7H5040	NA1	1 set	1 set	1					
3	Band—cover	7H5038	NA2	1	1						
4	Pinion and barrel	7H5046	NA3	1	1						
5	Spring—pinion main	7H5045	NA4	1	1						
6	Spring—pinion return	7H5047	NA5	1	1						
7	Sleeve—screwed (with control nut)	7H5329	NA6	1	1						
8	Nut for shaft	7H5044	NA7	1	1						
9	Cap for shaft	7H5039	NA8	1	1						
10	Bracket—commutator end	7H5041	NA9	1	1						
11	Bush—commutator end	7H5042	NA10	1	1						
12	Spring—brush tension	7H5043	NA11	1 set	1 set	1					
13	Bracket—driving end	7H5048	NA12	1	1						
14	Bush—driving end	7H5040	NA13	1	1						
15	Armature	7H5050	NA14	1	1						
16	Field coils	7H5031	NA15	1 set	1 set	1					
17	Bolt for end covers	17H5444	NA16	2	2						
18	Sundry parts	7H5158		1 set	1 set	1					
19	Screw for starter to mounting plate	HBZ0613	NA17	2	2			58K149	Com. (C) 117881		
20	Washer for screw (spring)	LWN206	NA18	2	2						



A 2143

SERVICE PARTS LIST

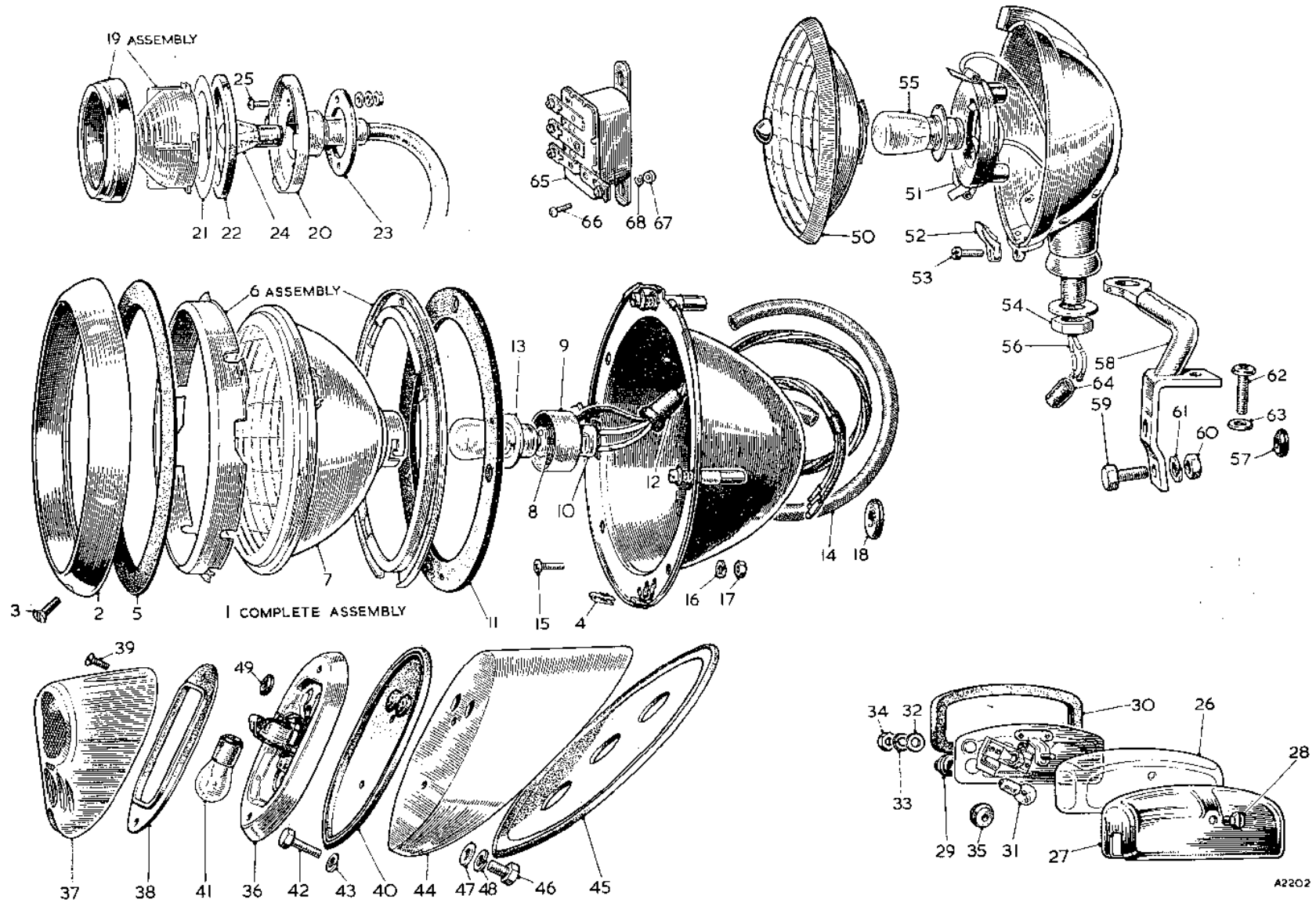
THE M.G. Series MGA 1500

Item No.	DESCRIPTION	Commencing (C) 10101		Qty. per Vehicle		Unit of Issue	Type of Vehicle	MODIFICATIONS			REMARKS
		Part Number	Illus. No.	RHD	LHD			New Part Number	Change Point	Amdt. No.	
	SWITCHES										
1	Switch—panel light	47H5188	NB1	1	1						
2	Knob for switch	AHH5368	NB2	1	1						
3	Switch—ignition	AHH5369	NB3	1	1						
4	Lock and key—ignition switch	7H9880	NB4	1	1						
5	Key	ANK4646	NB5	2	2						
6	Switch—headlamp and sidelamp	3H3098	NB6	1	1						
7	Knob for switch	AHH5360	NB7	1	1						
8	Switch—flasher	AMK5607	NB8	1	1						
9	Lever for switch	27H5511	NB9	1	1						
10	Nut fixing flasher switch (knurled)	17H5485	NB10	1	1						
11	Screw fixing lever	17H5483	NB11	1	1						
12	Washer for screw (spring)	17H5484	NB12	1	1						
13	Switch—map-reading lamp	27H5278	NB13	1	1						
14	Knob for switch	AHH5362	NB14	1	1						
15	Switch—starter	3H949	NB15	1	1						
16	Coupling—switch to control	3H950	NB16	1	1						
17	Bootee for terminal	8G548	NB17	2	2						
18	Switch—fog lamp	27H5278	NB18	1	1						
19	Knob for switch	AHH5366	NB19	1	1						
20	Switch—stop lamp	3H1894	NB20	1	1						
21	Switch—windscreen wiper	27H5278	NB21	1	1						
22	Knob for switch	AHH5364	NB22	1	1						
23	Switch—dipper	11G2007	NB23	1	1						
24	Grommet for bulkhead—dipper switch cable	ACB8474	NB24	1	1						
25	Screw fixing dipper switch to bracket	AJD1243Z	NB25	2	2						
26	Washer for screw (spring)	LWZ203	NB26	2	2						
27	Bracket for dipper switch	AHH5347	NB27	1	1						
28	Screw—bracket to bulkhead	PMZ0308	NB28	1	1						
29	Washer for screw (plain)	AJD7202	NB29	1	1						
30	Washer for screw (spring)	LWZ203	NB30	1	1						
31	Nut for screw	FNZ103	NB31	1	1						
32	Screw—bracket to bulkhead	CMZ0308	NB32	2	2						
33	Washer for screw (cup)	7722	NB33	2	2						
34	Washer for screw (spring)	LWZ203	NB34	2	2						
35	Nut for screw	FNZ103	NB35	2	2						
36	Clip—dipper switch cable to bracket	CHR0507	NB36	1	1						
37	Screw for clip to bracket	PMZ0307	NB37	1	1						
38	Washer for screw (spring)	LWZ203	NB38	1	1						
39	Nut for screw	FNZ103	NB39	1	1						

SERVICE PARTS LIST

THE M.G. Series MGA 1500

Item No.	DESCRIPTION	Commencing (C) 10101		Qty. per Vehicle		Unit of Issue	Type of Vehicle	MODIFICATIONS			REMARKS
		Part Number	Illus. No.	RHD	LHD			New Part Number	Change Point	Amdt. No.	
	Switches—continued										
1	Box—control	3H1835	NB40	1	1						
2	Screw for control box to dash	PMZ0820	NB41	2	2						
3	Washer for screw (spring)	LWZ203	NB42	2	2						
4	Nut for screw—control box to dash	FNZ103	NB43	2	2						
5	Washer—special	AJD7812	NB44	2	2						
6	Box—fuse	1G2613	NB45	1	1						
7	Fuse—35-amp.	7H5067	NB46	4	4						
8	Screw for fusebox to dash	PMZ0810	NB47	2	2						
9	Washer for screw (spring)	LWZ203	NB48	2	2						
10	Nut for screw—fusebox to dash	FNZ103	NB49	2	2						
11	Switch—headlamp flasher	(N. AMERICA) BHA4116			1						} Optional extras
12	Relay—headlamp flasher	(N. AMERICA) 3H1911			1						
13	Screw fixing relay	PMZ0808			2						
14	Nut for screw	FNZ103			2						
15	Washer for nut (spring)	LWZ203			2						



A2202

SERVICE PARTS LIST

THE M.G. Series MGA 1500

Item No.	DESCRIPTION	Commencing (C) 10101		Qty. per Vehicle		Unit of Issue	Type of Vehicle	MODIFICATIONS			REMARKS
		Part Number	Illus. No.	RHD	LHD			New Part Number	Change Point	Amdt. No.	
	LAMPS (ROAD)										
1	Headlamp—left dip	47H5365	NC1	2							Except Europe Except Europe and France
2	Headlamp—right dip (Not U.K.)	17H5543			2						
3	Headlamp—vertical dip (Not U.K.)	3H2520		2	2			BCA4302	Com. (C) 58918		Europe except France
4	Headlamp (less bulb) (FRANCE)	17H5330							Fin. (C) 60339		
5	Headlamp (FRANCE)							BCA4303	Com. (C) 60340		
6	Rim assembly	17H5147	NC2	2	2						
7	Screw—rim fixing	17H5144	NC8	2	2			AJA5081	Com. (C) 58918		
8	Nut for screw		NC4	2	2			27H5354			
9	Excluder—dust	3H2962	NC5	2	2						
10	Rim and base assembly (inner)	17H5205	NC6	2	2						
11	Light unit—left dip	7H5483	NC7	2							
12	Light unit—right dip	17H5375			2						
13	Light unit—vertical dip	7H5485		2	2			47H5124	Com. (C) 58918		
14	Spring—bulb retaining		NC8	2	2			47H5125			
15	Light unit (FRANCE)	7H5486			2			47H5124	Com. (C) 60340		
16	Spring—bulb retaining				2			47H5125			
17	Back-shell assembly (FRANCE)	17H5146			2						
18	Bulb holder (FRANCE)	7H5002			2				Fin. (C) 60339		
19	Sleeve—terminal (FRANCE)	7H5582			6						
20	Bulb holder	17H5306	NC9	2	2						
21	Sleeve—terminal	7H5582	NC10	6	6						
22	Adaptor (complete with cables) (N. AMERICA)	17H5244			2						
23	Adaptor—conversion (N. AMERICA)	17H5546			2						
24	Adaptor with cable				2			47H5126	Com. (C) 58918		
25	Sleeve—terminal				6			7H5582			
26	Gasket—rubber	3H1081	NC11	2	2						
27	Sleeve—sealing	27H5253	NC12	6	6						
28	Bulb—left dip	13H140	NC13	2							
29	Bulb—right dip	3H1893			2						
30	Bulb—vertical dip	3H921		2	2			13H138	Com. (C) 58918		
31	Bulb—yellow				2			13H139		Com. (C) 60340	
32	P.V.C. tubing for headlamp leads	ACH5701	NC14	2	2						
33	Screw for headlamp to wing	PMZ0310	NC15	8	8						
34	Washer for screw (spring)	LWZ203	NC16	8	8						
35	Nut for screw—headlamp to wing	FNZ103	NC17	8	8						
36	Grommet for headlamp cables through front panel and radiator support										
		RFR110	NC18	3	3						
37	Sidelamp (flasher)	ACC5292		2	2						
38	Rim and glass	17H5428	NC19	2	2						
39	Body	AJH5151	NC20	2	2						
40	Washer (plastic)—sliding ring	17H5305	NC21	2	2						
41	Washer (rubber)—seating	17H5308	NC22	2	2						
42	Washer for lamp to wing	17H5309	NC23	2	2						
43	Bulb	1F9026	NC24	2	2						
44	Screw for lamp to wing	PMZ0206	NC25	6	6						

SERVICE PARTS LIST

THE M.G. Series MGA 1500

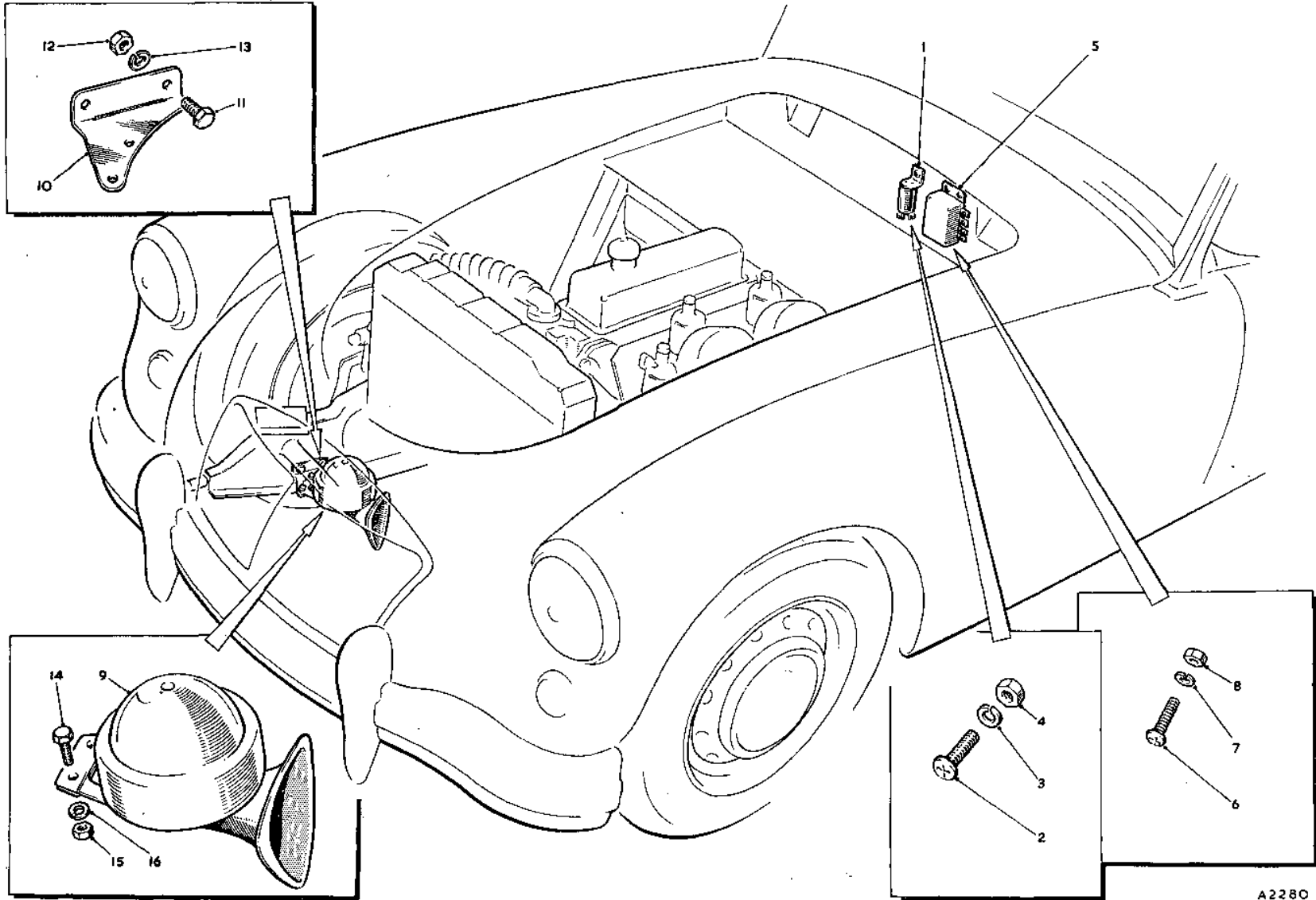
Item No.	DESCRIPTION	Commencing (C) 10101		Qty. per Vehicle		Unit of Issue	Type of Vehicle	MODIFICATIONS			REMARKS
		Part Number	Illus. No.	RHD	LHD			New Part Number	Change Point	Amdt. No.	
	Lamps (Road)—continued										
1	Number-plate lamp	3H1813		1	1						
2	Window	7H5121	NC26	1	1						
3	Cover	7H5185	NC27	1	1						
4	Sundry parts	7H5123	NC28	1 set	1 set	1					
5	Grommet	7H5164	NC29	1	1						
6	Joint	7H5122	NC30	1	1						
7	Bulb	2H4817	NC31	1	1						
8	Washer—plain	PWZ108	NC32	2	2						
9	Washer—spring	LWZ203	NC33	2	2						
10	Nut	AJD8012Z	NC34	2	2						
11	Grommet for number-plate lamp cable	RFR104	NC35	1	1						
12	Tail lamp (flasher)	13H23		2	2						
13	Rim	AJA5072	NC36	2	2						
14	Glass	AJA5069	NC37	2	2						
15	Seating rubber	AJA5071	NC38	2	2						
16	Screw	AJA5070	NC39	4	4						
17	Seating rubber for lamp	AJA5073	NC40	2	2						
18	Bulb	1F9026	NC41	2	2						
19	Screw for tail lamp to plinth	PMZ0308	NC42	4	4						
20	Washer for screw (spring)	LWZ203	NC43	4	4						
21	Plinth for tail lamp—R/H (primed)	AHH5393	NC44	1	1						
22	Plinth for tail lamp—L/H (primed)	AHH5393		1	1						
23	Seal for tail lamp plinth	AHH5505	NC45	2	2						
24	Seal for tail lamp plinth	AHH5505	NC45	2	2						
25	Screw for plinth to rear wing	HZS0405	NC46	4	4						
26	Washer for screw (plain)	PWZ204	NC47	4	4						
27	Washer for screw (spring)	LWZ204	NC48	4	4						
28	Grommet for tail lamp cables	RFR104	NC49	2	2						
29	Fog lamp	ADH785		2	2						
30	Light unit	ACG5179	NC50	2	2						
31	Adaptor assembly	ACG5180	NC51	2	2						
32	Catch—rim	AJH5057	NC52	2	2						
33	Screw—catch	17H5400	NC53	2	2						
34	Nut—lamp spigot	17H5401	NC54	2	2						
35	Bulb	1F9034	NC55	2	2						
36	Lead—fog lamp (3' 9")	AHH5454	NC56	2	2						
37	Lead—fog lamp (1' 3")	AHH5541		2	2						
38	Grommet—fog lamp lead	RFR103	NC57	4	4						

Optional extras

SERVICE PARTS LIST

THE M.G. Series MGA 1500

Item No.	DESCRIPTION	Commencing (C) 10101		Qty. per Vehicle		Unit of Issue	Type of Vehicle	MODIFICATIONS			REMARKS
		Part Number	Illus. No.	RHD	LHD			New Part Number	Change Point	Amdt. No.	
	Lamps (Road)—continued										
1	Bracket—R/H fog lamp	AHH5521	NC58	1	1] Optional extras
2	Bracket—L/H fog lamp	AHH5520		1	1						
3	Screw—bracket to bumper blade (lower)	HZS0506	NC59	2	2						
4	Nut for screw	FNZ105	NC80	2	2						
5	Washer for nut (spring)	LWZ205	NC61	2	2	24					
6	Screw—bracket to bumper blade (top)	PMP0518	NC62	2	2						
7	Washer for screw (plain)	PWP105	NC63	2	2						
8	Connector	2H2617	NC64	3	3						
9	Relay—fog lamp	(N. AMERICA)	NC65		1			BHA4076			
10	Harness—fog lamp relay	(N. AMERICA)			1			AHH5758			
11	Screw—relay to bulkhead		NC66		2			PMZ0308	Com. (C) 55633		
12	Nut for screw		NC67		2			FNZ103			
13	Washer for nut (spring)		NC68		2			LWZ203			



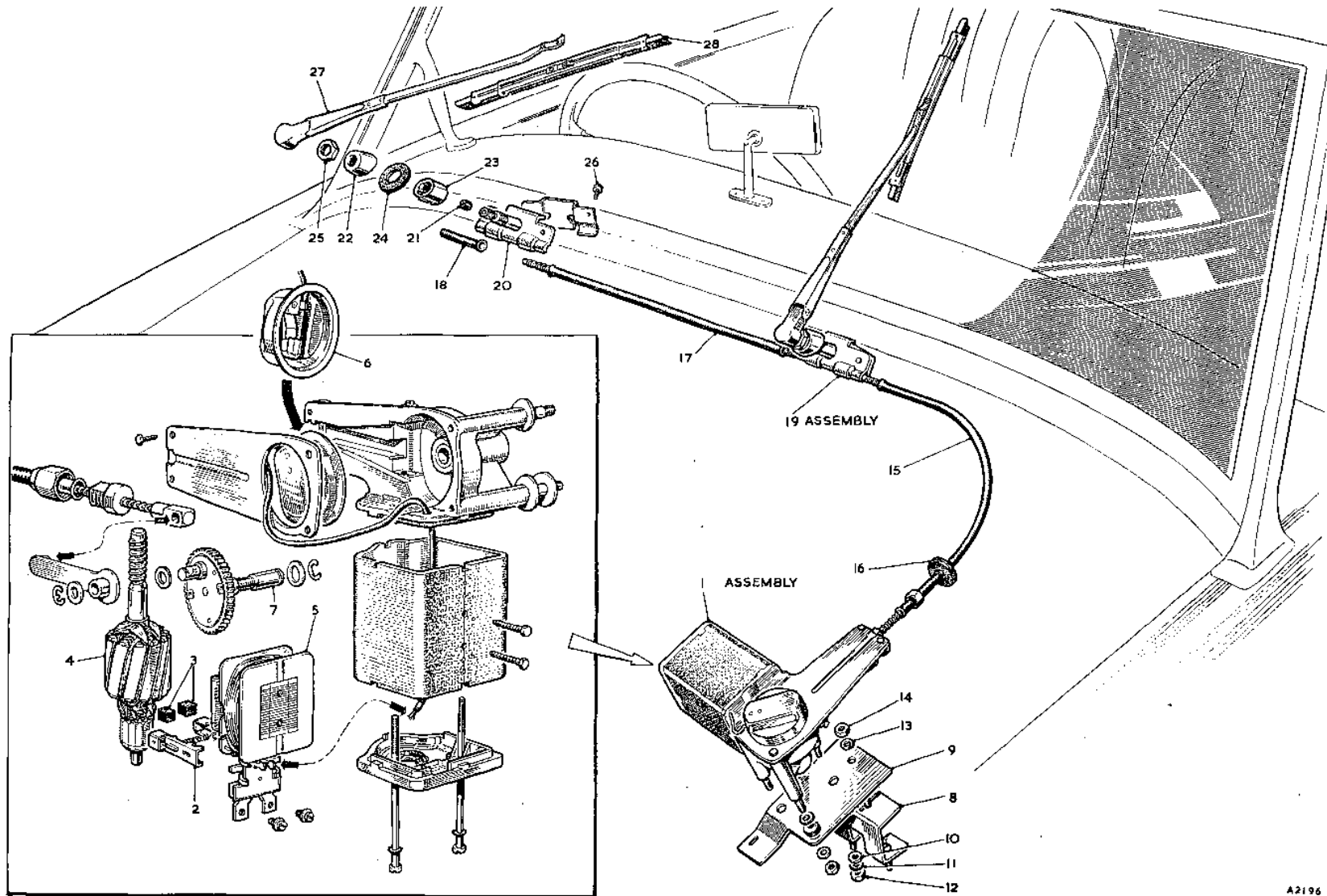
A2280

SERVICE PARTS LIST

THE M.G. Series MGA 1500

Item No.	DESCRIPTION	Commencing (C) 10101		Qty. per Vehicle		Unit of Issue	Type of Vehicle	MODIFICATIONS			REMARKS
		Part Number	Illus. No.	RHD	LHD			New Part Number	Change Point	Amdt. No.	
	FLASHER—HORN										
1	Flasher unit	11G9093	ND1	1	1						
2	Screw for flasher unit to dash	PMZ0508	ND2	2	2						
3	Washer for screw (spring)	LWZ205	ND3	2	2	24					
4	Nut for screw—flasher unit to dash	FNZ105	ND4	2	2						
5	Unit—relay—flasher lights	3H1454	ND5	1	1						
6	Screw for relay unit to dash	PMZ0408	ND6	2	2						
7	Washer for screw (spring)	LWZ204	ND7	2	2						
8	Nut for screw—relay unit to dash	FNZ104	ND8	2	2						
9	Horn—low note	1B9007	ND9	1	1						
10	Bracket—horn	1B5448	ND10	1	1						
11	Screw—horn bracket to R/H front extension	HZS0505	ND11	2	2						
12	Nut for screw	FNZ105	ND12	2	2						
13	Washer for nut (spring)	LWZ205	ND13	2	2	24					
14	Screw—horn to bracket	HZS0407	ND14	2	2						
15	Nut for screw	FNZ104	ND15	2	2						
16	Washer for nut (spring)	LWZ204	ND16	2	2						
17	Grommet—horn	ADG1517		1	1						
18	Horn—high note	1B9008		1	1						
19	Bracket—L/H horn	1B5761		1	1						
20	Screw—horn bracket to L/H front extension	HZS0505		2	2						
21	Nut for screw	FNZ105		2	2						
22	Washer for nut (spring)	LWZ205		2	2	24					
23	Screw—horn to bracket	HZS0407		2	2						
24	Nut for screw	FNZ104		2	2						
25	Washer for nut (spring)	LWZ204		2	2						
26	Harness—horn	AHH5458		1	1						
27	Strap—horn harness	AHH5506		2	2						
28	Grommet—horn	ADG1517		1	1						

Optional extras



A2196

SERVICE PARTS LIST

THE M.G. Series MGA 1500

	DESCRIPTION	Commencing (C) 10101		Qty. per Vehicle		Unit of Issue	Type of Vehicle	MODIFICATIONS			REMARKS
		Part Number	Illus. No.	RHD	LHD			New Part Number	Change Point	Amdt. No.	
	WINDSCREEN WIPER										
1	Motor—wiper	37H5308	NE1	1	1						
2	Brush gear	17H5396	NE2	1 set	1 set	1					
3	Brushes	7H5130	NE3	1 set	1 set	1					
4	Armature	17H5255	NE4	1	1						
5	Field coils	17H5432	NE5	1 set	1 set	1					
6	Fixing parts	17H5431		1 set	1 set	1					
7	Switch—adjusting	17H5442	NE6	1	1						
8	Shaft and gear	37H5437	NE7	1	1						
9	Sundry parts	17H5441		1 set	1 set	1					
10	Bracket for wiper motor—lower	AHH5507	NE8	1	1						
11	Bracket for wiper motor—upper	AHH5508	NE9	1	1						
12	Washer for lower bracket (plain)	PWZ204	NE10	2	2						
13	Washer for lower bracket (spring)	LWZ203	NE11	2	2						
14	Nut for lower bracket to bulkhead	FNZ103	NE12	2	2						
15	Washer for upper bracket (spring)	LWZ204	NE13	1	1						
16	Nut for upper bracket to lower bracket	FNZ104	NE14	1	1						
17	Outer casing—wheelbox to motor	AHH5410	NE15	1	1						
18	Grommet	8D5768	NE16	1	1						
19	Outer casing—wheelbox to wheelbox	AHH5411	NE17	1	1						
20	Outer casing—short end	14G3722	NE18	1	1						
21	Wheelbox assembly	14B5588	NE19	2	2						
22	Spindle and gear	17H5388	NE20	2	2						
23	Tube for spindle (rubber)	17H5389	NE21	2	2						
24	Bush—front	ADB826	NE22	2	2						
25	Bush—rear	AHH5414	NE23	2	2						
26	Washer—rubber	ADC560	NE24	2	2						
27	Nut	185925	NE25	2	2						
28	Screw—cover	17H5390	NE26	4	4						
29	Cross-head and rack assembly	37H5169		1	1						
30	Arm—wiper	AHH5419	NE27	2	2			17H5513	Com. (C) 13612		
31	Arm—wiper	AHH5421						17H5514	Com. (C) 12800		
32	Blade—wiper	AHH5417	NE28	2	2			17H5512			

SERVICE PARTS LIST

THE M.G. Series MGA 1500

Item No.	DESCRIPTION	Commencing (C) 10101		Qty. per Vehicle		Unit of Issue	Type of Vehicle	MODIFICATIONS			REMARKS
		Part Number	Illus. No.	RHD	LHD			New Part Number	Change Point	Amdt. No.	
	CABLES AND CONNECTIONS										
1	Harness—main forward	37H5056		1	1						Prior to (C) 13473 supply also 1 of 37H5057 lead
2	Lead—flasher and headlamp—L/H			1	1			37H5057	Com. (C) 13473		
3	Harness—chassis	AHH5444		1	1						
4	Harness—panel	AHH5445		1	1						
5	Harness—tail lamp	AHH5446		1	1						
6	Cable—coil to distributor	AHH5447		1	1						
7	Cable—positive battery to earth	AHH5448		1	1						
8	Cable—negative battery to starter switch	AHH5449		1	1						
9	Link for battery—positive to negative	AHH5450		1	1						
10	Cable—starter switch to starter	AHH5451		1	1			BHA4133	Com. (C) 63435		
11	Strip—engine to earth	AHH5452		1	1						
12	Clip—main harness—dash to body bolt	PCR1011		1	1						
13	Clip—main harness to bulkhead	PCR1007		2	2						
14	Screw for main harness clip to bulkhead—short	PMZ0306		2	2						
15	Screw for main harness clip to bulkhead—long	PMZ0814		1	1						
16	Washer for screw (spring)	LWZ203		2	2						
17	Nut for main harness clip screw	FNZ103		2	2						
18	Clip—dash wiring loom (rubber)	ACH8979		2	2						
19	Clip—main harness to wing bolts	PCR0811		2	2						
20	Clip—cable to rear number-plate bracket	PCR0811		1	1						
21	Nut for clips to wing bolt	FNZ105		3	3						
22	Washer (spring)	LWZ205		3	3	24					
23	Clip—head and sidelamp cable to wing bolt	PCR0811		2	2						
24	Clip—headlamp cable to front panel	PCR0607		3	3						
25	Screw for clip to front panel	PMZ0808		3	3						
26	Washer for screw (spring)	LWZ203		3	3						
27	Nut for clip screw	FNZ103		3	3						
28	Clip for dynamo cable to starter cable (rubber)	ACH8979		1	1						
29	Cable—petrol pump to earth	ADH2611		1	1						
30	Nut for petrol pump to earth cable	FNZ104		1	1						
31	Washer (spring)	LWZ204		1	1						
32	Screw—battery earth cable	HZS0504		1	1						
33	Washer for screw (spring)	LWZ205		1	1	24					
34	Nut for earth cable screw	FNZ105		1	1						
35	Clip for negative cable to starter switch	PCR0709		1	1						
36	Locknut to ramp screw clip	FNZ204		1	1						
37	Washer for ramp screw	LWZ204		1	1						
38	Clip for tail lamp harness to side-member	PCR0407		2	2						
39	Screw for clip	PMZ0806		2	2						
40	Harness—headlamp flasher switch extension (N. AMERICA)	BHA4117			1						Optional extra