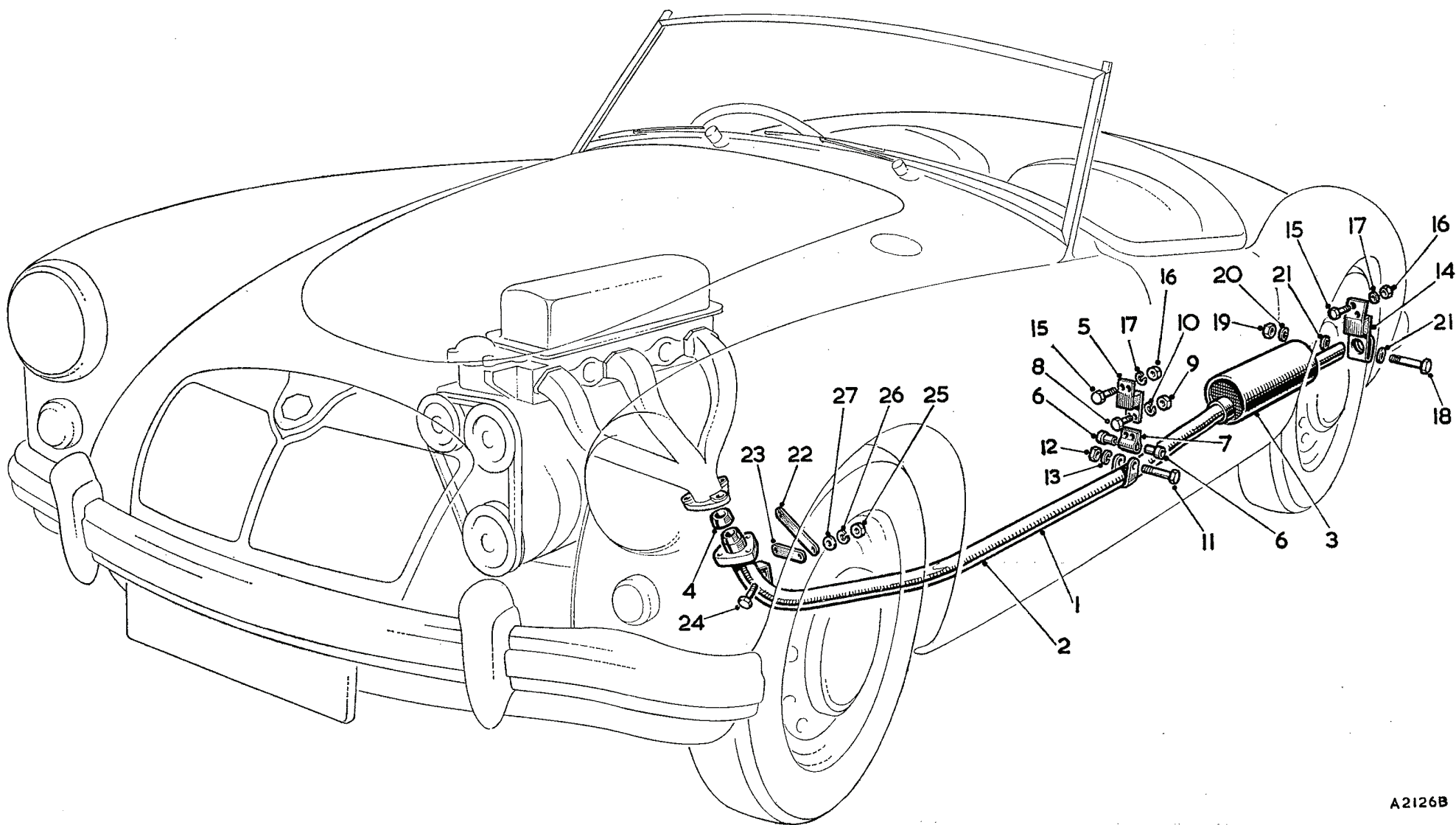


B1454

SERVICE PARTS LIST

THE MGA 1600

Item No.	DESCRIPTION	Commencing (C) 102737		Quantity	MODIFICATIONS		REMARKS
		Part Number	Illus. No.		New Part Number	Change Point	
	OIL COOLER (STANDARD EQUIPMENT—NOT U.K.)						
1	Kit—oil cooler	8G2282		1			Standard model All round disc brakes } Not available; use component parts
2	Kit—oil cooler	8G2325		1			
3	Cooler—oil	ARH113		1	ARH185		ARH113 not available; use ARH185
4	Pipe—filter to cooler	AHH5892	2	1			Standard model
5	Pipe—filter to cooler	AHH6045		1			All round disc brakes
6	Pipe—block to cooler	AHH5891	3	1			Standard model
7	Pipe—block to cooler	AHH6046		1			All round disc brakes
8	Packing—cooler	AHH5902	4	1			
9	Screw—cooler to front apron	HZS0406	5	4			
10	Washer—plain	PWZ104	6	4			
11	Nut	LNZ104	7	4			
12	Clip—pipe	PCR0809	8	2			
13	Screw—clip to wheelarch	PMZ0308	9	2			
14	Nut	FNZ103	10	2			
15	Washer—spring	LWZ103	11	2			
16	Washer—plain	PWZ103	12	2			
17	Pipe—flexible	AHH5883	13	2	AHH6296	Com. (C) 103030	AHH5883 not available; use AHH6296
18	Adaptor union	ARH1113	14	1			} Not available; use AHH6701
19	Seal—bonded	ARH1112	15	1			
20	Adaptor union assembly			1	AHH6701		

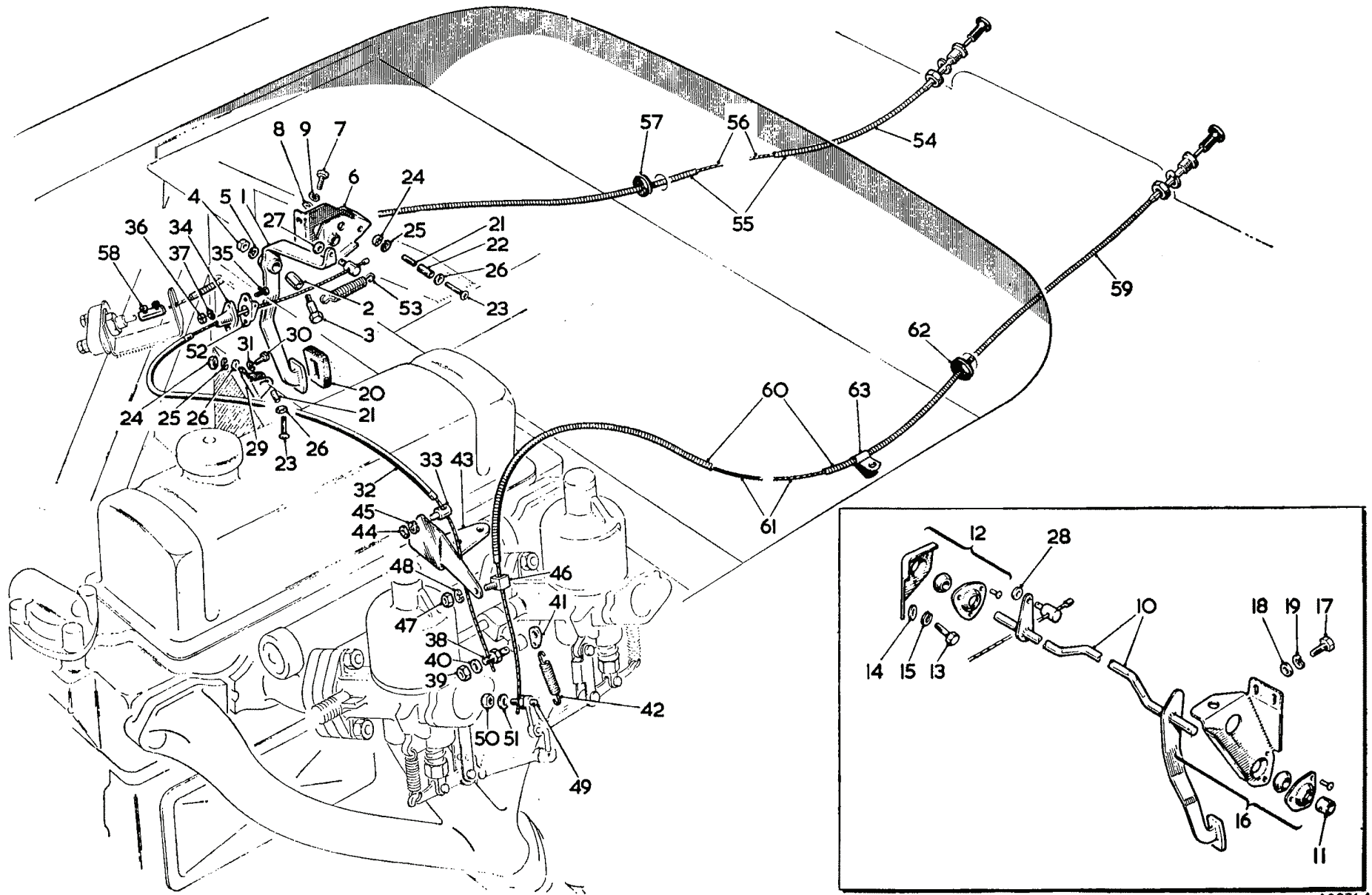


A2126B

SERVICE PARTS LIST

THE MGA 1600

Item No.	DESCRIPTION	Commencing (C) 68851		Quantity	MODIFICATIONS		REMARKS
		Part Number	Illus. No.		New Part Number	Change Point	
	EXHAUST SYSTEM						
1	Pipe assembly—exhaust	ARH63	1	1			
2	Pipe—front	ARH1053	2	1			
3	Silencer and tail pipe	ARH65	3	1			
4	Pipe assembly—exhaust			1	ARH178] Com. (C) 104805	ARH192 not available; use 88G401
5	Pipe—front			1	ARH1846		
6	Silencer—front			1	ARH192		
7	Pipe—intermediate			1	ARH1845		
8	Silencer (with tail pipe)—rear			1	ARH65		
9	Packing—exhaust pipe	AHH5146	4	1			
10	Mounting—intermediate	AHH5402	5	1			
11	Bush—intermediate mounting	AHH5403	6	2			
12	Housing—intermediate mounting	AHH5404	7	1			
13	Screw—housing to intermediate mounting	HZS0404	8	2			
14	Nut—screw	FNZ104	9	2			
15	Washer—spring—screw	LWZ204	10	2			
16	Bolt—bush and housing to pipe	HBZ0522	11	1			
17	Nut—bolt	FNZ105	12	1			
18	Washer—spring—bolt	LWZ205	13	1			
19	Mounting—rear	AHH5405	14	1			
20	Screw—mounting to frame	HZS0404	15	4			
21	Nut—screw	FNZ104	16	4			
22	Washer—spring—screw	LWZ204	17	4			
23	Bolt—rear mounting and tail pipe	HBZ0422	18	1			
24	Nut—bolt	FNZ104	19	1			
25	Washer—spring—bolt	LWZ204	20	1			
26	Washer—plain—bolt	PWZ104	21	2			
27	Strap—upper—front mounting	AHH5406	22	1			
28	Strap—lower—front mounting	AHH5407	23	1			
29	Screw—strap to front pipe	HZS0505	24	1			
30	Nut—screw	FNZ105	25	1			
31	Washer—spring—screw	LWZ205	26	1			
32	Washer—plain—screw	PWZ105	27	1			



A2276A

To face page A.18

SERVICE PARTS LIST

THE MGA 1600

Item No.	DESCRIPTION	Commencing (C) 68851		Quantity	MODIFICATIONS		REMARKS
		Part Number	Illus. No.		New Part Number	Change Point	
	ENGINE CONTROLS						
	ACCELERATOR CONTROLS						
1	Pedal assembly—accelerator	AHH5300	1	1			
2	Bush	AHH5301	2	1			
3	Pin—fulcrum—accelerator pedal	AHH5306	3	1			
4	Nut fulcrum pin	FNZ105	4	1			
5	Washer—spring—nut	LWZ205	5	1			
6	Bracket—accelerator pedal mounting	AHH5302	6	1			
7	Screw—bracket to goalpost inner upright	HPZ0405	7	4	HZS0405		HPZ0405 not available use HZS0405
8	Washer—plain—screw	PWZ104	8	4			
9	Washer—spring—screw	LWZ204	9	4			
10	Pedal and cross-shaft assembly—accelerator	AHH5311	10	1			Standard model
11	Pedal and cross-shaft assembly—accelerator				AHH5727	Com. (C) 91240	All round disc brakes model
12	Collar—locating—accelerator shaft	AHH5314	11	1			
13	Bracket assembly (R/H) accelerator pedal shaft	AHH5320	12	1			
14	Screw—bracket to goalpost (R/H)	HPZ0405	13	2	HZS0405		HPZ0405 not available use HZS0405
15	Washer—plain—screw	PWZ104	14	2			
16	Washer—spring—screw	LWZ204	15	2			
17	Bracket assembly (L/H) accelerator pedal shaft	AHH5321	16	1			
18	Screw—bracket to goalpost (L/H)	HPZ0405	17	3	HZS0405		HPZ0405 not available use HZS0405
19	Washer—plain—screw	PWZ104	18	3			
20	Washer—spring—screw	LWZ204	19	3			
21	Pad—pedal (rubber)	ACA5321	20	1			
22	Tube—distance	AHH5303	21	2			
23	Stop—accelerator pedal	AHH5304	22	1			
24	Screw—distance tube/adjustable stop	PMZ0422	23	2			
25	Nut screw	FNZ104	24	2			
26	Washer—spring—nut	LWZ204	25	2			
27	Washer—plain—nut	PWZ104	26	3			

SERVICE PARTS LIST

THE MGA 1600

Item No.	DESCRIPTION	Commencing (C) 68851		Quantity	MODIFICATIONS		REMARKS
		Part Number	Illus. No.		New Part Number	Change Point	
	Accelerator Controls—continued						
1	Washer—plain—cable to pedal R.H.D.	AJD7042	27	2			
2	Washer—plain—cable to shaft assembly L.H.D.	AJD7042	28	1			
3	Adjustable stop—accelerator pedal	AHH5380	29	1			
4	Screw—adjustable stop	HZS0405	30	2			
5	Washer—spring—screw	LWZ204	31	2			
6	Cable—accelerator	AHH5025	32	1			
7	Pin—cable anchor	AHH5026	33	1			
8	Tec barrel	ACA5289	33	1			
9	Guide—cable	AHH5308	34	1			
10	Screw—guide to toeboard plate	PMZ0808	35	2			
11	Nut—screw	FNZ103	36	2			
12	Washer—spring—screw	LWZ203	37	2			
13	Clamp—accelerator cable	AHH5309	38	1			
14	Nut—cable to clamp	FNZ104	39	1			
15	Washer—plain—cable clamp	PWZ104	40	1			
16	Bracket—accelerator return spring	AAA040	41	1			
17	Spring—accelerator return	AHH5021	42	1			Part No. change was 84180
18	Bracket—abutment	AHH5310	43	1			
19	Washer—plain—cable to bracket	AJD7042	44	1			
20	Washer—spring—cable to bracket	AJD7712	45	1			
21	Abutment—choke control	ACH5112	46	1			
22	Nut—choke abutment	FNZ103	47	1			
23	Washer—spring—choke abutment	LWZ208	48	1			
24	Clamp—choke control cable	AHH5309	49	1			
25	Nut—cable to clamp	FNZ104	50	1			
26	Washer—plain—cable to clamp	PWZ104	51	1			
27	Bracket—accelerator spring anchor	AHH5023	52	1			
28	Spring—pull off	AHH5024	53	1			

SERVICE PARTS LIST

THE MGA 1600

Item No.	DESCRIPTION	Commencing (C) 68851		Quantity	MODIFICATIONS		REMARKS
		Part Number	Illus. No.		New Part Number	Change Point	
	STARTER CONTROL						
1	Cable assembly—starter control	AHH5327	54	1			
2	Cable—outer	AHH5328	55	1			
3	Cable—inner	AHH5329	56	1			
4	Grommet—dash	RFR103	57	1			
5	Cable assembly—starter control	AHH5330		1			
6	Cable—outer	AHH5331		1			
7	Cable—inner	AHH5332		1			
8	Coupling—starter switch to control	8H950	58	1			
	CHOKER CONTROL						
9	Control assembly—choke	AHH5333	59	1			
10	Cable—outer	AHH5334	60	1			
11	Cable—inner	AHH5335	61	1			
12	Grommet—dash	RFR103	62	1			
13	Control assembly—choke	AHH5336		1			
14	Cable—outer	AHH5337		1			
15	Cable—inner	AHH5338		1			
16	Clip fixing cable	PCR0311	63	1			