

A 8194

SERVICE PARTS LIST

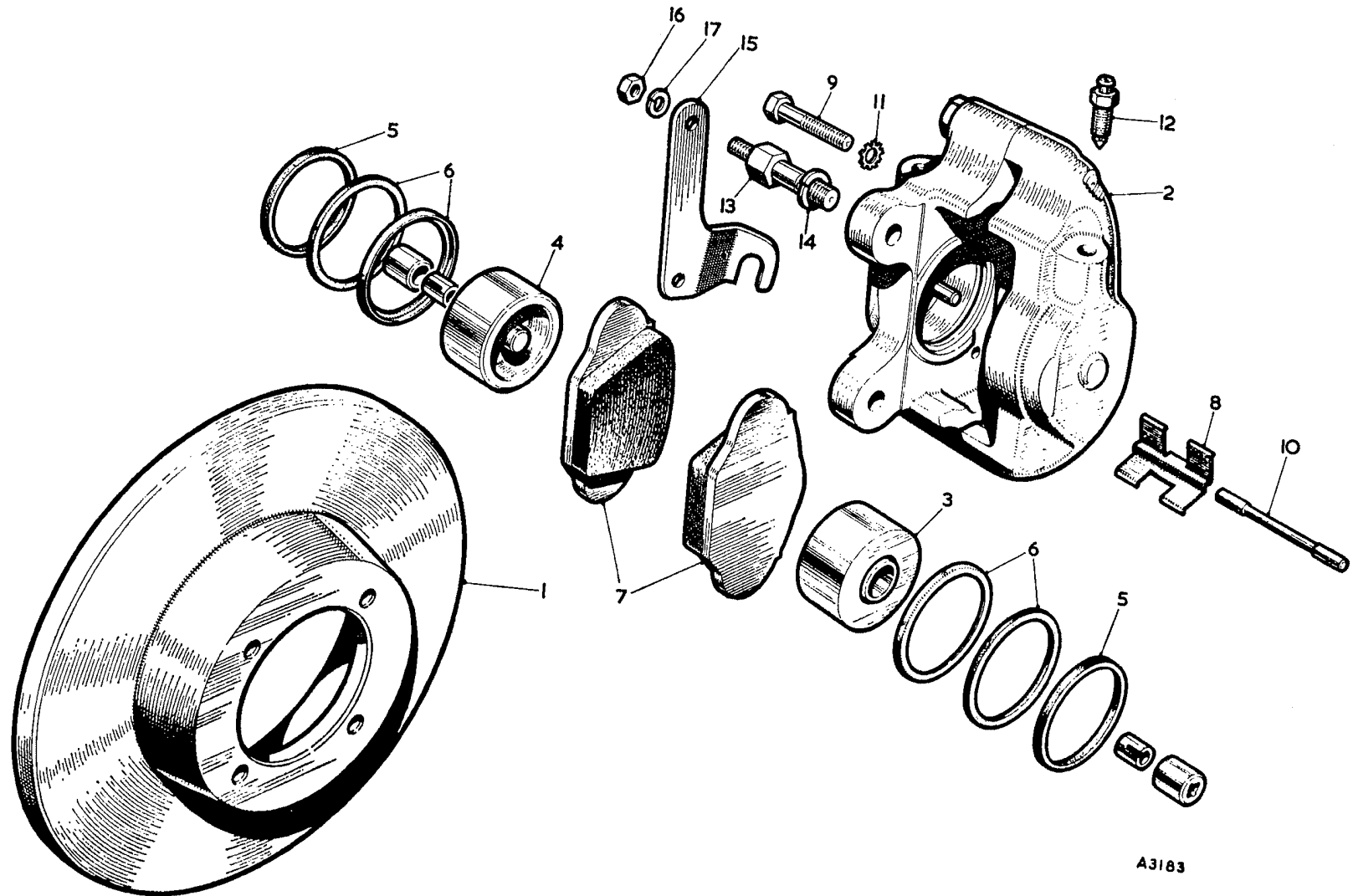
THE MGA 1600

Item No.	DESCRIPTION	Commencing (C) 68851		Quantity	MODIFICATIONS		REMARKS
		Part Number	Illus. No.		New Part Number	Change Point	
	FRONT AXLE AND SUSPENSION						
	STANDARD MODEL						
1							
2	Front suspension assembly—R/H	N.S.P.		1			
3	Front suspension assembly—L/H	N.S.P.		1			
4	Steering knuckle—R/H	ATB4268		1			
5	Steering knuckle—L/H	ATB4269	1	1			
6	Washer—steering knuckle	ATB4069	2	2			
7	Nut—steering knuckle—R.H.T.	FNN412		1			
8	Nut—steering knuckle—L.H.T.	FNN2412	3	1			
9	Pin—swivel—R/H	ATB4218		1			
10	Pin—swivel—L/H	ATB4219	4	1			
11	Link—swivel pin—lower—R/H	ATB4212		1			
12	Link—swivel pin—lower—L/H	ATB4213	5	1			
13	Bush	ACG6005	6	2			
14	Plate	ACA4010	7	2			
15	Link—swivel pin—upper—R/H	ATB4208		1			
16	Link—swivel pin—upper—L/H	ATB4209	8	1			
	Bush	ACG6005	9	2	BTB768		ACG6005 not available; use BTB768
17							
18	Plate	ACA4010	10	2			
19	Seal for swivel pin	ACG4030	11	4			
20	Lubricator—swivel pin link	UHN405	87	4			
21	Lever—steering—R/H	BTB102		1			
22	Lever—steering—L/H	BTB103	12	1			
23	Key—Woodruff—for steering lever	WKN506	13	2			
24	Nut—steering lever	LNZ110	14	2			
25	Nut—steering lever	LNZ210		2] Alternatives
26	Nut—steering lever	LNZ310		2			
27	Washer—plain—nut	PWZ110	15	2			
28	Plate—adaptor—R/H	BTB124		1			
29	Plate—adaptor—L/H	BTB125	16	1			
30	Cover—dust—disc—R/H			1	BTB384		
31	Cover—dust—disc—L/H			1	BTB385	Com. (C) 102589	
32	Washer—distance			8	BTB386		
33	Bolt—adaptor plate to steering knuckle	BTB198	17	8	HBZ0611		
34	Nut—bolt	FNZ506	18	8			
35	Washer—spring—bolt	LWZ206	19	8			
36	Hub assembly	BTB106	20	2	BTB149	Com. (C) 69505	
37	Stud—wheel	ATC4257	21	8] Disc wheels only
38	Stud—brake disc	BTB104	22	8		Fin. (C) 69504	
39	Bolt—brake disc to hub			8	BTB145	Com. (C) 69505	
40	Nut—bolt			8	FNZ506		
41	Nut—wheel stud	88G276		8			Part No. change; was ATB7074 and BTB415
42	Nut—brake disc stud	FNZ506	24	8		Fin. (C) 69504 disc wheels	
	Washer—spring—nut	LWZ206	25	8		Fin. (C) 70275 wire wheels	

SERVICE PARTS LIST

THE MGA 1600

Item No.	DESCRIPTION	Commencing (C) 68851		Quantity	MODIFICATIONS		REMARKS
		Part Number	Illus. No.		New Part Number	Change Point	
Front Axle and Suspension—Standard Model—continued							
1	Hub assembly—R/H	BTB114		1	BTB142] Com. (C) 70276] Wire wheels only
2	Hub assembly—L/H	BTB115	26	1	BTB143		
3	Stud—brake disc	BTB104	27	8] Fin. (C) 70275] Com. (C) 70276	
4	Bolt—brake disc to hub			8	BTB145		
5	Nut—bolt			8	FNZ506		
6	Washer—distance			2			
7	Seal—oil	ACF4001	28	2			
8	Bearing—hub—inner	ACF4004	29	2			
9	Distance piece—bearing	ACF4002	30	2			
10	Bearing—hub—outer	ACF4003	31	2			
11	Cup—grease retaining	ACF4000	32	2] Disc wheels only] Wire wheels only	
12	Cup—grease retaining	ATB4098	33	2			
		ATB4181	34	2			

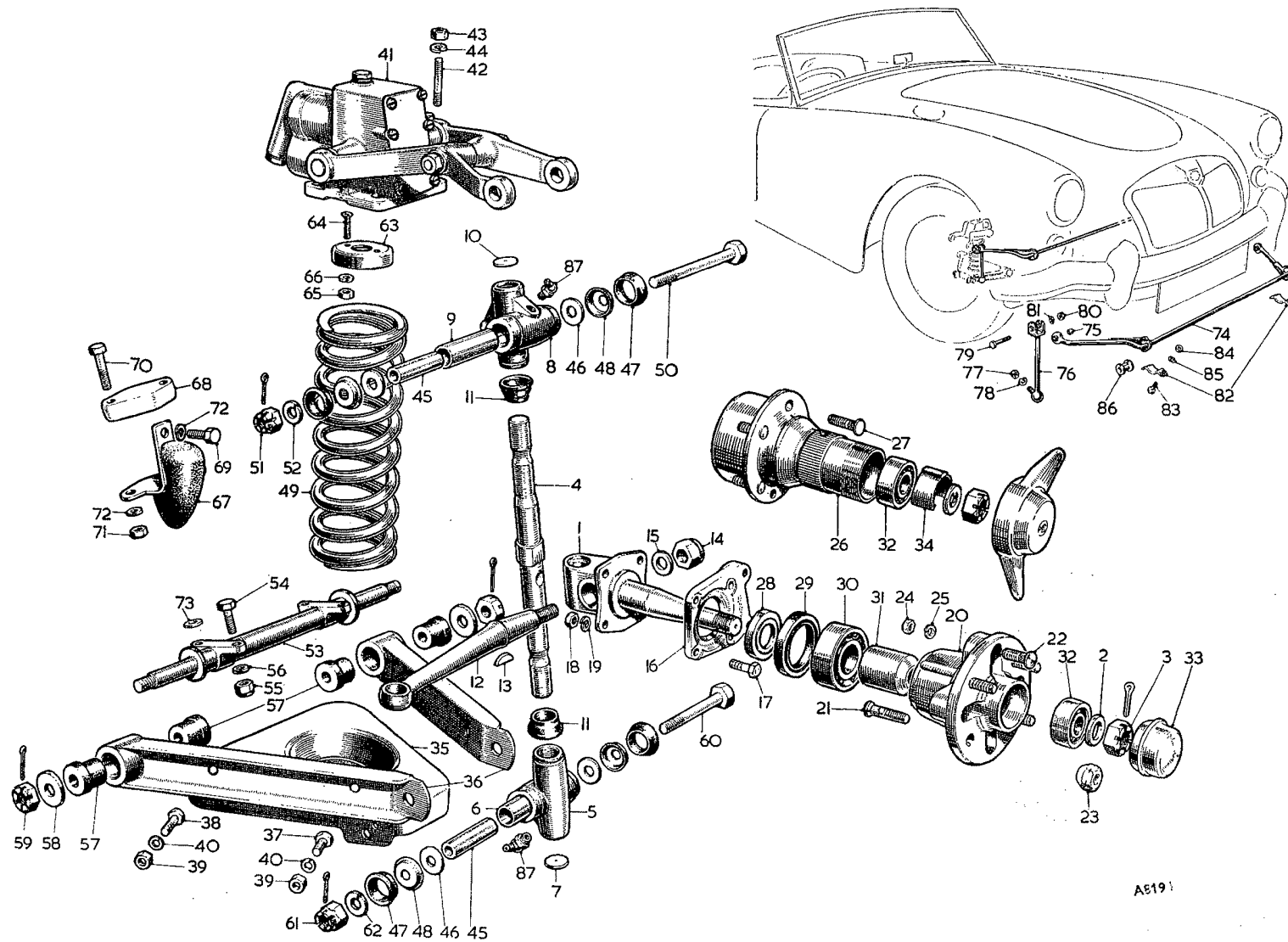


A3183

SERVICE PARTS LIST

THE MGA 1600

Item No.	DESCRIPTION	Commencing (C) 68851		Quantity	MODIFICATIONS		REMARKS
		Part Number	Illus. No.		New Part Number	Change Point	
Front Axle and Suspension—Standard Model—continued							
1	Disc—brake	BTB108	1	2			
2	Calliper unit assembly—R/H	BTB110		1] Fin. (C) 78105] Use BTB166 and BTB167 for all service replacements. See service memorandum MG290
3	Calliper unit assembly—L/H	BTB111		1			
4	Calliper unit assembly—R/H			1	BTB166		
5	Calliper Unit assembly—L/H				BTB167] Com. (C) 78106] Not available; use 27H4648 together with 8G8379
6	Calliper unit assembly—R/H (less pads)				27H4648		
7	Calliper unit assembly—L/H (less pads)				27H4648		
8	Calliper—R/H	17H7734		1			
9	Calliper—L/H	17H7735	2	1			
10	Seal—fluid channel	17H7679		2			
11	Bolt—bridge	17H7873		4			
12	Washer—tab	17H7874		4			
13	Piston—rim half	17H7730	3	2			
14	Piston—mounting half	17H7730	4	2			
15	Seal—inner	17H7729	5	4			
16	Wiper—seal with retainer	17H7827	6	4			
17	Bolt	MBN0512	9	2			
18	Washer—shakeproof—bolt	LWN505	11	2			
19	Screw—bleed	3H2428	12	4			
20	Pad—assembly	8G8314	7	1 set	8G8379	Com. (C) 78106	For 8G8314 use 8G8379 For all service replacements see service memorandum MG290
21	Pad	N.S.P.		4			
22	Spring—pad retaining	17H7733	8	2			
23	Pin—pad retaining spring	17H7732	10	2			
24	Bolt—calliper to swivel knuckle	BTB128	13	4			
25	Washer—spring—bolt	LWZ207	14	4			
26	Lockplate—front brake hose—R/H	BTB126		1			
27	Lockplate—front brake hose—L/H	BTB127	15	1			
28	Nut—lockplate	FNZ105	16	4			
29	Washer—nut	LWZ305	17	4			
30	Kit—Calliper repair	8G8313		2	8G8641] Com. (C) 103261 wire wheels 103834 disc wheels	8G8313 not available; use 8G8641
31	Wiper—seal (with retainer)			4			
32	Seal—inner			4			



SERVICE PARTS LIST

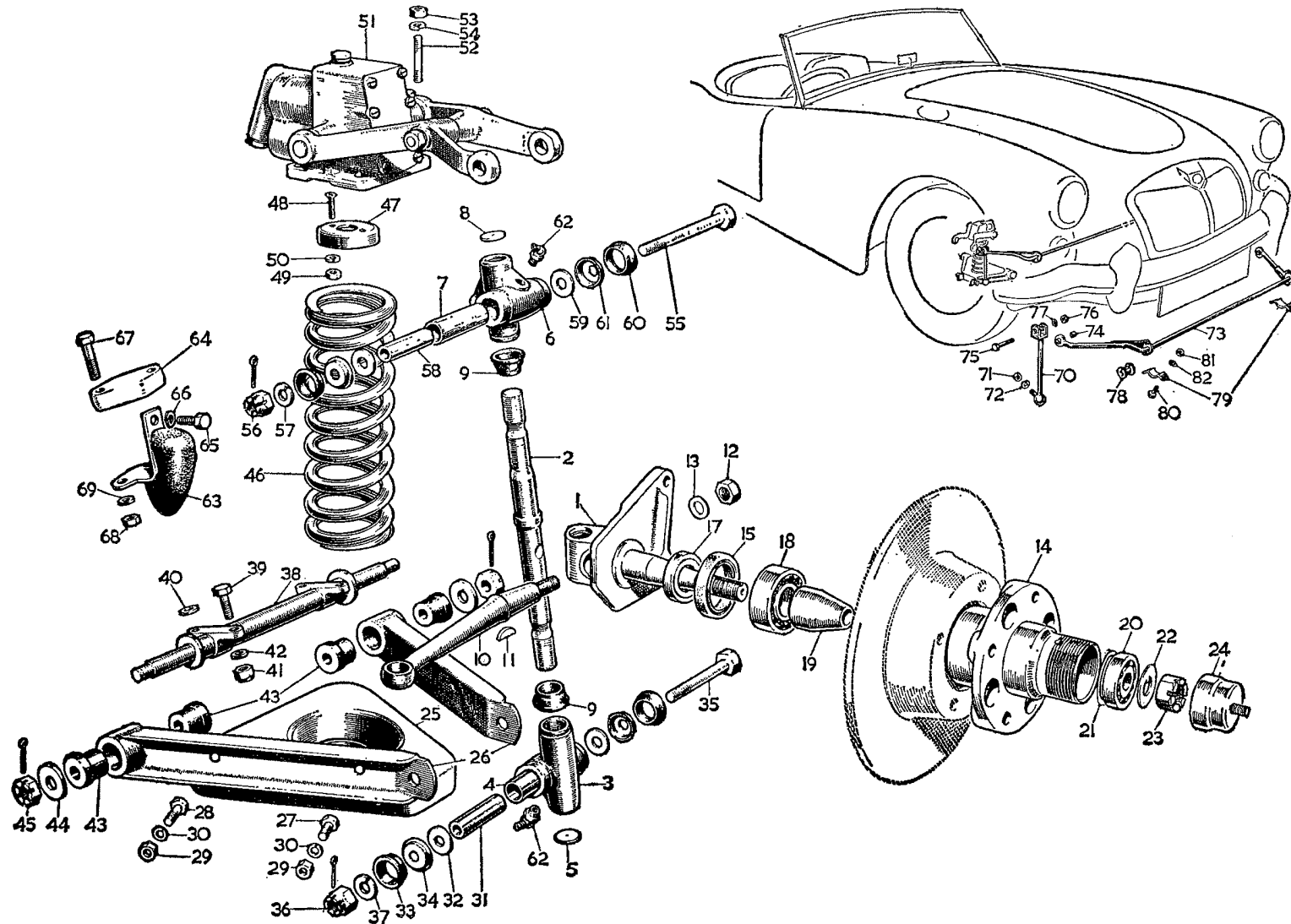
THE MGA 1600

Item No.	DESCRIPTION	Commencing (C) 68851		Quantity	MODIFICATIONS		REMARKS
		Part Number	Illus. No.		New Part Number	Change Point	
Front Axle and Suspension—Standard Model—continued							
1	Spring pan assembly	AHH5925	35	2			
2	Wishbone assembly—bottom	AAA1326	36	4			Part No. change; was 126908
3	Screw—spring pan to wishbone	HZS0507	37	4			
4	Screw—spring pan to wishbone	HZS0508	38	4			
5	Nut—screw	FNZ105	39	8			
6	Washer—spring—screw	LWZ205	40	8			
7	Absorber—shock	AHH4004	41	2			
8	Stud—shock absorber to cross member	AHH5070	42	8			
9	Nut—stud	FNZ106	43	8			
10	Washer—spring—nut	LWZ206	44	8			
11	Distance tube—link	AAA1322	45	4			Part No. change; was 126900
12	Washer—thrust—link	AAA1390	46	8			Part No. change; was 127657
13	Seal—link	AAA1323	47	8			Part No. change; was 126902
14	Support—link seal	AAA1324	48	8			Part No. change; was 126903
15	Spring—coil	AHH5546	49	2			
16	Bolt—wishbone to link	AHH4002	50	2			
17	Nut—bolt	FNZ308	51	2			
18	Washer—spring—bolt	LWZ208	52	2			
19	Pivot—wishbone	AHH4003	53	2			
20	Bolt—pivot to member	ACB5255	54	8			
21	Nut—bolt	LNZ106	55	8			
22	Washer—spring—nut	LWZ206	56	8			
23	Bush—bottom wishbone	AAA1329	57	8			Part No. change; was 126914
24	Washer—wishbone pivot	AAA1330	58	4			Part No. change; was 126915
25	Nut—slotted—wishbone pivot	FNZ408	59	4			
26	Bolt—bottom wishbone to link	AHH4001	60	2			
27	Nut—bolt	FNZ308	61	2			
28	Washer—spring—bolt	LWZ208	62	2			
29	Spigot—spring	AHH5897	63	2			
30	Screw—spigot to member	CMZ0418	64	4			
31	Nut—screw	FNZ104	65	4			
32	Washer—spring—screw	LWZ204	66	4			
33	Rubber—check	AAA5023	67	2			Part No. change; was 500822
34	Distance piece—check rubber	AAA5024	68	2			Part No. change; was 500823
35	Screw—check rubber to member	HZS0504	69	2			
36	Bolt—check rubber to member	HBS0512	70	4			
37	Nut—bolt	FNZ105	71	4			
38	Washer—spring—nut	LWZ205	72	6			
39	Washer—plain—nut	PWZ106	73	2			

SERVICE PARTS LIST

THE MGA 1600

Item No.	DESCRIPTION	Commencing (C) 68851		Quantity	MODIFICATIONS		REMARKS
		Part Number	Illus. No.		New Part Number	Change Point	
	ANTI-ROLL BAR						
1	Bar assembly—anti-roll	AHH5940	74	1			Optional extra. Andrex dampers and anti-roll bar equipment not to be used simultaneously
2	Bush	AHH5939	75	2			
3	Wishbone assembly—bottom—R/H	AHH5927		1			
4	Wishbone assembly—bottom—L/H	AHH5929		1			
5	Link—anti-roll bar—R/H	AHH5931	76	1			
6	Link—anti-roll bar—L/H	AHH5932		1			
7	Nut—link to pan	FNZ108	77	2			
8	Washer—spring—nut	LWZ208	78	2			
9	Bolt—link to roll bar	AHH5941	79	2			
10	Nut—bolt	LNZ107	80	2			
11	Washer—plain—nut	PWZ107	81	2			
12	Bush—anti-roll bar	AHH5934	86	2			
13	Housing—bush	AHH5935	82	2			
14	Screw—fixing housing	HZS0505	83	4			
15	Nut—screw	FNZ105	84	4			
16	Washer—nut	LWZ205	85	4			

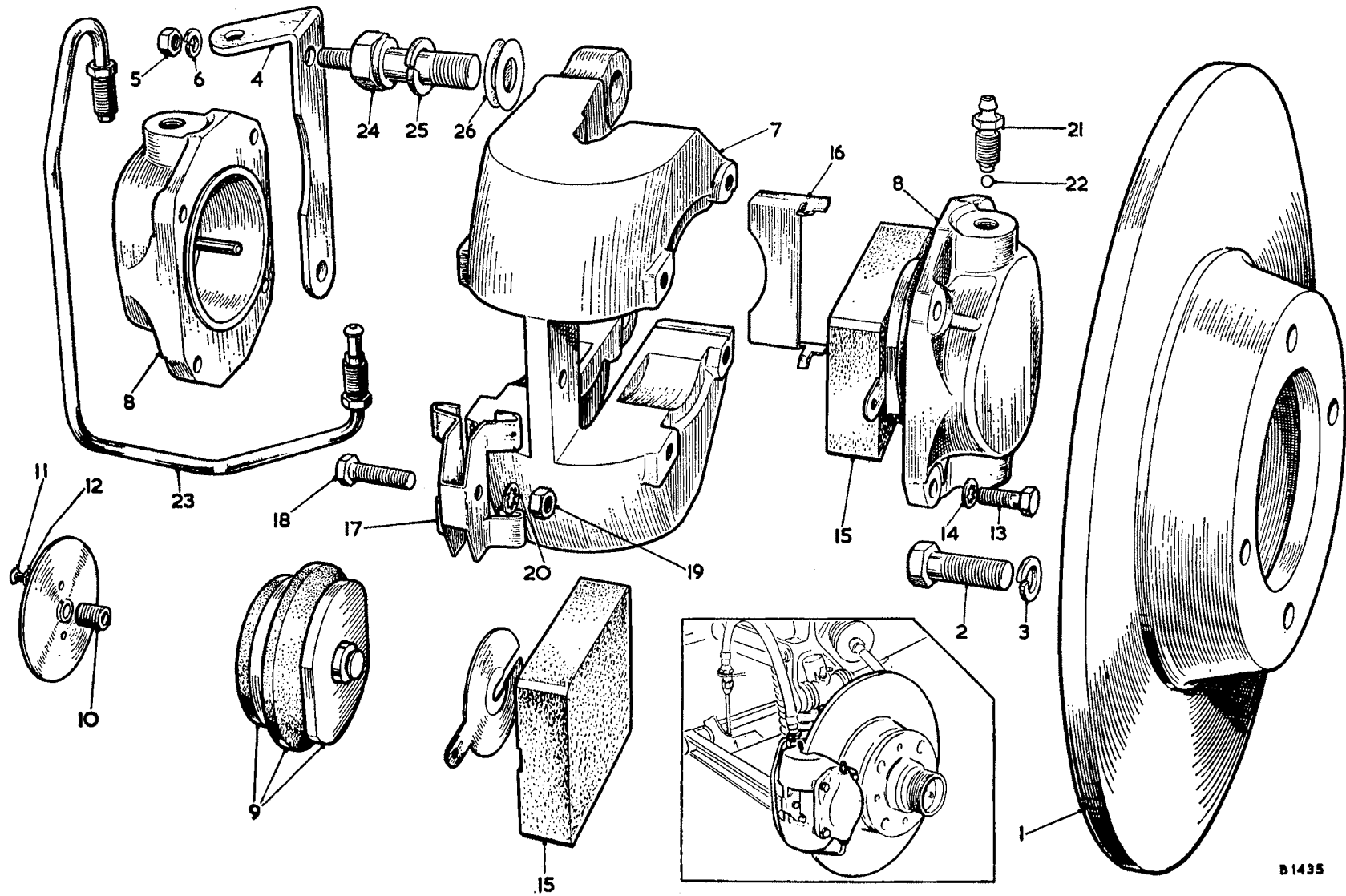


A2915t

SERVICE PARTS LIST

THE MGA 1600

Item No.	DESCRIPTION	Commencing (C) 68851		Quantity	MODIFICATIONS		REMARKS
		Part Number	Illus. No.		New Part Number	Change Point	
	FRONT AXLE AND SUSPENSION						
	ALL ROUND DISC BRAKES MODEL						
1	Front suspension assembly—R/H			1	N.S.P.] Alternatives	
2	Front suspension assembly—L/H			1	N.S.P.		
3	Steering knuckle—R/H		1	1	ATB4232		
4	Steering knuckle—L/H			1	ATB4233		
5	Pin—swivel—R/H		2	1	ATB4218		
6	Pin—swivel—L/H			1	ATB4219		
7	Link—swivel pin—lower—R/H		3	1	ATB4212		
8	Link—swivel pin—lower—L/H			1	ATB4213		
9	Bush		1	2	ACG6005		Not available; use BTB708
10	Bush			2	BTB768		
11	Plate		5	2	ACA4010		
12	Link—swivel pin—upper—R/H		6	1	ATB4208		
13	Link—swivel pin—upper—L/H			1	ATB4209		
14	Bush		7	2	ACG0005		
15	Plate		8	2	ACA4010		
16	Seal—swivel pin		9	4	ACG4030		
17	Lever—steering—R/H		10	1	ATB4258		
18	Lever—steering—L/H			1	ATB4259		
19	Key—steering lever		11	2	WKN506		
20	Nut—steering lever		12	2	LNZ110		
21	Nut—steering lever			2	LNZ210		
22	Washer—plain—for nut		13	2	PWZ110		
23	Hub assembly—R/H		14	1	ATB4236		
24	Hub assembly—L/H			1	ATB4237		
25	Seal—oil		15	2	8G555		
26	Distance washer—hub		16	2	ACF4001		
27	Collar—oil seal		17	2	ATB4243		
28	Bearing—hub—inner		18	2	1B4399		
29	Bearing—hub—inner			2	BTC280		Not available; use BTC280
30	Spacer—bearing		19	2	ATB4239		
31	Bearing—hub—outer		20	2	ATB4238		
32	Shim—bearing—003" (076 mm.)		21	A/R	ATB4240		
33	Shim—bearing—005" (127 mm.)			A/R	ATB4241		
34	Shim—bearing—010" (254 mm.)			A/R	ATB4242		
35	Washer—bearing retaining		22	2	1A4742		
36	Nut—bearing retaining		23	2	51K330		
37	Cup—grease retaining		24	2	ATB4245		



B1435

To face page K.7

SERVICE PARTS LIST

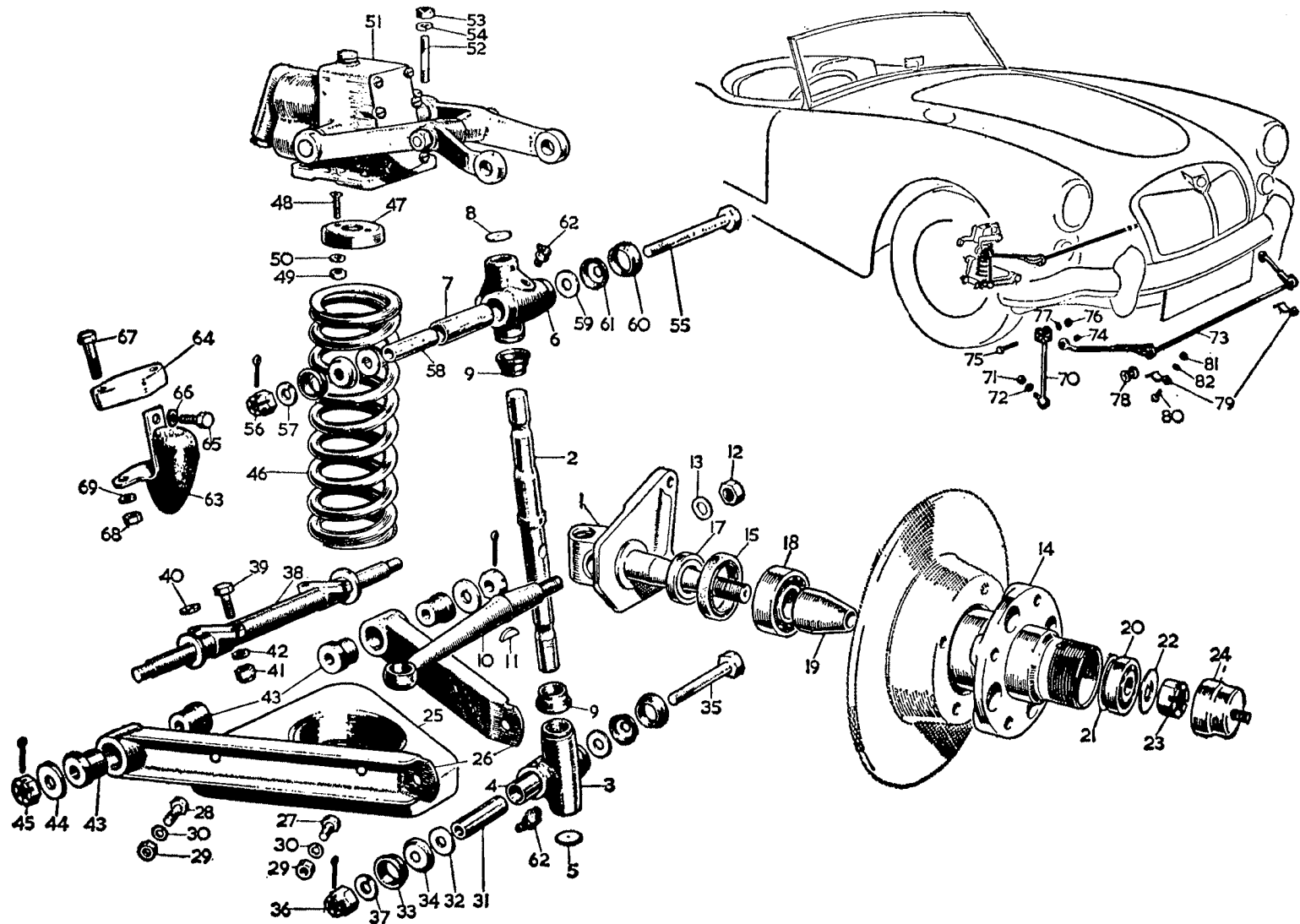
THE MGA 1600

Item No.	DESCRIPTION	Commencing (C) 68851		Quantity	MODIFICATIONS		REMARKS
		Part Number	Illus. No.		New Part Number	Change Point	
Front Axle and Suspension—All Round Disc Brakes Model—continued							
1	Disc—brake		1	2	ATB4244	} Com. (C) 91240	
2	Bolt—brake disc to hub		2	8	ATB4247		
3	Washer—spring—bolt		3	8	LWZ207		
4	Bracket—hose—R/H		4	1	ATB4256		
5	Bracket—hose—L/H			1	ATB4257		
6	Nut—bracket		5	4	FNZ105		
7	Washer—spring—nut		6	4	LWZ205		
8	Calliper unit assembly—R/H			1	BTB134		
9	Calliper unit assembly—L/H			1	BTB135		
10	Calliper—R/H		7	1	7H8261		
11	Calliper—L/H			1	7H8261		
12	Cylinder assembly		8	4	7H8257		
13	Piston assembly		9	4	7H8209		
14	Bush—retractor		10	4	7H8212		
15	Screw—plate to piston		11	8	AJD4802N		
16	Washer—shakeproof—screw		12	8	7H8222		
17	Bolt—cylinder to calliper		13	16	7H8206		
18	Washer—shakeproof—bolt		14	16	LWN404		Part No. change; was 7H8207
19	Pad assembly—friction		15	4	7H8201		
20	Plate—support		16	4	7H8202		
21	Plate—keep		17	2	7H8203		
22	Bolt—keep plate		18	2	HZS0407		
23	Nut—bolt		19	2	FNZ104		
24	Washer—shakeproof—for nut		20	2	LWN404		Part No. change; was 7H8207
25	Screw—bleed		21	2	7H8252		
26	Ball—bleed screw		22	2	BLS106		
27	Pipe—bridge—R/H		23	1	7H8210		
28	Pipe—bridge—L/H			1	7H8221		
29	Bolt—calliper to stub shaft		24	4	ATB4255		
30	Washer—spring—bolt		25	4	LWZ207		
31	Shim—calliper to stub axel .003" (-076 mm.)		26	A/R	ATB4251		
32	Shim—calliper to stub axle .005" (-127 mm.)			A/R	ATB4252		
33	Shim—calliper to stub axle .020" (-508 mm.)			A/R	ATB4253		
34	Kit—calliper repair			4 sets	8G8194		
35	Seal—piston			4			
36	Seal—dust			4			

SERVICE PARTS LIST

THE MGA 1600

Item No.	DESCRIPTION	Commencing (C) 68851		Quantity	MODIFICATIONS		REMARKS
		Part Number	Illus. No.		New Part Number	Change Point	
	Font Axle and Suspension—All Round Disc Brakes Model <i>continued</i>						
1	Spring pan assembly		25	2	AHH5925] Com. (C) 91240	
2	Wishbone assembly—bottom		26	2	AAA1326		Part No. change; was 126908
3	Wishbone assembly—bottom front—R/H			1	AHH5927		
4	Wishbone assembly—bottom front—L/H			1	AHH5929		
5	Screw—spring pan to wishbone		27	2	HZS0507		
6	Screw—spring pan to wishbone		28	4	HZS0508		
7	Nut—screw		29	6	FNZ105		
8	Washer—spring nut		30	6	LWZ205		
9	Distance tube—lower link		31	2	AAA1322		Part No. change; was 126900
10	Washer—thrust—lower link		32	4	AAA1390		Part No. change; was 127657
11	Seal—link		33	4	AAA1323		Part No. change; was 126902
12	Support—link seal		34	4	AAA1324		Part No. change; was 126903
13	Bolt—bottom wishbone to link		35	2	AHH4001		
14	Nut—bolt		36	2	FNZ308		
15	Washer—spring nut		37	2	LWZ208		
16	Pivot—bottom wishbone		38	2	AHH4003		
17	Bolt—pivot to member		39	8	ACB5255		
18	Washer—front bolt (fitted under head)		40	2	PWZ106		
19	Nut—bolt		41	8	LNZ106		
20	Washer—spring nut		42	8	LWZ206		
21	Bush—bottom wishbone		43	8	AAA1329		Part No. change; was 126914
22	Washer—wishbone pivot		44	4	AAA1330		Part No. change; was 126915
23	Nut—wishbone pivot		45	4	FNZ408		
24	Spring—coil		46	2	AHH15789		
25	Spigot—coil spring		47	2	AHH15897		Part No. change; was AHH15789
26	Screw—spigot to cross-member		48	4	CMZ0418		
27	Nut—bolt		49	4	FNZ104		
28	Washer—spring—nut		50	4	LWZ204		
29	Absorber—shock		51	2	AHH4004		
30	Stud—shock absorber to cross-member		52	8	AHH5070		
31	Nut—stud		53	8	FNZ106		
32	Washer—spring nut		54	8	LWZ206		
33	Bolt—shock absorber to link		55	2	AHH4002		
34	Nut—bolt		56	2	FNZ308		
35	Washer—spring nut		57	2	LWZ208		
36	Distance tube—upper link		58	2	AAA1322		Part No. change; was 126900
37	Washer—thrust—upper link		59	4	AAA1390		Part No. change; was 127657
38	Seal for upper link		60	4	AAA1323		Part No. change; was 126902
39	Support—seal		61	4	AAA1324		Part No. change; was 126903
40	Lubricator—link		62	4	UHN405		
41	Rubber—check		63	2	AAA5023		Part No. change; was 500822



AA913C

SERVICE PARTS LIST

THE MGA 1600

Item No.	DESCRIPTION	Commencing (C) 68851		Quantity	MODIFICATIONS		REMARKS
		Part Number	Illus. No.		New Part Number	Change Point	
Front Axle and Suspension—All Round Disc Brakes Model—continued							
1	Distance piece—check rubber		64	2	AAA5024	Com. (C) 91240	Part No. change; was 500823
2	Screw—check rubber to cross-member		65	2	HZS0504		
3	Washer—spring—screw		66	2	LWZ205		
4	Bolt—check rubber to cross-member		67	4	HBZ0512		
5	Nut—bolt		68	4	FNZ105		
6	Washer—spring—nut		69	4	LWZ205		
ANTI-ROLL BAR							
7	Bar assembly—anti-roll		73	1	AHH5940	Com. (C) 91240	
8	Bush		74	2	AHH5939		
9	Link—anti-roll bar—R/H		70	1	AHH5931		
10	Link—anti-roll bar—L/H			1	AHH5932		
11	Nut—link to spring pan		71	2	FNZ108		
12	Washer—spring—nut		72	2	LWZ208		
13	Bolt—link to bar		75	2	AHH5941		
14	Nut—bolt		76	2	LNZ107		
15	Washer—plain—nut		77	2	PWZ107		
16	Bush—anti-roll bar		78	2	AHH5934		
17	Housing—bush		79	2	AHH5935		
18	Screw—housing to member		80	4	HZS0505		
19	Nut—screw		81	4	FNZ105		
20	Washer—spring—nut		82	4	LWZ205		