

A3206A

To face page R.1

SERVICE PARTS LIST

THE MGA 1600

Item No.	DESCRIPTION	Commencing (C) 68851		Quantity	MODIFICATIONS		REMARKS
		Part Number	Illus. No.		New Part Number	Change Point	
	BODY SHELL						
	TOURER						
1	Shell—body	AFH6576		1	AFH7400	Com. (C) 100852	AFH6576 not available; use AFH7400
2	Front end assembly	AFH5484		1			
3	Panel—bonnet surround	AFH1520	1	1			
4	Front side assembly—R/H	AFH4894	2	1			
5	Front side assembly—L/H	AFH4895	3	1			
6	Bonnet surround reinforcement	AFH1521	4	1			
7	Panel assembly—front bulkhead	AFH1524	5	1			
8	Panel—radiator duct	AFH900	6	1			
9	Box assembly—R/H air duct	AFH1502	7	1			
10	Box assembly—L/H air duct	AFH1503	8	1			
11	Strip—front bulkhead packing	AFH1794	9	1			
12	Tube—air duct	AFH1527	10	2			
13	Panel—front valance	AFH1896	11	1			
14	Screw fixing panel	AFH2587	12	14	53K126		AFH2587 not available; use 53K126
15	Washer—spring—screw	LWZ203	13	14			
16	Washer—plain—screw	PWZ203	14	14			
17	Bracket—bonnet lock safety catch	AFH1767	15	1			
18	Screw fixing bracket	AFH2587	16	2	53K126		AFH2587 not available; use 53K126
19	Washer—spring—screw	LWZ203	17	2			
20	Washer—plain—screw	PWZ203	18	2			
21	Panel assembly—bonnet lid	AFH4880	19	1			
22	Catch assembly—safety	14A366	20	1			
23	Batten—bonnet lid stiffening	AFH4879	21	1			
24	Tonneau assembly	AFH1754		1			
25	Tonneau sub-assembly	AFH1870		1			
26	Tonneau panel	AFH1871	22	1			
27	Floor assembly—boot	AFH1874	23	1			
28	Dzus spring	7H9828	24	2			
29	Reinforcement assembly—tonneau	AFH1579	25	1			
30	Panel assembly—rear bulkhead	AFH1585	26	1			
31	Panel assembly—battery cover	AFH1663	27	1	AFH6866	Com. (C) 78249	
32	Dzus fastener	7H9827	28	2			
33	Screw fixing rear bulkhead panel	PMZ0308	29	2			
34	Nut—screw	FNZ103	30	2			
35	Washer—spring—nut	LWZ203	31	2			
36	Lid assembly—boot	AFH1577	32	1			

SERVICE PARTS LIST

THE MGA 1600

Item No.	DESCRIPTION	Commencing (C) 68851		Quantity	MODIFICATIONS		REMARKS
		Part Number	Illus. No.		New Part Number	Change Point	
	Body Shell—Tourer—continued						
1	Sill reinforcement and pillar assembly—R/H	AFH1620	33	1			
2	Sill reinforcement and pillar assembly—L/H	AFH1621	34	1			
3	Panel—sill—inner—R/H	AFH1656	35	1			
4	Panel—sill—inner—L/H	AFH1657	36	1			
5	Plate—sill—sealing—R/H	AFH1658	37	1			
6	Plate—sill—sealing—L/H	AFH1659	38	1			
7	Panel—sill—outer—R/H	AFH2624	39	1			
8	Panel—sill—outer—L/H	AFH2625	40	1			
9	Pillar top extension—R/H door hinge	AFH1624	41	1			
10	Pillar top extension—L/H door hinge	AFH1625	42	1			
11	Backing plate—R/H hinge pillar extension	AFH1626	43	1			
12	Backing plate—L/H hinge pillar extension	AFH1627	44	1			
13	Panel—R/H shut pillar facing	AFH898	45	1	AFH7510		AFH898 not available; use AFH7510 together with 1 off finisher AFH7512
14	Panel—L/H shut pillar facing	AFH899	46	1	AFH7511		AFH899 not available; use AFH7511 together with 1 off finisher AFH7513
15	Screw fixing facing panel—side	RMZ0310	47	6			
16	Screw fixing facing panel—bottom	RTZ804	48	4			
17	Screw fixing facing panel—top	CTZ804	49	4			
18	Finisher—sill—lower	AFH3752	50	2			
19	Bolt fixing sill finisher (special)	AFH3753	51	10			
20	Nut—bolt	FNZ103	52	10			
21	Lockwasher—nut	LWZ403	53	10			
22	Washer—plain—nut	PWZ203	54	10			Part No. change; was AJD7623
23	Door assembly—R/H	AFH1666	55	1			
24	Door assembly—L/H	AFH1667	56	1			
25	Stiffener—door casing	AFH1899	110	2			
26	Hinge—door	AFH5832	57	4			
27	Packing—door hinge	AFH5827	58	A/R			
28	Plate—tapping	AFH1464	59	4			
29	Screw fixing hinge	CMZ0412	60	32			
30	Washer—plain—screw	PWZ204	61	16			
31	Washer—spring—screw	LWZ204	62	16			
32	Nut—screw	FNZ104	63	16			
33	Wing assembly—R/H front	AFH6614	64	1			
34	Wing assembly—L/H front	AFH6615	65	1			
35	Screw fixing front wing to body	HZS0508	66	21			
36	Screw fixing front wing to body	HZS0510	67	5			
37	Washer plate—screw	AFH2627	68	22			
38	Washer—plain—screw	PWZ205		2			
39	Washer—plain—screw	PWZ105	69	2			
40	Washer—spring—screw	LWZ205	70	26			

SERVICE PARTS LIST

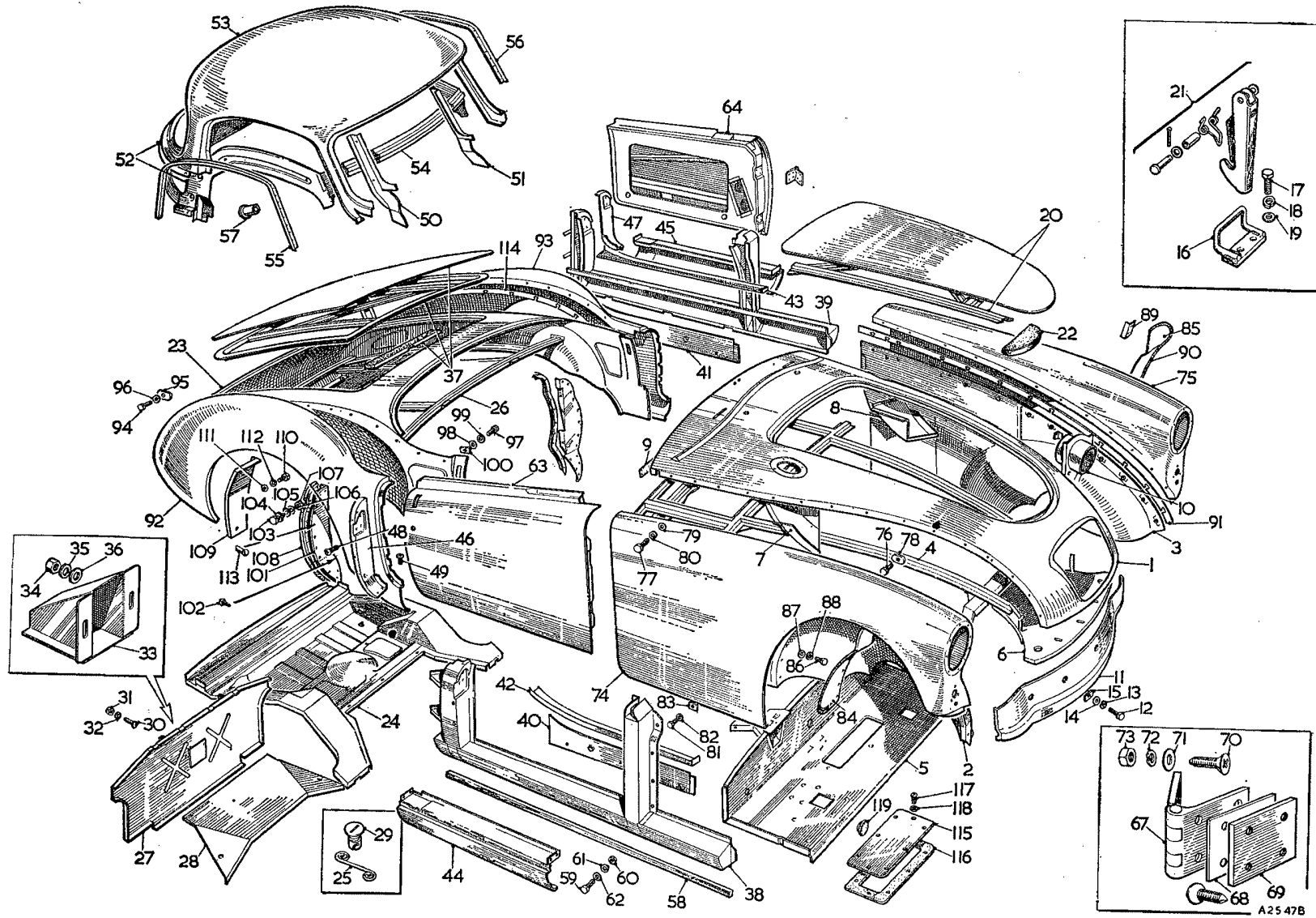
THE MGA 1600

Item No.	DESCRIPTION	Commencing (C) 68851		Quantity	MODIFICATIONS		REMARKS
		Part Number	Illus. No.		New Part Number	Change Point	
Body Shell—Tourer—continued							
1	Screw fixing front wing to sill	AFH2587	71	6	53K126		AFH2587 not available; use 53K126
2	Washer—spring—screw	LWZ203	72	6			
3	Washer plate—screw	AFH2546	73	6			
4	Packing—front wing	AFH3840		2			
5	Splash plate—R/H front wing	AFH1702	74	1			
6	Splash plate—L/H front wing	AFH1703	75	1			
7	Screw fixing splash plate	HZS0405	76	4			
8	Washer—plain—screw	PWZ204	77	4			
9	Washer—spring—screw	LWZ204	78	4			
10	Screw fixing splash plate	AFH2587		2	53K126		AFH2587 not available; use 53K126
11	Nut—screw	FNZ103		2			
12	Washer plate—screw	AFH2546		2			
13	Washer—spring—nut	LWZ203		2			
14	Screw fixing splash plate	HZS0405		12			
15	Washer—spring—screw	LWZ204		12			
16	Washer—plain—screw	PWZ204		12			
17	Bracket assembly—splash plate	AFH1700	79	2			
18	Seal—R/H front splash plate (rubber)	AFH1710		1			
19	Seal—L/H front splash plate (rubber)	AFH1711	90	1			
20	Piping wing front	AFH1692	81	2			
21	Wing assembly—rear—R/H	AFH1768	82	1	AFH7462		AFH1768 not available; use AFH7462
22	Wing assembly—rear—L/H	AFH1769	83	1	AFH7463	Com. (C) 100352	AFH1769 not available; use AFH7463
23	Screw—rear wing to body	HPZ0508	84	22			
24	Washer plate—screw	AFH2627	85	20			
25	Washer—plain—screw	PWZ205	86	2			
26	Washer—spring—screw	LWZ205	87	22			
27	Screw—rear wing to sill	AFH2587	88	4			
28	Washer plate—screw	AFH2546	89	4			
29	Washer—spring—screw	LWZ203	90	4			
30	Splash plate—rear wing front—R/H	AFH4782	91	1			
31	Splash plate—rear wing front—L/H	AFH4783		1			
32	Screw fixing plate	PTZ604	92	4			
33	Screw fixing plate	HZS0405	93	4			
34	Washer—plain—screw	PWZ204	94	4			
35	Washer—plain—screw	PWZ104	95	4			
36	Washer—spring—screw	LWZ204	96	4			
37	Nut—screw	FNZ104	97	4			

SERVICE PARTS LIST

THE MGA 1600

Item No.	DESCRIPTION	Commencing (C) 68851		Quantity	MODIFICATIONS		REMARKS
		Part Number	Illus. No.		New Part Number	Change Point	
Body Shell—Tourer—continued							
1	Seal—R/H rear splash plate (rubber)	AFH4784	98	1			
2	Seal—L/H rear splash plate (rubber)	AFH4785		1			
3	Splash plate—rear wing—rear—R/H	AFH1704	99	1			
4	Splash plate—rear wing—rear—L/H	AFH1705		1			
5	Screw fixing plate	HZS0405	100	8			
6	Washer—plain—screw	PWZ204	101	8			
7	Washer—spring—screw	LWZ204	102	8			
8	Rivet—rubber seal to plate	BRP906	103	22			
9	Piping—rear wing	AFH1698	104	2			
10	Cover plate—heater aperture	AHH5252	105	1			
11	Gasket—heater sealing	AHH5253	106	2			
12	Screw—cover plate	PMZ0310	107	8			
13	Washer—spring—screw	LWZ203	108	8			
14	Grommet—blanking heater valve control hole	4G2541	109	1			



SERVICE PARTS LIST

THE MGA 1600

Item No.	DESCRIPTION	Commencing (C) 68851		Quantity	MODIFICATIONS		REMARKS
		Part Number	Illus. No.		New Part Number	Change Point	
	Body Shell—continued						
	COUPE						
1	Shell—body R.H.D.	AFH6588		1	AFH7488] Com. (C) 100352	AFH6588 not available; use AFH7488 AFH6589 not available; use AFH7489
2	Shell—body L.H.D.	AFH6589		1	AFH7489		
3	Front end assembly	AFH5485		1			
4	Panel assembly—bonnet surround	AFH3866	1	1			
5	Panel—bonnet surround	N.S.P.		1			
6	Front side assembly—R/H	AFH4896	2	1			
7	Front side assembly—L/H	AFH4897	3	1			
8	Bonnet surround reinforced	AFH3867	4	1			
9	Panel assembly—front bulkhead	AFH1524	5	1			
10	Panel—radiator duct	AFH900	6	1			
11	Box assembly—R/H air duct	AFH1502	7	1			
12	Box assembly—L/H air duct	AFH1503	8	1			
13	Strip—front bulkhead packing	AFH1794	9	1			
14	Tube—air duct	AFH1527	10	2			
15	Panel—front valance	AFH1896	11	1			
16	Screw fixing panel	AFH2587	12	14			
17	Washer—spring—screw	LWZ203	13	14			
18	Washer—plain—screw	PWZ203	14	8			
19	Washer plate for screw	AFH2546	15	0			
20	Bracket—bonnet lock safety catch	AFH1767	16	1			
21	Screw fixing bracket	AFH2587	17	2			
22	Washer—spring—screw	LWZ203	18	2			
23	Washer—plain—screw	PWZ203	19	2			
24	Panel assembly—bonnet lid	AFH4880	20	1			
25	Catch assembly—safety	14A366	21	1			
26	Batten—bonnet lid stiffening	AFH4879	22	1			
27	Tonneau assembly	AFH6650		1			
28	Tonneau sub-assembly	AFH3879		1			
29	Tonneau panel	AFH3881	23	1			
30	Floor assembly—boot	AFH6651	24	1			
31	Dzus spring	7H9828	25	2			
32	Reinforcement assembly—tonneau	AFH3880	26	1			
33	Panel assembly—rear bulkhead	AFH6627	27	1			
34	Panel assembly—battery cover	AFH1668	28	1			
35	Dzus fastener	7H9827	29	2			
36	Screw—rear bulkhead panel	PMZ0808	30	2			
37	Nut—screw	FNZ108	31	2			
38	Washer—spring—screw	LWZ203	32	2			
39	Bracket assembly—spare wheel	AFH16639	33	1			
40	Nut—bracket	FNZ104	34	2			
41	Washer—spring—nut	LWZ204	35	2			
42	Washer—plain—nut	PWZ104	36	2			
43	Nut—dome—set belt fixing			4	14B2685] Com. (C) 100352	
44	Washer—spring—nut			4	LWZ205		
45	Washer—plain—nut			4	PWZ105		
46	Lid assembly—boot	AFH1577	37	1			

SERVICE PARTS LIST

THE MGA 1600

Item No.	DESCRIPTION	Commencing (C) 68851		Quantity	MODIFICATIONS		REMARKS
		Part Number	Illus. No.		New Part Number	Change Point	
	Body Shell—Coupé—continued						
1	Sill reinforcement and pillar assembly—R/H	AFH3882	38	1			
2	Sill reinforcement and pillar assembly—L/H	AFH3883	39	1			
3	Shut pillar assembly—R/H	AFH3780	1	1			
4	Shut pillar assembly—L/H	AFH3781	1	1			
5	Panel—sill—inner—R/H	AFH1656	40	1			
6	Panel—sill—inner—L/H	AFH1657	41	1			
7	Plate—sill—sealing—R/H	AFH1658	42	1			
8	Plate—sill—sealing—L/H	AFH1659	43	1			
9	Panel—sill—outer—R/H	AFH2624	44	1			
10	Panel—sill—outer—L/H	AFH2625	45	1			
11	Panel—R/H shut pillar—facing	AFH3786	46	1			
12	Panel—L/H shut pillar—facing	AFH3787	47	1			
13	Screw—facing panel—side	RMZ0310	48	4			
14	Screw—facing panel—bottom	RTZ804	49	4			
15	Pillar reinforcement—windscreen—R/H	AFH4466	50	1			
16	Pillar reinforcement—windscreen—L/H	AFH4467	51	1			
17	Roof assembly	AFH4748	52	1			
18	Panel assembly—roof	AFH4464	53	1			Not available; use AFH4748
19	Reinforcement assembly—roof panel	AFH4465	54	1			
20	Dripway—door opening—R/H	AFH4482	55	1			
21	Dripway—door opening—L/H	AFH4483	56	1			
22	Rivet—dripway to roof panel	AFH5453	57	52			
23	Finisher—sill—lower	AFH3752	58	2			
24	Bolt—sill finisher (special)	AFH3753	59	10			
25	Nut—bolt	FNZ103	60	10			
26	Lockwasher—nut	LWZ403	61	10			
27	Washer—plain—nut	PWZ203	62	10			Part No. change; was AJD762 PWZ203 correction; was RWZ203
28	Door assembly—R/H	AFH4806	63	1			
29	Door assembly—L/H	AFH4807	64	1			
30	Door assembly—R/H	AFH3884	1	1			
31	Door assembly—L/H	AFH3885	1	1			
32	Hinge—door	AFH5832	67	4			
33	Packing—door hinge	AFH5827	68	A/R			
34	Plate—tapping	AFH1464	69	4			
35	Screw—fixing hinge	CMZ0412	70	32			
36	Washer—plain—screw	PWZ204	71	16			
37	Washer—spring—screw	LWZ204	72	16			
38	Nut—screw	FNZ104	73	16			

SERVICE PARTS LIST

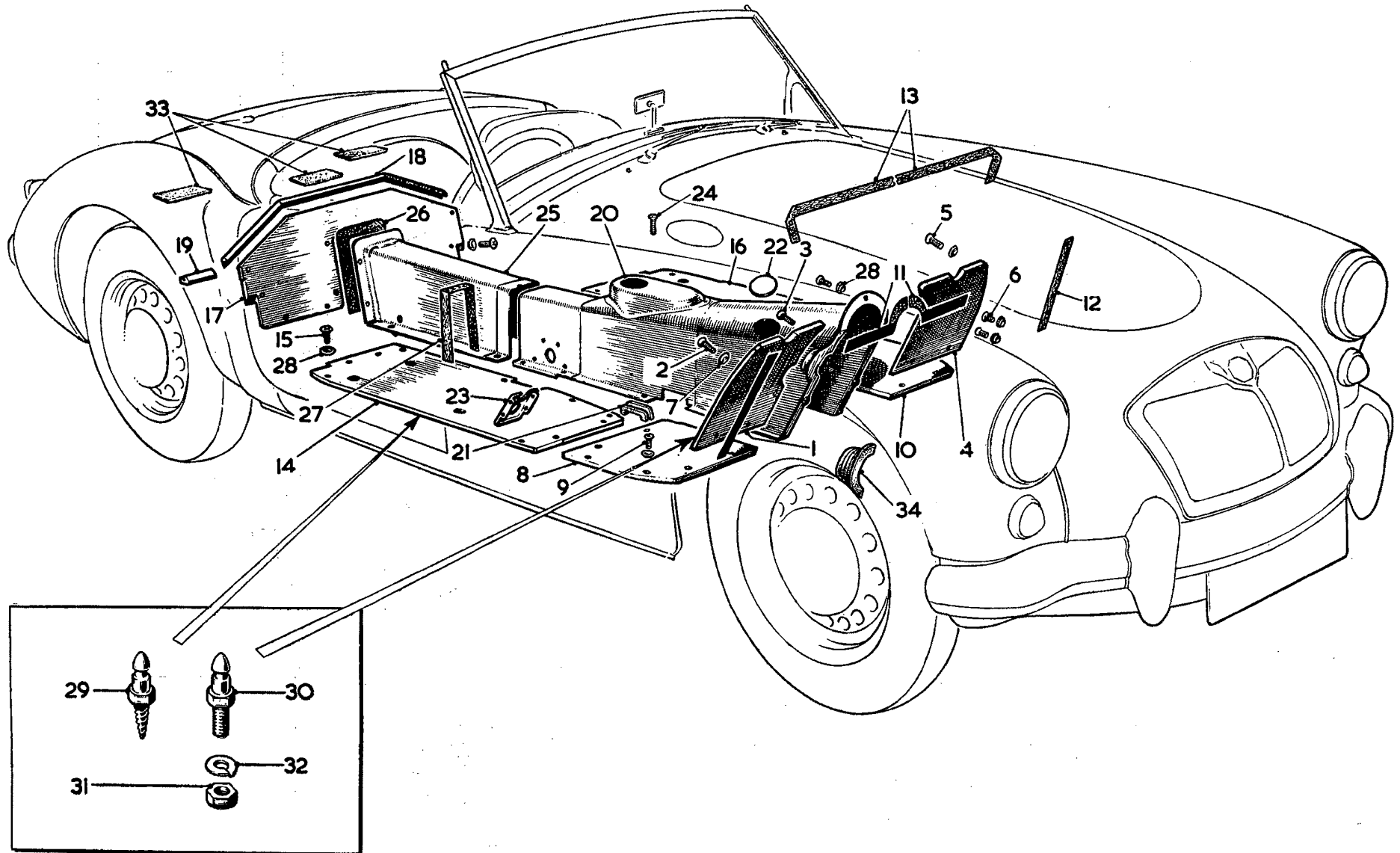
THE MGA 1600

Item No.	DESCRIPTION	Commencing (C) 68851		Quantity	MODIFICATIONS		REMARKS
		Part Number	Illus. No.		New Part Number	Change Point	
	Body Shell—Coupé—continued						
1	Wing assembly—R/H front	AFH6618	74	1			
2	Wing assembly—L/H front	AFH6619	75	1			
3	Screw—front wing to body	HZS0505	76	21			
4	Screw—front wing to body	HZS0510	77	5			
5	Washer—plate—screw	AFH2627	78	22			
6	Washer—plain—screw	PWZ205		2			
7	Washer—plain—screw	PWZ105	79	2			
8	Washer—spring—screw	LWZ205	80	26			
9	Screw—front wing to sill	AFH2587	81	6	53K126		AFH2587 not available; use 53K126
10	Washer—spring—screw	LWZ203	82	6			
11	Washer—plate—screw	AFH2546	83	6			
12	Packing—front wing	AFH3840		2			
13	Splash plate—R/H front wing	AFH1702	84	1			
14	Splash plate—L/H front wing	AFH1703	85	1			
15	Screw—fixing plate	HZS0405	86	4			
16	Washer—plain—screw	PWZ204	87	4			
17	Washer—spring—screw	LWZ204	88	4			
18	Screw fixing splash plate	AFH2587		2	53K126		AFH2587 not available; use 53K126
19	Nut—screw	FNZ103		2			
20	Washer—plate—screw	AFH2546		2			
21	Washer—spring—nut	LWZ203		2			
22	Screw fixing splash plate	HZS0405		12			
23	Washer—spring—screw	LWZ204		12			
24	Washer—plain—screw	PWZ204		12			
25	Bracket assembly—splash plate	AFH1700	89	2			
26	Seal—R/H front splash plate (rubber)	AFH1701		1			
27	Seal—L/H front splash plate (rubber)	AFH1711	90	1			
28	Piping—front wing	AFH1692	91	2			
29	Wing assembly—R/H rear	AFH4480	92	1	AFH7478		AFH4480 not available; use AFH7478
30	Wing assembly—L/H rear	AFH4481	93	1	AFH7479	Com. (C) 100352	AFH4481 not available; use AFH7479
31	Screw—rear wing to body	HZS0508	94	22			
32	Washer—plate—screw	AFH2627	95	20			
33	Washer—plain—screw	PWZ205	96	2			
34	Screw—rear wing to sill	AFH2587	97	1	53K126		AFH2587 not available; use 53K126
35	Washer—plain—screw	PWZ203	98	4			
36	Washer—spring—screw	LWZ203	99	4			
37	Washer—plate—screw	AFH2546	100	4			

SERVICE PARTS LIST

THE MGA 1600

Item No.	DESCRIPTION	Commencing (C) 68851		Quantity	MODIFICATIONS		REMARKS
		Part Number	Illus. No.		New Part Number	Change Point	
	Body Shell—Coupé—continued						
1	Splash plate—rear wing—front—R/H	AFH4782		1			
2	Splash plate—rear wing—front—L/H	AFH4783	101	1			
3	Screw fixing plate	PTZ604	102	4			
4	Screw fixing plate	HZS0405	103	4			
5	Washer—plain—screw	PWZ204	104	4			
6	Washer—plain—screw	PWZ104	105	4			
7	Washer—spring—screw	LWZ204	106	4			
8	Nut—screw	FNZ104	107	4			
9	Seal—R/H rear splash plate (rubber)	AFH4784	108	1			
10	Seal—L/H rear splash plate (rubber)	AFH4785		1			
11	Splash plate—rear wing—rear—R/H	AFH1704	109	1			
12	Splash plate—rear wing—rear—L/H	AFH1705		1			
13	Screw fixing plate	HZS0405	110	8			
14	Washer—plain—screw	PWZ204	111	8			
15	Washer—spring—screw	LWZ204	112	8			
16	Rivet—rubber seal to plate	BRP906	113	22			
17	Piping—rear wing	AFH1698	114	2			
18	Cover plate—heater aperture	AHH5252	115	1			
19	Gasket—heater sealing	AHH5253	116	2			
20	Screw—cover plate	PMZ0810	117	8			
21	Washer—spring—screw	LWZ208	118	8			
22	Grommet—blanking heater valve control hole	4G2541	119	1			

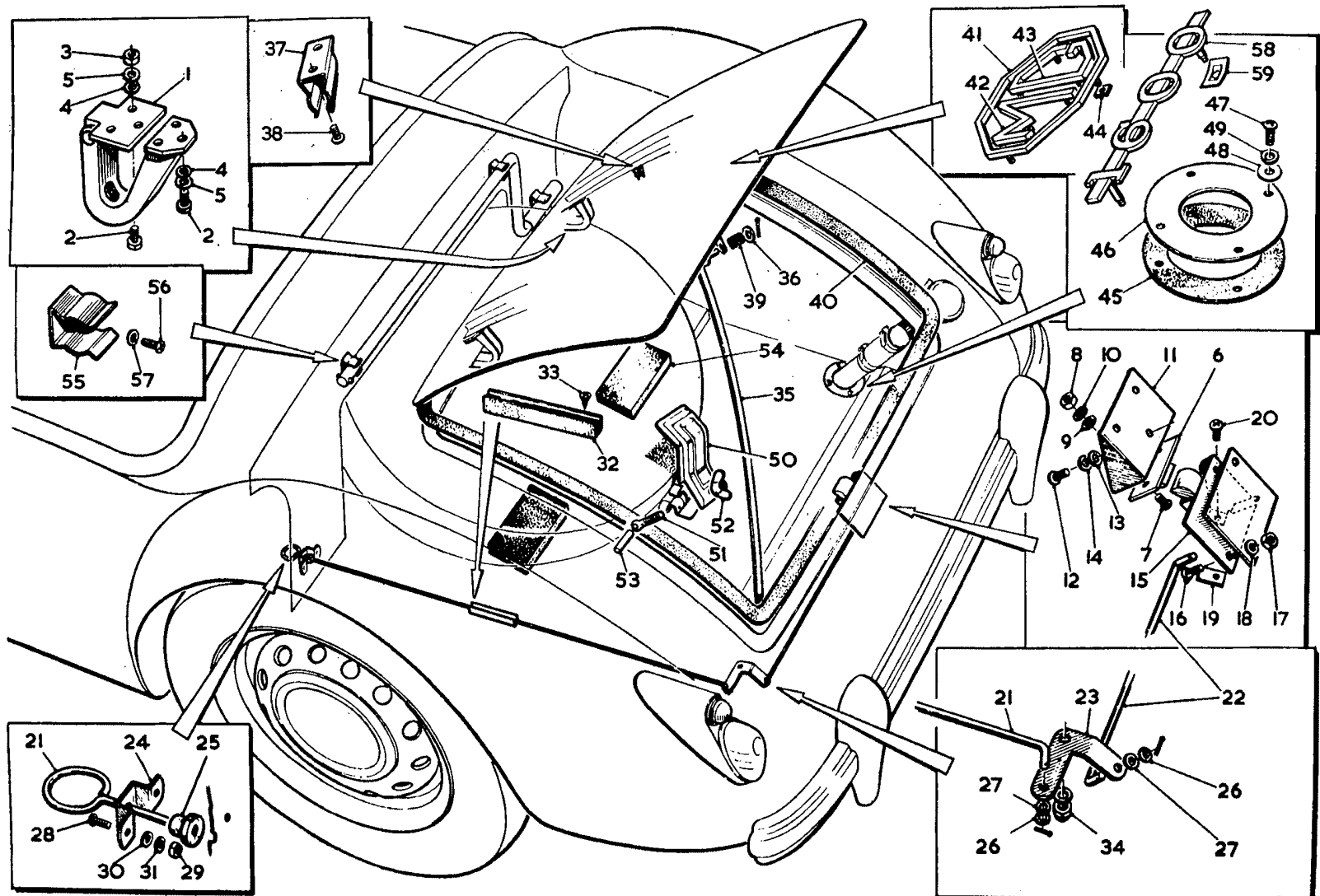


A3064A

SERVICE PARTS LIST

THE MGA 1600

Item No.	DESCRIPTION	Commencing (C) 68851		Quantity	MODIFICATIONS		REMARKS
		Part Number	Illus. No.		New Part Number	Change Point	
	FLOORING—RAMPS—PROPELLER SHAFT TUNNEL— GEARBOX COVER						
1	Toeboard—R/H	AHH5817	1	1			
2	Screw fixing toeboard	CMZ0416	2	5			
3	Screw fixing toeboard and speedometer cable clip—R/H	CMZ0420	3	3			
4	Toeboard—L/H	AHH5263	4	1			
5	Screw fixing toeboard	CMZ0416	5	4			
6	Screw blanking accelerator adjusting stop holes in toeboard—L/H						
7	Washer—cup—screw	CMZ0408	6	2			
8	Floorboard—front—R/H	ACA5374	7	2			
9	Screw fixing floorboard	AHH5208	8	1			
10	Floorboard—front—L/H	CMZ0416	9	8			
11	Screw fixing floorboard	AHH5209	10	1			
12	Seal—toeboard top (felt)	CMZ0416	11	7			
13	Seal—toeboard support	AHH5377	12	2			
14	Seal—toeboard support plate	AHH5378	13	2			
15	Floorboard—rear—R/H	AHH5379	14	1			
16	Screw fixing floorboard	AHH5205	15	12			
17	Floorboard—rear—L/H	CMZ0416	16	1			
18	Screw fixing floorboard	AHH5206	17	13			
19	Ramp—rear	CMZ0416	18	1			
20	Seal rear ramp centre (rubber)	AHH5207	19	1			
21	Seal—rear ramp outer (rubber)	AHH5455	20	2			
22	Screw fixing ramp	AHH5456	21	12			
23	Cover assembly—gearbox	CMZ0416	22	1			
24	Seal—gearbox cover (rubber)	AHH5815	23	2			
25	Grommet—dipstick hole	AHH5194	24	1			
26	Plate—gearbox cover cross brace	ACA5300	25	2			
27	Screw fixing gearbox cover to toeboard plate and front floorboard—L/H	AHH5226	26	2			
28	Tunnel—propeller shaft	CMZ0412	27	1	AHH6125	Com. (C) 100352	AHH5199 not available; use AHH6125
29	Seal—propeller shaft tunnel—rear (felt)	AHH5199	28	1			
30	Seal gearbox cover to tunnel (felt)	AHH5200	29	66			
31	Washer screw (countersunk)	AHH5340	30	12			Part No. change; was 94605
32	Screw floorboard carpet fixing	ACA5374	31	4			Part No. change; was 183500
33	Screw floorboard carpet fixing	LFP810	32	4			
34	Nut screw	AAA3679	33	3			
35	Washer spring—nut	AJD8012Z	34	4			
36	Packing rear floor boot	LWZ203	35	1			
37	Floorboard—R/H	AHH5180	36	1			
38	Floorboard—L/H	AHH5748	37	1			
39	Screw fixing floorboard	AHH5749	38	16			For use with de-luxe seats only
40	Cover starter motor (rubber)	CMZ0420	39	1			



A2986A

SERVICE PARTS LIST

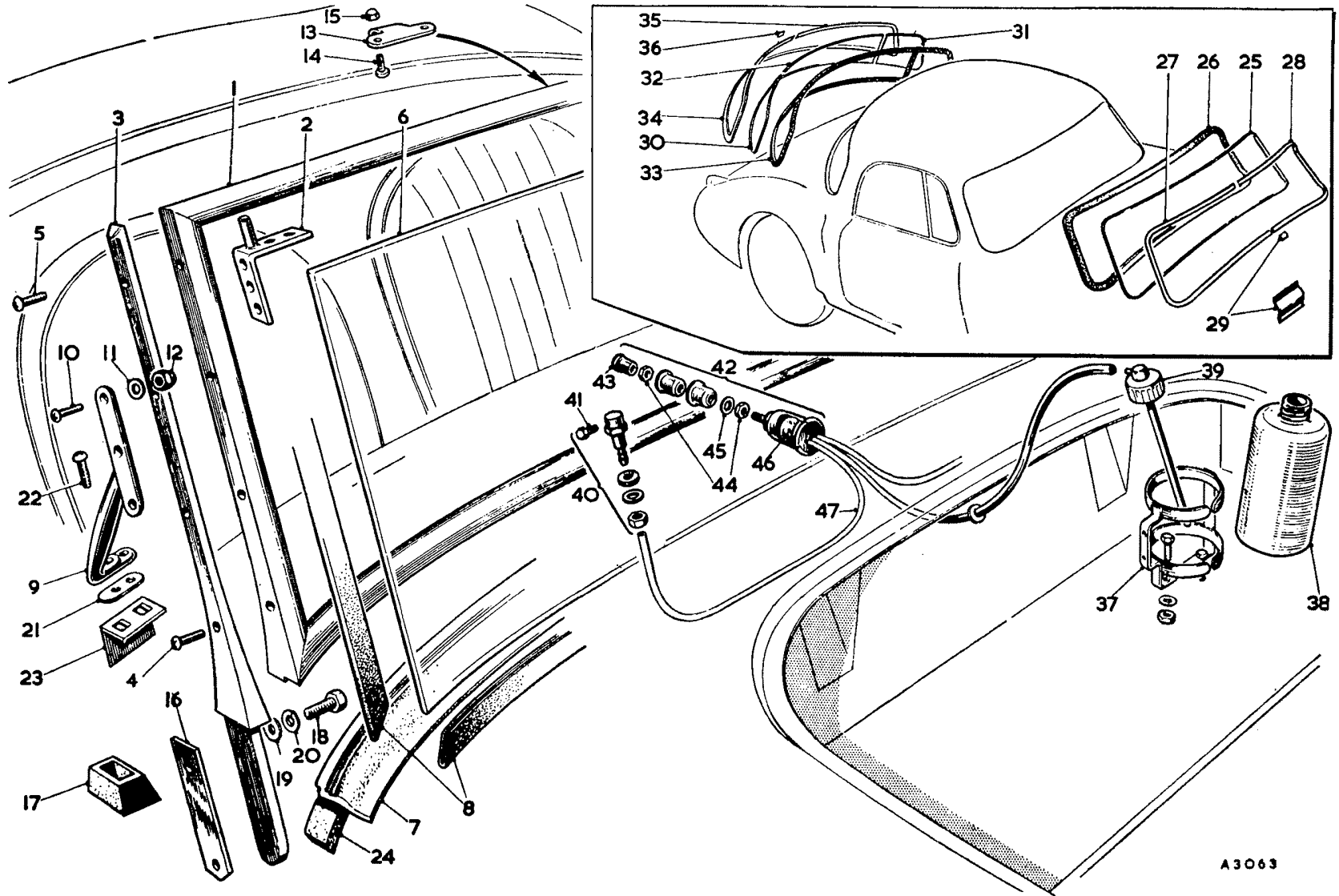
THE MGA 1600

Item No.	DESCRIPTION	Commencing (C) 68851		Quantity	MODIFICATIONS		REMARKS
		Part Number	Illus. No.		New Part Number	Change Point	
BOOT LID FITTINGS							
1	Hinge—boot lid—R/H	AFH1515	1	1			
2	Hinge—boot lid—L/H	AFH1514		1			
3	Screw fixing hinge	AFH2587	2	12	53K126		AFH2587 not available; use 53K126
4	Washer—plain—screw	PWZ203	3	12			
5	Washer—spring—screw	LWZ203	4	12			
6	Nut—screw	FNZ103	5	2			
7	Plate—boot lid striking	AFH1516	6	1			
8	Screw fixing plate	CMZ0310	7	2			
9	Nut—screw	FNZ103	8	2			
10	Washer—plain—nut	PWZ203	9	2			
11	Washer—spring—nut	LWZ203	10	2			
12	Bracket—striking plate	AFH1578	11	1			
13	Screw—fixing bracket	AFH2587	12	3	53K126		AFH2587 not available; use 53K126
14	Washer—plain—screw	PWZ203	13	3			
15	Washer—spring—screw	LWZ203	14	3			
16	Lock assembly—boot lid	AFH1519	15	1			
17	Screw fixing lock	PMZ0308	16	2			
18	Nut—screw	FNZ103	17	2			
19	Washer—spring—nut	LWZ203	18	2			
20	Packing—lock support bracket	AFH2622	19	1			
21	Screw fixing lock	PTZ603	20	1			
22	Rod—boot lock release—front	AFH1758	21	1			
23	Rod—boot lock release—rear	AFH1759	22	1			
24	Lever—book lock actuating	AFH1747	23	1			
25	Plate—release rod guide	AAA1882	24	1			Part No. change; was 133222
26	Grommet—release rod	AAA1881	25	1			Part No. change; was 133222
27	Washer—plain—release valve	PWZ203	26	3			
28	Washer—spring—release valve	AAA1514	27	3			Part No. change; was 128900
29	Screw fixing guide plate	PMZ0208	28	2			
30	Nut—screw	CNZ102	29	2			
31	Washer—plain—nut	PWZ202	30	2			
32	Washer—spring—nut	LWZ202	31	2			
33	Channel—release rod—retaining	AFH1789	32	1			
34	Screw—fixing channel	CTZ403	33	2			
35	Nut—actuating lever pivot	LNZ104	34	1			
36	Rod—boot lid support	AFH1756	35	1			
37	Washer—plain—support rod	PWZ105	36	1			
38	Clip—boot lid support rod	AAA1524	37	1			
39	Screw—fixing clip	PTZ603	38	2			Part No. change; was 128978
40	Spring—boot lid support rod	AAA2398	39	1			Part No. change; was 139282
41	Rubber—boot lid sealing	AFH1753	40	1			

SERVICE PARTS LIST

THE MGA 1600

Item No.	DESCRIPTION	Commencing (C) 68851		Quantity	MODIFICATIONS		REMARKS
		Part Number	Illus. No.		New Part Number	Change Point	
	Boot Lid Fittings—continued						
1	Surround—boot lid badge	AHH5261	41	1			
2	Letter 'M'	ADH2475	42	1			
3	Letter 'Q'	ADH2476	43	1			
4	Spire nut—surround and badge	PFS103	44	13			
5	Seal—petrol filler	AHH5260	45	1			
6	Plate—petrol filler seal cover	AHH5259	46	1			
7	Screw fixing seal and plate	PMZ0308	47	3			
8	Washer—screw (special)	AJD7212	48	3			
9	Washer—spring—screw	LWZ208	49	3			
10	Clamp—spare wheel	H7336	50	1			
11	Bolt—spare wheel clamp	AHH5349	51	1			
12	Nut—bolt (wing)	AHH5351	52	1			
13	Pin—spare wheel fixing cross	AHH5350	53	1			
14	Packing—spare wheel (felt)	AHH5459	54	2			
15	Clip—starting handle	ADB4825	55	3			
16	Screw fixing clip	PMZ0305	56	3			Part No. change; was 5843
17	Washer spring screw	LWZ208	57	3			
18	Motif '1600'	AHH15014	58	1		Fin. (C) 100351	
19	Motif '1600 Mk. II'			1	AHH16083	Com. (C) 100352	
20	Push on fix	BHA4082	59	2			



SERVICE PARTS LIST

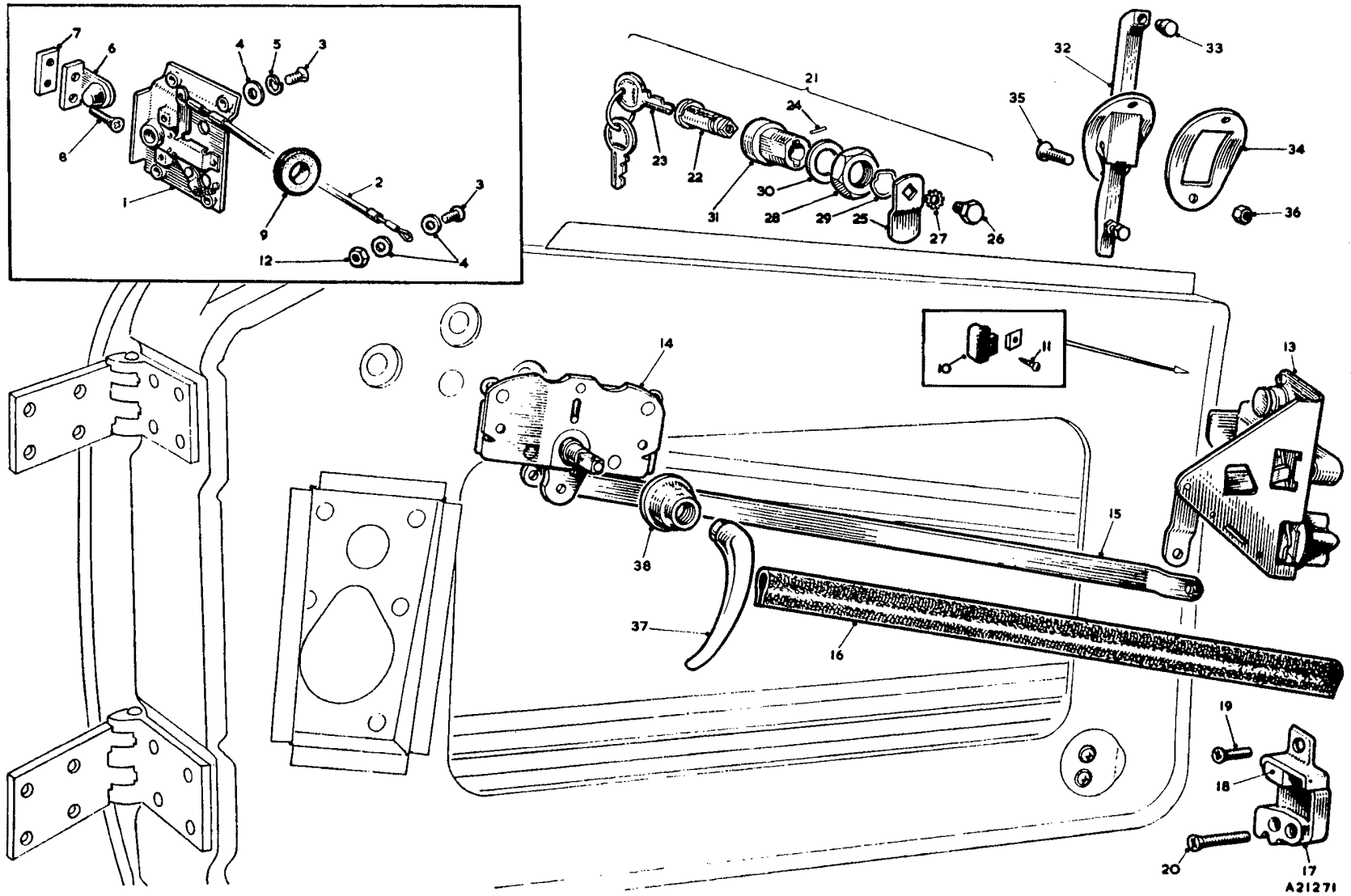
THE MGA 1600

Item No.	DESCRIPTION	Commencing (C) 68851		Quantity	MODIFICATIONS		REMARKS
		Part Number	Illus. No.		New Part Number	Change Point	
	WINDSCREEN						
1	Windscreen assembly	AFH6768		1			
2	Frame	AFH6769	1	1			
3	Peg—hood attachment—R/H	AFH2630	2	1			
4	Peg—hood attachment—L/H	AFH2631		1			
5	Stanchion—R/H	AFH1718	3	1			
6	Stanchion—L/H	AFH1719		1			
7	Screw fixing stanchion (long)	AJD2246C	4	2			
8	Screw fixing stanchion (short)	AJD2245C	5	6			
9	Glass—windscreen	AFH1720	6	1			
10	Apron (rubber)	AFH1721	7	1			
11	Rubber—glazing	AFH1724	8	1			
12	Handle—grab—R/H	AFH1722	9	1			
13	Handle—grab—L/H	AFH1723		1			
14	Screw fixing handle	CMP0307	10	6			
15	Washer—plain—screw	PWZ203	11	6			
16	Nut—screw (dome)	AFH2809	12	6			
17	Catch—hood centre	AFH6773	13	1			
18	Screw fixing catch	AFH5457	14	2			
19	Nut—screw	AFH5458	15	2			
20	Packing—stanchion (fibre)	AFH2547	16	A/R			
21	Grommet—stanchion to body	AFH1726	16	2			
22	Bolt—stanchion to body	HBZ0610	18	4			
23	Washer—plain—screw	PWZ106	19	4			
24	Washer—spring—screw	LWZ206	20	4			
25	Packing—grab handle	AFH1687	21	2			
26	Screw—grab handle to body ($\frac{3}{8}$ "	RMP0312	22	2			
27	Screw—grab handle to body (1"	RMP0316		2			
28	Reinforcement assembly—grab handle	AFH1787	23	2			
29	Packing—windscreen (rubber)	AFH2868	24	2			
30	Glass—windscreen	AFH3830	25	1			
31	Rubber—windscreen surround	AFH3831	26	1			
32	Finisher—windscreen surround—R/H	AFH2832	27	1			
33	Finisher—windscreen surround—L/H	AFH3833	28	1			
34	Joint piece—windscreen finisher	AFH3778	29	2			
	BACKLIGHT						
35	Glass—backlight—side—R/H	AFH3834	30	1			
36	Glass—backlight—side—L/H	AFH3835	31	1			
37	Glass—backlight—centre	AFH3836	32	1			
38	Rubber—backlight surround	AFH3837	33	1			
39	Finisher—backlight surround—R/H	AFH3838	34	1			
40	Finisher—backlight surround—L/H	AFH3839	35	1			
41	Jointing piece—backlight finisher	AFH3778	36	2			

SERVICE PARTS LIST

THE MGA 1600

Item No.	DESCRIPTION	Commencing (C) 68851		Quantity	MODIFICATIONS		REMARKS
		Part Number	Illus. No.		New Part Number	Change Point	
	WINDSCREEN WASHER						
1	Washer kit—windscreen.....	AHH5700		1	AHH5983	Com. (C) 80390	AHH5700 not available; use AHH5983
2	Bracket	7H9781	37	1			
3	Container—20 oz. (1½" neck).....	7H9779	38	1] Fin. (C) 80389	Not available; use 13H277 with 37H9716
4	Cap assembly 1½"	7H9785	39	1			Not available; use 13H227 with 37H9716
5	Container—20 oz. (2 3/16" neck)	13H227		1			
6	Cap assembly—2 3/16"	37H9716		1			
7	Jet mounting assembly	13H231	40	2			Part. No. change; was 27H9622
8	Jet	27H9623	41	2			
9	Control assembly	27H9654	42	1	37H9730	Com. (C) 80390	27H9654 not available; use 37H9730
10	Knob	27H9625	43	1			
11	Back nut	27H9655	44	2			
12	Washer shakeproof.....	1WN406	45	1			
13	Bulb rubber.....	27H9626	46	1	27H9824	Com. (C) 80390	Part No. change; was 7H9782
14	Tubing	37H9708	47	A/R			Only available in multiples of feet



SERVICE PARTS LIST

THE MGA 1600

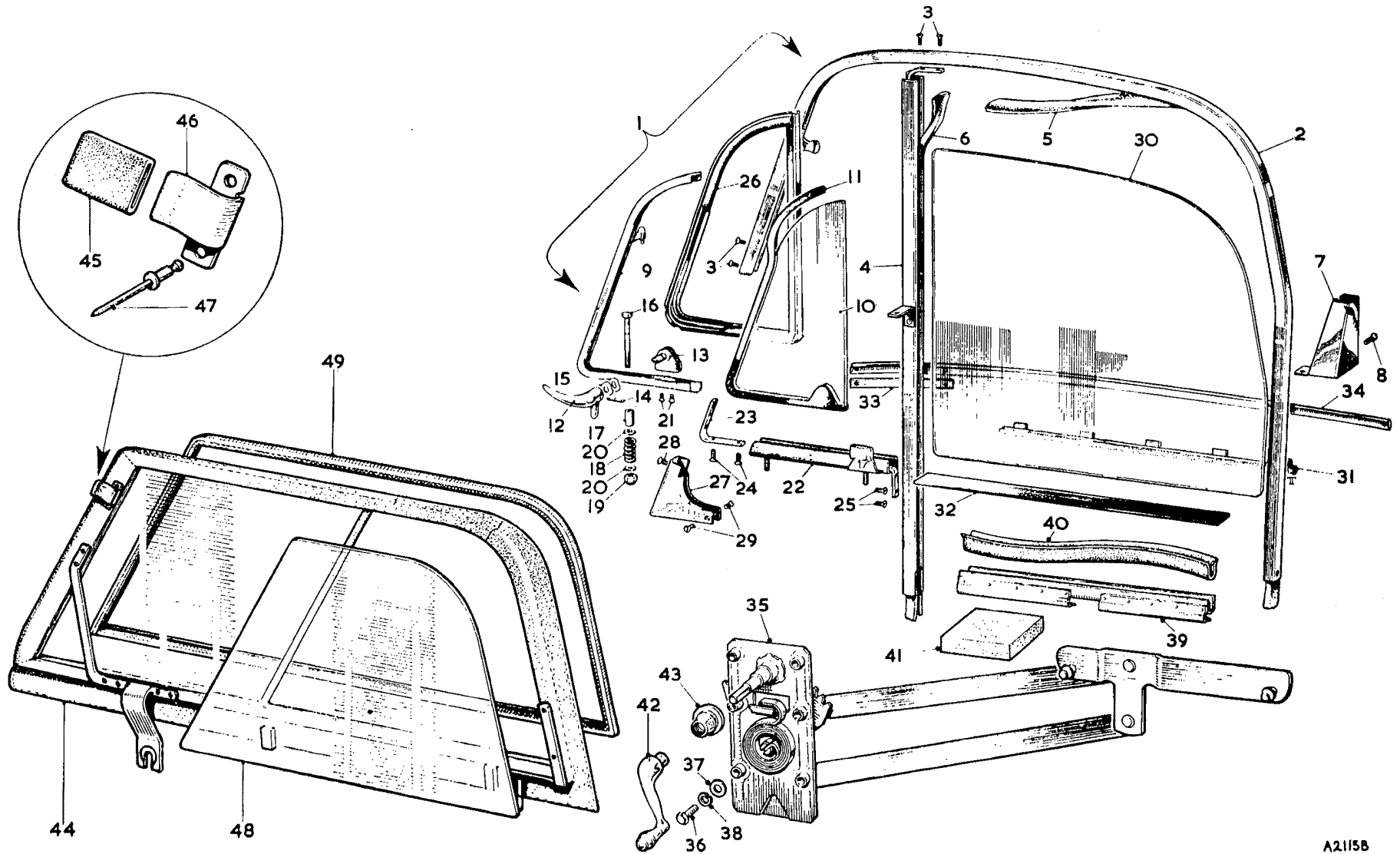
Item No.	DESCRIPTION	Commencing (C) 68351		Quantity	MODIFICATIONS		REMARKS
		Part Number	Illus. No.		New Part Number	Change Point	
DOOR FITTINGS							
1	Lock assembly—door—R/H	AFH1682	1	1			
2	Lock assembly—door—L/H	AFH1683		1			
3	Cable—operating	7H9958	2	2			
4	Screw fixing lock	PMZ0308	3	10			
5	Washer—plain—screw	PWZ203	4	10			
6	Washer—spring—screw	LWZ203	5	10			
7	Plate—striking	AFH1684	6	2			
8	Plate—striker tapping	AFH1685	7	2			
9	Screw fixing striker	CMZ0412	8	4			
10	Grommet—door lock release (rubber)	RFN110	9	2			
11	Buffer assembly—door	AAA5115	10	4			Part No. change; was MB19556
12	Screw fixing buffer	AJD2245ZP	11	4			
13	Nut—door lock cable	FNZ103	12	2			
14	Lock assembly—door—R/H	AFH3894		1			
15	Lock assembly—door—L/H	AFH3895		1			
16	Lock—R/H	17H9736	13	1			
17	Lock—L/H	17H9737		1			
18	Remote control mechanism—R/H	17H9738	14	1			
19	Remote control mechanism—L/H	17H9739		1			
20	Link—connecting	17H9740	15	2			
21	Sleeve—anti-rattle	17H9735	16	2			
22	Washer (rubber)	17H9742	39	4			
23	Rivet	17H9743	40	4			
24	Screw fixing lock	PMZ0306		14			
25	Washer—plain—screw	PWZ203		6			
26	Washer—spring—screw	LWZ203		6			
27	Washer—shakeproof—for screw	LWZ403		8			Part No. change; was AJD7623
28	Plate—striker—R/H	AFH3896	17	1			
29	Plate—striker—L/H	AFH3897		1			
30	Plate—striker tapping	AFH3792	18	2			
31	Screw fixing striker— $\frac{3}{8}$ "	CMZ0412	19	2			
32	Screw fixing striker— $\frac{1}{4}$ "	CMZ0420	20	4			

SERVICE PARTS LIST

THE MGA 1600

Item No.	DESCRIPTION	Commencing (C) 68851		Quantity	MODIFICATIONS		REMARKS
		Part Number	Illus. No.		New Part Number	Change Point	
	Door Fittings - continued						
1	Lock assembly—private	AFH3893	21	1			
2	Cylinder—lock with keys	24G1346	22	1			Part No. change; was 17H9745
3	Key	ANK4646	23	2			
4	Peg—retaining	17H9930	24	1			
5	Latch	17H9744	25	1			
6	Bolt—latch	AKC453	26	1			
7	Washer—bolt	LWN504	27	1			Part No. change; was 17H9741
8	Locknut	AKC455	28	1			
9	Washer (waved)	AKC454	29	1			
10	Washer—seating	AKC451	30	1			
11	Housing—lock	AKC458	31	1			
12	Handle—door	AFH3796	32	2			
13	Insert—door handle (rubber)	17H9989	33	2			
14	Washer—seating	AFH4513	34	2			
15	Screw fixing handle	RM10308	35	4			
16	Nut screw	LNZ203	36	4			
17	Handle—remote control	AD115482	37	2			
18	Escutcheon assembly handle	AD13709	38	2			

W



A2115B

SERVICE PARTS LIST

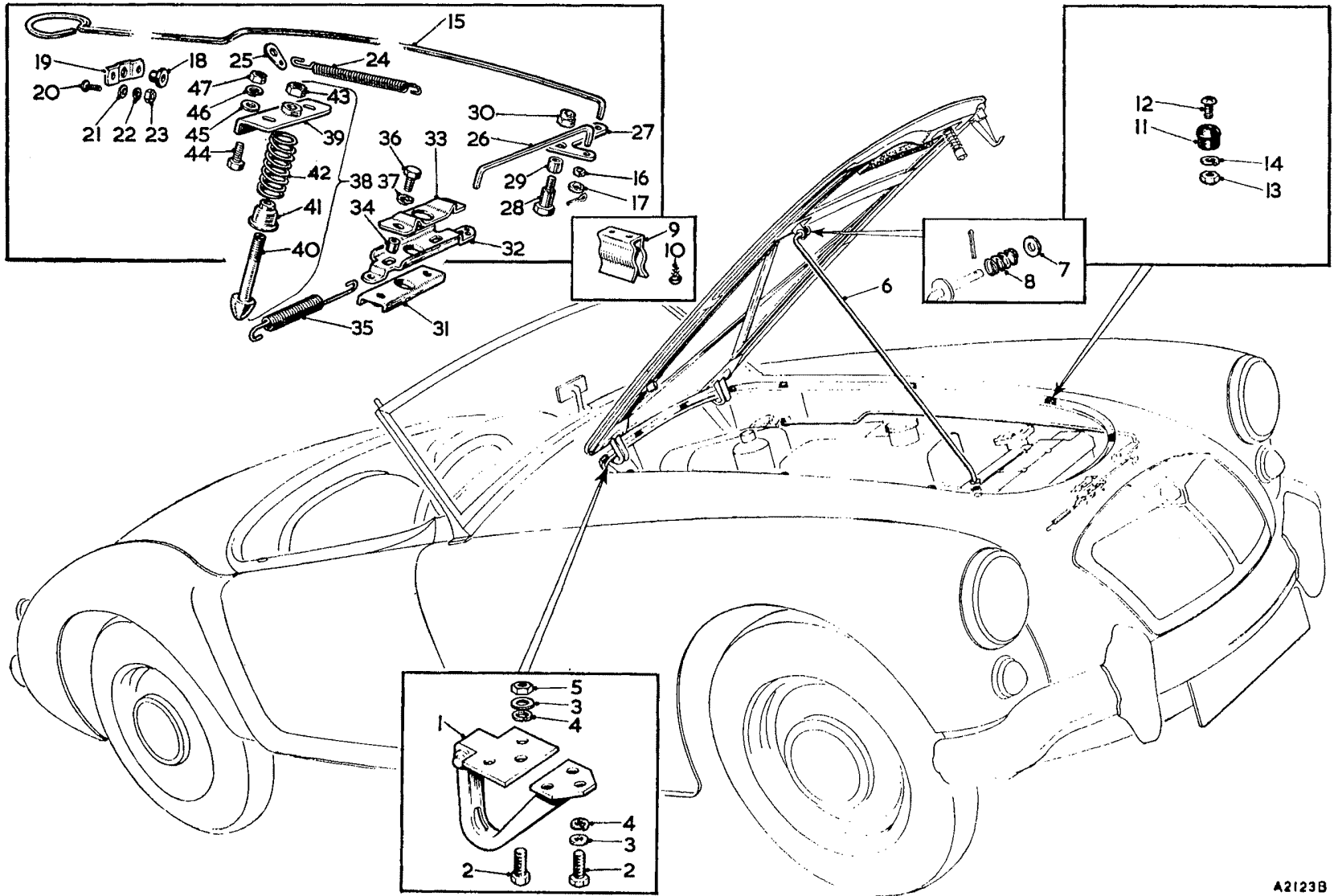
THE MGA 1600

Item No.	DESCRIPTION	Commencing (C) 68851		Quantity	MODIFICATIONS		REMARKS
		Part Number	Illus. No.		New Part Number	Change Point	
	WINDOWS						
	COUPE						
1	Frame and ventilator assembly—R/H	AFH3802	1	1			
2	Frame and ventilator assembly—L/H	AFH3803	1	1			
3	Channel assembly—R/H—surround	AFH4858	2	1			
4	Channel assembly—L/H—surround	AFH4859	1	1			
5	Screw fixing channel	RMP0204	3	4			
6	Channel assembly—R/H—vertical	AFH4860	4	1			
7	Channel assembly—L/H—vertical	AFH4861	1	1			
8	Strip—surround channel (felt)	AFH4862	5	2			
9	Strip—surround channel (felt)	AFH4863	6	2			
10	Blending piece—rear—R/H	AFH4864	7	1			
11	Blending piece—rear—L/H	AFH4865	2	2			
12	Screw fixing blending piece	17H9935	8	2			
13	Ventilator assembly—R/H	AFH4848	1	1			
14	Ventilator assembly—L/H	AFH4849	1	1			
15	Frame assembly—R/H	AFH4872	9	1			
16	Frame assembly—L/H	AFH4873	1	1			
17	Glass	AFH4847	10	2			
18	Strip—glazing	AFH4874	11	2			
19	Handle—locking—R/H	AFH6532	12	1			
20	Handle—locking—L/H	AFH6533	1	1			
21	Bracket—locking handle	AFH6531	13	2			
22	Pin—locking handle	AFH6534	14	2			
23	Washer—locking handle (waved)	AFH4875	15	4			
24	Bolt—vent pivot	AFH4876	16	2			
25	Sleeve—bolt	AFH4877	17	2			
26	Spring—bolt	AFH4878	18	2			
27	Nut—bolt	LNZ204	19	2	2K3975	Part number correction	1/4-26-BSF hex nut (not 1/4-28-UNF)
28	Washer—plain—nut	PWZ204	20	4			
29	Screw fixing bracket	CMF0204	21	4			
30	Channel—assembly—R/H—bottom	AFH4866	22	1			
31	Channel—assembly—L/H—bottom	AFH4867	1	1			
32	Bracket—corner front	AFH4868	23	2			
33	Screw fixing bracket—front	CMZ0204	24	8			
34	Screw fixing bracket—rear	CMZ0204	25	4			
35	Rubber—surround—R/H	AFH4870	26	1			
36	Rubber—surround—L/H	AFH4871	1	1			
37	Blending piece—front	AFH4869	27	2			
38	Screw fixing blending piece	17H9934	28	2	7H9914		17H9934 not available; use 7H9914
39	Screw fixing blending piece	17H9935	29	4			
40	Glass—door	AFH4453	30	2			
41	Weatherstrip—window frame	AFH4455	31	2			

SERVICE PARTS LIST

THE MGA 1600

Item No.	DESCRIPTION	Commencing (C) 68851		Quantity	MODIFICATIONS		REMARKS
		Part Number	Illus. No.		New Part Number	Change Point	
	Windows—Coupé—continued						
1	Weatherstrip—garnish rail	AFH4456	32	2			
2	Packing—weatherstrip finisher	AFH4569	33	2			
3	Finisher—weatherstrip—R/H	AFH4458	34	1			
4	Finisher—weatherstrip—L/H	AFH4459		1			
5	Regulator assembly—R/H	AFH3898	35	1			
6	Regulator assembly—L/H	AFH3890		1			
7	Screw fixing regulator	HZS0404	36	12			
8	Washer—plain—screw	PWZ204	37	12			
9	Washer—spring—screw	LWZ204	38	12			
10	Channel—glass lower	AFH8900	39	2			
11	Strip—glazing	AFH4454	40	2			
12	Buffer—door glass stop (rubber)	AFH4568	41	2			
13	Handle—window regulator	ADH5481	42	2			
14	Escutcheon assembly—handle	ABD709	43	2			
	SIDESCREENS TOURER						
15	Sidescreen assembly—R/H—Grey	AFH6612	44	1	AFH6896] Com. (C) 96260	AFH6612 not available; use AFH6896
16	Sidescreen assembly—L/H—Grey	AFH6613		1	AFH6897		AFH6613 not available; use AFH6897
17	Sidescreen assembly—R/H—Beige	AFH6798		1	AFH6898] Com. (C) 96806	AFH6798 not available; use AFH6898
18	Sidescreen assembly—L/H—Beige	AFH6799		1	AFH6899		AFH6799 not available; use AFH6899
19	Sidescreen assembly—R/H—Blue	AFH6800		1	AFH7450] Com. (C) 97104	AFH6800 not available; use AFH7450
20	Sidescreen assembly—L/H—Blue	AFH6801		1	AFH7451		AFH6801 not available; use AFH7451
21	Sleeve—front clip (rubber)	AFH6821	45	2			
22	Clip—sidescreen front	AFH6820	46	2			
23	Rivet—pop	37H9776	47	4			
24	Sliding sidescreen panel—R/H	AFH6814	48	1			
25	Sliding sidescreen panel—L/H	AFH6815		1			AFH6815 correction; was AFH6814
26	Silent channel	AFH6824	49	2			



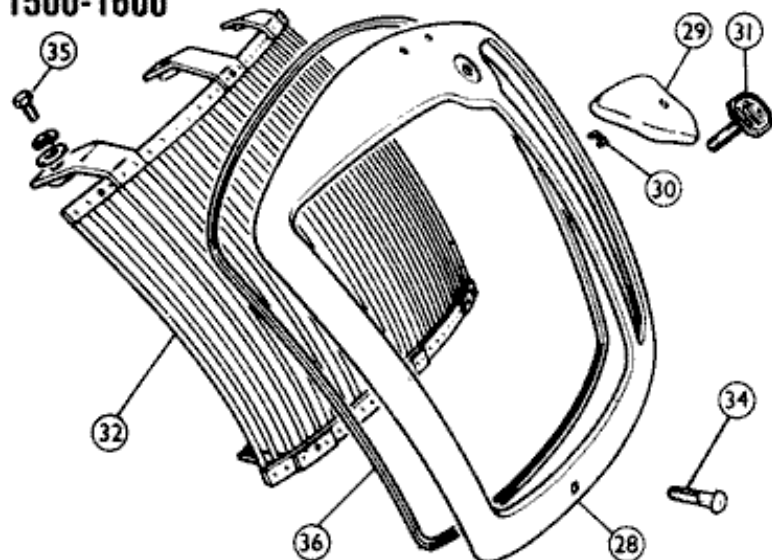
A2123B

SERVICE PARTS LIST

THE MGA 1600

Item No.	DESCRIPTION	Commencing (C) 68851		Quantity	MODIFICATIONS		REMARKS
		Part Number	Illus. No.		New Part Number	Change Point	
	BONNET FITTINGS						
1	Hinge—bonnet lid—R/H	AFH1514	1	1			
2	Hinge—bonnet lid—L/H	AFH1515		1			
3	Screw fixing hinge	AFH2587	2	12	53K126		AFH2587 not available; use 53K126
4	Washer—plain—screw	PWZ203	3	12			
5	Washer—spring—screw	LWZ203	4	12			
6	Nut—screw	FNZ103	5	2			
7	Rod—lid support	AFH1755	6	1			
8	Washer—plain—rod	PWZ105	7	1			
9	Spring—rod	AAA2398	8	1			Part No. change; was 139282
10	Clip—rod	AHH5460	9	1			
11	Screw fixing clip	PTZ603	10	2			
12	Buffer—bonnet lid	AAA4598	11	10			Part No. change; was 271601
13	Screw fixing buffer	PMZ0208	12	10			
14	Nut—screw	CNZ102	13	10			
15	Washer—spring—nut	LWZ202	14	10			
16	Rod—bonnet catch control	AFH1757	15	1			
17	Washer—spring—rod	AAA1514	16	3			Part No. change; was 12890
18	Washer—plain—rod	PWZ203	17	3			
19	Grommet—dash panel	AAA1881	18	1			Part No. change; was 133221
20	Plate—grommet retaining	AAA1882	19	1			Part No. change; was 133222
21	Screw fixing plate	PMZ0208	20	2			
22	Washer—plain—screw	PWZ202	21	2			
23	Washer—spring—screw	LWZ202	22	2			
24	Nut—screw	CNZ102	23	1			
25	Spring—anti-rattle	AAA788	24	1			Part No. change; was 95219
26	Plate—spring tension	ADA2463	25	1			
27	Rod—control	AAA1876	26	1			Part No. change; was 133213
28	Lever—control rod	AFH1654	27	1			
29	Bolt—lever pivot	AFH1655	28	1			
30	Tube—bolt distance	AFH1675	29	1			
31	Nut—bolt	LNZ103	30	1			
32	Support assembly—slider	ADH456	31	1			
33	Slider—bonnet catch	ADA461	32	1			
34	Plate—guide	ADA463	33	1			
35	Tube—distance	ADA464	34	2			
36	Spring—tension	ADA466	35	1			
37	Bolt fixing catch	HBZ0408	36	2			
38	Washer—spring—bolt	LWZ204	37	2			
39	Pin assembly—striker	AFH1739	38	1			
40	Bracket	ADH4869	39	1			
41	Pin	ADC2781	40	1	14A6586		ADC2781 not available; use 14A6586
42	Cup—spring retaining	ADA458	41	1			
43	Spring	14B2846	42	1			
44	Nut	FNZ206	43	1			
45	Screw fixing pin	HZS0405	44	2			
46	Washer—plain—screw	PWZ204	45	2			
47	Washer—spring—screw	LWZ204	46	2			
48	Nut—screw	FNZ104	47	2			

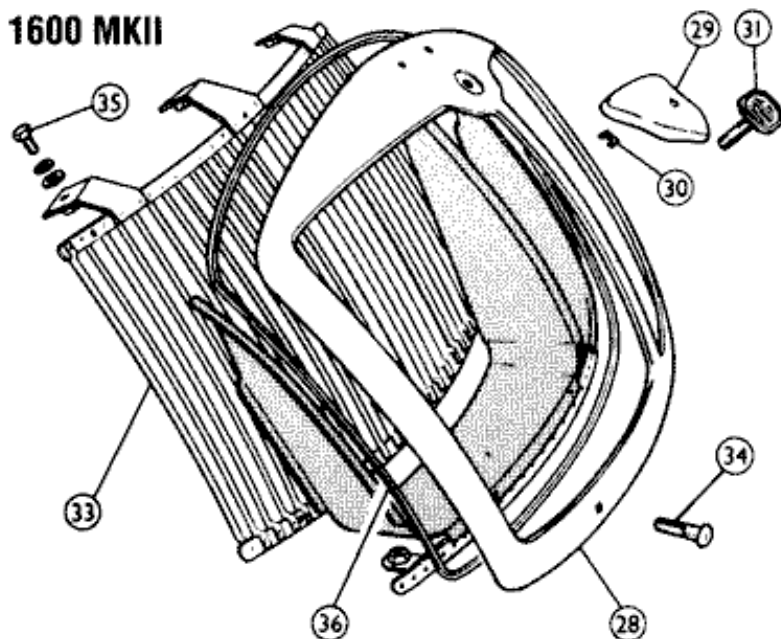
1500-1600

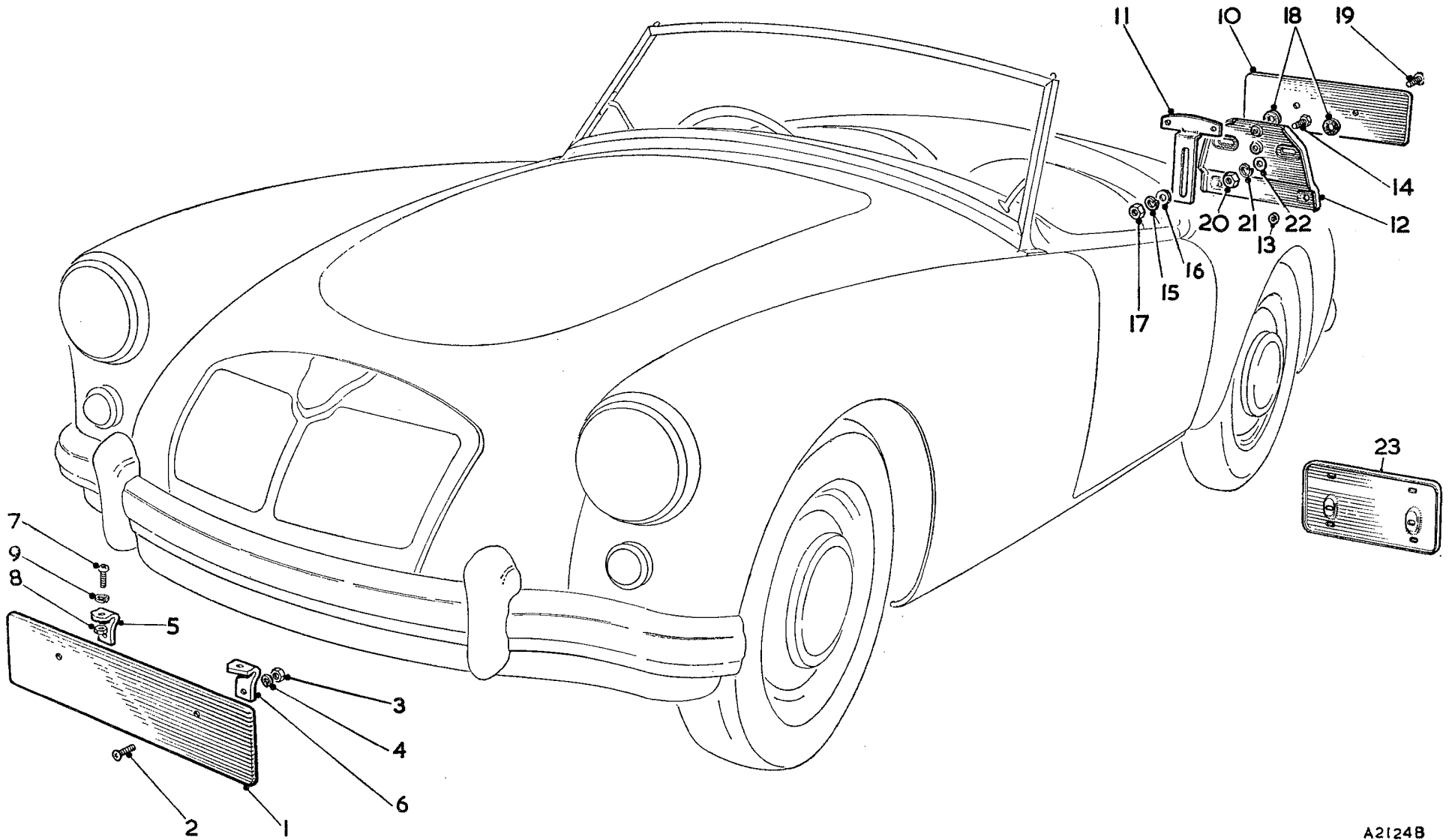


This page is added, was not part of the original SPL.

Item	Part No.	Description
	ARH52	SHELL & GRILLE, flat (1500-1600)
	ARH55	SHELL & GRILLE, recessed (MK-II)
28	ARH901	SHELL, fits both grilles
29	ARH902	FALSE NOSE
30	PFS106	SPEED NUT (false nose) (2 req'd)
31	ARH900	BADGE
32	ARH883	GRILLE, flat (1500-1600)
33	ARH1700	GRILLE, recessed (MkII)
34	ARH899	BOLT, grille to shell (2 req'd)
	GHF206	NUT (5 req'd)
35	SH604041	SCREW, grille to body (6 req'd)
36	AHH5179	GRILLE PIPING

1600 MKII



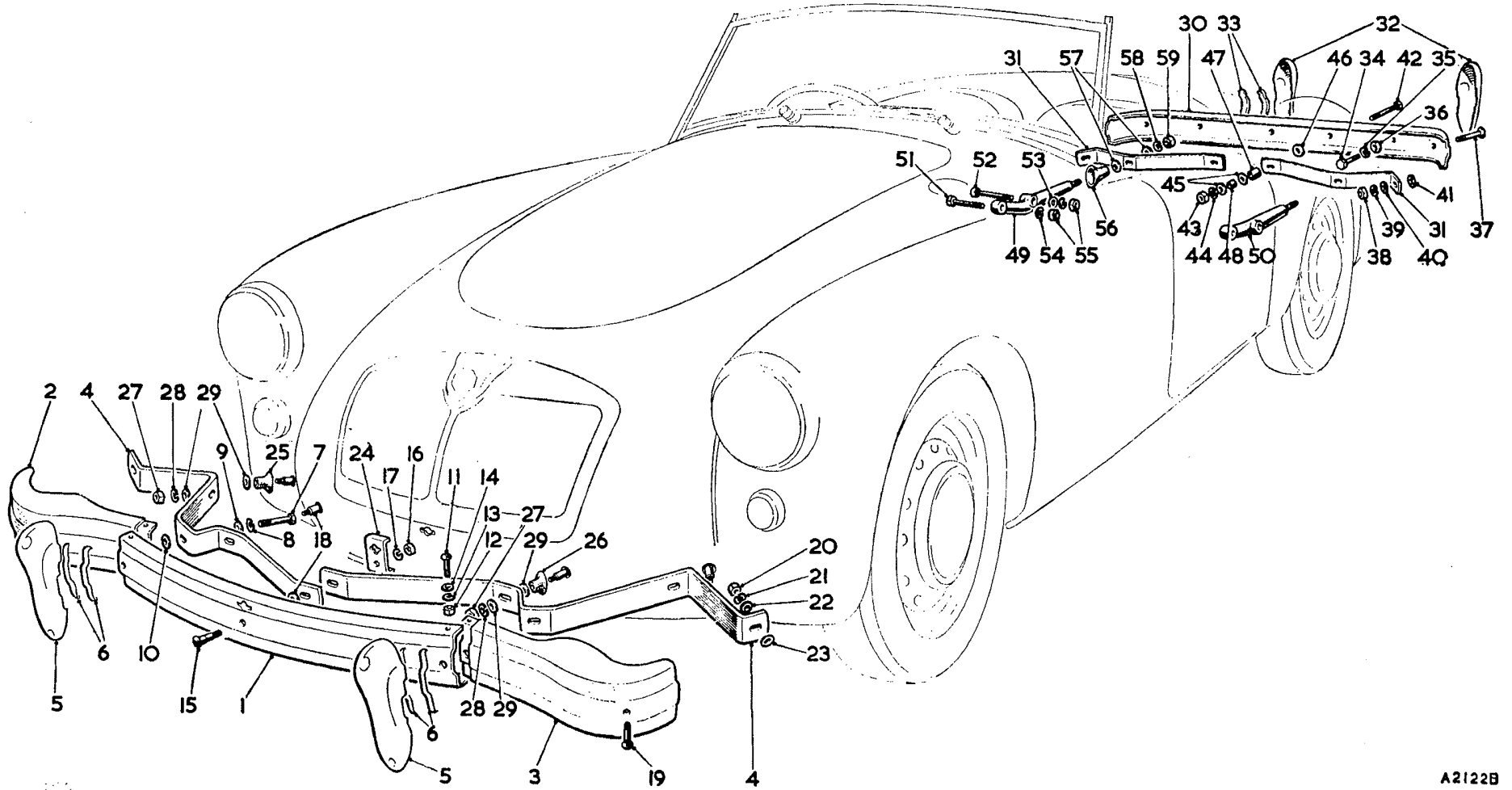


A2124B

SERVICE PARTS LIST

THE MGA 1600

Item No.	DESCRIPTION	Commencing (C) 68851		Quantity	MODIFICATIONS		REMARKS
		Part Number	Illus. No.		New Part Number	Change Point	
NUMBER PLATE AND FITTINGS							
1	Number plate—front	ALK3268	1	1			
2	Screw—plate to bracket	PMZ0410	2	2			Part No. change; was ACH5835
3	Nut—screw	FNZ105	3	2			
4	Washer—spring	LWZ204	4	2			
5	Bracket—number plate --R/H	AHH5161	5	1			
6	Bracket—number plate --L/H	AHH5162	6	1			
7	Screw—bracket to bumper	PMZ0408	7	2			
8	Nut—screw	FNZ104	8	2			
9	Washer—spring	LWZ204	9	2			
10	Number plate—rear	ADG474	10	1			
11	Bracket—lamp	AAA2179	11	1			Part No. change; was 186271
12	Bracket—number plate mounting	AHH5151	12	1			
13	Washer—number plate (rubber)	AAA5053	13	4			Part No. change; was 500946
14	Screw lamp bracket to mounting bracket	HZS0505	14	2			
15	Washer spring	LWZ205	15	2			
16	Washer plain	PWZ105	16	2			
17	Locknut screw	FNZ205	17	2			
18	Washer number plate to bracket (packing)	AHH5151	18	2			
19	Screw number plate to bracket	PMZ0410	19	2			
20	Nut screw	FNZ104	20	2			
21	Washer spring	LWZ204	21	2			
22	Washer plain	PWZ104	22	2			
23	Support—number plate	N. America AHA5211	23	1			



A2122B

SERVICE PARTS LIST

THE MGA 1600

Item No.	DESCRIPTION	Commencing (C) 68851		Quantity	MODIFICATIONS		REMARKS
		Part Number	Illus. No.		New Part Number	Change Point	
BUMPERS AND FITTINGS							
1	Bumper assembly—front	N.S.P.		1			
2	Bar—centre	AHH5474	1	1			
3	Bar—corner—R/H	AHH5486	2	1			
4	Bar—corner—L/H	AHH5487	3	1			
5	Spring—main	AHH5476	4	2			
6	Over-rider assembly	AHH5478	5	2			
7	Moulding (P.V.C.)	AHH5488	6	4			
8	Bolt—over-rider to bumper bar	HBZ0620	7	2			
9	Washer—spring—bolt	LWZ206	8	2			
10	Washer—plain—bolt	PWZ106	9	2			
11	Washer—special—bolt	AHH5494	10	2			
12	Bolt—corner bar to centre bar	IG9840	11	2			
13	Nut—bolt	FNZ105	12	2			
14	Washer—spring—nut	LWZ205	13	2			
15	Washer—special—nut	AHH5492	14	2			
16	Bolt—mainspring to centre bar	AHH5479	15	1	ACH9287		AHH5492 not available; use ACH9287
17	Nut—bolt	FNZ106	16	1			
18	Washer—spring—nut	LWZ206	17	1			
19	Washer—special—nut	AHH5494	18	1			
20	Bolt—mainspring to corner bar	IG9872	19	2			Part No. change; was AHH5480
21	Nut—bolt	FNZ106	20	2			
22	Washer—spring—nut	LWZ206	21	2			
23	Washer—plain—nut	PWZ106	22	2			
24	Washer—special—nut	AHH5494	23	2			
25	Bracket—starting handle	AHH5477	24	1			
26	Grommet—outer stud	AHH5163	25	2			
27	Grommet—inner stud	AHH5164	26	2			
28	Nut—bumper support stud	FNZ108	27	4			
29	Washer—spring—nut	LWZ208	28	4			
30	Washer—plain—nut	PWZ208	29	8			
31	Bumper assembly—rear	N.S.P.		1			
32	Bar—bumper	AHH5481	30	1			
33	Spring—main	AHH5482	31	2			
34	Over-rider assembly	AHH5478	32	2			
35	Moulding (P.V.C.)	AHH5488	33	4			
36	Bolt—over-rider to bumper bar	HBZ0616	34	2			
37	Washer—spring—bolt	LWZ206	35	2			
38	Washer—special—bolt	AHH5494	36	2			

SERVICE PARTS LIST

THE MGA 1600

Item No.	DESCRIPTION	Commencing (C) 08851		Quantity	MODIFICATIONS		REMARKS
		Part Number	Illus. No.		New Part Number	Change Point	
	Bumpers and Fittings—continued						
1	Bolt—mainspring to bar (outer).....	1G9872	37	2			Part No. change; was AHH5480
2	Nut—bolt	FNZ106	38	2			
3	Washer—spring—nut	LWZ206	39	2			
4	Washer—plain—nut	PWZ106	40	2			
5	Washer—special—nut	AHH5494	41	2			
6	Bolt—mainspring to bar (inner)	AHH5485	42	2			
7	Nut—bolt	FNZ106	43	2			
8	Washer—spring—nut	LWZ206	44	2			
9	Washer—plain—nut	PWZ206	45	1			
10	Washer—special—nut	AHH5494	46	2			
11	Distance piece—mainspring to bolt	AHH5483	47	2			
12	Distance tube—mainspring to bolt	AHH5484	48	2			
13	Bracket—rear bumper mounting—R/H	AHH5093	49	1			
14	Bracket—rear bumper mounting—L/H	AHH5094	50	1			
15	Bolt fixing bracket	HBZ0730	51	2			
16	Bolt fixing bracket	HBZ0732	52	2			
17	Washer—plain—bolt	PWZ107	53	2			
18	Washer—spring—bolt	LWZ207	54	4			
19	Nut—bolt	FNZ107	55	4			
20	Grommet—bracket (rubber)	AAA1045	56	2			
21	Washer—plain—bumper stud	PWZ208	58	4/2			
22	Washer—spring—bumper stud	LWZ208	59	2			
23	Nut—stud	FNZ108	59	2			
24	Distance piece—rear bumper			2	AHH6161	Fin. (C) 102380 ?	
25	Locknut—stud		57 ?	2	FNZ208	Com. (C) 102381	