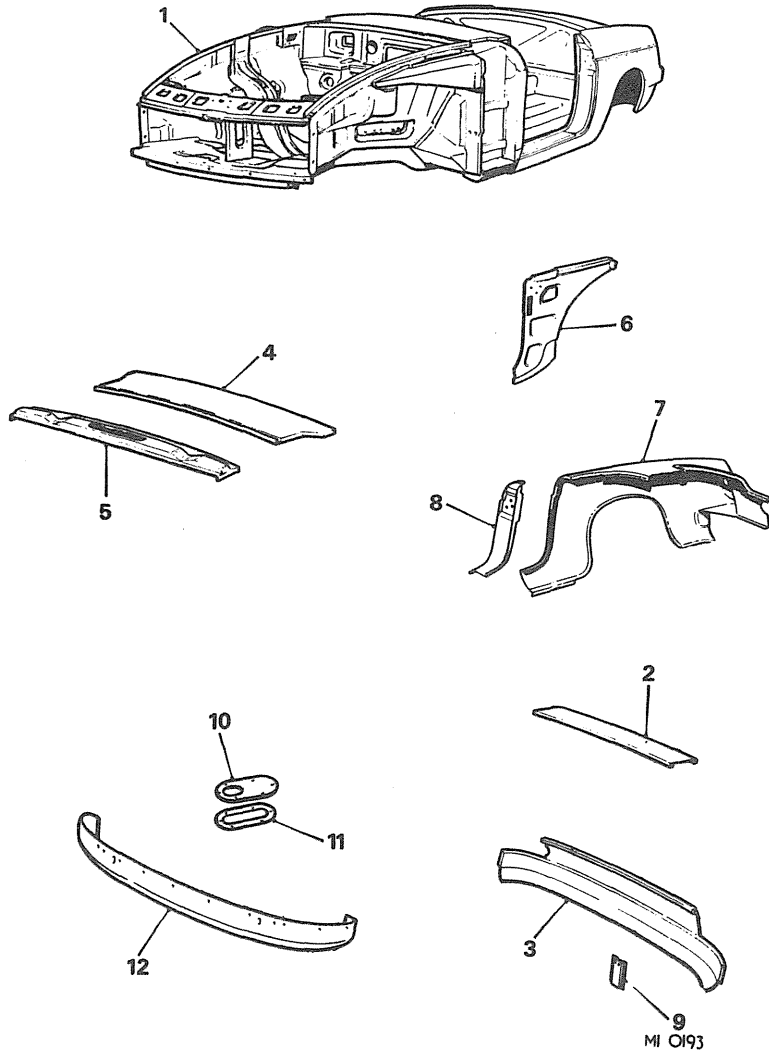
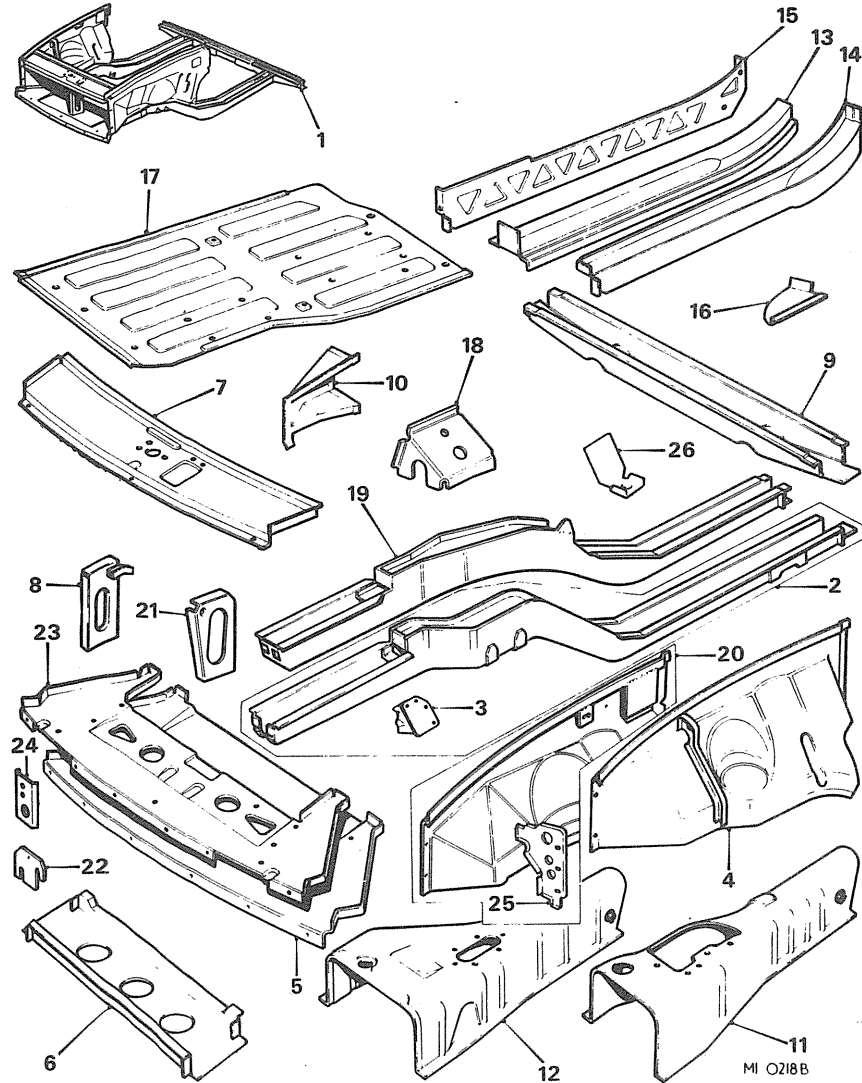


Ill. No.	Part No.	DESCRIPTION	Qty.	Change Point	REMARKS
<b>BODY SHELL-TOURER</b>					
<b>SHELL ASSEMBLY-BODY-PRIMED</b>					
1	HZA 4089	(Less doors,bonnet,boot lid,front wings and front fairing panel).....NLA			Use HZA 4243
1	HZA 4243	(Less door,bonnet,boot Lid,front wings,and front Fairing panel).....NLA		(C)G-HN4-138401 TO 187210-153877 (Canada) (C)G-HN5-187211 TO 360300	
1	HZA 4882	(Less doors,bonnet, boot lid,front wings and front fairing panel) \$.....NLA			Use HZA 5012
1	HZA 5012	(Less doors,bonnet, Boot lid,front wings,and Front fairing panel).....1		(C)G-HN5-360301 TO 386600	
1	HZA 5331	(less doors,bonnet,boot lid,front wings and front fairing panel) \$ .....1			Use HZA 5012
1	HZA 3402	(Less doors,bonnet,boot lid,front wings and front fairing panel) \$ .....1		(C)G-HN5-386601 TO 410000	
1	HZA 3817	(Less doors,bonnet,boot lid,front wings and front fairing panel) .....1			Use prior to HZA 3817
1	HZA 3817	(Less doors,bonnet,boot lid,front wings and front fairing panel) .....1		(C)G-HN4-158371 TO 187210 (C)G-HN5-187211 TO 219000	
2	HZA 133	Panel-rear decking .....1			Use prior to HZA 4850
3	HZA 548	Panel-body rear-lower.....1			
<b>HZA 4850 PANEL ASSEMBLY-BODY REAR-LOWER \$ .....1</b>					
9	HZA 470	Platform-boot lid striker .....1			Use prior to HZA 4929
4	HZA 480	Panel-shroud-top.....1			
4	HZA 4929	Panel-shroud-top.....1			(C)G-HN5-360301 TO 410000
5	HZA 162	Panel-reinforcement-shroud .....1			

\$ This item is subject to safety regulations.



Ill. No.	Part No.	DESCRIPTION	Qty.	Change Point	REMARKS
<b>BODY SHELL-TOURER-continued</b>					
6	HZA 586	Panel-rear quarter-RH.....	1		
	HZA 587	Panel-rear quarter-LH.....	1		
7	HZA 3922	Wing-rear(less 'B' post)-RH \$.....	NLA		Use prior to HZA 5000 and 5001
	HZA 3923	Wing-rear(less 'B' post)-LH \$.....	NLA		
7	HZA 4224	Wing-rear(less 'B' post)-RH.....	1		Use HZA 4224 Use HZA 4225
	HZA 4225	Wing-rear(less 'B' post)-LH.....	1		
7	HZA 5000	Wing-rear(less 'B' post)-RH.....	1		(C)G-HN5-360301 TO 410000
	HZA 5001	Wing-rear(less 'B' post)-LH.....	1		
	HZA 582	Panel-'B' post-RH.....	1		(C)G-HN5-294251 TO 410000
	HZA 583	Panel-'B' post-LH.....	1		
8	HZA 4156	Panel-'B' post-RH.....	1		American markets
	HZA 4157	Panel-'B' post-LH.....	1		
8	HZA 444	Panel-'B' post-RH.....	1		Use with doors HZA 597/598.
	HZA 445	Panel-'B' POST-LH.....	1		
	HZS 404	Screw.....	11		(C)G-HN3-101 TO 138400
	LWZ 204	Washer-spring.....	11		
10	HZA 1431	Cover-gearbox-remote control.....	NLA		(C)G-HN4-138401 TO 18721
11	AHC 188	Seal-cover.....	NLA		
	PMZ 408	Screw.....	3		(C)G-HN5-187211 TO 410000
	LWZ 204	Washer-spring.....	3		
12	HZA 592	Panel-front fairing.....	1		Use prior HZA 4812 (C)G-HN5-360301 TO 410000
12	HZA 4812	Panel-front fairing.....	1		
	PWZ 204	Washer-plain.....	12		Not part of shell Assemblies
	LWZ 204	Washer-spring.....	12		
13	CZE 693	Plug-blanking-vent holes.....	2		
				(C)G-HN5- 258001 TO 410000	

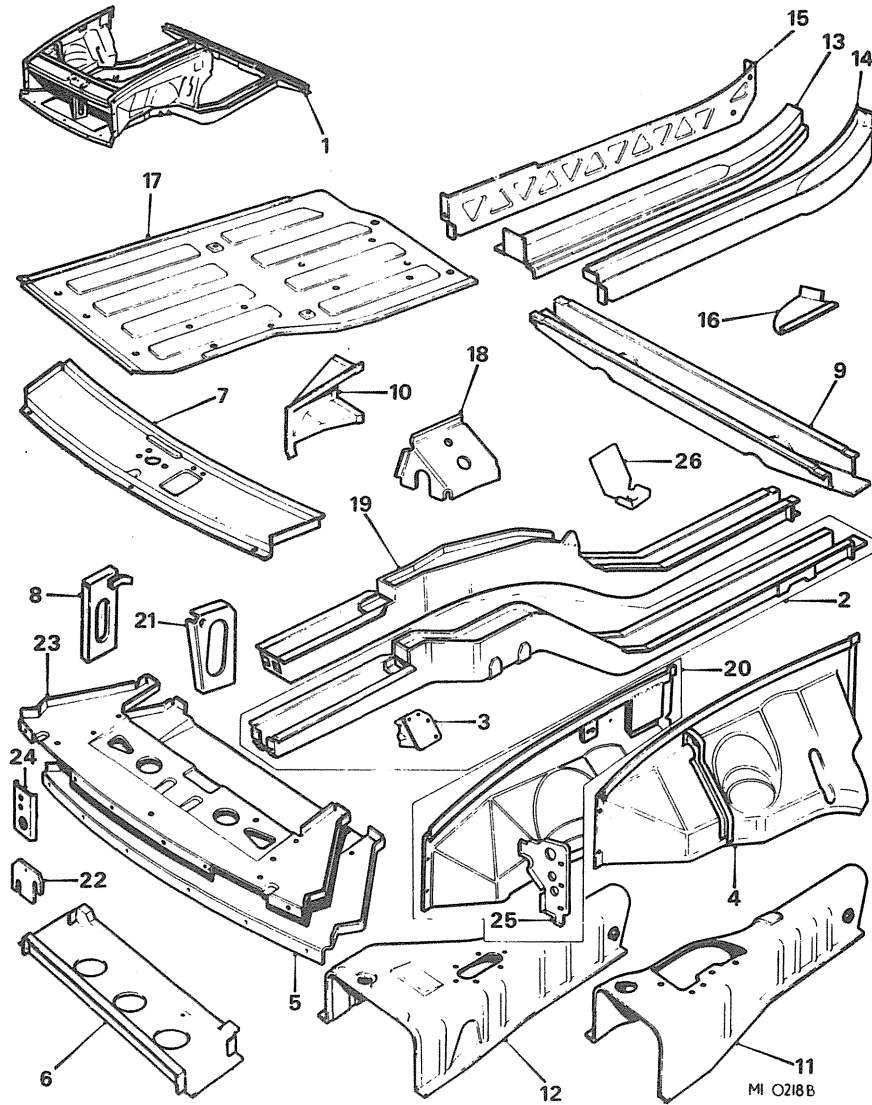


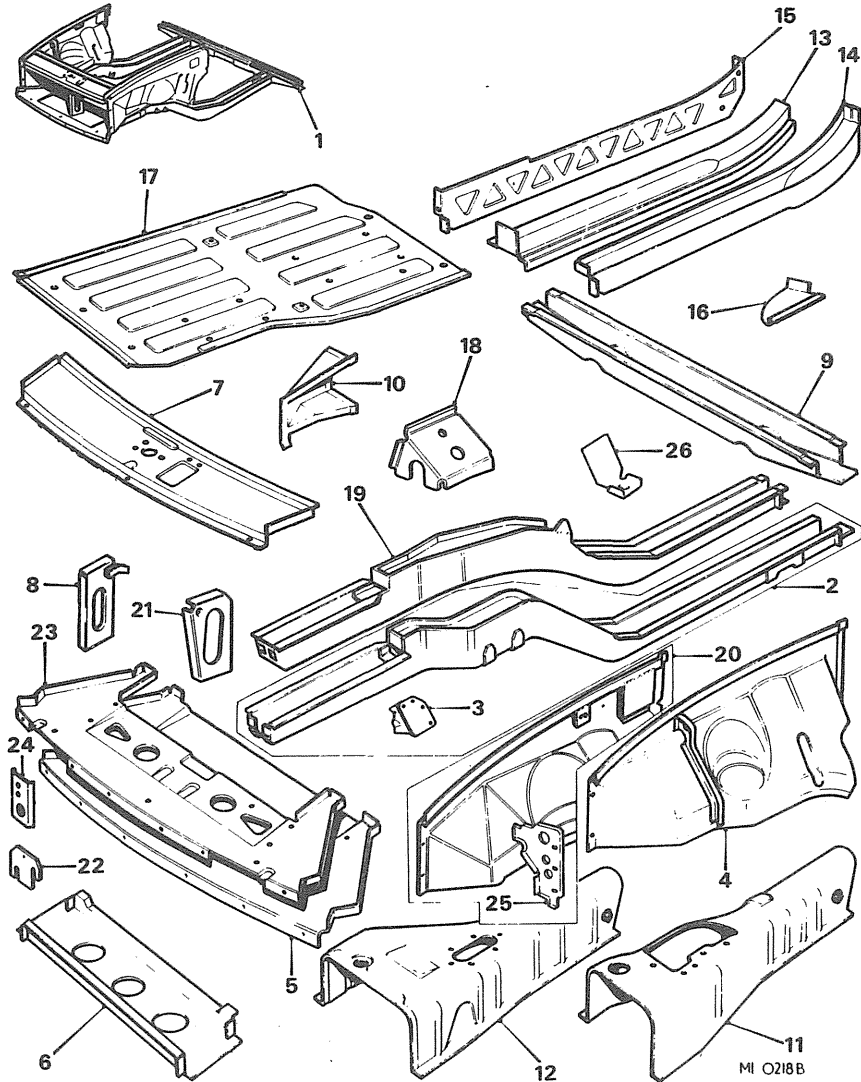
Ill. No.	Part No.	DESCRIPTION	Qty.	Change Point	REMARKS
<b>BODY SHELL-TOURER-continued</b>					
1	HZA 588	END ASSEMBLY-FRONT .....	1	(C)G-HN4-138401 TO 187210	
1	HZA 3993	END ASSEMBLY-FRONT \$ .....	1	(C)G-HN5-187211 TO 219000	
1	HZA 4968	END ASSEMBLY-FRONT \$ .....	1	(C)G-HN5-219001 TO 360300	
1	HZA 5330	END ASSEMBLY-FRONT \$ .....	1	(C)G-HN5-360301 TO 386600	
2	HZA 590	SIDEMEMBER ASSEMBLY-FRONT-RH \$ .....	1	(C)G-HN5-386601 TO 410000	
3	HZA 392	Bracket-front engine mounting-RH \$ .....	1	Use prior to (C)G-HN5-360301	
HZA 591	SIDEMEMBER ASSEMBLY-FRONT-LH \$ .....	1			
HZA 393	Bracket-front engine mounting-LH \$ .....	1			
4	HZA 420	Panel-Wheelarch-front-RH \$ .....	1		
HZA 4193	Panel-Wheelarch-front-LH \$ .....	1			
5	HZA 465	Panel-radiator duct .....	1		
6	HZA 171	Support-radiator duct .....	1		
7	HZA 388	Platform-bonnet locking .....	1		
8	HZA 461	Reinforcement-platform .....	1		
HZA 4966	SIDEMEMBER ASSEMBLY-FRONT RH \$ .....	1			
HZA 4967	SIDEMEMBER ASSEMBLY-FRONT LH \$ .....	1			
18	HZA 4504	Bracket-front engine mounting-RH \$ .....	1	(C)G-HN5-360301 TO 410000	
HZA 4505	Bracket-front engine mounting-LH \$ .....	1			
22	HZA 4818	Bracket-mounting-lower-front bumper-RH .....	1		
HZA 4819	Bracket-mounting-lower-front bumper-LH .....	1			

Ill. No.	Part No.	DESCRIPTION	Qty.	Change Point	REMARKS
----------	----------	-------------	------	--------------	---------

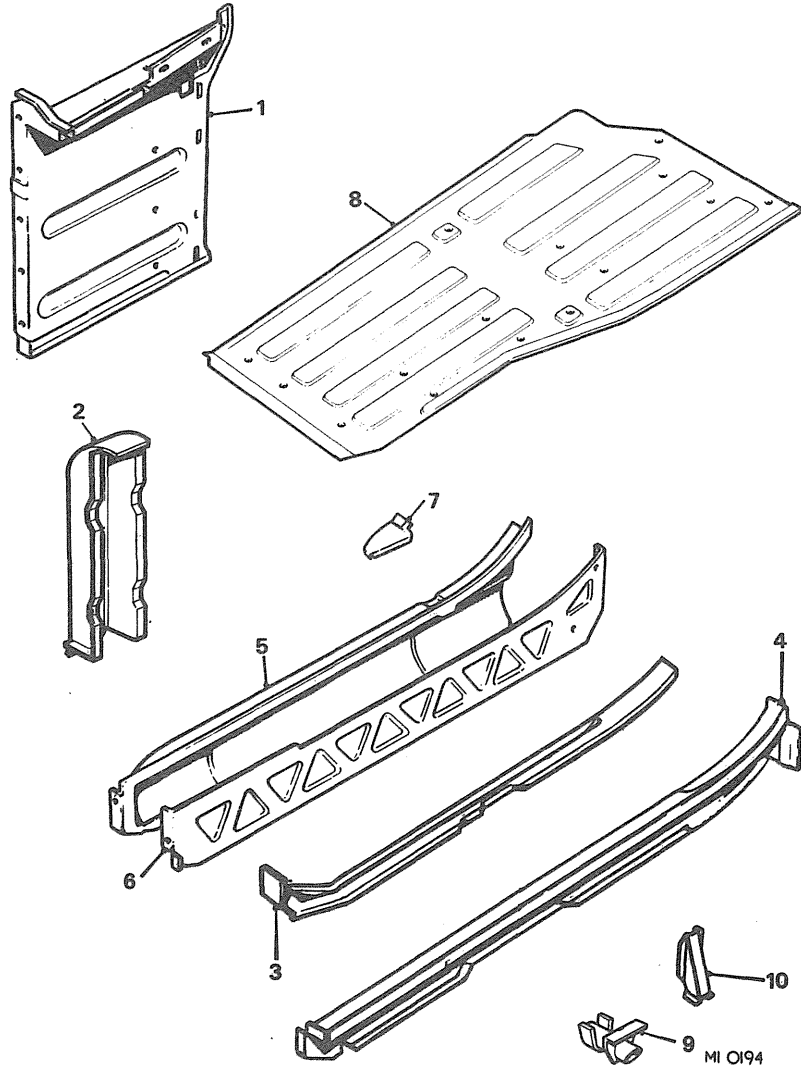
**BODY SHELL-TOURER-continued**

4	HZA 4922	Panel-wheelarch-front-RH.....	1	] (C)G-HN5-360301 TO 386600	
	HZA 4923	Panel-wheelarch-front-LH.....	1		
4	HZA 5322	Panel-wheelarch-front-RH.....	1	] (C)G-HN5-386601 TO 410000	
	HZA 5323	Panel-wheelarch-front-LH.....	1		
23	HZA 4851	Panel-radiator duct.....	1	] (C)G-HN5-360301 TO 410000	
6	HZA 4858	Support-radiator duct.....	1		
7	HZA 4617	Platform-bonnet locking.....	1		
21	HZA 4618	Reinforcement-platform.....	1		
24	HZA 4866	Mounting-top-front bumper-RH \$.....	1	] (C)G-HN5-360301 TO 410000	
	HZA 4867	Mounting-top-front bumper-LH \$.....	1		
9	HZA 464	Crossmember-centre.....	1	] Use prior to HZA 5320/1 (C)G-HN5-386601 TO 410000 (C)G-HN3-101 TO 138400 (C)G-HN4-138401 TO 187210 (C)G-HN5-187211 TO 219000 (C)G-HN5-219001 TO 410000	
26	HZA 3829	Bracket-petrol hose-LHD.....	1		
10	HZA 168	Reinforcement-wheelarch-RH.....	1		
10	HZA 169	Reinforcement-wheelarch-LH.....	1		
10	HZA 5320	Reinforcement-wheelarch-RH.....	1		
11	HZA 413	Reinforcement-wheelarch-LH.....	1		
11	HZA 413	Cover-gearbox and tunnel.....	1		
12	HZA 625	Cover-gearbox and tunnel.....	1		
12	HZA 3982	Cover-gearbox and tunnel.....	1		

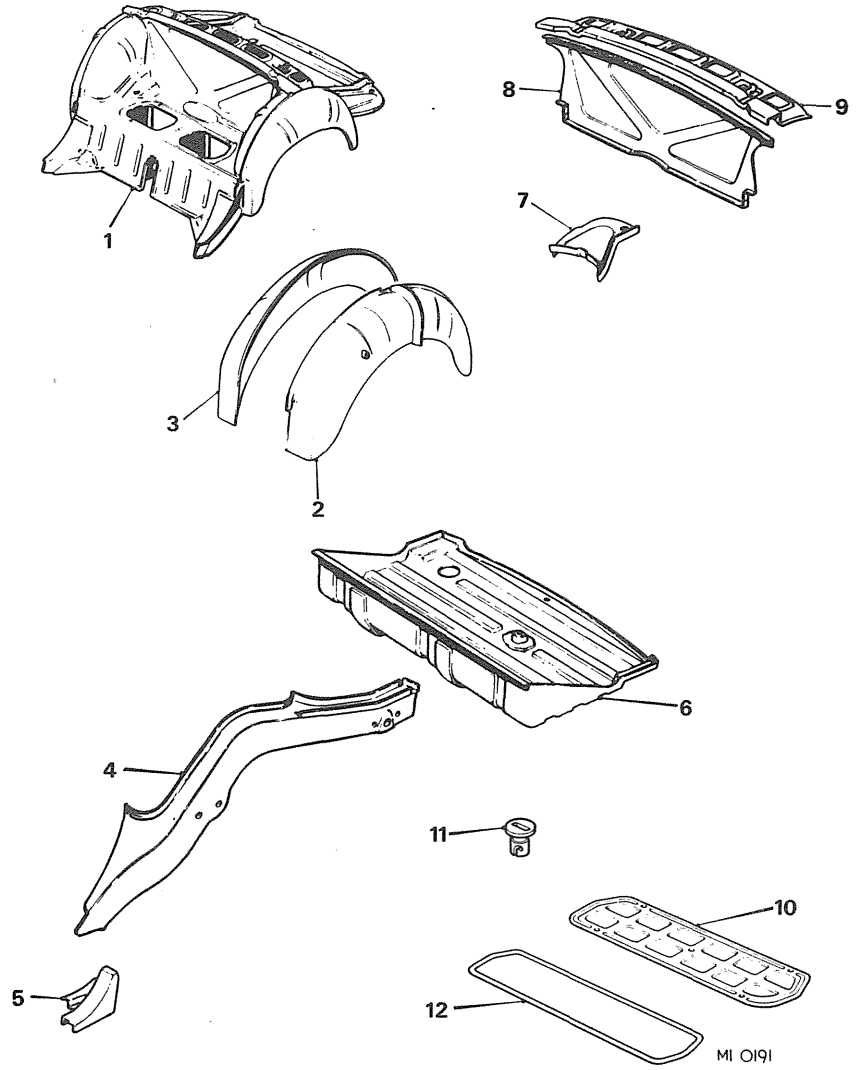




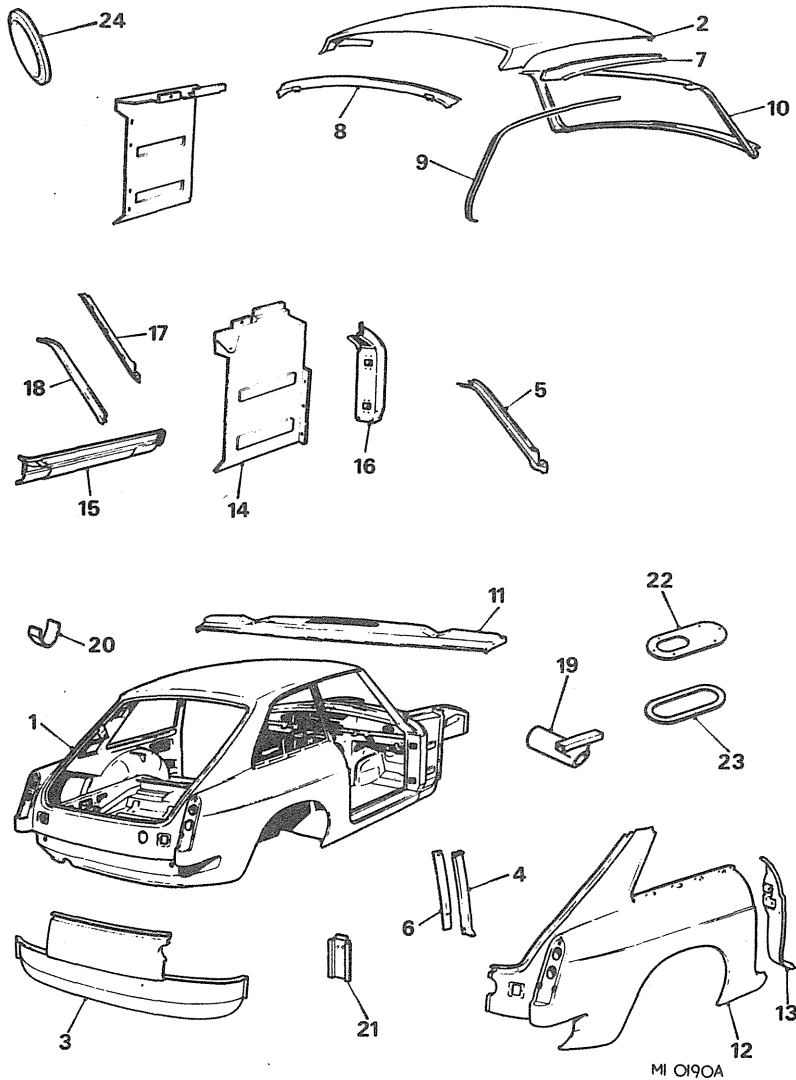
Ill. No.	Part No.	DESCRIPTION	Qty.	Change Point	REMARKS
<b>BODY SHELL-TOURER-continued</b>					
1	HZA 588	END ASSEMBLY-FRONT .....	1	(C)G-HN4-138401 TO 187210	
1	HZA 3993	END ASSEMBLY-FRONT \$ .....	1	(C)G-HN5-187211 TO 219000	
1	HZA 4968	END ASSEMBLY-FRONT \$ .....	1	(C)G-HN5-219001 TO 360300	
1	HZA 5330	END ASSEMBLY-FRONT \$ .....	1	(C)G-HN5-360301 TO 386600	
2	HZA 590	SIDEMEMBER ASSEMBLY-FRONT-RH \$ .....	1	(C)G-HN5-386601 TO 410000	
3	HZA 392	Bracket-front engine mounting-RH \$ .....	1		Use prior to (C)G-HN5-360301
	HZA 591	SIDEMEMBER ASSEMBLY-FRONT-LH \$ .....	1		
	HZA 393	Bracket-front engine mounting-LH \$ .....	1		
4	HZA 420	Panel-Wheelarch-front-RH \$ .....	1		(C)G-HN5-360301 TO 410000
	HZA 4193	Panel-Wheelarch-front-LH \$ .....	1		
5	HZA 465	Panel-radiator duct .....	1		
6	HZA 171	Support-radiator duct .....	1		
7	HZA 388	Platform-bonnet locking .....	1		
8	HZA 461	Reinforcement-platform .....	1		
	HZA 4966	SIDEMEMBER ASSEMBLY-FRONT RH \$ .....	1		
	HZA 4967	SIDEMEMBER ASSEMBLY-FRONT LH \$ .....	1		
18	HZA 4504	Bracket-front engine mounting-RH \$ .....	1		
	HZA 4505	Bracket-front engine mounting-LH \$ .....	1		
22	HZA 4818	Bracket-mounting-lower-front bumper-RH .....	1		
	HZA 4819	Bracket-mounting-lower-front bumper-LH .....	1		



Ill. No.	Part No.	DESCRIPTION	Qty.	Change Point	REMARKS
<b>BODY SHELL-TOURER-continued</b>					
1	HZA 403	Panel-dash side-RH.....	1		
	HZA 404	Panel-dash side-LH.....	1		
2	HZA 442	Panel- 'A' post-RH.....	1		
	HZA 443	Panel- 'A' post-LH.....	1		
3	HZA 482	Panel-sidemember-bottom-RH.....	1		
	HZA 239	Panel-sidemember-bottom-LH.....	1		
4	HZA 236	Panel-sidemember-inner-RH.....	1		
	HZA 237	Panel-sidemember-inner-LH.....	1		
5	HZA 496	Panel-sill-outer-RH.....	1		
	HZA 497	Panel-sill-outer-LH.....	1		
6	HZA 188	Panel-sill closing-RH.....	1		
	HZA 189	Panel-sill closing-LH.....	1		
7	HZA 260	Panel-filler-sill rear-RH.....	1		
	HZA 261	Panel-filler-sill rear-LH.....	1		
8	HZA 414	Panel-main floor-RH.....	NLA		] (C)G-HN3-101 TO 138400 (C)G-HN4-138401 TO 187210 (C)G-HN5-187211 TO 410000
	HZA 415	Panel-main floor-LH.....	NLA		
8	HZA 628	Panel-main floor-RH.....	NLA		
	HZA 629	Panel-main floor-LH.....	NLA		
9	HZA 492	Bracket-jacking.....	2		
10	HZA 231	Reinforcement-jacking bracket.....	2		



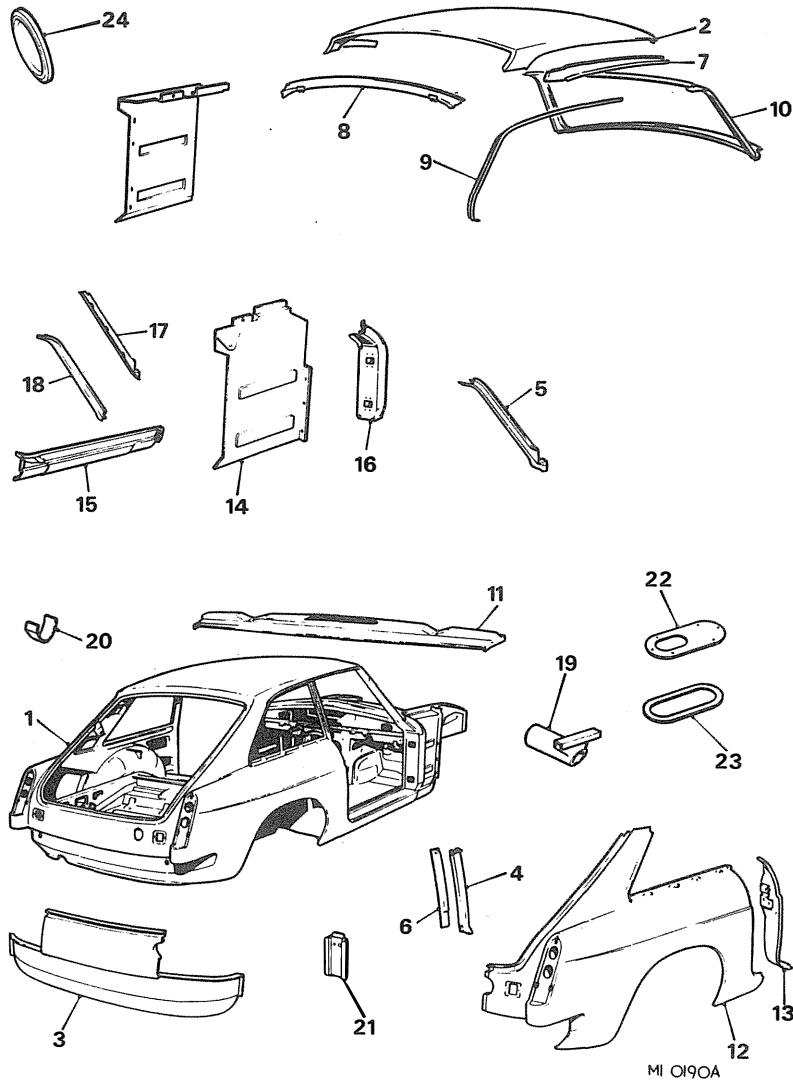
Ill. No.	Part No.	DESCRIPTION	Qty.	Change Point	REMARKS
<b>BODY SHELL-TOURER-continued</b>					
1	HZA 3971	END ASSEMBLY-REAR \$	1	Use prior to HZA 4937 (C)G-HN5-360301 TO 410000	Except N.America and Sweden
1	HZA 4937	END ASSEMBLY-REAR \$	1		
1	HZA 3413	END ASSEMBLY-REAR	NLA		Sweden Up to (C)G-HN5-360301 and N.America. Not N.America or Sweden
2	HZA 2234	Panel-inner-RH	1	Use prior to HZA 4118/9 (C)G-HN5-268079 TO 410000	N.America and Sweden.
	HZA 2235	Panel-inner-LH	1		
2	HZA 2234	Panel-inner-RH	1		
	HZA 2235	Panel-inner-LH	1		
2	HZA 4118	Panel-inner-RH	1	Use prior to HZA 4924/5 (C)G-HN5-360301 TO 410000	
	HZA 4119	Panel-inner-LH	1		
3	HZA 138	Panel-outer-RH	1		
	HZA 615	Panel-outer-LH	1		
4	HZA 3974	Sidemember-rear-RH	1	Use prior to HZA 4924/5 (C)G-HN5-360301 TO 410000	
	HZA 3975	Sidemember-rear-LH	1		
4	HZA 4924	Sidemember-rear-RH \$	1		
	HZA 4925	Sidemember-rear-LH \$	1		
5	HZA 434	Bracket-rear spring-RH	NLA		
	HZA 435	Bracket-rear spring-LH	NLA		
6	HZA 417	Panel-boot floor	1		Fitted early Tourer only with 10 gallon fuel tank.
6	HZA 535	Panel-boot floor	1	Use prior to HZA 3881 (C)G-HN5-360301 TO 410000	
6	HZA 3881	Panel-boot floor	1		
7	HZA 698	Panel-boot floor-outer-RH	1		Not required when evaporative loss control is fitted.
	RFR 208	Grommet	1		
	HZA 161	Panel-boot floor-outer-LH	1		
8	HZA 167	Panel-rear bulkhead	1		
9	HZA 3515	Reinforcement-boot opening	1		
10	AHH 6716	PANEL ASSEMBLY-BATTERY ACCESS	1		
	HZA 4935	PANEL ASSEMBLY-BATTERY ACCESS	1	Use prior to HZA 4935 (C)G-HN5-360301 TO 410000	
11	AHH 7210	Fastener-Dzus	A/R		
12	AHH 6352	Rubber-sealing-battery access panel	1		
	RFR 303	Plug-blanking-dash side panel	A/R		



Ill. No.	Part No.	DESCRIPTION	Qty.	Change Point	REMARKS
<b>BODY SHELL-GT.</b>					
1	HZA 4095	SHELL ASSEMBLY-BODY-PRIMED (LESS DOORS, BONNET, BOOT LID, FRONT WINGS AND FRONT FAIRING PANEL).....NLA	1	(C)G-HD4-139472 TO 187840	] Except N.America And Sweden.
1	HZA 4244	(LESS DOORS, BONNET, BOOT LID, FRONT WINGS AND FRONT FAIRING PANEL).....NLA	1	(C)G-HD5-187841 TO 361000	
1	HZA 4550	(LESS DOORS, BONNET, BOOT LID, FRONT WINGS AND FRONT FAIRING PANEL).....1	1	(C)G-D2D1-101 TO 2100	V8.
1	HZA 4885	(LESS DOORS, BONNET, BOOT LID, FRONT WINGS AND FRONT FAIRING PANEL) \$.....NLA	1	(C)G-HD5-361001 TO 386600	] Use HZA 5332
1	HZA 5332	(LESS DOORS, BONNET, BOOT LID, FRONT WINGS AND FRONT FAIRING PANEL) \$.....1	1	(C)G-D2D1-2101 TO 2700	
2	HZA 3995	Panel-roof.....1	1	Use prior to HZA 4849 (C)G-HD5-361001 TO 410000	
3	HZA 548	Panel-body rear-lower.....1	1		
HZA 4849 PANEL ASSEMBLY-BODY REAR LOWER \$.....1					
21	HZA 470	Platform-boot lid striker.....1	1	(C)G-D2D1-2101 TO 2903	
	HZA 2060	Support-boot floor-rear-RH.....1	1		
	HZA 2061	Support-boot floor-rear-LH.....1	1	] Use prior to HZA 4108/9 (C)G-HD5-286062 TO 410000	] Use HZA 4108 Use HZA 4109
4	HZA 2134	Panel-'B' post-upper-RH.....NLA	1		
4	HZA 2135	Panel-'B' post-upper-LH.....NLA	1		
4	HZA 4108	Panel-'B' post-upper-RH.....1	1		
	HZA 4109	Panel-'B' post-upper-LH.....1	1	(C)G-D2D1-101 TO 2903	
5	HZA 2030	Panel-closing-'A' post-RH.....1	1		
	HZA 2031	Panel-closing-'A' post-LH.....1	1		
6	HZA 2032	Panel-closing-'B' post-RH.....1	1		
	HZA 2033	Panel-closing-'B' post-LH.....1	1		
7	HZA 2020	Panel-cantrail-RH.....1	1		
	HZA 2021	Panel-cantrail-LH.....1	1		
8	HZA 3917	Panel-closing-roof-rear.....NLA	1		
9	HZA 2132	Panel-drip moulding-RH.....1	1		
	HZA 2133	Panel-drip moulding-LH.....1	1		
10	HZA 2163	Panel-windscreen surround.....1	1		
11	HZA 162	Panel-reinforcement-shroud.....1	1		

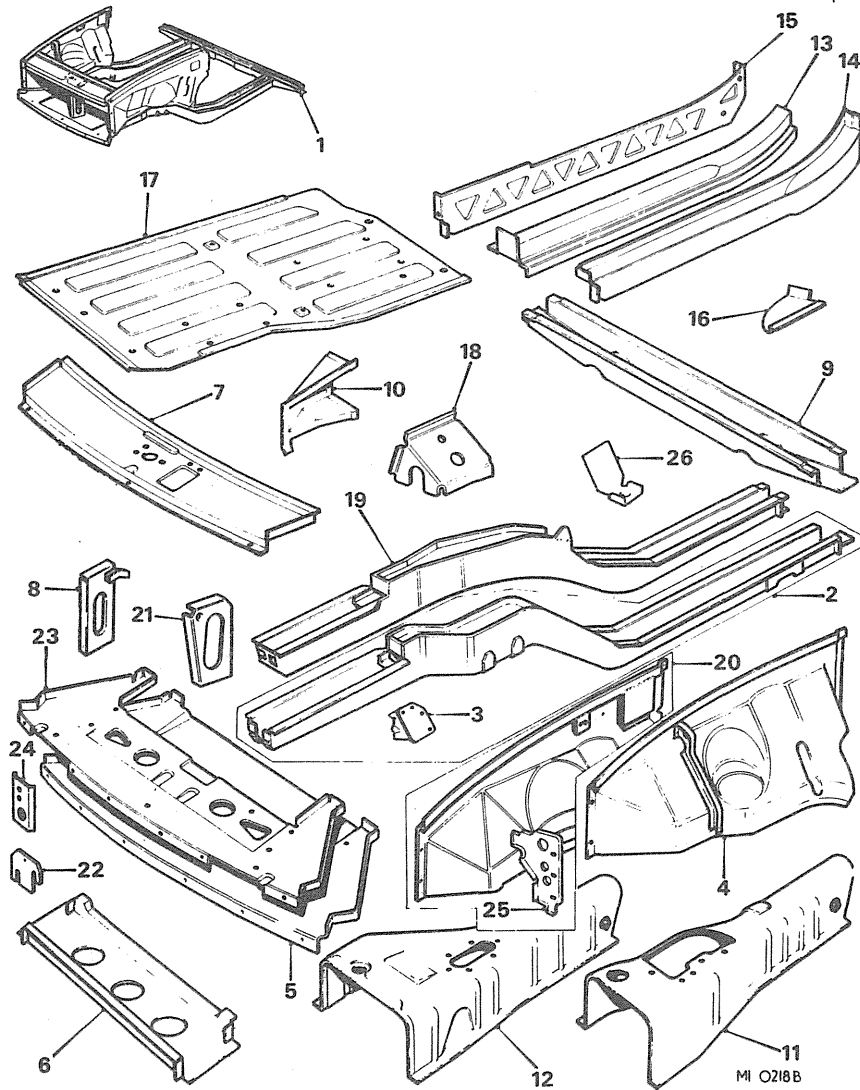
\$ This item is subject to safety regulations.



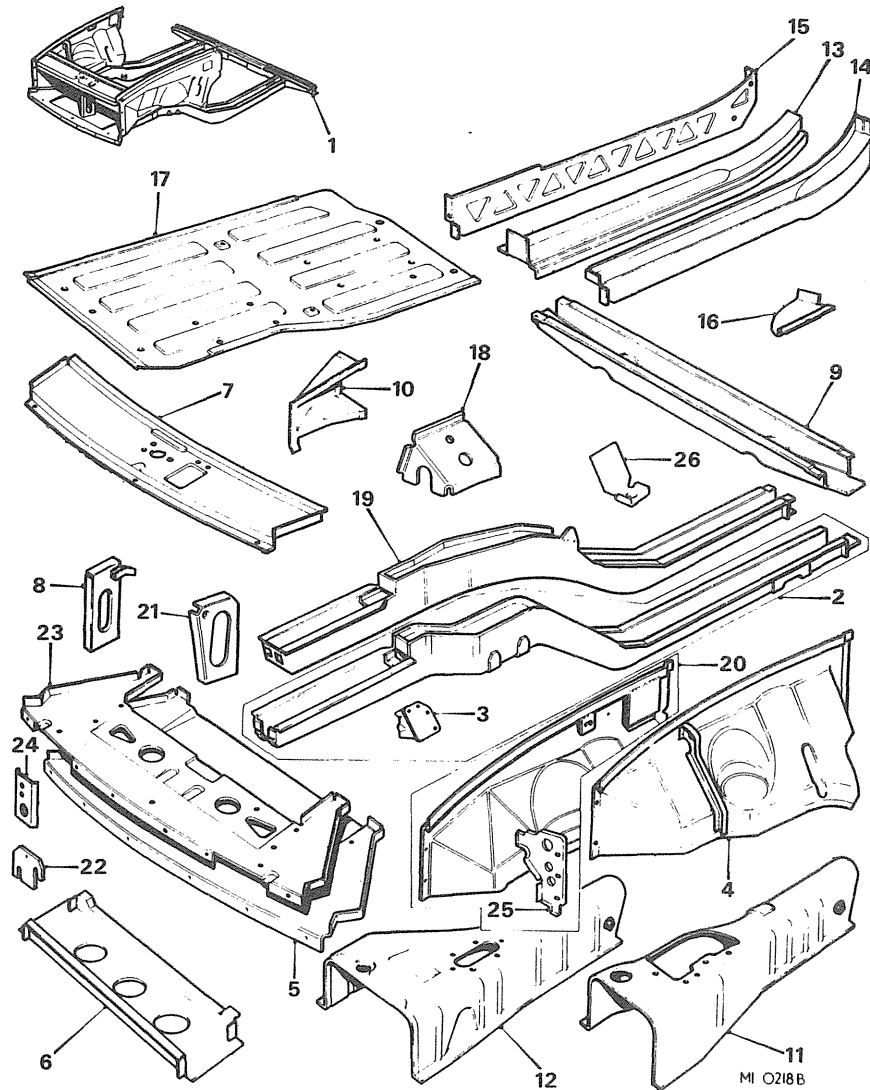


Ill. No.	Part No.	DESCRIPTION	Qty.	Change Point	REMARKS
<b>BODY SHELL-GT-continued.</b>					
12	HZA 2248	Panel-rear quarter-RH.....	1	] Use prior to HZA 4904/5	] Finished for N.America at (C)296000 Except N.America.
	HZA 4223	Panel-rear quarter-LH.....	1		
12	HZA 4904	Panel-rear quarter-RH \$.....	1	] (C)G-HD5-361001 TO 410000 (C)G-D2D1-2101 TO 2903	] N.America
	HZA 4905	Panel-rear quarter-LH \$.....	1		
12	HZA 4164	Panel-rear quarter-RH \$.....	1	] (C)G-HD5-296001 TO 361000	] N.America
	HZA 4165	Panel-rear quarter-LH \$.....	1		
12	HZA 4906	Panel-rear quarter-RH \$.....	1	] (C)G-HD5-361001 TO 367803	] Finished for N.America at (C)296000 N.America
	HZA 4907	Panel-rear quarter-LH \$.....	1		
13	HZA 582	Panel-'B' post-RH.....	1	] (C)G-HD5-296001 TO 367803	] N.America
	HZA 583	Panel-'B' post-LH.....	1		
13	HZA 4156	Panel-'B' post-RH.....	1	] (C)G-HD5-296001 TO 367803	] N.America
	HZA 4157	Panel-'B' post-LH.....	1		
14	HZA 2146	Panel-dash-side-RH.....	1		
15	HZA 496	Sill-outer-RH.....	1		
16	HZA 2136	Panel-'A' post-RH.....	1		
17	HZA 2028	Reinforcement-'A' post-RH.....	1		
18	HZA 2046	Moulding-drip-RH.....	1		
	HZA 2147	Panel-dash-side-LH.....	1		
	HZA 497	Sill-outer-LH.....	1		
	HZA 2137	Panel-'A' post-LH.....	1		
	HZA 2029	Reinforcement-'A' post-LH.....	1		
	HZA 2047	Moulding-drip-LH.....	1		
19	HZA 492	Bracket-jacking.....	2		
20	HZA 231	Reinforcement-jacking bracket.....	2		
21	HZA 470	Platform-boot lid striker.....	1		
22	HZA 1431	Cover-gearbox-remote control.....	1	] (C)G-HD4-139472 TO 187840 (C)G-HD5-187841 TO 410350 (C)G-D2D1-101 TO 2903	] Except V8
23	AHC 188	Seal-cover.....	NLA		
	LWZ 204	Washer-spring.....	3		
	PMZ 408	Screw.....	3		
24	CZE 693	Plug-blanking-face level vent holes.....	2		

\$ This item is subject to safety regulations.

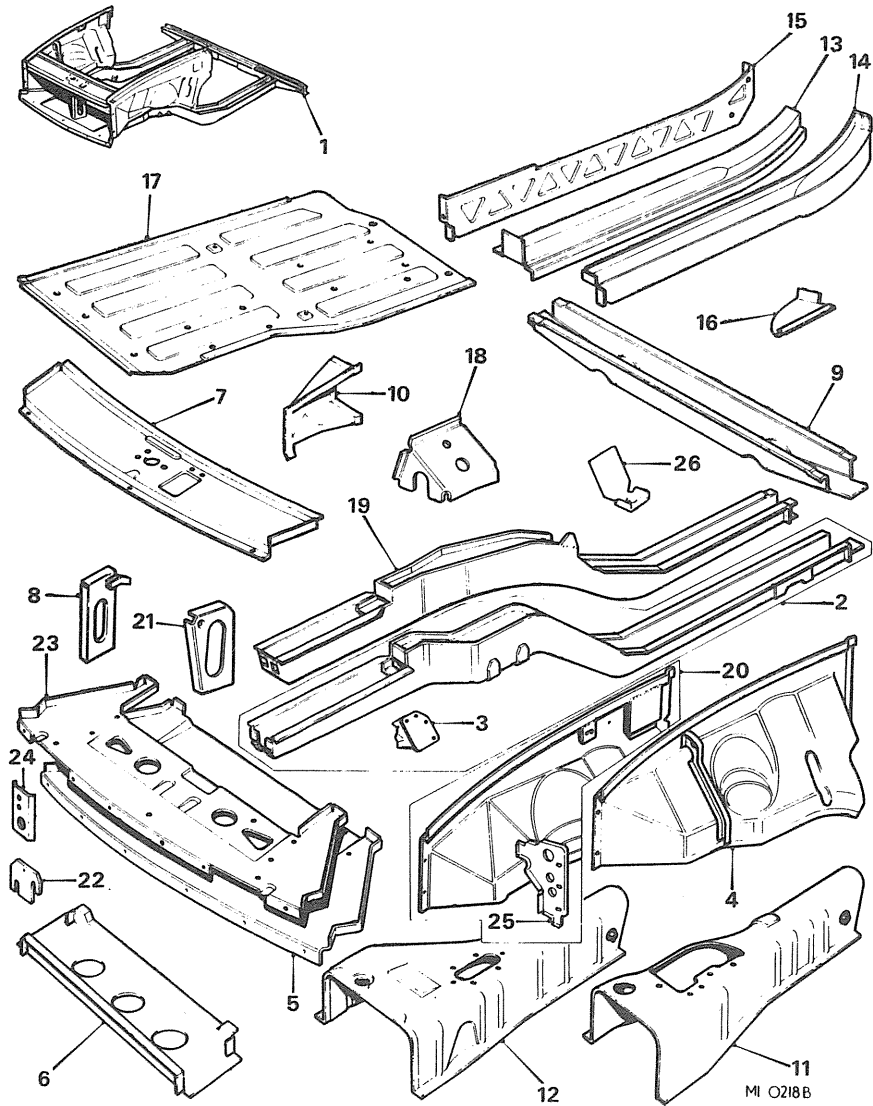


Ill. No.	Part No.	DESCRIPTION	Qty.	Change Point	REMARKS
<b>BODY SHELL-GT-continued.</b>					
1	HZA 588	END ASSEMBLY-FRONT .....	1		
1	HZA 3993	END ASSEMBLY-FRONT .....	1		Use prior to HZA 3993 (C)G-HD5-219001 TO 361000
2	HZA 590	SIDEMEMBER ASSEMBLY-FRONT-RH .....	1		Except V8
3	HZA 392	Bracket-front engine mounting RH \$ .....	1		
	HZA 591	SIDEMEMBER ASSEMBLY-FRONT-LH .....	1		
	HZA 393	Bracket-front engine mounting LH \$ .....	1		
4	HZA 420	Panel-Wheelarch front-RH \$ .....	1		
	HZA 4193	Panel-Wheelarch front-LH \$ .....	1		
26	HZA 3829	Bracket-petrol hose-LHD .....	1	(C)G-HD5-187841 TO 361000	
5	HZA 465	Panel-radiator duct .....	1		
6	HZA 171	Support-radiator duct .....	1		
7	HZA 388	Platform-bonnet locking .....	1		
8	HZA 461	Reinforcement-platform .....	1		
9	HZA 464	Crossmember-centre .....	1		
1	HZA 4690	END ASSEMBLY-FRONT \$ .....	NLA		
19	HZA 4602	Sidemember-front-RH \$ .....	1		V8.
	HZA 4603	Sidemember-front-LH \$ .....	1		
20	HZA 4592	PANEL ASSEMBLY-WHEELARCH-FRONT-RH \$ .....	1		
	HZA 4593	PANEL ASSEMBLY-WHEELARCH-FRONT-LH \$ .....	1		
25	HZA 4514	Bracket-radiator mounting-RH .....	1		
	HZA 4515	Bracket-radiator mounting-LH .....	1		
9	HZA 464	Crossmember-centre .....	1	(C)G-D2D1-101 TO 2100	
21	HZA 4618	Reinforcement-platform .....	1		
5	HZA 4604	Panel-radiator duct .....	1		
7	HZA 4617	Platform-bonnet locking .....	1		
6	HZA 4611	Support-radiator duct .....	1		
18	HZA 4504	Bracket-front engine mounting-RH \$ .....	1		
	HZA 4505	Bracket-front engine mounting-LH \$ .....	1		

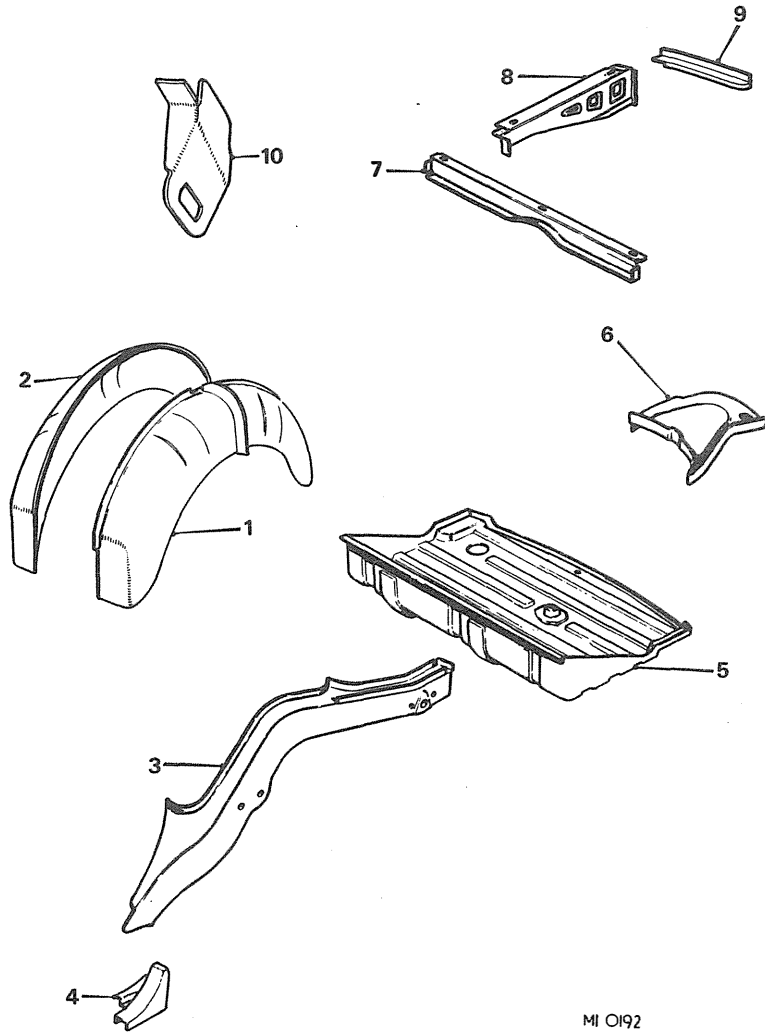


Ill. No.	Part No.	DESCRIPTION	Qty.	Change Point	REMARKS
<b>BODY SHELL-GT-continued</b>					
1	HZA 4968	END ASSEMBLY-FRONT \$.....	1	(C)G-HD5-361001 TO 386600 (C)G-D2D1-2101 TO 2700	
1	HZA 5330	END ASSEMBLY-FRONT \$.....	1	(C)G-HD5-386601 TO 410350 (C)G-D2D1-2701 TO 2903	
	HZA 4966	SIDEMEMBER ASSEMBLY-FRONT-RH \$.....	1		}
	HZA 4967	SIDEMEMBER ASSEMBLY-FRONT-LH \$.....	1		
18	HZA 4504	Bracket-front engine Mounting-RH \$.....	1	(C)G-HD5-361001 TO 410350	}
	HZA 4505	Bracket-front engine mounting-LH \$.....	1	(C)G-D2D1-2101 TO 2903	
22	HZA 4818	Bracket-mounting-lower-front-bumper-RH.....	1		}
	HZA 4819	Bracket-mounting-lower-front bumper-LH.....	1		
4	HZA 4922	Panel-wheelarch-front-RH.....	1	(C)G-HD5-361001 TO 386600	} Except V8
	HZA 4923	Panel-wheelarch-front-LH.....	1		
4	HZA 5322	Panel-wheelarch-front-RH.....	1	(C)G-HD5-386601 TO 410350	}
	HZA 5323	Panel-wheelarch-front-LH.....	1		
20	HZA 5002	PANEL ASSEMBLY-WHEELARCH-FRONT-RH.....	1	(C)G-D2D1-2101 TO 2700	} V8.
	HZA 5003	PANEL ASSEMBLY-WHEELARCH-FRONT-LH.....	1		
20	HZA 5324	PANEL ASSEMBLY-WHEELARCH-FRONT-RH.....	1	(C)G-D2D1-2701 TO 2903	}
	HZA 5325	PANEL ASSEMBLY-WHEELARCH-FRONT-LH.....	1		
25	HZA 4514	Bracket-radiator mounting-RH.....	1		
	HZA 4515	Bracket-radiator mounting-LH.....	1		
26	HZA 3829	Bracket-Petrol hose-LHD.....	1		
23	HZA 4851	Panel-radiator duct.....	1		
6	HZA 4858	Support-radiator duct.....	1		
7	HZA 4617	Platform-bonnet locking.....	1	(C)G-HD5-361001 TO 410350	
21	HZA 4618	Reinforcement-platform.....	1		
24	HZA 4866	Mounting-top-front bumper-RH \$.....	1	(C)G-D2D1-2101 TO 2903	
	HZA 4867	Mounting-top-front bumper-LH \$.....	1		
9	HZA 464	Crossmember-centre.....	1		

\$ This item is subject to safety regulations

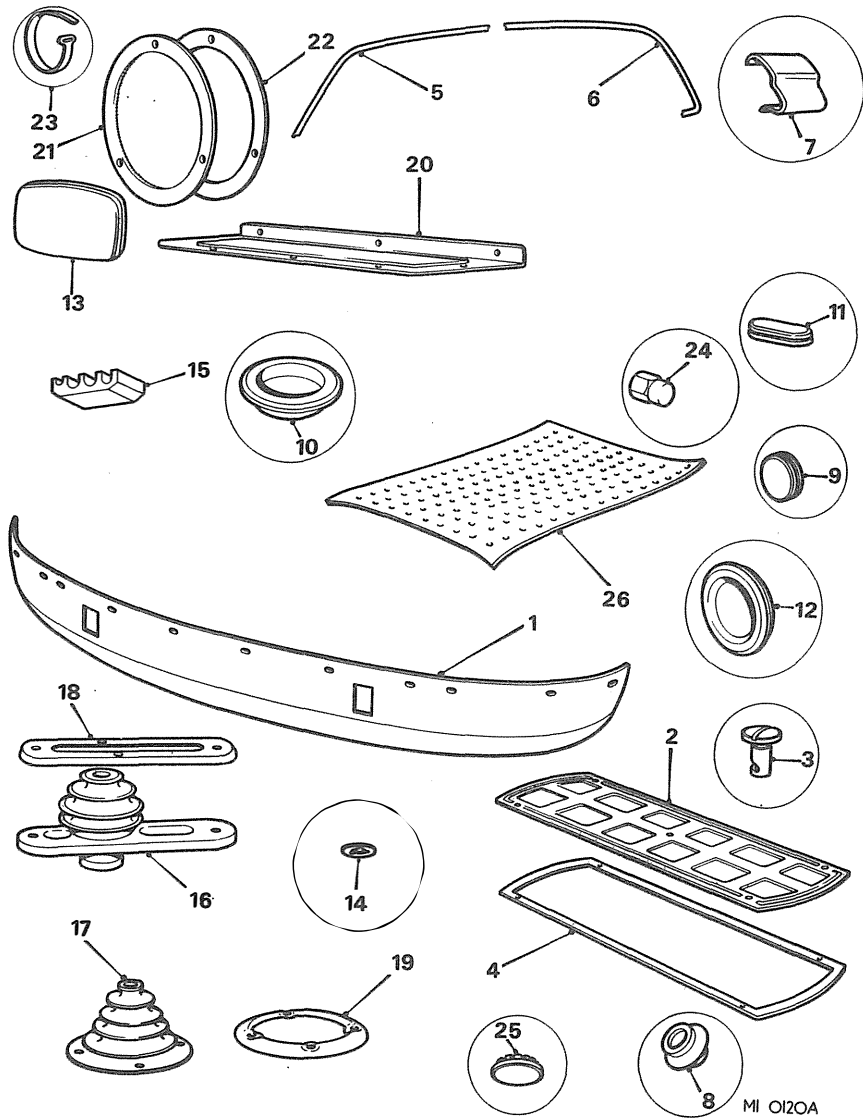


Ill. No.	Part No.	DESCRIPTION	Qty.	Change Point	REMARKS
<b>BODY SHELL-GT-continued</b>					
10	HZA 168	Reinforcement-wheelarch-RH .....	1	] Use prior to HZA 5320/1 (C)G-HD5-386601 TO 410350 (C)G-D2D1-2701 TO 2903	
	HZA 169	Reinforcement-wheelarch-LH .....	1		
10	HZA 5320	Reinforcement-wheelarch-RH .....	1		
	HZA 5321	Reinforcement-wheelarch-LH .....	1		
11	HZA 413	Cover-gearbox and tunnel .....	1	(C)G-HD3-71933 TO 138400	
12	HZA 625	Cover-gearbox and tunnel .....	1	(C)G-HD4-139472 TO 187840 (C)G-HD5-187841 TO 219000	
12	HZA 3982	Cover-gearbox and tunnel .....	1	(C)G-HD5-219001 TO 410350 (C)G-D2D1-101 TO 2903	
13	HZA 482	Panel-sidemember-bottom-RH .....	1	] (C)G-HD3-71933 TO 138400	
	HZA 239	Panel-sidemember-bottom-LH .....	1		
14	HZA 236	Panel-sidemember-inner-RH .....	1	] (C)G-HD4-139472 TO 187840 (C)G-HD5-187841 TO 410350 (C)G-D2D1-101 TO 2903	
	HZA 237	Panel-sidemember-inner-LH .....	1		
15	HZA 188	Panel-closing-sill-RH .....	1		
	HZA 189	Panel-closing-sill-LH .....	1		
16	HZA 260	Panel-filler-rear sill-RH .....	1		
	HZA 261	Panel-filler-rear sill-LH .....	1		
17	HZA 414	Panel-main floor-RH .....	1	] (C)G-HD3-71933 TO 138400 (C)G-HD4-139472 TO 187840 (C)G-HD5-187841 TO 410350 (C)G-D2D1-101 TO 2903	
	HZA 415	Panel-main floor-LH .....	1		
17	HZA 628	Panel-main floor-RH .....	NLA		
	HZA 629	Panel-main floor-LH .....	NLA		



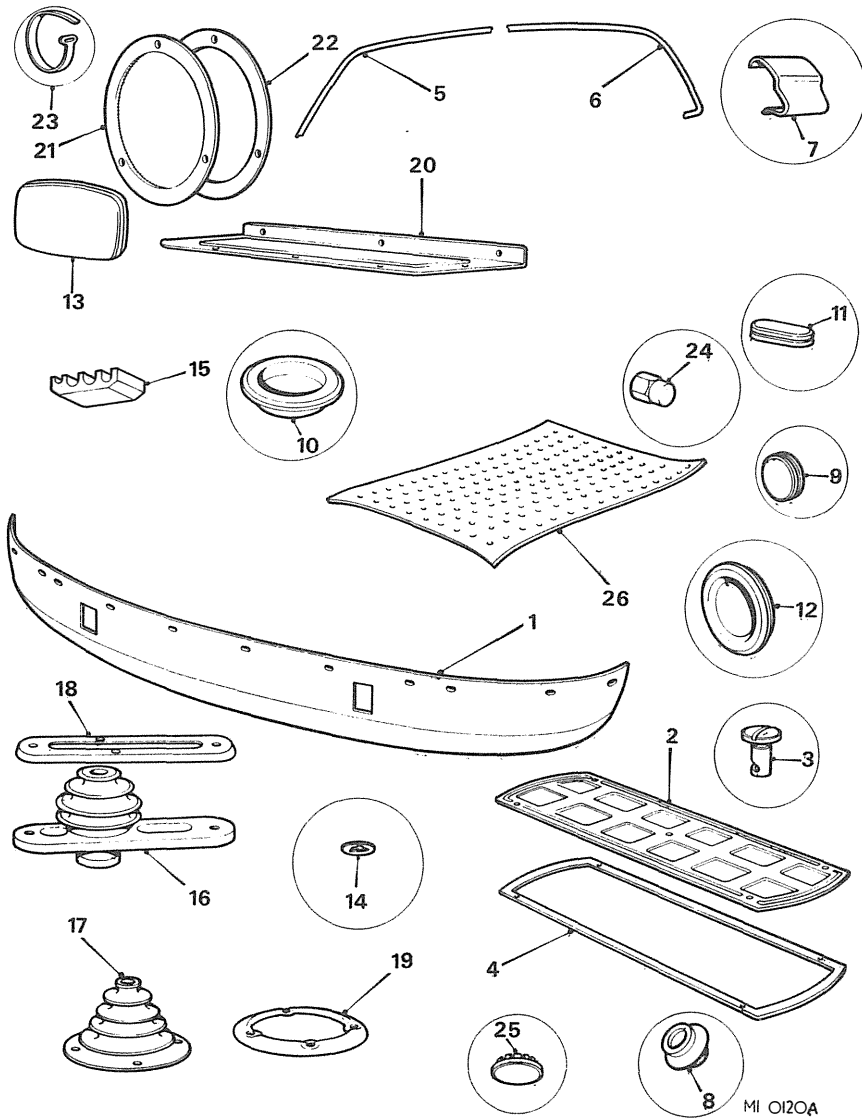
MI 0192

Ill. No.	Part No.	DESCRIPTION	Qty.	Change Point	REMARKS
<b>BODY SHELL-GT-continued</b>					
1	HZA 2232	Panel-wheel arch-inner-RH.....	1		
2	HZA 138	Panel-wheel arch-outer-RH.....	1		
	HZA 2233	Panel-wheel arch-inner-LH.....	1		
	HZA 615	Panel-wheel arch-outer-LH.....	1		
3	HZA 3974	Sidemember-rear-RH.....	1		] Use prior to HZA 4924/5 (C)G-HD5-361001 TO 410350 (C)G-D2D1-2101 TO 2903
	HZA 3975	Sidemember-rear-LH.....	1		
3	HZA 4924	Sidemember-rear-RH \$.....	1		
	HZA 4925	Sidemember-rear-LH \$.....	1		
4	HZA 434	Bracket-rear spring-RH.....	1		
	HZA 435	Bracket-rear spring-LH.....	1		
5	HZA 535	Panel-boot floor.....	1		] Use prior to HZA 3881 (C)G-HD5-361001 TO 410350 (C)G-D2D1-101 TO 2903
5	HZA 3881	Panel-boot floor.....	1		
6	HZA 698	Panel-boot floor-outer-RH.....	1		
	HZA 161	Panel-boot floor-outer-LH.....	1		
7	HZA 2154	Support-boot floor-front.....	1		
8	HZA 2159	Support-boot floor-side-RH.....	1		
	HZA 2160	Support-boot floor-side-LH.....	1		
9	HZA 2060	Support-boot floor-rear-RH.....	1		
	HZA 2061	Support-boot floor-rear-LH.....	1		
10	HZA 2074	Bracket-boot lid stay-RH.....	1		



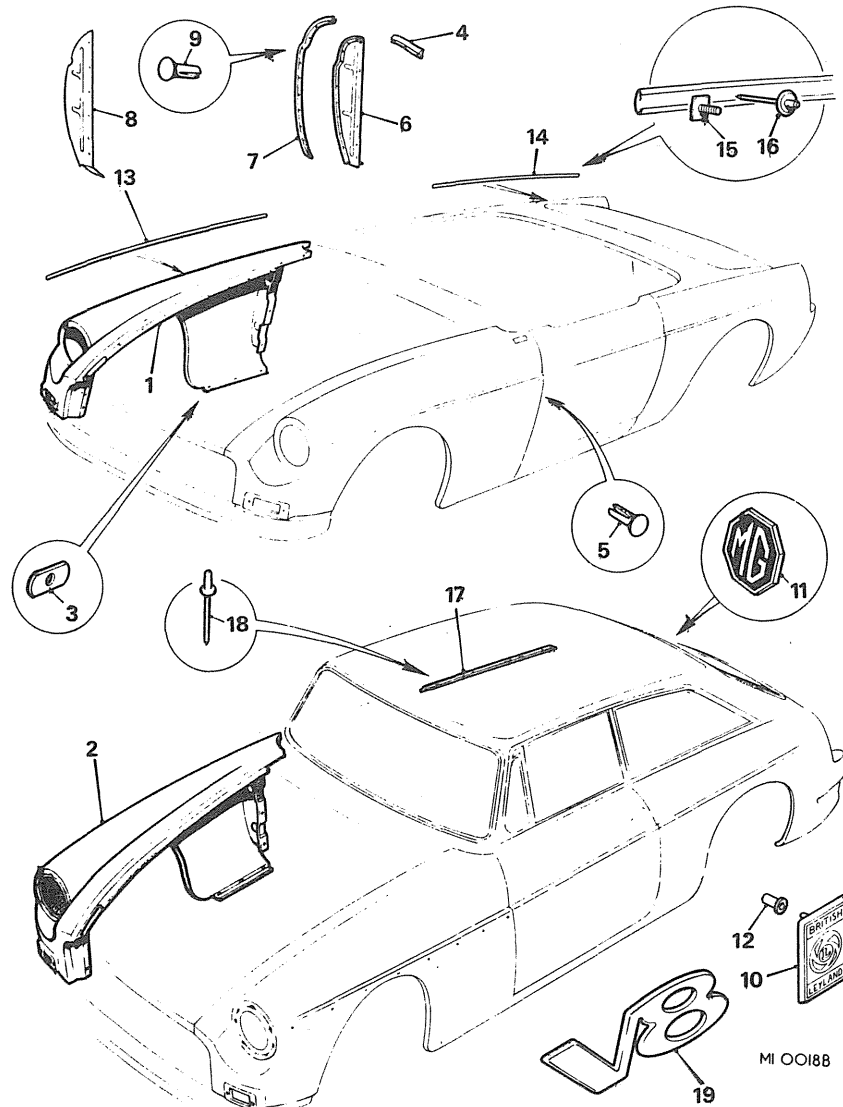
MI OI2OA

Ill. No.	Part No.	DESCRIPTION	Qty.	Change Point	REMARKS	
<b>BODY SHELL FINISHERS,BLANKING PLUGS AND GROMMETS-ALL VERSIONS</b>						
1	HZA 592	Panel-front fairing.....	1		Use prior to HZA 4812 (C)G-HN5-360301 ON (C)G-HD5-361001 ON (C)G-D2D1-2101 ON	
1	HZA 4812	Panel-front fairing.....	1			
	HZS 404 PWZ 204 LWZ 204	Screw ..... Washer-plain..... Washer-spring.....	12 12 12			
2	AHH 6716	PANEL ASSEMBLY-BATTERY ACCESS.....	1		Use prior to HZA 4935 (C)G-HN5-360301 ON (C)G-HD5-361001 ON (C)G-D2D1-2101 ON	
	HZA 4935	PANEL ASSEMBLY-BATTERY ACCESS.....	1			
3	AHH 7210	Fastener-Dzus.....	A/R		GT	
4	AHH 6352	Rubber-sealing-battery access panel.....	1			
5	AHH 7407	Finisher-drip moulding- front-RH.....	1			
	AHH 7408	Finisher-drip moulding- front-LH.....	1			
6	AHH 7409	Finisher-drip moulding-rear-RH.....	1			
	AHH 7410	Finisher-drip moulding-rear-LH.....	1			
	DMP 721	Rivet-finisher.....	.36			
7	AHH 7422	Clip-finisher.....	2			
<b>PLUG-BLANKING</b>						
8	CFP 375	.375"(9.52mm)diameter of hole.....	A/R			
8	CFP 625	.625"(15.87mm) diameter of hole.....	A/R			
8	CFP 750	.75"(19.05mm)diameter of hole.....	NLA			
	RFN 204	.25"(6.35mm)diameter of hole.....	A/R			
9	RFR 207	.4375"(11.11mm)diameter of hole.....	A/R			
9	RFR 210	.625"(15.87mm)diameter of hole.....	A/R			
9	RFR 224	1.5"(38.1mm)diameter of hole.....	A/R			
9	4G 9763	1.625"(41.27mm)diameter of hole.....	A/R			
10	AHH 6507	Plug-blanking-gearbox cover.....	1			
11	AHH 6478	Plug-blanking-LHD steering column mounting bolt holes-RHD.....	NLA			
12	BHA 4536	Plug-blanking-steering column hole.....	A/R			
13	14B 630	Plug-blanking-master cylinder access hole-RHD.....	A/R			
14	PFR 108	Push-on-fix-heater control hole blanking plug.....	2			
15	AHH 6286	Grommet-services(small).....	4			



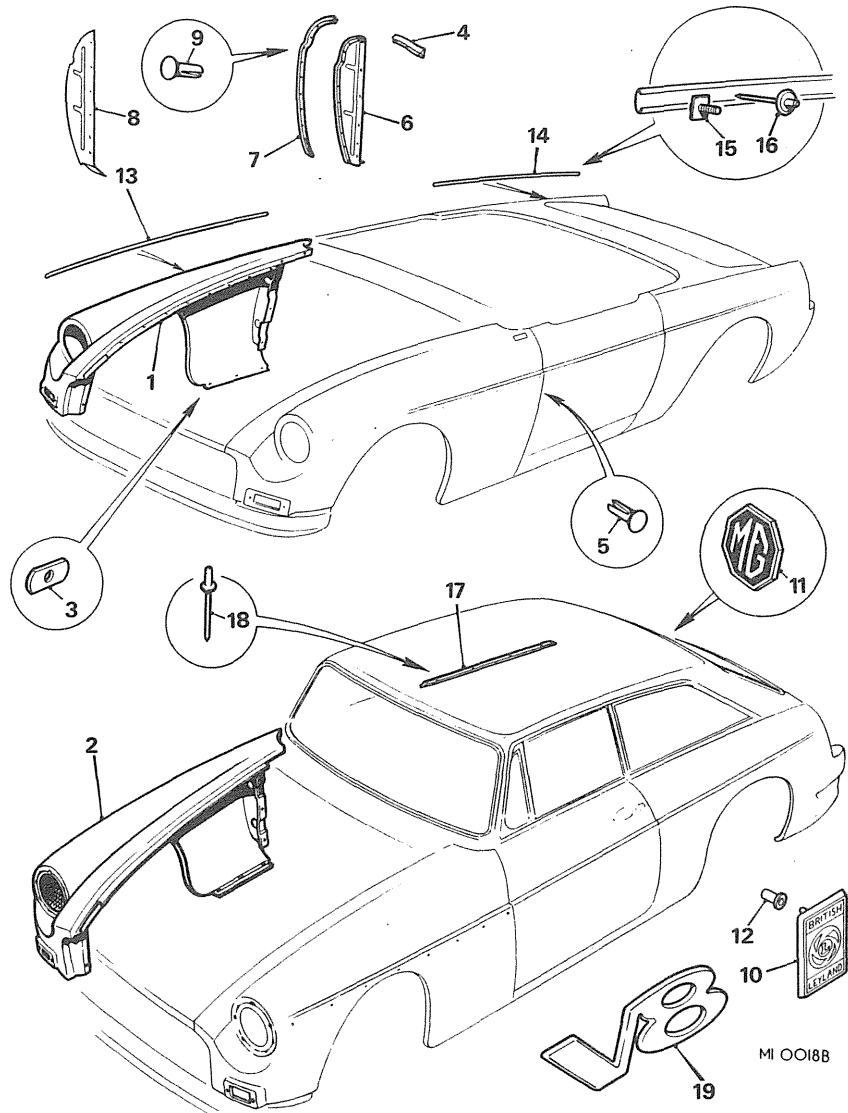
Ill. No.	Part No.	DESCRIPTION	Qty.	Change Point	REMARKS
<b>BODY SHELL FINISHERS,BLANKING PLUGS AND GROMMETS-ALL VERSIONS-CONTINUED.</b>					
16	AHH 7170	Grommet-gear lever.....	1		
17	AHC 168	Grommet-gear lever \$.....	1		Use prior to AHC 168 (C)G-HN4-138401 TO 187210 (C)G-HN5-187211 ON (C)G-HD4-139472 TO 187840 (C)G-HD5-187841 ON (C)G-D2D1-101 ON
18	AHH 6486	Retainer-gear lever grommet.....	NLA		Use prior to AHC 187 (C)G-HN4-138401 TO 187210 (C)G-HN5-187211 TO 393599 (C)G-HD4-139472 TO 187840 (C)G-HD5-187841 TO 393599 (C)G-D2D1-101 TO 2722 (C)G-HN5,G-HD5-393600 ON (C)G-D2D1-2723 ON
	RTP 1006	Screw-retainer.....	4		
19	AHC 187	Retainer-gear lever grommet.....	1		
19	BHH 1986	Retainer-gear lever grommet.....	1		
20	AHH 6260	Plate-cover-heater aperture.....	NLA		
21	11H 1918	Plate-clutch pedal hole blanking.....	1		
22	AHC 127	Seal-clutch pedal plate.....	1		
	HZS 507	Screw.....	2		
	LWZ 205	Washer-spring.....	2		
	FNZ 105	Nut.....	2		
	HZS 506	Screw-retaining plate-services grommet.....	2		
	LWZ 205	Washer-spring.....	2		
	FNZ 104	Nut-retaining plate-small services grommet.....	8		
	LWZ 204	Washer-spring.....	8		
23	AHH 6728	Clip-pipes and wiring.....	NLA		Use 2K 6640.
23	2K 6640	Clip-pipes and wiring.....	A/R		
24	14B 2685	Nut-dome-safety strap fixing bolt.....	4		
	PWZ 105	Washer-plain.....	4		
	LWZ 205	Washer-spring.....	4		
	PTZ 1003	Screw-air-box cover plate.....	3		
	PTZ 1003	Screw-heater aperture cover plate.....	3		
	PMZ 308	Screw-heater aperture cover plate.....	5		
	LWZ 203	Washer-spring.....	5		
25	ACH 9373	Button-blanking-starter and ignition switch hole.....	1		Use when steering lock is fitted.
26	27H 6841	Pad-insulation.....	1BOX		

\$ This item is subject to safety regulations.

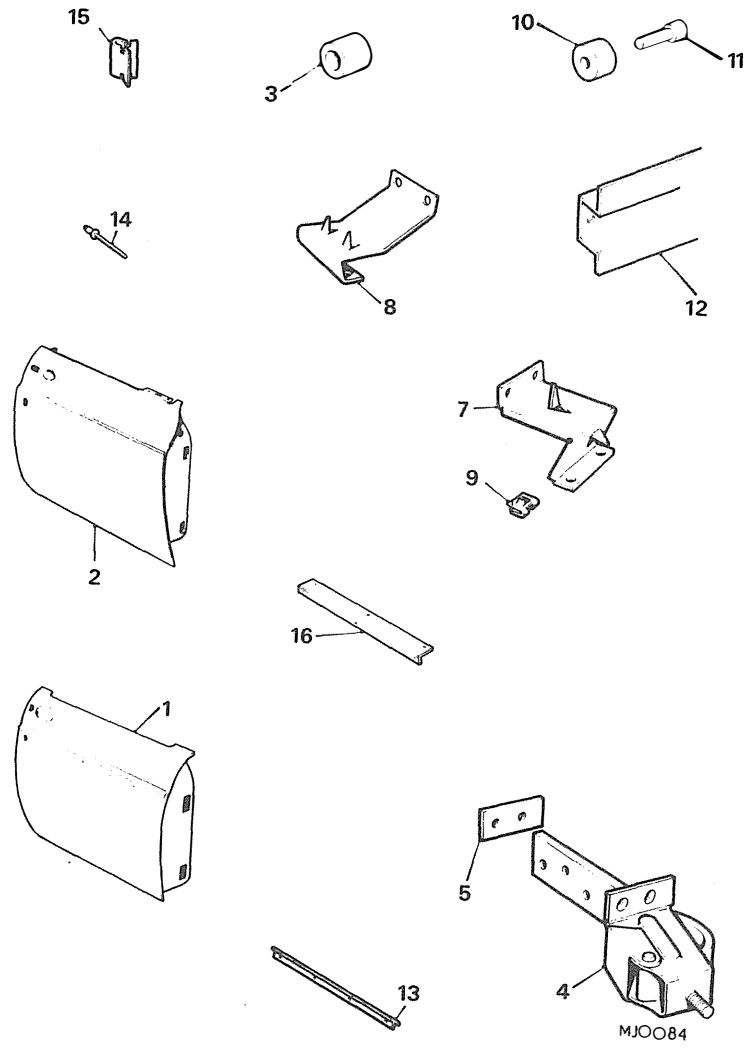


Ill. No.	Part No.	DESCRIPTION	Qty.	Change Point	REMARKS
<b>WINGS AND FITTINGS.</b>					
1	HZA 409	Wing-front-RH .....	1	(C)G-HN3-10G-101	Tourer.
	HZA 410	Wing-front-LH .....	1	TO 138400	
				(C)G-HN4-138402	
				TO 158370	
1	HZA 3804	Wing-front-RH .....	1	(C)G-HN4-158371	
	HZA 3805	Wing-front-LH .....	1	TO 187210	
1	HZA 3842	Wing-front-RH \$ .....	1	(C)G-HN5-187211 TO	
	HZA 3843	Wing-front-LH \$ .....	1	360300	
1	HZA 4832	Wing-front-RH .....	1	(C)G-HN5-360301 TO	
	HZA 4833	Wing-front-LH .....	1	410000	
2	HZA 2124	Wing-front-RH .....	1	(C)G-HD3-71933	GT.
	HZA 2125	Wing-front-LH .....	1	TO 138400	
				(C)G-HD4-139472	
				TO 158230	
2	HZA 3806	Wing-front-RH .....	1	(C)G-HD4-158231	
	HZA 3807	Wing-front-LH .....	1	TO 187840	
2	HZA 3846	Wing-front-RH \$ .....	1	(C)G-HD5-187841 TO	
	HZA 3847	Wing-front-LH \$ .....	1	361000	
				(C)G-D2D1-101 TO	
				2100	
2	HZA 4836	Wing-front-RH .....	1	(C)G-HD5-361001 TO	
	HZA 4837	Wing-front-LH .....	1	410350	
				(C)G-D2D1-2101 TO	
				2903	
	HZS 506	Screw-wing to body .....	14		
	HZS 508	Screw-wing to body .....	8		
	HZS 510	Screw-wing to body .....	2		
	WL 600051	Washer-spring .....	24		
	HZS 405	Screw-wing to body .....	4		
	SH 604061	Screw-wing to body .....	8		
	LWZ 204	Washer-spring .....	12		
	PMZ 308	Screw-wing to body .....	6		
3	AFH 2546	Plate-washer .....	6		
	LWZ 203	Washer-spring .....	6		
4	AHH 6245	Seal-baffle extension-RH .....	1		
	AHH 6246	Seal-baffle extension-LH .....	1		
5	BRP 906	Rivet-seal .....	6		

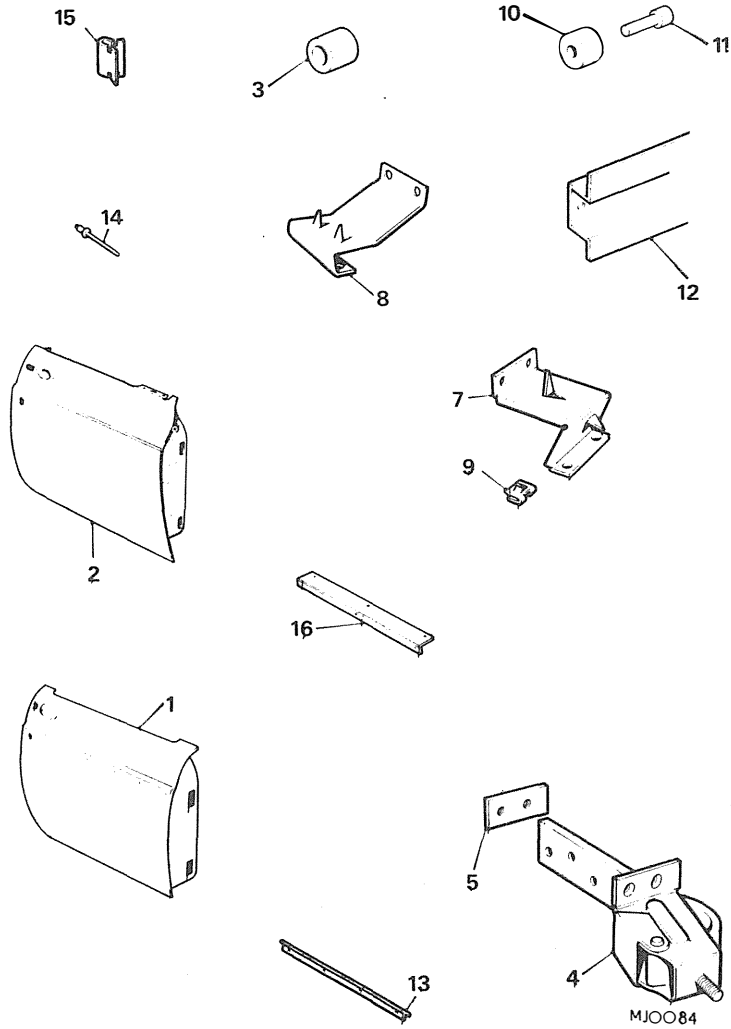




Ill. No.	Part No.	DESCRIPTION	Qty.	Change Point	REMARKS
<b>WINGS AND FITTINGS-continued.</b>					
6	BHH 504	Baffle-front wing-RH.....	1	] Use prior to HZA 2320/1 (C)G-HN5,G-HD5- 278570 TO 410350 (C)G-D2D1-101 TO 2903	
	BHH 505	Baffle-front wing-LH.....	1		
8	HZA 2320	Baffle-front wing-RH.....	1		
	HZA 2321	Baffle-front wing-LH.....	1		
7	BHH 626	Seal-baffle.....	2		
9	BRP 906	Rivet.....	28		
	HZS 405	Screw-baffle.....	12		
	PMZ 410	Screw-baffle.....	2		
	LWZ 204	Washer-spring.....	14		
	PWZ 204	Washer-plain.....	14		
10	CZH 657	Badge-British Leyland.....	2		
11	AHA 9680	Badge-MG.....	2	] (C)G-HN5-187211 (C)G-HD5-187841 TO 282454	] Except Arab Countries. Arab Countries only.
12	13H 217	Fix-blind.....	4		
10	CZH 2717	Badge-British Leyland.....	2	] (C)G-HN5,G-HD5- 282455 TO 410350 (C)G-D2D1-101 TO 2903	
13	AHH 6103	Moulding-wing-front-RH.....	1		
	AHH 6104	Moulding-wing-front-LH.....	1		
14	AHH 6107	Moulding-wing-rear-RH.....	1		
	AHH 6108	Moulding-wing-rear-LH.....	1		
15	AHH 6360	Plate-stud-moulding.....	4		
	FNZ 103	Nut-plate.....	4		
	LWZ 203	Washer-spring.....	4		
16	AHH 6361	Clip-moulding.....	A/R		
17	AHH 7418	Finisher-tonneau waist-RH.....	1	] GT.	
	AHH 7419	Finisher-tonneau waist-LH.....	1		
18	DMP 721	Rivet-finisher.....	8		
19	HZA 4701	Motif-V8-Silver.....	1		
	HZA 5023	Motif-V8-Gold.....	1		
	BHH 1400	Badge-rear quarter-RH.....	1		
	BHH 1401	Badge-rear quarter-LH.....	1		
	DMP 829	Rivet-badge.....	4		
		<b>TAPE-COACH LINE-GOLD</b>			
	HZA 5026	Front wing-RH.....	1		
	HZA 5027	Front wing-LH.....	1		
	HZA 5028	Door-RH.....	1		
	HZA 5029	Door-LH.....	1		
	HZA 5030	Rear tonneau-RH.....	1		
	HZA 5031	Rear tonneau-LH.....	1		

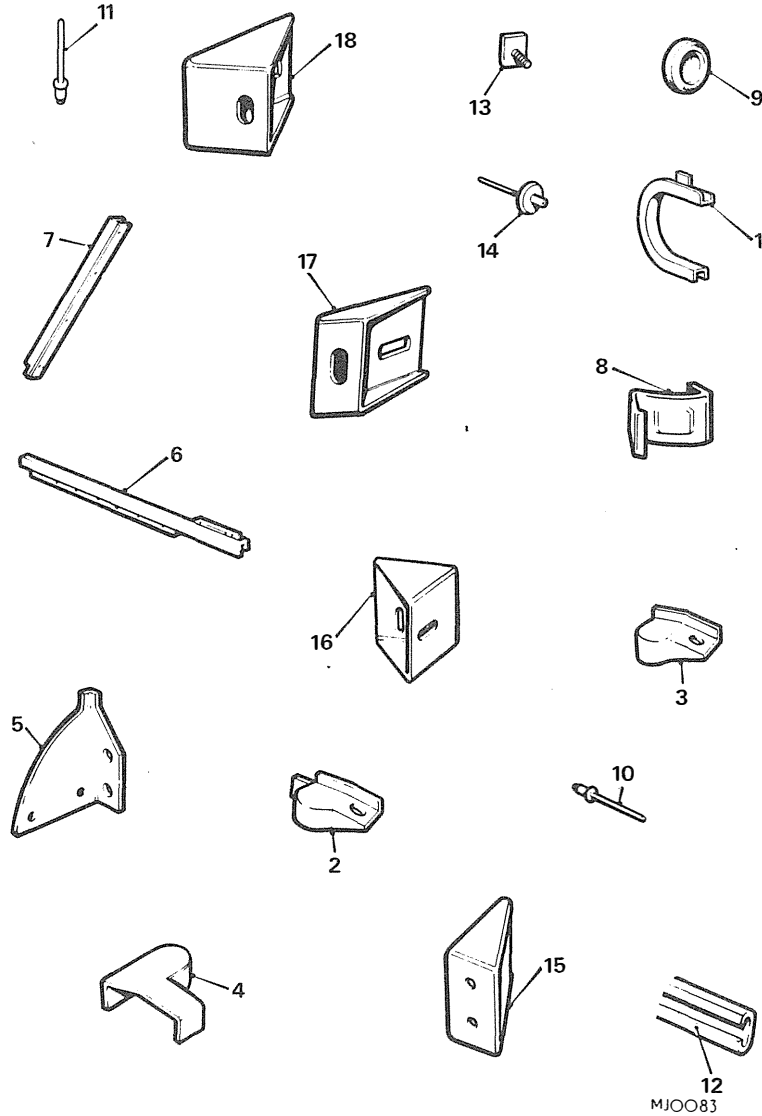


Ill. No.	Part No.	DESCRIPTION	Qty.	Change Point	REMARKS	
<b>DOORS AND FITTINGS-ALL VERSIONS</b>						
1	HZA 597	Door-RH \$.....	1	] (B)MGB-101 TO 57985(less 57830)	Tourer	
	HZA 598	Door-LH \$.....	NLA			
1	HZA 572	Door-RH \$.....	1			
	HZA 573	Door-LH \$.....	1			
1	HZA 4202	Door-RH \$.....	1			(C)G-HN4-138401 TO 187210
	HZA 4203	Door-LH \$.....	1			(C)G-HN5-187211 TO 258000
						(C)G-HN5-258001 TO 294250 N.America
						(C)G-HN5-258001 TO 410000
						Except N.America
						(C)G-HN5-294251 TO 328100 N.America
1	HZA 4180	Door-RH \$.....	1	] (C)G-HN5-328101 TO 410000	Use HZA 4299. Use HZA 4298.	
	HZA 4181	Door-LH \$.....	NLA			
	HZA 4204	Door-RH \$.....	NLA			
	HZA 4298	Door-RH \$.....	1			
	HZA 4205	Door-LH \$.....	1			
	HZA 4299	Door-LH \$.....	1			
2	HZA 2226	Door-RH \$.....	NLA			
	HZA 2227	Door-LH \$.....	NLA			
2	HZA 2088	Door-RH \$.....	1			
	HZA 2089	Door-LH \$.....	1			
2	HZA 4200	Door-RH \$.....	1	] (C)G-HD3-71933 TO 138400	GT	
	HZA 4201	Door-LH \$.....	1			
						(C)G-HD4-138401 TO 187841
						(C)G-HD5-187842 TO 258000
						(C)G-HD5-258001 TO 296000 N.America
						(C)G-HD5-258001 TO 410350
						Except N.America
						(C)G-D2D1-101 TO 2903
2	HZA 4178	Door-RH \$.....	1			
	HZA 4179	Door-LH \$.....	1			
	HZA 4566	Door-RH \$.....	1			
	HZA 4567	Door-LH \$.....	1			

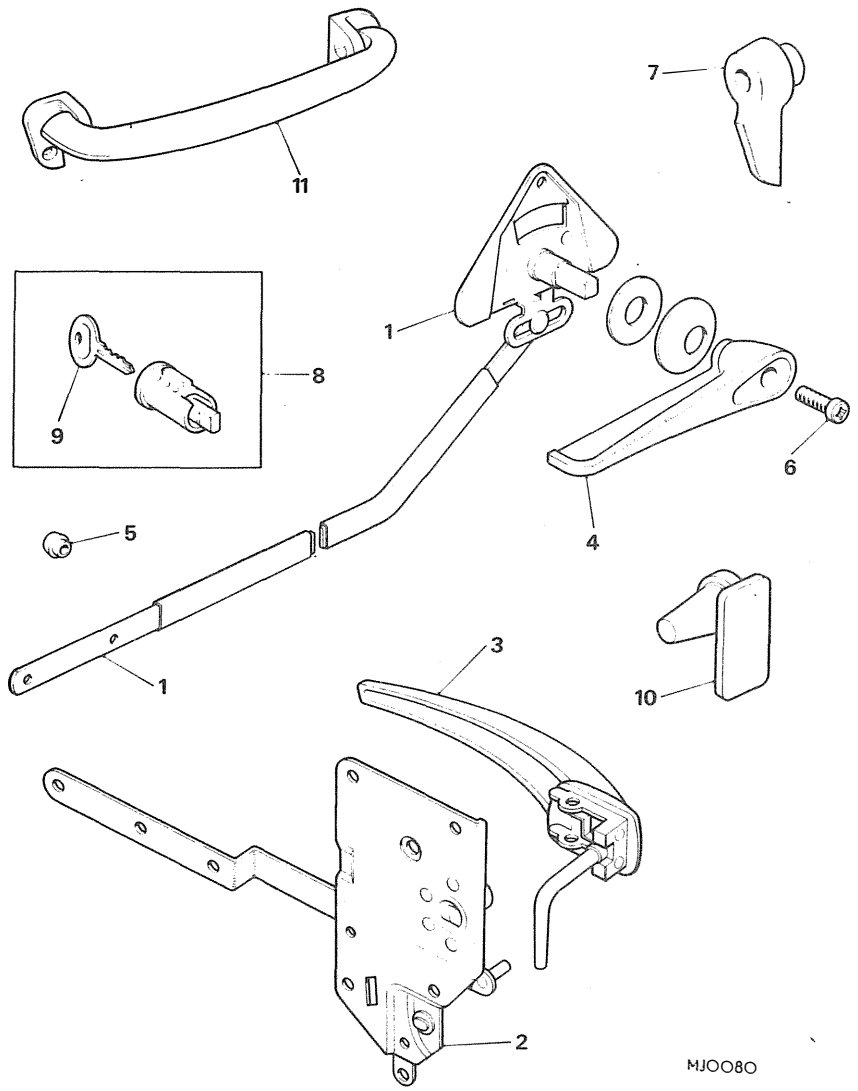


Ill. No.	Part No.	DESCRIPTION	Qty.	Change Point	REMARKS
<b>DOORS AND FITTINGS-ALL VERSIONS-continued.</b>					
3	24B 633	Spacer-lock \$ .....	1		Tourer.
4	HZA 366	Hinge-RH \$ .....	2		
	HZA 367	Hinge-LH \$ .....	2		
5	HZA 350	Plate-tapping-hinge \$ .....	NLA		
	CMZ 516	Screw-hinge to door .....	NLA		
	CMZ 512	Screw-hinge to body .....	16		
	FNZ 107	Nut-hinge to body .....	4		
	PWZ 207	Washer-plain .....	4		
	LWZ 207	Washer-spring .....	4		
7	HZA 319	Bracket-glass stop-LH-Tourer .....	NLA		] GT.
8	AHH 7550	Bracket-glass stop-RH .....	1		
	AHH 7551	Bracket-glass stop-LH .....	NLA		
	PTZ 1004	Screw-bracket .....	8		
9	13H 10	Nut-spire .....	8		
10	AHH 6745	Buffer-hinge(rubber) .....	4		
11	FRS 208	Rivet-buffer to hinge .....	NLA		
12	HZA 383	Stiffener-longitudinal .....	NLA		
	HZA 404	Screw-stiffener .....	4		
	LWZ 204	Washer-spring .....	4		
	PWZ 104	Washer-plain .....	4		
13	AHH 6348	Seal-waist-door-RH(rubber) .....	1		
	AHH 6349	Seal-waist-door-LH(rubber) .....	1		
14	RHA 4562	Rivet-waist seal to outer panel .....	A/R		
14	BHA 4562	Rivet-seal .....	14		
15	14A 6797	Clip-seal to finisher .....	14		
	GWS 121	Tape-sealing .....	A/R		Supplied in 50 metre rolls.
16	AHH 9887	Plate-sill tread .....	2		] (C)G-HN5-187211 TO 410000 (C)G-HD5-187841 TO 410350 (C)G-D2D1-101 TO 2903
	AC 606021	Screw-fixing .....	12		

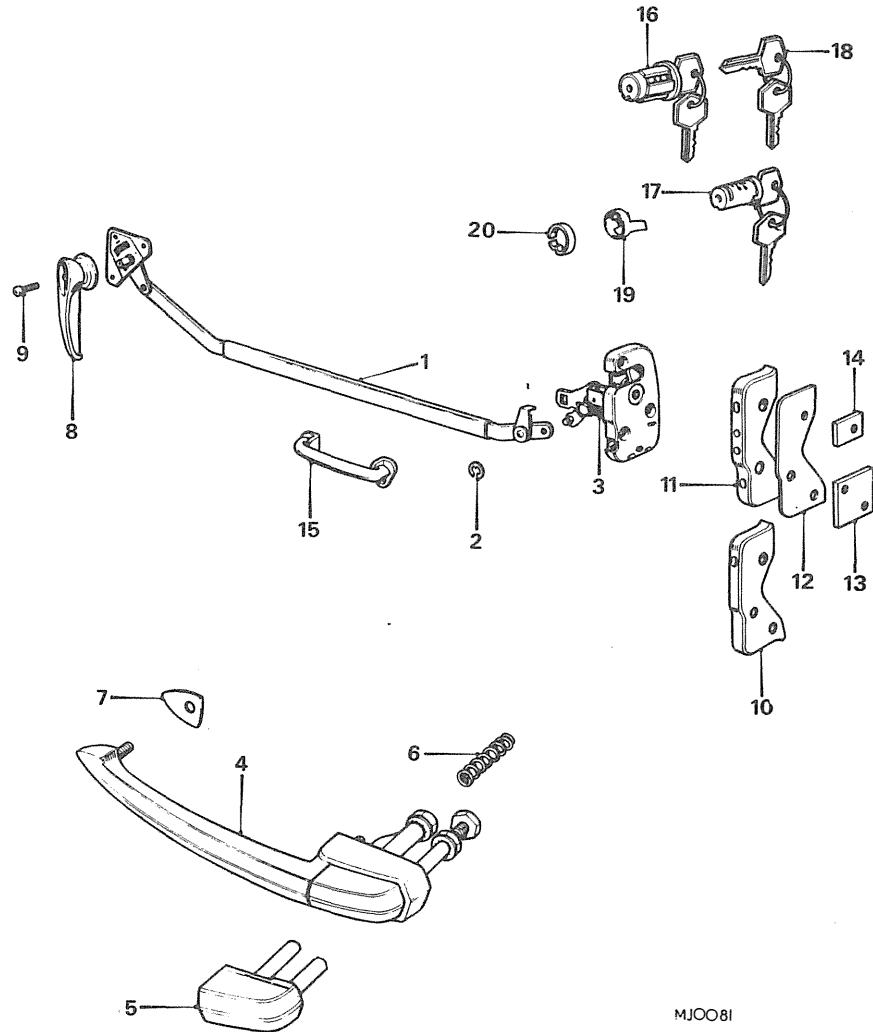
\$ This item is subject to safety regulations.



Ill. No.	Part No.	DESCRIPTION	Qty.	Change Point	REMARKS
<b>DOOR FINISHERS AND GLASS CHANNEL MOUNTING BRACKETS-ALL VERSIONS.</b>					
2	AHH 6270	Finisher-door seal-front-RH .....	1		] Tourer-except N.America Tourer-N.America Sweden and Germany from (C)G-HN5-187211 ON.
	AHH 6271	Finisher-door seal-front-LH .....	1		
3	AHH 8830	Finisher-door seal-front-RH .....	1		
	AHH 8831	Finisher-door seal-front-LH .....	NLA		
4	AHH 6323	Finisher-door seal-rear-RH .....	1		] Tourer.
	AHH 6324	Finisher-door seal-rear-LH .....	1		
5	AHH 7834	Finisher-door shut face-RH .....	NLA		] Use prior to BHH 596/7 (C)G-HD5-286062 TO 410350 (C)G-D2D1-101 TO 2903  GT.
	AHH 7835	Finisher-door shut face-LH .....	1		
6	AHH 7476	Finisher-door waist-RH .....	1		
	AHH 7477	Finisher-door waist-LH .....	1		
7	AHH 7411	Finisher-'B' post-RH .....	1		
	AHH 7412	Finisher-'B' post-LH .....	NLA		
7	BHH 596	Finisher-'B' post-RH .....	1		
	BHH 597	Finisher-'B' post-LH .....	1		
8	AHH 7828	Finisher-'A' post-RH .....	1		
	AHH 7829	Finisher-'A' post-LH .....	1		
9	RFN 204	Grommet-'B' post .....	2		
10	DMP 721	Rivet-finisher to pillar .....	6		
10	DMP 719	Rivet-door waist finisher .....	14		
11	DAP 629	Rivet-'A' post finisher .....	NLA		
	CTP 604	Screw-finisher .....	NLA		
	MTP 402	Screw-'B' post finisher .....	8		
12	AHH 6105	Moulding-side-door-RH .....	1		
	AHH 6106	Moulding-side-door-LH .....	1		
13	AHH 6360	Plate-stud-moulding .....	2		
	FNZ 103	Nut-plate .....	2		
	LWZ 203	Washer-spring .....	2		
14	AHH 6361	Clip-moulding .....	12		
	HZA 5028	Gold-RH .....	1		
	HZA 5029	Gold-LH .....	1		
15	HZA 226	Bracket-glass channel mounting-RH .....	2/1		
	HZA 227	Bracket-glass channel mounting-LH .....	2/1		
16	HZA 2066	Bracket-glass channel mounting-rear-RH .....	NLA		
	HZA 2067	Bracket-glass channel mounting-rear-LH .....	1		
	PMZ 308	Screw-bracket .....	8		
	PWZ 203	Washer-plain .....	16		
	LWZ 203	Washer-spring .....	8		
	FNZ 103	Nut .....	8		
17	HZA 678	Bracket-glass channel mounting-RH .....	2/1		
	HZA 679	Bracket-glass channel mounting-LH .....	2/1		
18	HZA 2086	Bracket-glass channel mounting-rear-RH .....	1		
	HZA 2087	Bracket-glass channel mounting-rear-LH .....	1		
	HZA 404	Screw-bracket .....	4		
	PWZ 104	Washer-plain .....	4		
		TAPE-COACH LINE-DOOR			
		Gold-RH .....	1		
		Gold-LH .....	1		
		Bracket-glass channel mounting-RH .....	2/1		
		Bracket-glass channel mounting-LH .....	2/1		
		Bracket-glass channel mounting-rear-RH .....	NLA		
		Bracket-glass channel mounting-rear-LH .....	1		
		Screw-bracket .....	8		
		Washer-plain .....	16		
		Washer-spring .....	8		
		Nut .....	8		
		Bracket-glass channel mounting-RH .....	2/1		
		Bracket-glass channel mounting-LH .....	2/1		
		Bracket-glass channel mounting-rear-RH .....	1		
		Bracket-glass channel mounting-rear-LH .....	1		
		Screw-bracket .....	4		
		Washer-plain .....	4		



Ill. No.	Part No.	DESCRIPTION	Qty.	Change Point	REMARKS
<b>DOOR HANDLES AND LOCKS-TOURER AND GT MK1.</b>					
2	AHH 6668	Lock-RH.....	1		} (B)MGB-101 TO 57985(LESS 57830)
	PMZ 306	Screw-remote control to lock.....	4		
	LWZ 403	Washer-shakeproof.....	4		
	PMZ 308	Screw-lock and remote control to door.....	14		
	PWZ 203	Washer-plain.....	14		
	LWZ 203	Washer-spring.....	14		
3	AHH 6661	Handle-door-outside-RH.....	1		
	AHH 6662	Handle-door-outside-LH.....	1		
4	34G 2529	Handle-remote control.....	2		
	CMZ 3 10	Screw-outside handle to door.....	4		
5	ADA 1764	Buffer-outside handle.....	2		
6	ADH 834	Screw-remote control handle.....	2		
	LWZ 203	Washer-spring.....	2		
	RMP 212	Screw-knob.....	1		
8	AHH 6673	Barrel-lock.....	2		
10	AFH 1684	Striker.....	2		
	CMZ 4 12	Screw-striker.....	4		
11	GLZ 118	Pull-door.....	2		
	RMZ 308	Screw-pull.....	4		



MJ0081

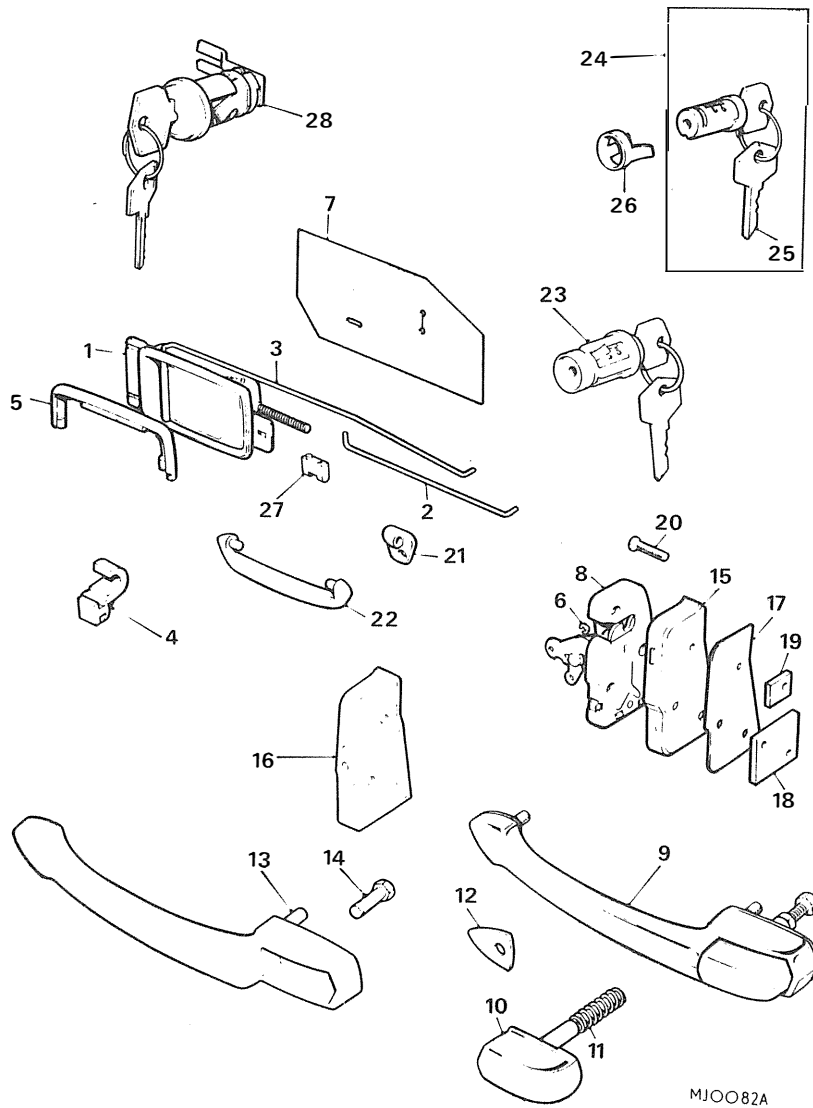
Ill. No.	Part No.	DESCRIPTION	Qty.	Change Point	REMARKS
----------	----------	-------------	------	--------------	---------

**DOOR HANDLES AND LOCKS-TOURER AND GT MK.1-continued**

1	AHH 7484	Control-remote-lock-RH.....	1		
	AHH 7485	Control-remote-lock-LH.....	1		
	PMZ 308	Screw-control to door.....	6		
	PWZ 103	Washer-plain.....	6		
	LWZ 203	Washer-spring.....	6		
2	UKC 2667	Circlip-control to lock.....	2		
3	AHH 7451	Lock-RH.....	1		
	AHH 7452	Lock-LH.....	1		
	CMZ 416	Screw-lock to door.....	6		
4	AHH 7453	HANDLE ASSEMBLY-DOOR-OUTSIDE.....	2		
5	27H 6690	Push-button.....	2		
6	14G 3749	Spring.....	2		
	LWZ 403	Washer-shakeproof.....	4		
7	617403	Washer-handle to door-rear (fibre) \$.....	2		
	FNZ 103	Nut-handle to door.....	4		
	PWZ 203	Washer-plain.....	4		
	LWZ 203	Washer-spring.....	4		
8	34G 2529	Handle-remote control.....	2		
9	ADH 834	Screw-handle.....	2		
	LWZ 203	Washer-spring.....	2		
10	AHA 7035	Striker-lock-RH.....	NLA		} Tourer
	AHA 7036	Striker-lock-LH.....	1		
11	AHH 7758	Striker-lock-RH.....	1		} GT
	AHH 7759	Striker-lock-LH.....	1		
12	BHH 342	Shim-striker-.91mm(.036").....	A/R		
12	AHH 8715	Shim-striker-1.62mm(.064").....	A/R		
13	AHH 8589	Plate-tapping-striker-lower.....	NLA		
14	AHA 7085	Plate-tapping-striker-upper.....	2		
	CMZ 420	Screw-striker to pillar-long.....	2		
	CMZ 410	Screw-striker to pillar-short.....	4		
15	GLZ 118	Pull-door.....	2		
	RMZ 308	Screw-pull.....	4		
	BHH 972	LOCK ASSEMBLY-PRIVATE-RH \$.....	1		
	BHH 973	LOCK ASSEMBLY-PRIVATE-LH \$.....	1		
17	AHA 7404	Barrel-lock \$.....	NLA		
19	37H 3387	Clip-retaining \$.....	NLA		
20	AHA 7405	Clip-private lock.....	2		

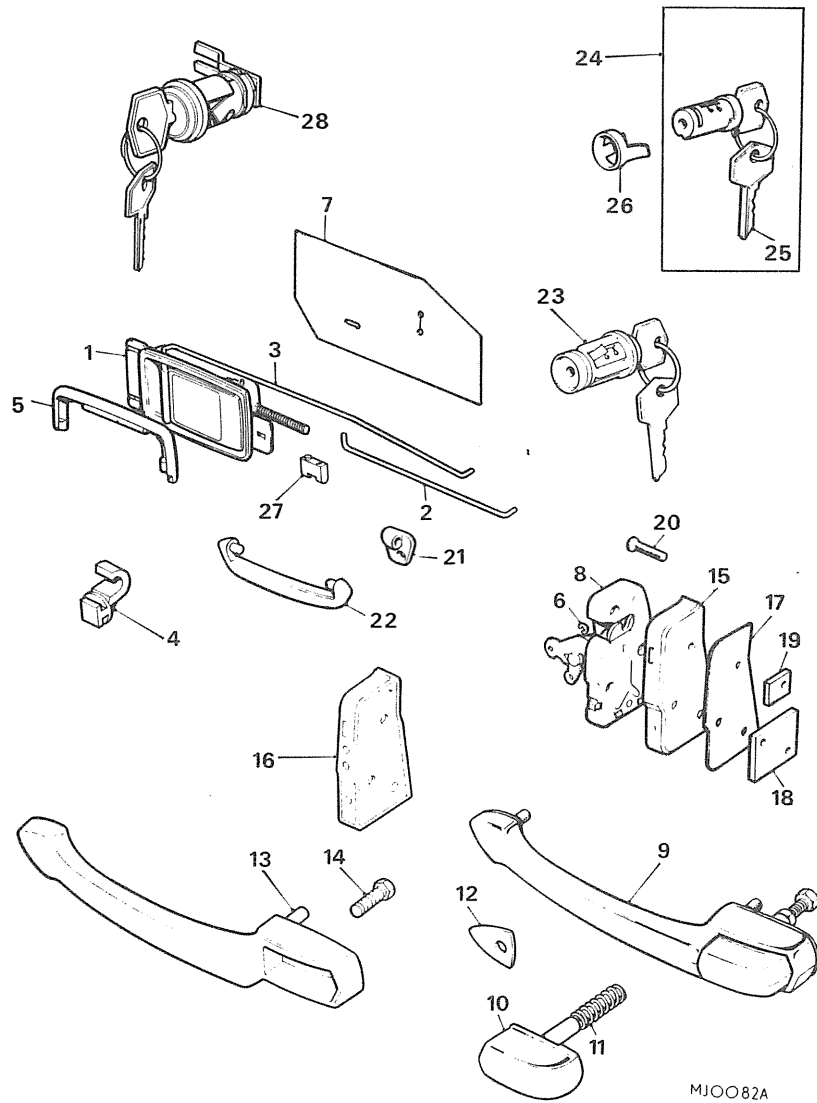
(B)MGB-57986 TO  
110292(PLUS 57830)  
(B)GBD-101 TO  
21777

} Tourer  
} GT



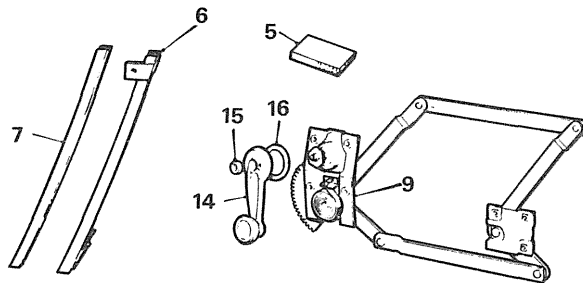
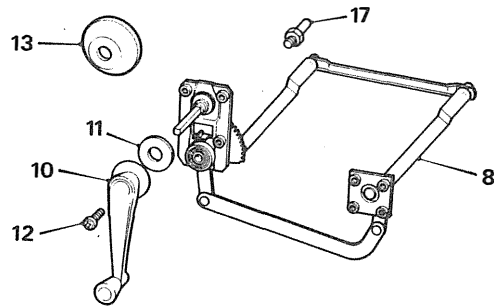
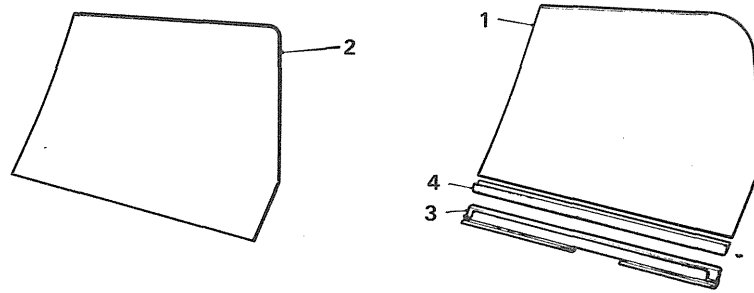
Ill. No.	Part No.	DESCRIPTION	Qty.	Change Point	REMARKS
<b>DOOR HANDLES AND LOCKS-TOURER AND GT MK 2 AND V8</b>					
1	CZK 3792	CONTROL ASSEMBLY-REMOTE-RH \$	1		
	CZK 3793	CONTROL ASSEMBLY-REMOTE-LH \$	1		
27	37H 3539	Connector	2		
2	AHH 8818	Link-operating-RH \$	1		
	AHH 8819	Link-operating-LH \$	1		
3	AHH 8816	Link-locking-RH \$	1		
	AHH 8817	Link-locking-LH \$	1		
4	AHH 8834	Retainer-rod-remote control \$	2		
5	CZA 2259	Bezel-remote control handle \$	4		
	PMZ 308	Screw-control to door	6		
	PWZ 103	Washer-plain	6		
	LWZ 203	Washer-spring	6		
	PTZ 1003	Screw-control to door	2		
	LWZ 403	Washer-shakeproof	2		
6	BHA 4705	Clip-remote control link and lock-link to door lock \$	4		
7	AHH 8820	Seal-dust-remote control	NLA		Use prior to BHH 901 Use BHH 901
7	BHH 901	Seal-dust-remote control \$	2		(C)G-HN5-294251 TO 410000 (C)G-HD5-296001 TO 410350 (C)G-D2D1-101 TO 2903
8	AHH 9254	Lock-door-RH \$	1		
	AHH 9255	Lock-door-LH \$	1		
	CMZ 414	Screw-lock to door	6		
9	14G 2415	HANDLE ASSEMBLY-DOOR-OUTSIDE	2		Use prior to AHH 8885
10	14G 3748	Button-push \$	2		
11	14G 3749	Spring-button return \$	2		
12	617403	Washer-handle to door-rear (fibre) \$	2		
9	AHH 8885	HANDLE ASSEMBLY-DOOR-OUTSIDE \$	2		(B)MGB-110444 TO (C)410000 (B)GBD-22889 TO (C)410350 (C)G-D2D1-101 TO 2903
10	37H 4206	Button-push \$	2		
12	14G 2792	Washer-handle to door-rear (fibre)	2		
13	14G 3752	Stud-handle	4		

\$ This item is subject to safety regulations



Ill. No.	Part No.	DESCRIPTION	Qty.	Change Point	REMARKS
<b>DOOR HANDLES AND LOCKS-TOURER AND GT MK.2 AND V8-continued</b>					
	FNZ 103	Nut-handle to door.....	2		
	PMZ 308	Screw-handle.....	2		
	PWZ 103	Washer-plain.....	4		
	LWZ 203	Washer-spring.....	4		
15	CZA 3310	Striker-lock-RH \$.....	1		] Tourer
	CZA 3311	Striker-lock-LH \$.....	1		
16	AHH 8940	Striker-lock-RH \$.....	1		
	AHH 8941	Striker-lock-LH \$.....	1		
17	AHH 8715	Shim-striker-.064"(1.62mm) \$.....	A/R		
17	BHH 342	Shim-striker-.036"(.91mm) \$.....	A/R		
18	AHH 8589	Plate-tapping-lower-striker.....	NLA		
19	AHA 7085	Plate-tapping-upper-striker \$.....	2		
20	AHH 9239	Screw-striker to pillar-long.....	2		
20	CMZ 410	Screw-striker to pillar-short.....	4		
21	CZA 2365	End-door pull-RH.....	2		] (C)G-HN4-138401 TO 187210 (C)G-HN5-187211 TO 258000 (C)G-HD4-139472 TO 187840 (C)G-HD5-187841 TO 258000
	CZA 2366	End-door pull-LH.....	2		
22	CZA 2364	Handle-door pull.....	2		
	RMP 310	Screw-pull to door.....	4		
28	BHH 972	LOCK ASSEMBLY-PRIVATE-RH \$.....	1		] N.America
	BHH 973	LOCK ASSEMBLY-PRIVATE-LH \$.....	1		
24	AHA 7404	Barrel-lock \$.....	NLA		
26	37H 3387	Clip-retaining \$.....	NLA		
	AHA 7405	Clip-private lock.....	2		
	BHH 851	Pin-anti-burst unit \$.....	2		
	BHH 852	Plate-anti-burst unit \$.....	2		

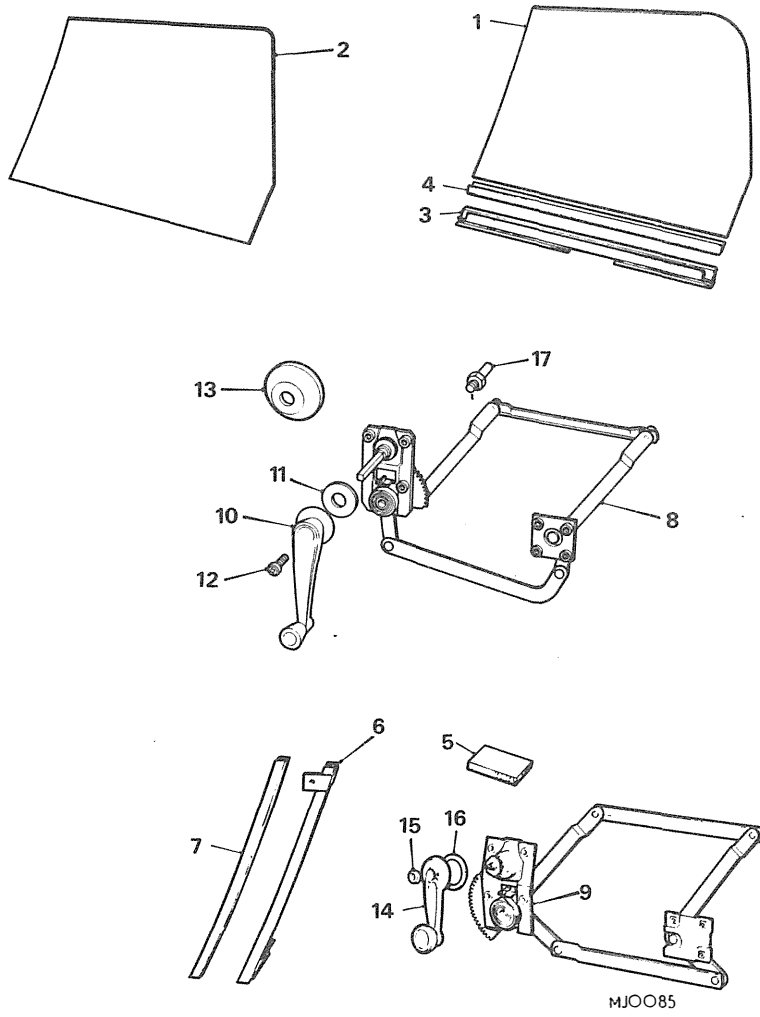




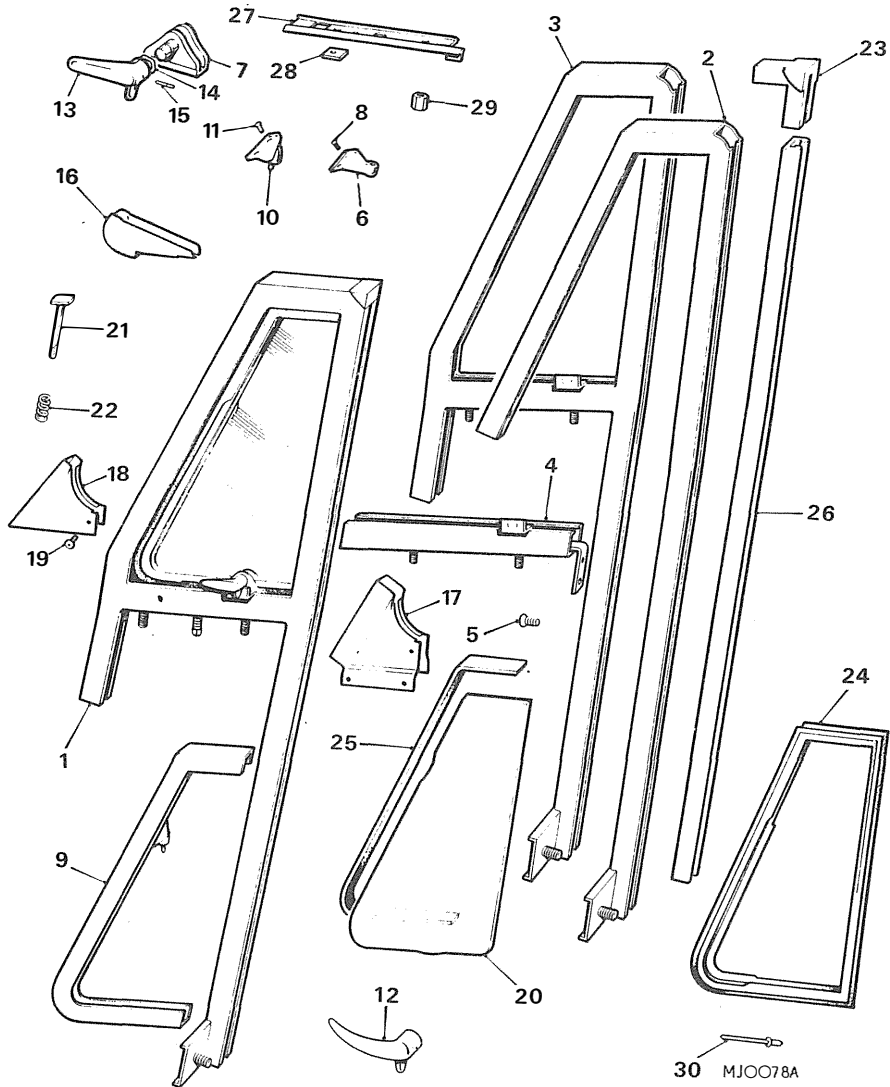
MJ0085

Ill. No.	Part No.	DESCRIPTION	Qty.	Change Point	REMARKS
<b>DOOR WINDOWS AND WINDOW MECHANISM</b>					
1	AHH 6380	Glass-door-RH \$.....	1		} Tourer
	AHH 6381	Glass-door-LH \$.....	1		
2	AHH 7415	Glass-door-RH \$.....	1		} GT-except V8
	AHH 7416	Glass-door-LH \$.....	1		
2	BHH 311	Glass-door(Tinted)-RH \$.....	1		} GT.
	BHH 312	Glass-door(Tinted)-LH \$.....	1		
3	AHH 7417	Channel-lower.....	NLA	(B)MGB-57986 TO 110292(plus 57830) (C)GBD-101 TO 21777	
3	AHH 8721	Channel-lower.....	2	(C)G-HN4-138401 TO 187210 (C)G-HN5-187211 TO 410000 (C)G-HD4-138472 TO 187840 (C)G-HD5-187841 TO 410350 (C)G-D2D1-101 TO 2903	
4	37H 4297	Rubber-glazing-20"(51cm).....	A/R		Supplied in multiples of metres
5	AHH 6434	Buffer-glass stop bracket.....	2		} Tourer
6	AHH 8403	CHANNEL ASSEMBLY-REAR-RH .....	1	(B)MGB-57986 TO 110292(plus 57830) (C)G-HN4-138401 TO 187210 (C)G-HN5-187841 TO 410000	
	AHH 8404	CHANNEL ASSEMBLY-REAR-LH.....	1		} UseAHH 9426 GT
6	AHH 8406	CHANNEL ASSEMBLY-REAR-RH .....	NLA	Use prior to AHH 9426/7	
	AHH 8407	CHANNEL ASSEMBLY-REAR-LH.....	1	(C)G-HD5-196923 TO 410350 (C)G-D2D1-101 TO 2903	
	AHH 9426	CHANNEL ASSEMBLY-REAR-RH .....	1		
	AHH 9427	CHANNEL ASSEMBLY-REAR-LH.....	1		
7	AHH 8405	Channel-flexible.....	4		
	PMZ 406	Screw-channel to door .....	2		
	FNZ 104	Nut-channel to door .....	2		
	PWZ 104	Washer-plain.....	2		
	LWZ 204	Washer-spring .....	2		

\$ This item is subject to safety regulations

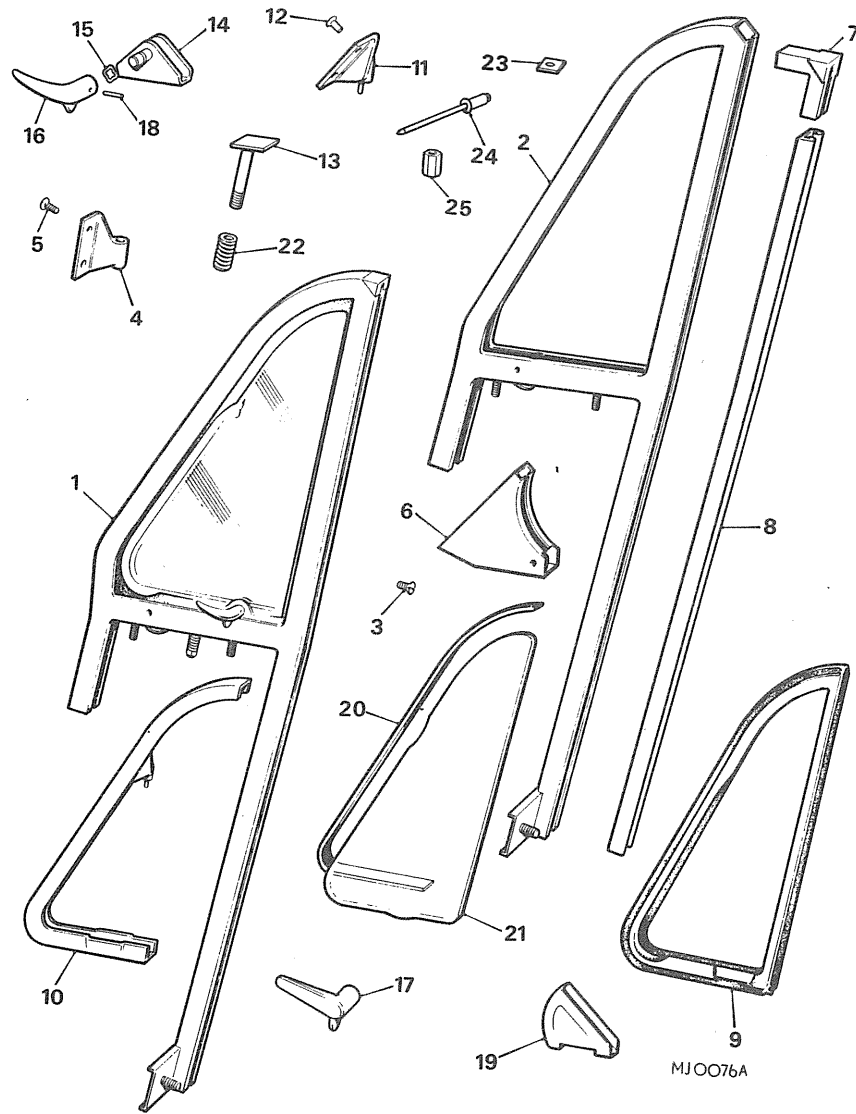


Ill. No.	Part No.	DESCRIPTION	Qty.	Change Point	REMARKS
<b>DOOR WINDOWS AND WINDOW MECHANISM-continued</b>					
	HZA 361	Regulator-window-LH.....	NLA	(B)MGB-101 TO 57985(less 57830)	
8	HZA 2118	Regulator-window-RH .....	1	(B)MGB-57986 TO 110292(plus 57830)	
	HZA 2119	Regulator-window-LH.....	1	(B)GBD-101 TO 21777	
9	HZA 664	Regulator-window-RH \$ .....	1	(C)G-HN4-138401 TO 187210	
	HZA 665	Regulator-window-LH \$ .....	1	(C)G-HN5-187211 TO 410000	
				(C)G-HD4-139472 TO 187840	
				(C)G-HD5-187841 TO 410350	
				(C)G-D2D1-101 TO 2903	
	HZS 404	Screw-regulator .....	A/R		
	PWZ 204	Washer-plain .....	A/R		
	LWZ 204	Washer-spring .....	A/R		
10	34G 2528	Handle-regulator.....	2		Use prior to CZA 7109
11	ADA 5669	Washer-handle(fibre).....	4		
12	ADH 834	Screw-handle.....	2		
13	LWZ 203	Washer-spring .....	2		
13	AHH 6336	Escutcheon-handle.....	NLA		
14	CZA 7109	Handle-window regulator \$ .....	1	(C)G-HN4,G-HD4 138401 TO 187210(TOURER)	
	CZA 7194	Screw-flanged.....	2	187840(GT)	
16	CZA 2279	Washer(fibre) .....	2	(C)G-HN5-187211 TO 410000	
	PMP 308	Screw-handle to door.....	2	(C)G-HD5-187841 TO 410350	
	LWZ 203	Washer-spring .....	2	(C)G-D2D1-101 TO 2903	
17	AHH 7560	Stop-regulator arm.....	2		
	FNZ 205	Nut-stop.....	2		
	PWZ 205	Washer-plain.....	2		
	WL 600051	Washer-spring .....	2		



Ill. No.	Part No.	DESCRIPTION	Qty.	Change Point	REMARKS
<b>VENTILATOR-TOURER</b>					
1	18G 8472	VENTILATOR ASSEMBLY-RH \$	NLA	} (C)G-HN3-101 TO 65864	Use BHH 706 Use BHH 707
	18G 8473	VENTILATOR ASSEMBLY-LH \$	NLA		
	18G 8480	VENTILATOR ASSEMBLY-RH \$	NLA		
	18G 8481	VENTILATOR ASSEMBLY-LH \$	NLA		
1	BHH 706	VENTILATOR ASSEMBLY-RH \$	1	} (C)G-HN4-138401 TO 187210	
	BHH 707	VENTILATOR ASSEMBLY-LH \$	1		
2	17H 2493	Frame-outer-RH	1	} (C)G-HN5-187211 TO 279339	
	17H 2494	Frame-outer-LH	1		
3	27H 4896	Frame-outer-RH	1	} (C)G-HN3-65865 TO 138400	
	27H 4897	Frame-outer-LH	1		
3	BHH 700	Frame-outer-RH	1	} (C)G-HN4-138401 TO 187210	
	BHH 701	Frame-outer-LH	1		
4	17H 2495	Rail-waist-RH	NLA	} (C)G-HN5-187211 TO 279339	
	17H 2496	Rail-waist-LH	1		
5	17H 2497	Screw-bracket to frame	12	} (C)G-HN5-279340 TO 410000	
6	17H 2498	Bracket-top pivot-outer-RH	1		
6	17H 2499	Bracket-top pivot-outer-LH	NLA	} (C)G-HN3-101 TO 65864	
	BHH 708	Bracket-top pivot-outer-RH	1		
	BHH 709	Bracket-top pivot-outer-LH	1	} Use prior to BHH 708 and 709 (C)G-HN5-279340 TO 410000	
7	17H 2513	Bracket-handle(curved)	2		
7	37H 2975	Bracket-handle(flat)	2	} (C)G-HN5-279340 TO 410000	
8	17H 2500	Screw-bracket to frame	4		
9	17H 2507	FRAME ASSEMBLY-INNER-RH	1	} Use prior to BHH 702 and 703	
	17H 2508	FRAME ASSEMBLY-INNER-LH	NLA		
10	17H 2509	Pivot-top-RH	1	} (C)G-HN5-279340 TO 410000	
	17H 2510	Pivot-top-LH	1		
11	17H 2511	Rivet-pivot	4	} (C)G-HN5-279340 TO 410000	
	BHH 702	Frame-inner-RH	1		
	BHH 703	Frame-inner-LH	1	} (C)G-HN5-279340 TO 410000	
10	17H 2509	Pivot-top-RH	1		
	17H 2510	Pivot-top-LH	1	} (C)G-HN5-279340 TO 410000	
11	17H 2511	Rivet-pivot	4		
12	AFH 6532	Handle-locking-RH(curved)	1	} (C)G-HN5-279340 TO 410000	
	AFH 6533	Handle-locking-LH(curved)	1		
13	AHA 8446	Handle-locking-RH(flat)	1	} (C)G-HN5-279340 TO 410000	
	AHA 8447	Handle-locking-LH(flat)	1		
14	AHA 7473	Washer-anti-rattle-handle	2	} (C)G-HN5-279340 TO 410000	
15	AHA 7474	Pin-handle	2		

\$ This item is subject to safety regulations.

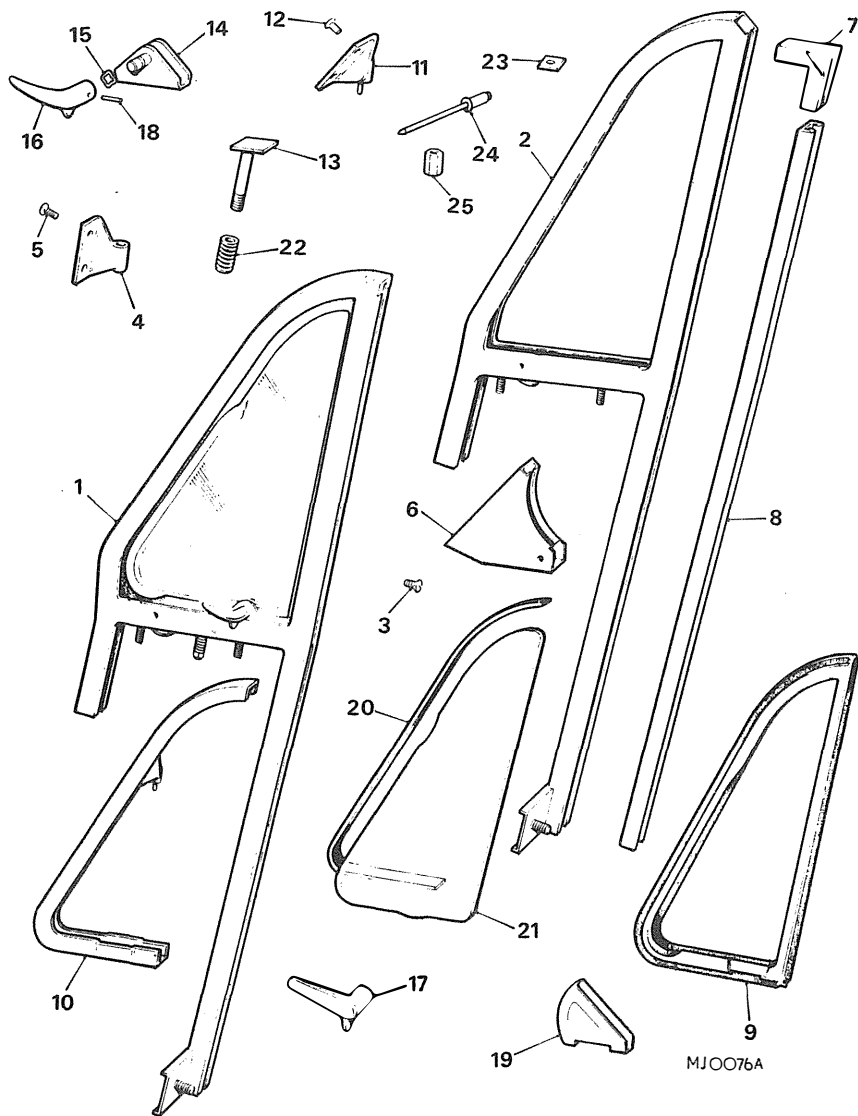


Ill. No.	Part No.	DESCRIPTION	Qty.	Change Point	REMARKS
----------	----------	-------------	------	--------------	---------

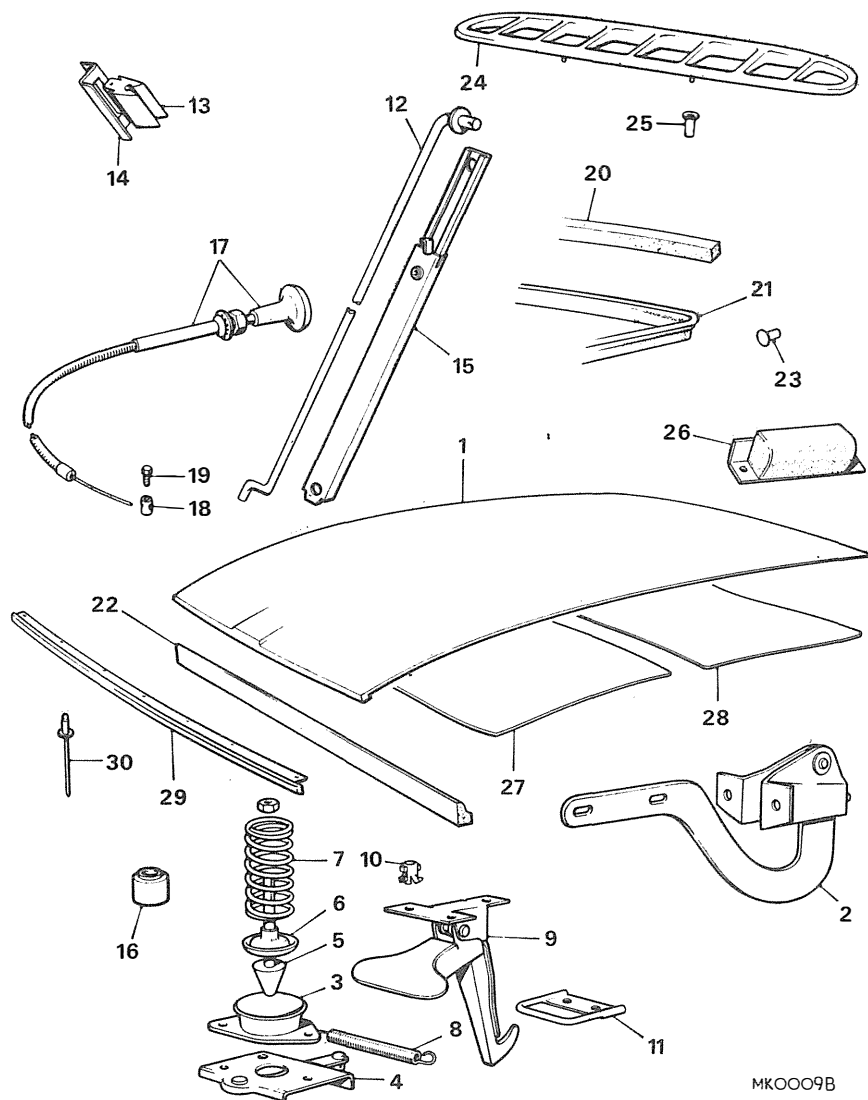
**VENTILATOR-GT AND V8-continued.**

7	AHH 8935	Block-corner(rubber).....	2		Use prior to AHA 9986 (C)G-HD5-279340 TO 410350 (C)G-D2D1- 101 TO 2903
7	AHA 9986	Block-corner(rubber).....	2		
8	AHH 7448	Channel-glass slide.....	2		
9	AHH 7435	Weatherstrip-RH.....	1		
	AHH 7436	Weatherstrip-LH.....	1		
10	27H 6887	FRAME ASSEMBLY-INNER-RH.....	1	] (C)G-HD3-71933 TO(+) (C)G-HD3-(+)TO 138400	
	27H 6888	FRAME ASSEMBLY-INNER-LH.....	NLA		
10	37H 4150	FRAME ASSEMBLY-INNER-RH.....	NLA		
	37H 4151	FRAME ASSEMBLY-INNER-LH.....	1	] (C)G-HD4-138401 TO 187840	
11	AHH 7694	Bracket-pivot-top-RH.....	1		
	AHH 7695	Bracket-pivot-top-LH.....	1	] (C)G-HD5-187841 TO 279339	
12	17H 2511	Screw.....	4		
10	BHH 714	Frame-inner-RH.....	1	] (C)G-HD5-279340 TO 410350 (C)G-D2D1-101 TO 2903	
	BHH 715	Frame-inner-LH.....	1		
11	AHH 7694	Bracket-pivot-top-RH.....	1		
	AHH 7695	Bracket-pivot-top-LH.....	1		
12	17H 2511	Screw.....	4		
13	AHH 7691	Shaft-pivot-bottom.....	2		Use prior to BHH 716 (C)G-HD5-279340 TO 410350 (C)G-D2D1- 101 TO 2903
13	BHH 716	Shaft-pivot-bottom.....	2		

(+) Change point not available.



Ill. No.	Part No.	DESCRIPTION	Qty.	Change Point	REMARKS
<b>VENTILATOR-GT AND V8-continued.</b>					
14	17H 2513	Bracket-handle .....	2		Except N.America and V8. N.America and V8.
14	37H 2975	Bracket-handle \$ .....	2		
15	AHA 7473	Washer-waved .....	2		
16	AFH 6532	Handle-locking-RH(curved) .....	1		
	AFH 6533	Handle-locking-LH(curved) .....	1		
17	AHA 8446	Handle-locking-RH(flat)\$ .....	1		
	AHA 8447	Handle-locking-LH(flat)\$ .....	1		
18	AHA 7474	Pin-handle .....	2		
19	27H 6885	Channel-drain-RH .....	1		
	27H 6886	Channel-drain-LH .....	1		
20	AHA 7486	Strip-glazing .....	2		
<b>GLASS-VENTILATOR</b>					
21	AHH 7686	RH \$ .....	1	} (C)G-HD3-101 TO 138400	} Except N.America and V8. V8.
	AHH 7687	LH \$ .....	1		
				} (C)G-HD5-187841 TO 279339 except N. America-219000 N.America	
21	BHH 754	RH \$ .....	1		
	BHH 755	LH \$ .....	1	} (C)G-D2D1-101 TO 2903	
21	BHH 758	Tinted-RH \$ .....	1		
	BHH 759	Tinted-LH \$ .....	1		
21	BHH 321	Tinted-RH \$ .....	1		
	BHH 322	Tinted-LH \$ .....	1		
21	BHH 758	Tinted-RH \$ .....	1		
	BHH 759	Tinted-LH \$ .....	1		
	PWZ 104	Washer-plain .....	8		
22	AHA 7544	Spring .....	2		
	LNZ 204	Nut .....	2		
	AAH 7529	Washer-ventilator seating .....	2		
23	AHH 7544	Reinforcement-front .....	2		
	AHH 7514	Reinforcement-rear .....	2		
24	KXR 416	Rivet-packing .....	2		
	LWZ 305	Washer-spring .....	4		
25	AHH 6343	Nut-ventilator to door .....	NLA		
	LWZ 204	Washer-spring .....	4		
	FNZ 104	Nut-ventilator to door .....	2		
	LWZ 204	Washer-spring .....	2		
	PWZ 104	Washer-plain .....	2		

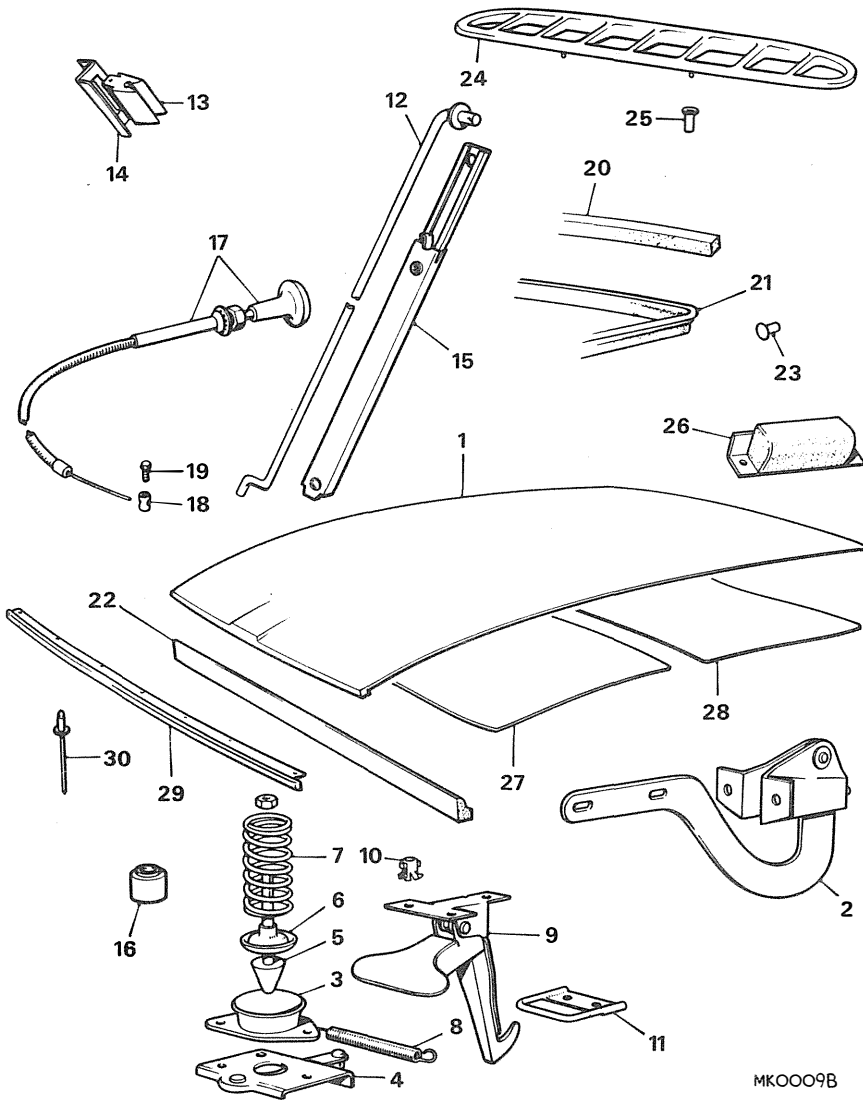


Ill. No.	Part No.	DESCRIPTION	Qty.	Change Point	REMARKS
----------	----------	-------------	------	--------------	---------

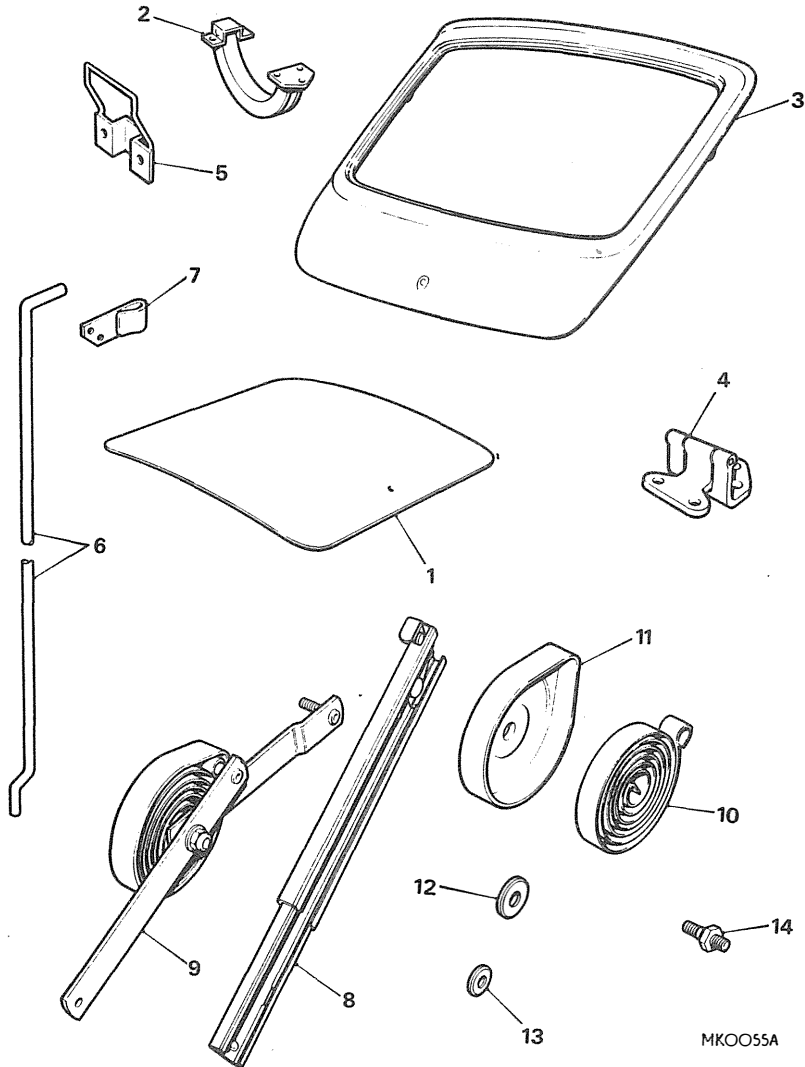
**BONNET AND CONTROL DETAILS-ALL VERSIONS.**

1	HZA 4015	Panel-bonnet except V8 \$	NLA		] Use HZA 4014 with BHH 1934.
1	HZA 4197	Panel-bonnet. V8	NLA		
1	HZA 4014	Panel-bonnet	1		
	BHH 1934	Bracket mounting	1		
	PJZ 1004	Screw	2		
	WE 702101	Washer	2		
2	HZA 364	Hinge-bonnet lid \$	2		
	SH 604061	Screw-hinge	4		
	HZS 405	Screw-hinge	4		
	PWZ 204	Washer-plain	10		
	LWZ 204	Washer-spring	10		
	FNZ 104	Nut-hinge-screw	6		
3	AHA 5543	Cup-lock locating \$	1		Use prior to HZA 4551 (C)G-HN5-360301 TO 410000 (C)G-HD5-361001 TO 410350 (C)G-D2D1-101 TO 2903
4	4G 3035	Plate-catch \$	1		
4	HZA 4551	Plate-catch \$	1		
	SF 604041	Screw-catch plate	3		
	LWZ 204	Washer-spring	3		
5	14G 2444	Pin-bonnet lock \$	1		
6	4G 3676	Thimble-bonnet lock \$	1		
7	HZA 563	Spring-bonnet lock \$	1		
8	4G 2494	Spring-catch plate return \$	1		
9	HZA 332	Catch-safety \$	1		
	PMZ 308	Screw-safety catch	3		
10	BHA 4338	Nut-anchor \$	3		
11	AHA 5617	Bracket-safety catch \$	1		
	PMZ 308	Screw-bracket	2		
	PWZ 203	Washer-plain	2		
	LWZ 203	Washer-spring	2		
12	AHH 7380	Rod-bonnet prop	1		] Use prior to AHA 9717.
	PWZ 105	Washer-plain	2		
13	2H 9215	Stop-rod(rubber)	1		
14	AHH 7091	Bracket-stop	2		
15	AHA 9717	Support-bonnet	1		] (C)G-HN5.G-HD5-219001 TO 410000 (C)G-D2D1-101 TO 2903
16	BHH 298	Spacer-support	2/1		
	SH 604081	Screw	2/1		
	SH 604071	Screw	1		
	LNZ 204	Nut	2		] (C)G-HN5.G-HD5-386601 TO 410000 (C)G-D2D1-2701 TO 2903
	BHH 1933	Spacer-support	1		
17	AHH 6426	Cable-bonnet pull control \$	1		
18	24G 1052	Trunion-cable \$	1		
19	53K 1016	Screw	1		
	FNZ 205	Nut-cable clip and fender screw	2		

\$ This item is subject to safety regulations.

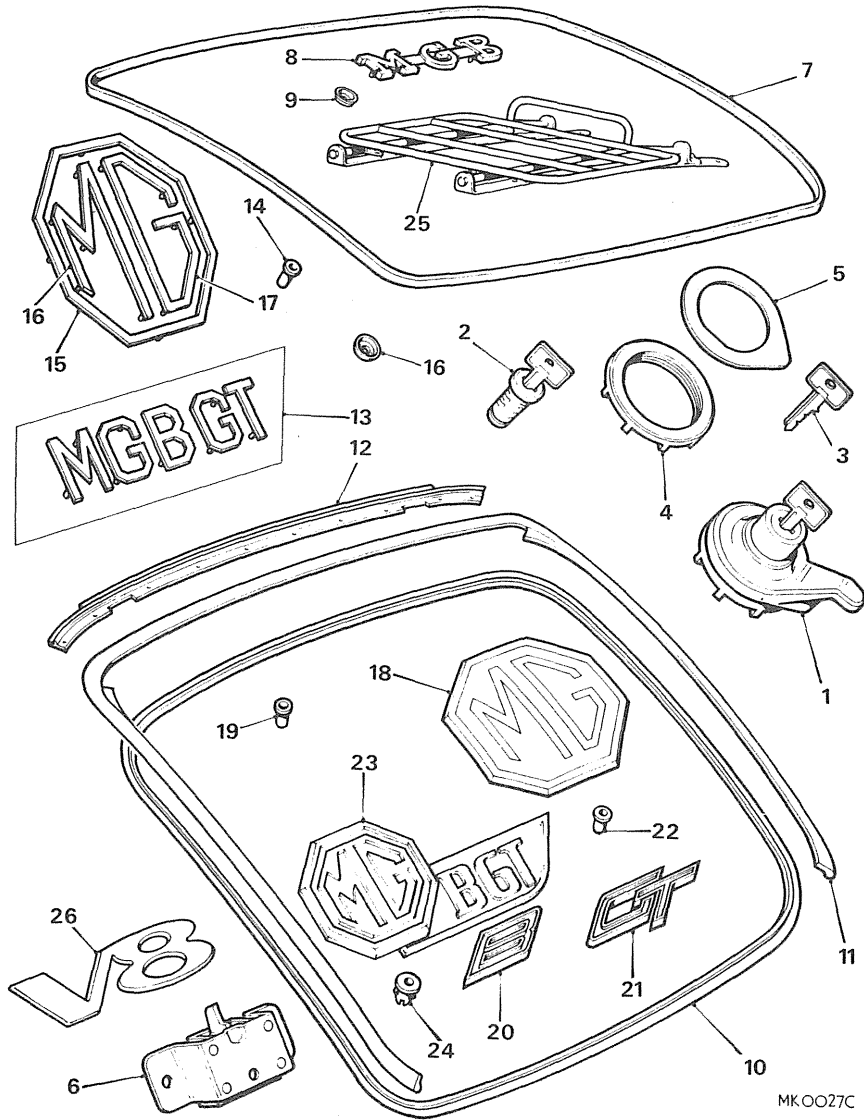


Ill. No.	Part No.	DESCRIPTION	Qty.	Change Point	REMARKS
<b>BONNET AND CONTROL DETAILS-ALL VERSIONS-continued.</b>					
20	AHH 7 120	Seal-bonnet-rear .....	1		Use prior to BHH 209 (C)G-HN4-138401 TO 187210 (C)G-HN5-187211 TO 410000 (C)G-HD4- 139472 TO 187840 (C)G-HD5-187841 TO 410350 (C)G-D2D1- 101 TO 2903
21	BHH 209	Seal-bonnet-rear .....	1		
22	AHH 7205	Seal-radiator diaphragm .....	1		
23	KXR 416	Rivet-bonnet seal.....	4		
	FWP 906	Washer-cup .....	4		
24	AHH 6102	Grille-air intake.....	1		Use prior to BHH 925/6 (C)G-HN5-289875 TO 410000 (C)G-HD5- 289875 TO 410350 (C)G-D2D1-101 TO 2903 (C)G-HN5-187211 TO 294250 (C)G-HD5-187841 TO 296000
25	BHA 4082	Fix-blind.....	6		
26	AHH 6523	Buffer-bonnet(rubber) .....	A/R		
	PMZ 306	Screw-buffer .....	A/R		
	LWZ 203	Washer-spring .....	A/R		
	FNZ 103	Nut-buffer screw.....	A/R		
		<b>PAD-INSULATING-BONNET LID</b>			
27	AHH 6761	Front.....	NLA		
28	AHH 6762	Rear.....	1		
27	BHH 925	Front.....	1		
28	BHH 926	Rear.....	1		
29	AHH 9888	Moulding-bonnet .....	1		Use BHH 925
30	DMP 721	Rivet.....	7		

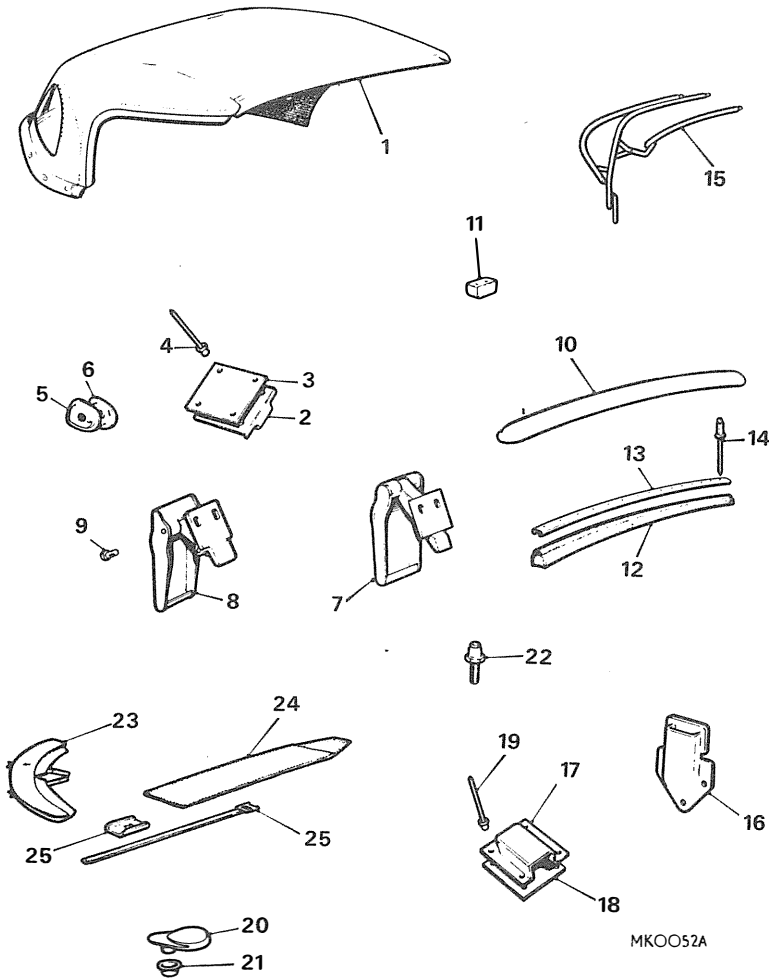


Ill. No.	Part No.	DESCRIPTION	Qty.	Change Point	REMARKS
<b>BOOT LID, TAILGATE AND FITTINGS-ALL VERSIONS.</b>					
1	HZA 3930	Lid-boot .....	1	Use prior to HZA 5511	} Tourer. GT
	HZA 5511	Lid-boot .....	1	(C)G-HN5-401000 (Approx.) TO 410000	
2	AHA 6314	Hinge-RH .....	1		
	AHA 6315	Hinge-LH .....	1		
	HZS 405	Screw .....	12		
	LWZ 204	Washer-spring .....	12		
3	HZA 3994	Tailgate .....	1		
4	HZA 2100	Hinge-RH .....	1		
	HZA 2101	Hinge-LH .....	1		
	CMZ 512	Screw-hinge to tailgate .....	4		
	FNZ 105	Nut-hinge to body .....	6		
	WL 600051	Washer-spring .....	6		
5	HZA 356	Striker-tailgate and boot lock .....	1		
	SH 604061	Screw .....	2		
	PWZ 104	Washer-plain .....	2		
	LWZ 204	Washer-spring .....	2		
6	AHH 6326	Stay-boot lid .....	1	(C)G-HN3-101 TO 138400	
	PWZ 104	Washer-plain .....	2	(C)G-HN4-138401 TO 187210	
7	AAA 1524	Clip-spring-stay .....	1	(C)G-HN5-187211 TO 219000	
	PTZ 603	Screw .....	2	(C)G-HN5-219001 TO 410000	
8	BHH 293	Support-boot lid .....	1		
	HZS 408	Screw .....	2		
	LNZ 204	Nut .....	2		
	PWZ 104	Washer .....	2		
9	AHH 7900	STAY ASSEMBLY-TAILGATE-RH .....	1		
	AHH 7901	STAY ASSEMBLY-TAILGATE-LH .....	1		
	PWP 204	Washer-plain .....	2		
	AWZ 106	Washer-anti-rattle .....	NLA		
	LNZ 104	Nut .....	2		
10	AHH 8049	Spring .....	2		
11	AHH 7899	Cover-spring .....	2		
12	AHH 7578	Cap-cover-large .....	2		
13	AHH 7579	Cap-cover-small .....	2		
14	AHH 7575	Stud-pivot-stay .....	2		
	LNZ 205	Nut-lock-stud .....	2		
	PWZ 205	Washer-plain .....	2		
	LWZ 205	Washer-spring .....	2		
15	14B 1981	Nut-dome-stay .....	2		
	LWZ 404	Washer-shakeproof .....	4		
	PWZ 204	Washer-plain .....	4		
	AWZ 106	Washer-anti-rattle .....	NLA		

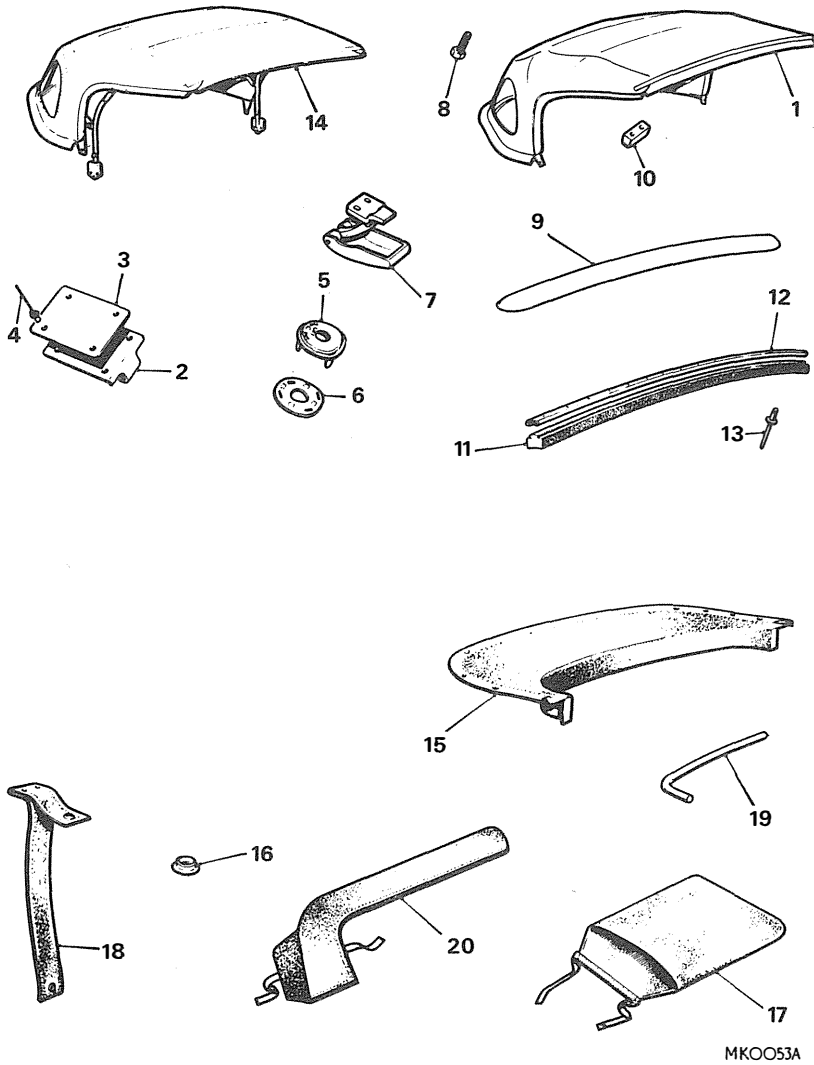




Ill. No.	Part No.	DESCRIPTION	Qty.	Change Point	REMARKS
<b>BOOT LID, TAILGATE AND FITTINGS-ALL VERSIONS-continued.</b>					
1	AHH 6179	PUSH BUTTON-BOOT LID LOCK.....	1		
2	17H 3753	Barrel-lock .....	1		
4	ADA 5698	Nut .....	1		
5	AHH 6180	Washer-seating-push-button .....	1		
6	AHH 7450	Latch-lock .....	1		
	PMZ 308	Screw .....	4		
	PWZ 103	Washer-plain.....	4		
	LWZ 203	Washer-spring .....	4		
	PTZ 602	Screw .....	1		
7	AHH 6535	Rubber-sealing-boot lid .....	1		
	HZA 5386	Seal-boot lid .....	1		Use prior to HZA 5386 (C)G-HN5-401000 (Approx.) TO 410000
8	AHH 6079	Motif 'MGB'.....	1		GT. Tourer.
9	BHA 4558	Push-on fix-motif .....	2		
10	AHH 7833	Rubber-sealing-boot lid-inner .....	1		GT.
11	AHH 9778	Rubber-sealing-boot lid-outer.....	1		
12	AHH 7818	Retainer-outer sealing rubber .....	1		GT.
	PTZ 603	Screw-retainer .....	10		
13	18G 8766	Motif-MGB-GT-tailgate .....	1		GT.
14	BDA 500	Fix-blind .....	5		
9	BHA 4553	Push-on fix.....	5		GT.
15	AHH 5261	Surround-badge .....	1		
16	ADH 2475	Letter 'M' .....	1		Tourer. GT.
17	ADH 2476	Letter 'G' .....	1		
9	BHA 4553	Push-on fix.....	13		Tourer. GT.
14	BDA 500	Fix-blind.....	4		
9	BHA 4553	Push-on fix.....	9		Tourer.
18	34G 252	Badge-trunk lid-Silver letters .....	1		
18	CHA 545	Badge-trunk lid-Silver letters .....	1		Use prior to CHA 545 (C)G-HN5-394008 TO 410000
18	CHA 508	Badge-trunk lid-Gold letters .....	1		GT.
	PFS 106	Push-on fix.....	3		
18	AHH 9927	Badge-trunk lid.....	1		GT.
	PFS 106	Push-on fix.....	2		
19	CZG 1864	Fix-blind.....	1		GT.
20	AHH 9926	Letter 'B'.....	1		
21	AHH 9925	Motif-GT.....	1		GT.
22	13H 217	Fix-blind.....	4		
23	BHH 855	Badge-trunk lid-Silver letters .....	1		GT.
23	HZA 5024	Badge-trunk lid-Silver letters .....	1		
	HZA 5021	Badge-trunk lid-Gold letters .....	1		Optional extra Tourer.
24	BHH 939	Fix-blind .....	3		
25	AHH 6946	CARRIER-LUGGAGE.....	NLA		Optional extra Tourer.
	PMP 516	Screw-carrier to boot lid .....	6		
	PWZ 105	Washer-plain.....	6		Optional extra Tourer.
	LNZ 205	Nut .....	6		
26	HZA 4700	Motif-V8-Silver.....	1		Optional extra Tourer.
26	HZA 5022	Motif-V8-Gold.....	1		



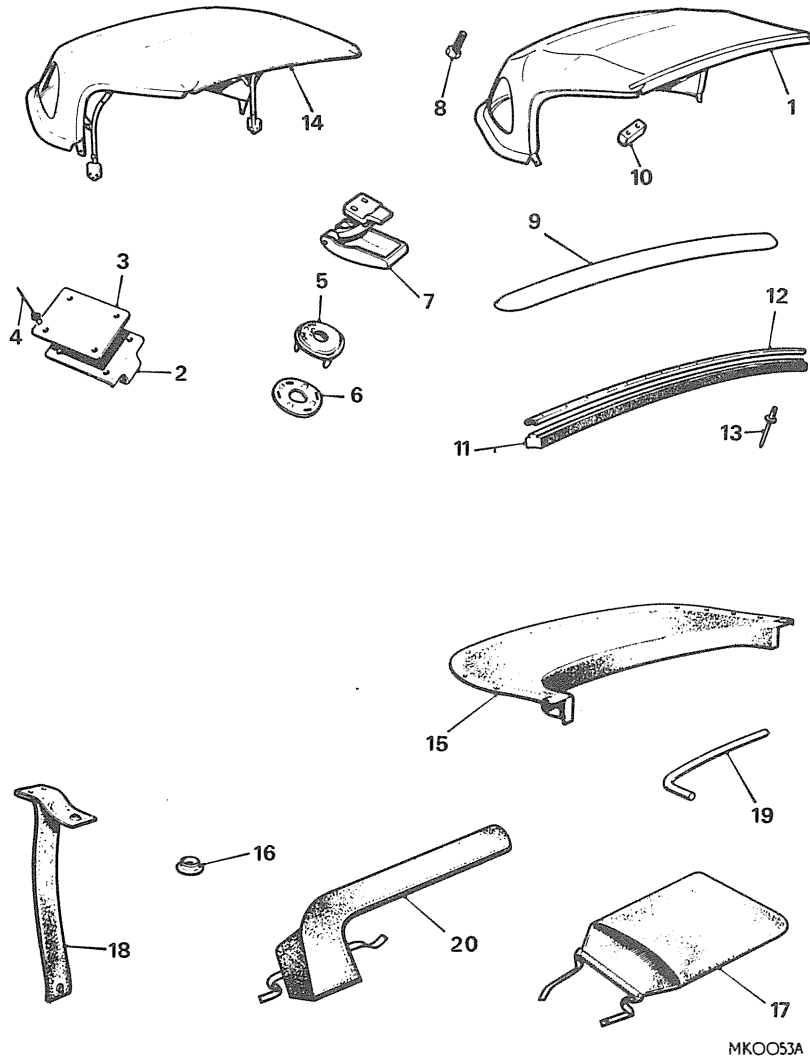
Ill. No.	Part No.	DESCRIPTION	Qty.	Change Point	REMARKS
<b>HOOD-TOURER</b>					
1	AHH 8516	COVER AND HEADER RAIL ASSEMBLY-BLACK.....	1		(C)G-HN3-101 TO 138400
2	AHH 6884	Tongue-hood fastener .....	2		(C)G-HN4-138401 TO 187210
3	AHH 6882	Backplate-hood fastener .....	2		(C)G-HN5-187211 TO 219000
4	DMP 829	Rivet .....	8		
5	LFS 107	Socket-fastener .....	8		
6	LFS 100	Washer-fastener .....	8		
7	AHH 6262	Fastener-hood .....	2		(C)G-HN3-101 TO 38387
8	AHA 7709	Fastener-hood .....	2		(C)G-HN3-38388 TO 138400
					(C)G-HN4-138401 Except Canada TO 219000
					(C)G-HN4-138401 TO 153877 Canada
8	AHA 8491	Fastener-hood \$ .....	2		(C)G-HN4-138401 USA 153878 Canada TO 219000
					N.America
	LWZ 203	Washer-spring .....	4		
9	53K 126	Screw .....	4		
10	BHH 496	Rail-header .....	1		
11	AHH 6439	Pad-header rail .....	2		
	CTZ 605	Screw .....	4		
12	AHH 6438	Seal-header rail .....	1		
13	AHH 6440	Retainer-seal .....	1		
14	DAP 829	Rivet .....	15		
15	AHH 6109	Frame-hood-RH .....	1		
	AHH 6110	Frame-hood-LH .....	NLA		
16	AHH 8391	Socket-locating-hood.....	2		
	PMP 412	Screw .....	6		
	LWZ 204	Washer-spring .....	6		(C)G-HN3-101 TO 13840
17	AHH 6883	Socket-hood fastener locating.....	2		(C)G-HN4-138401 TO 187210
18	AHH 6882	Backplate-socket .....	2		(C)G-HN5-187211 TO 219000
19	DMP 824	Rivet .....	8		
20	14B 1730	Plate-retaining-hood-rear.....	2		
21	AAA 5130	Washer-cup .....	2		
	PMZ 305	Screw .....	4		
	PWZ 203	Washer-plain.....	2		
	LWZ 203	Washer-spring .....	4		
22	97H 717	Peg-fastener .....	8		
	LWZ 203	Washer-spring .....	8		
	FNZ 103	Nut .....	8		
23	AHH 6754	Bag-hood frame-stowage.....	NLA		
24	AHH 6755	Bag-hood cover-stowage.....	1		
25	AHA 5217	Strap-hood stowage .....	NLA		
26	AHH 6866	Plate-strap to boot floor.....	4		
	PTZ 804	Screw .....	4		



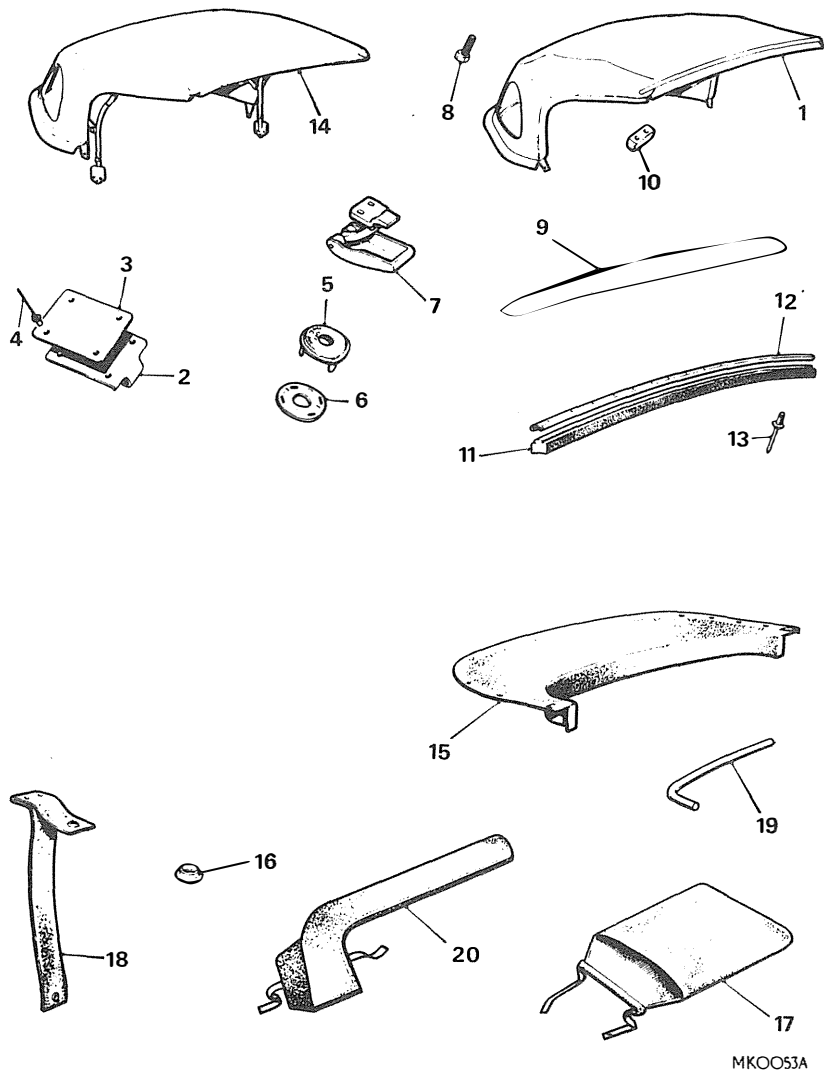
Ill. No.	Part No.	DESCRIPTION	Qty.	Change Point	REMARKS
<b>FOLDING HOOD-OPTIONAL EXTRA</b>					
1	AKE 5372	COVER AND HEADER RAIL ASSEMBLY-BLACK.....	1	(B)MGB-19259 TO 110292 (C)G-HN4-138401 TO 187210 (C)G-HN5-187211 TO 219000 (C)G-HN3-101 TO 138400 (C)G-HN4-138401 TO 187210 (C)G-HN5-187211 TO 219000 (C)G-HN3-101 TO 38387 (C)G-HN3-38388 TO 138400 (C)G-HN4-138401 Except Canada TO 219000 (C)G-HN4-138401 TO 153877 Canada	
2	AHH 6884	Tongue-hood fastener .....	2	] (C)G-HN3-101 TO 138400 (C)G-HN4-138401 TO 187210 (C)G-HN5-187211 TO 219000 (C)G-HN3-101 TO 38387 (C)G-HN3-38388 TO 138400 (C)G-HN4-138401 Except Canada TO 219000 (C)G-HN4-138401 TO 153877 Canada	
3	AHH 6882	Backplate-hood fastener .....	2		
4	DMP 829	Rivet .....	8		
5	LFS 107	Socket-fastener .....	8		
6	LFS 100	Washer-fastener socket .....	8		
7	AHH 6262	Fastener-hood .....	2		
7	AHA 7709	Fastener-hood \$ .....	2		
7	AHA 8491	Fastener-hood \$ .....	1		
	LWZ 203	Washer-spring .....	4		
8	53K 126	Screw .....	4		
9	BHH 496	Rail-header .....	1	(C)G-HN3-101 TO 138400	
10	AHH 6439	Pad-header rail .....	2	(C)G-HN4-138401 TO 187210	
	CTZ 604	Screw .....	4	(C)G-HN5-187211 TO 219000	
11	AHH 6438	Seal-header rail .....	1		
12	AHH 6440	Retainer-seal.....	1		
13	DAP 829	Rivet.....	15		
14	8G 9288	Frame-hood .....	1		
	CMZ 408	Screw .....	6		
	CMZ 428	Screw .....	6		

N.America

\$ This item is subject to safety regulations

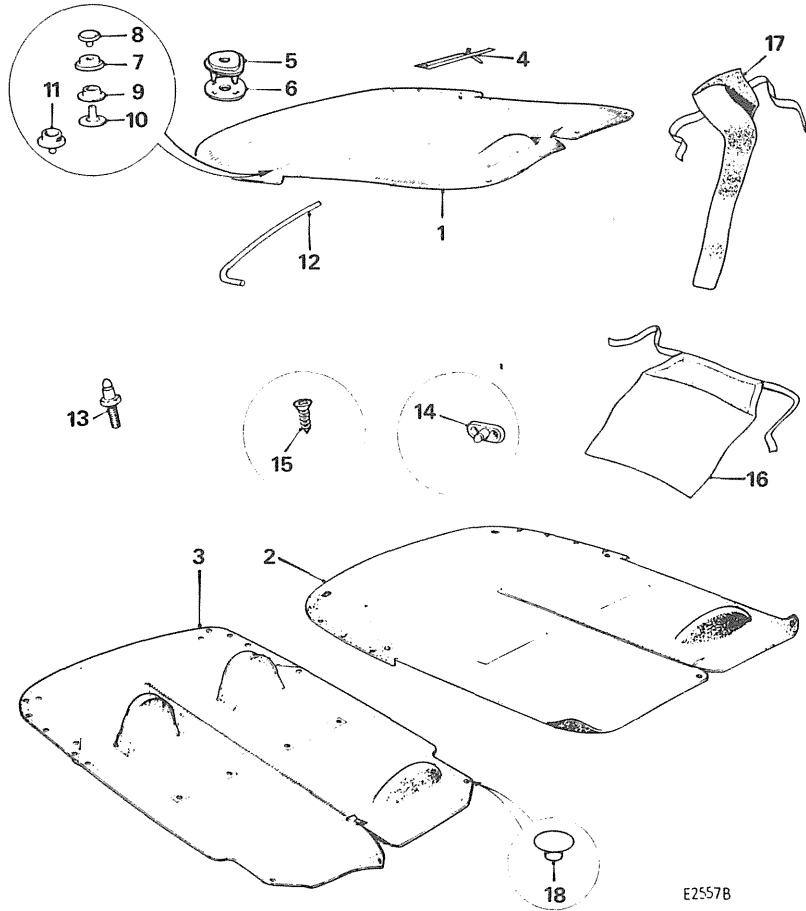


Ill. No.	Part No.	DESCRIPTION	Qty.	Change Point	REMARKS
<b>FOLDING HOOD COVER AND STOWAGE</b>					
15	AHH 9258	Cover-hood-black-N.America .....	1	(C)G-HN4-161343 TO 219000	
5	LFS 107	Socket-fastener .....	8		
6	LFS 100	Washer-socket .....	8		
2	AHH 6884	Tongue-fastener .....	2		
3	AHH 6882	Backplate-tongue fastener .....	2		
4	DMP 829	Rivet .....	8		
16	ADB 4811	Stud-compartment cover to rear quarter panel .....	4	(C)G-HN3-101 TO 138400	
	CTZ 605	Screw .....	4	(C)G-HN4-138401 TO 187210	
17	AHH 9276	Bag-stowage-hood compartment cover .....	1	(C)G-HN5-187211 TO 219000	
18	AHH 7200	Strap-hood stowage-21" long .....	2		
	RTZ 804	Screw .....	4		
	FWZ 208	Washer-cup .....	4		
19	AHH 6529	Rail-support-RH .....	1		
	AHH 6530	Rail-support-LH .....	1		
20	AHH 6757	Bag-rail stowage .....	1		



Ill. No.	Part No.	DESCRIPTION	Qty.	Change Point	REMARKS
<b>FOLDING HOOD-STANDARD FITMENT</b>					
1	BHH 905	COVER AND HEADER RAIL ASSEMBLY	1		
2	AHH 6884	Tongue-hood fastener	2		
3	AHH 6882	Backplate	2		
4	DMP 829	Rivet	8		
5	LFS 107	Socket-fastener	8		
6	LFS 100	Washer	8		
7	AHA 9772	Fastener-hood	2		
	LWZ 203	Washer-spring	4		
8	53K 126	Screw	4		
9	AHH 6437	Rail-header	1		
10	AHH 6439	Pad-header rail	2		
	CTZ 604	Screw	4	(C)G-HN5-219001 TO 410000	
11	AHH 6438	Seal-header rail	1		
12	AHH 6440	Retainer-seal	1		
13	DAP 829	Rivet	15		
14	BHH 346	Frame-hood	1		
	CMZ 408	Screw-frame to header	6		
	CMZ 428	Screw-frame to body	6		
	AHH 8391	Socket-locating-hood	2	(C)G-HN5-219001 TO 246724	
	BHH 611	Socket-locating-hood	2	(C)G-HN5-246725 TO 410000	
19	AHH 6529	Rail-support-RH	1		
	AHH 6530	Rail-support-LH	1	(C)G-HN5-219001 ON	
20	AHH 6757	Bag-rail stowage	1		
17	AHH 9276	Bag-stowage-hood cover	1	(C)G-HN5-219001 TO 294250	
17	CHA 127	Bag-stowage-hood cover \$	1	(C)G-HN5-294251 TO 410000	
16	BHA 4645	Stud-rear quarter inner panel	4		
	CTZ 605	Screw-stud	4	(C)G-HN5-219001 TO 410000	
	RTZ 804	Screw	4		
	FWP 208	Washer	4		
<b>COVER-HOOD STOWAGE</b>					
15	BHH 398	Black	1	(C)G-HN5-219001 TO 294250	] Not N.America
15	BHH 1050	Black \$	1	(C)G-HN5-294251 TO 410000	
15	BHH 398	Black	1	(C)G-HN5-219001 TO 268078	] N.America
15	BHH 732	Black	1	(C)G-HN5-268079 TO 294250	
15	BHH 1048	Black \$	1	(C)G-HN5-294251 TO 410000	
18	AHH 7200	Strap-hood stowage	2	(C)G-HN5-219001 TO 268078	
18	BHH 913	Strap-hood stowage \$	2	(C)G-HN5-268079 TO 410000	Was BHH 770
	14B 1730	Plate-retaining-hood-rear	2		

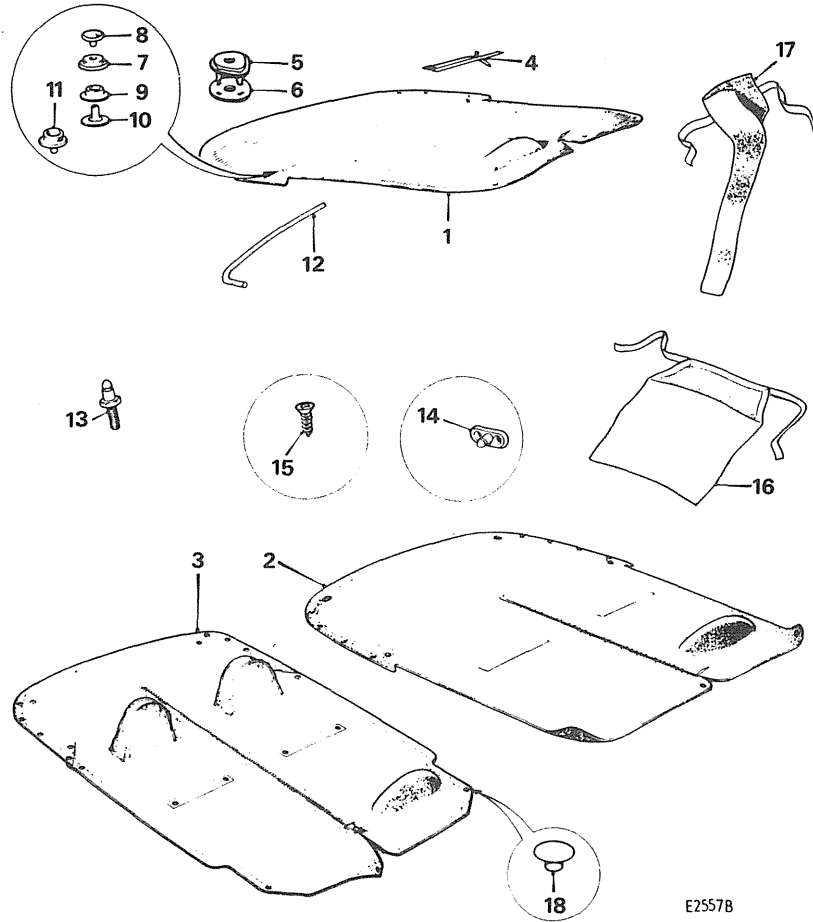
\$ This item is subject to safety regulations.



E2557B

III. No.	Part No.	DESCRIPTION	Qty.	Change Point	REMARKS	
<b>TONNEAU COVER-OPTIONAL EXTRA-STANDARD FOR N.AMERICA</b>						
<b>COVER ASSEMBLY-TONNEAU</b>						
1	BHH 1032	Black-RHD \$	1	] Use prior to BHH 1726 and 1732	Use when head RESTRAINT IS not fitted.	
2	BHH 1034	Black-LHD \$	1			
2	AHH 8848	Black-N.America,Sweden, Germany and Norway	1	Use prior to BHH 1040		
2	BHH 1040	Black-N.America,Sweden, Germany and Norway \$	1	(C)G-HN5-294251 TO 360300		
1	BHH 1726	Black-RHD	1	] (C)G-HN5-360301 TO 410000		
2	BHH 1732	Black-LHD	1			
3	AHH 9273	Black-N.America	1	(C)G-HN4-158371 TO 187210		
3	BHH 184	Black-N.America	1	(C)G-HN5-187211 TO 268078		
3	BHH 731	Black-N.America	1	(C)G-HN5-268079 TO 294250		Use when head restraint is fitted
3	BHH 1036	Black-N.America \$	1	(C)G-HN5-294251 TO 368081		
3	BHH 1730	Black-N.America \$	1	(C)G-HN5-368082 TO 410000		
3	BHH 184	Black-Sweden	1	(C)G-HN5-187211 TO 294250		
3	BHH 1046	Black-Sweden,Germany and Norway \$	1	(C)G-HN5-294251 TO 360300	USE BHH 1042. use BHH 1044.	
	BHH 542	Black-RHD	NLA	] Use prior to BHH 1042/1044		
3	BHH 543	Black-LHD	NLA			
3	BHH 1042	Black-RHD \$	1	(C)G-HN5-294251 TO 360300		
3	BHH 1044	Black-LHD \$	1	] (C)G-HN5-360301 TO 410000		
3	BHH 1727	Black-RHD	1			
3	BHH 1734	Black-LHD	1			

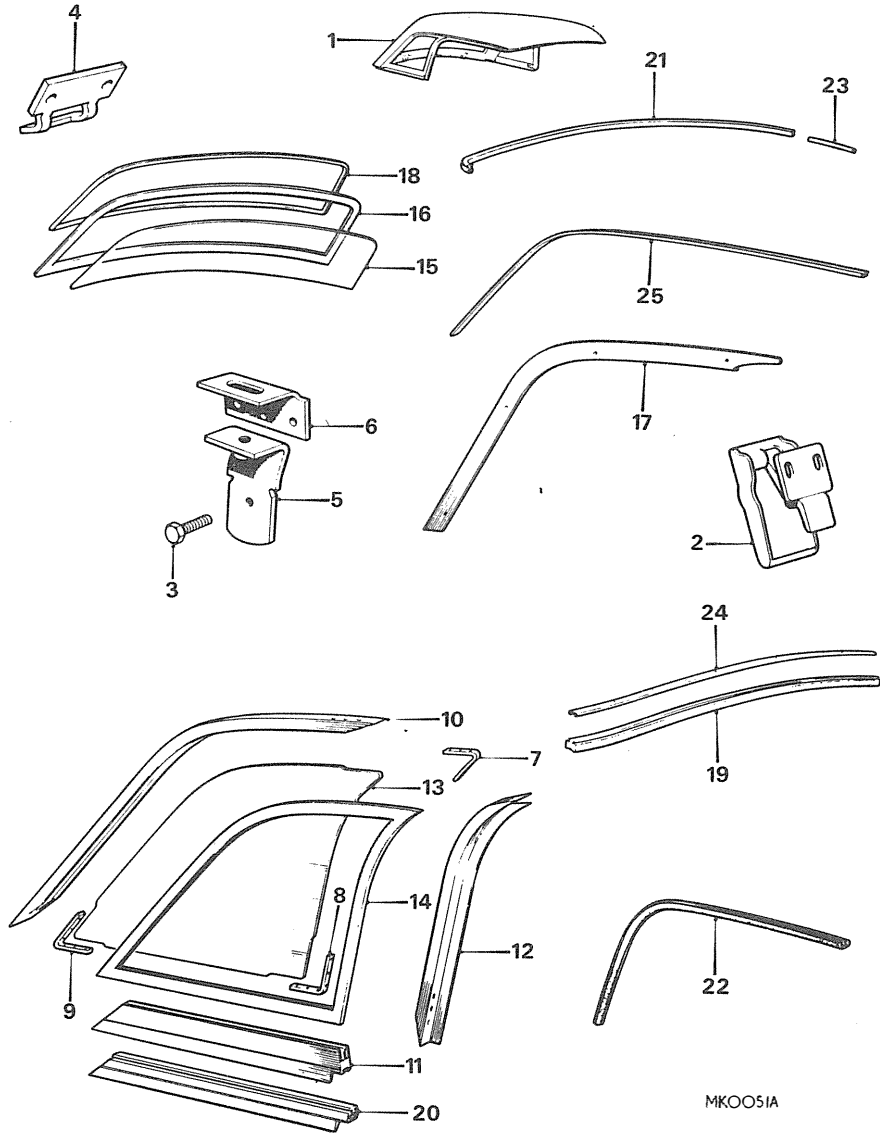
\$ This item is subject to safety regulations.



E2557B

Ill. No.	Part No.	DESCRIPTION	Qty.	Change Point	REMARKS
<b>TONNEAU COVER-OPTIONAL EXTRA-STANDARD FOR N.AMERICA-continued.</b>					
<b>FASTENER-ZIP</b>					
4	AHH 6910	106.68cm(42")-Red .....	1		Except N.America. N.America and Sweden.
4	AHH 6912	106.68cm(42")-Blue.....	1		
4	AHH 6911	106.68cm(42")-Black.....	1		
4	AHH 8896	111.7cm(44.5")-Black.....	1		
5	LFS 107	Socket-fastener .....	A/R		
6	LFS 100	Washer-socket.....	A/R		
7	7H 9866	Socket.....	A/R		
8	7H 9864	Button.....	6		
9	ADB 4811	Stud.....	A/R		
10	7H 9868	Eyelet.....	A/R		
11	17H 9962	Stud.....	2		
12	AHH 6529	Rail-support-RH.....	1		
	AHH 6530	Rail-support-LH.....	1		
13	97H 717	Peg-fastener .....	8		
	LWZ 203	Washer-spring .....	8		
	FNZ 103	Nut.....	8		
14	LFP 116	Peg-fastener .....	A/R		
	RTP 604	Screw-peg to heelboard.....	8		
15	ADB 4811	Stud-tonneau to rear wing.....	2		
	CTZ 604	Screw-stud.....	2		
16	AHH 9276	Bag-tonneau cover stowage .....	1		
16	CHA 127	Bag-tonneau cover stowage \$ .....	1		Use prior to CHA 127. (C)G-HN5-294251 TO 410000
17	AHH 6757	Bag-support rail stowage.....	1		
18	BHA 4645	Stud.....	2		N.America and Sweden.

MGB

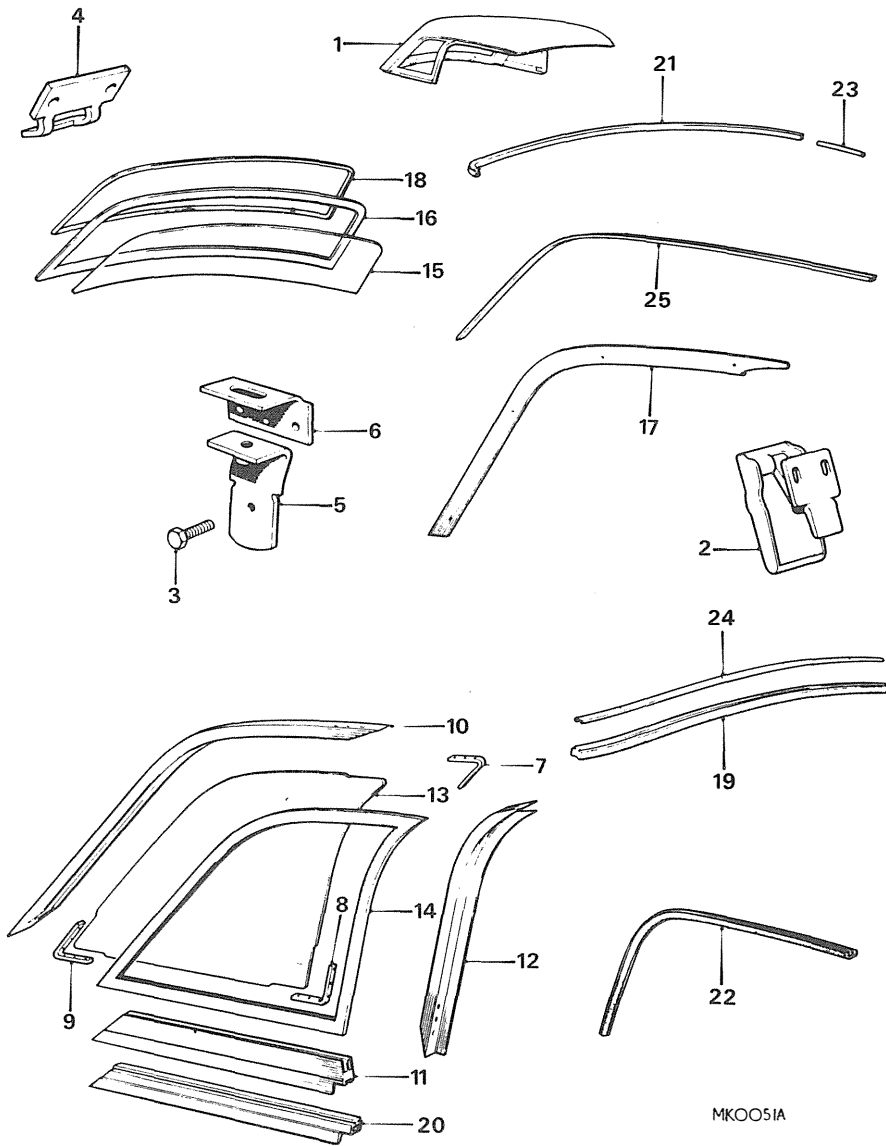


MGB-TOURER,GT AND V8-UPTO SEPTEMBER 1976

Ill. No.	Part No.	DESCRIPTION	Qty.	Change Point	REMARKS
<b>HARD TOP-OPTIONAL EXTRA</b>					
1	GSS 155	HARD TOP ASSEMBLY(PRIMED).....	1		
2	AHH 6262	Fastener .....	2		(C)G-HN3-101 TO 38387
2	AHA 7709	Fastener .....	2		(C)G-HN3-38388 TO 138400
					(C)G-HN4-138401 TO 153877(Canada) 187210(except Canada)
					(C)G-HN5-187211 TO 410000
2	AHA 8491	Fastener \$.....	2		N.America
3	53K 126	Screw .....	4		
	LWZ 203	Washer-spring .....	4		
4	AHH 7199	Bracket-locating-rear .....	2		
5	AHH 7203	Bracket-locating-side .....	2		
6	AHH 7202	Bracket-side .....	2		
7	AHH 7236	Bracket-quarter-window-front-top .....	2		
8	AHH 7235	Bracket-quarter-window-front-lower .....	2		
9	AHH 7237	Bracket-quarter-window-rear .....	2		
	PMP 308	Screw-fastener securing bracket.....	2		
	LWZ 203	Washer-spring .....	2		
	HZS 405	Screw-rear locating bracket.....	4		
	PWZ 104	Washer-plain .....	4		
	LWZ 204	Washer-spring .....	4		
	HZS 404	Screw-side locating bracket to hood socket .....	2		
	PWZ 104	Washer-plain .....	2		
	LWZ 204	Washer-spring .....	2		
	SH 605071	Screw-side locating bracket to side bracket.....	2		
	PWZ 105	Washer-plain .....	8		
	LWZ 203	Washer-spring .....	6		
	CMZ 204	Screw-window bracket-.25" (6.35mm) .....	24		

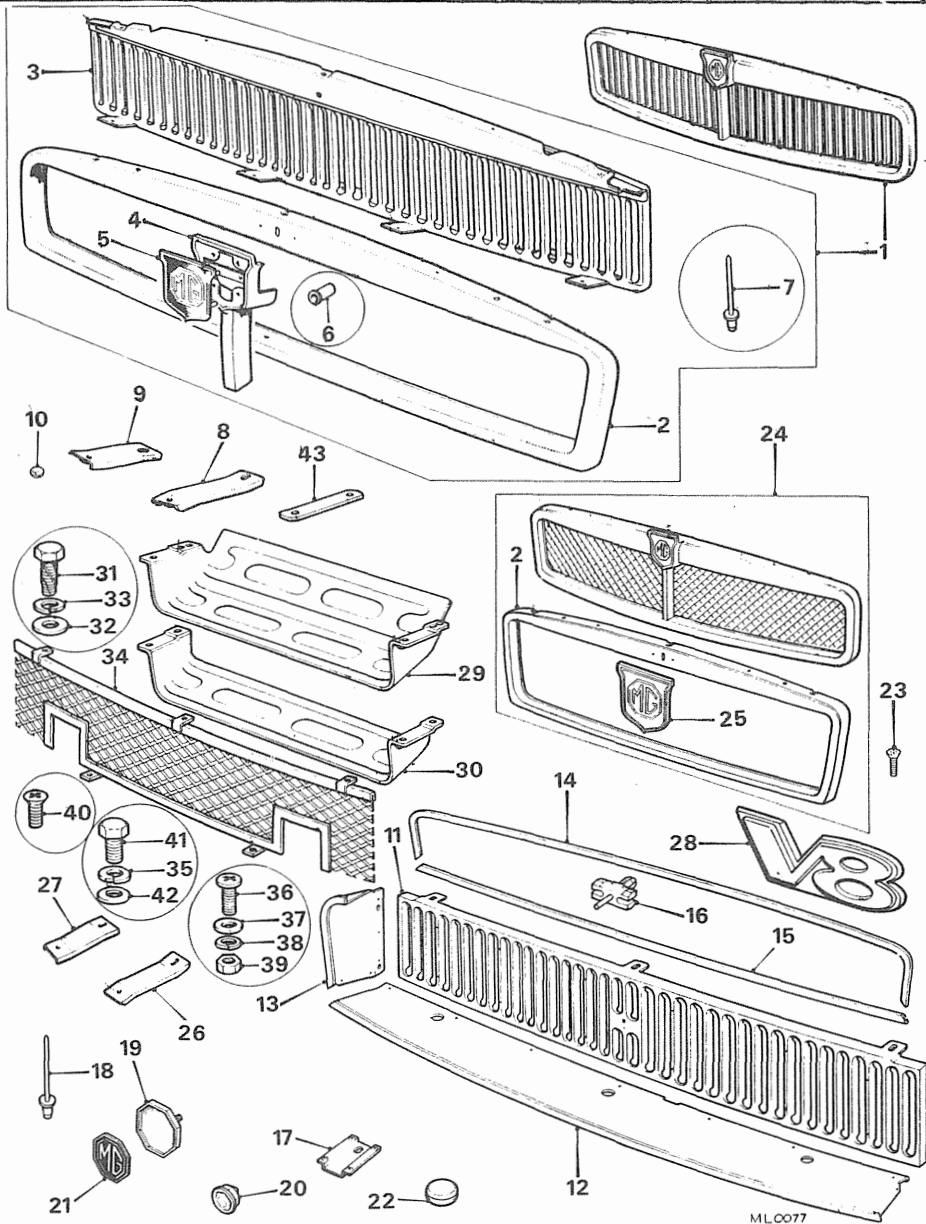


Ill. No.	Part No.	DESCRIPTION	Qty.	Change Point	REMARKS
<b>HARD TOP-OPTIONAL EXTRA-continued</b>					
10	AHH 7228	Rail-quarter-window-top-RH .....	1		
	AHH 7229	Rail-quarter-window-top-LH .....	1		
11	AHH 7230	Rail-quarter-window-bottom-RH .....	1		
	AHH 7231	Rail-quarter-window-bottom-LH .....	1		
12	AHH 7232	Rail-quarter-window-front-RH .....	1		
	AHH 7233	Rail-quarter-window-front-LH .....	1		
13	AHH 7234	Glass-quarter-window \$ .....	2		
14	17H 9357	Rubber-glazing-55'(140cm) .....	A/R		Supplied in multiples of metres(39.37")
15	AHH 7207	Back-light \$ .....	1		
16	AHH 7180	Rubber-back-light .....	1		
17	AHH 7274	Finisher-window-RH .....	1		
	AHH 7275	Finisher-window-LH .....	1		
18	27H 4798	Finisher-back-light .....	A/R		Supplied in 45 metres (50 yard)rolls
19	AHH 6438	Seal-header rail .....	1		
20	AHH 7247	Seal-window-lower-RH .....	1		
	AHH 7248	Seal-window-lower-LH .....	1		
21	AHH 7290	Seal-hard top to body .....	1		
22	BHH 1139	Seal-door top .....	2		
23	AHH 7292	Insert-sealing rubber-hard top to body .....	2		
	RTP 403	Screw-door seal .....	4		
	FWP 106	Washer-cup .....	NLA		FWP 206
	FWP 206	Washer-cup .....	4		
24	AHH 6440	Retainer-sealing rubber-header rail .....	1		
25	AHH 7276	Moulding drip-RH .....	1		
	AHH 7277	Moulding drip-LH .....	1		



MK0051A

\$ This item is subject to safety regulations



Ill. No.	Part No.	DESCRIPTION	Qty.	Change Point	REMARKS
<b>RADIATOR GRILLE.</b>					
1	ARH 218	CASE AND GRILLE-RADIATOR.....	1		
2	BHH 831	Case .....	1		
3	ARH 2043	Grille.....	1		
4	ARH 1800	Housing-bar and badge.....	1		
5	ARA 2148	Badge.....	1		
6	CZG 1864	Fix-blind-badge .....	4		
7	DNP 824	Rivet .....	6		
	CZZ 608	Screw .....	2		
	HZS 404	Screw .....	3		
	LWZ 204	Washer-spring .....	3		
	PWZ 104	Washer-plain.....	3		
	RMP 306	Screw .....	3		
8	HZA 489	Bracket-grille steady-centre.....	1		
9	HZA 490	Bracket-grille steady-side-RH.....	1		
	HZA 491	Bracket-grille steady-side-LH.....	1		
	PMZ 308	Screw .....	3		
	PWZ 103	Washer-plain.....	3		
	LWZ 203	Washer-spring .....	3		
	FNZ 103	Nut.....	3		
10	ADA 803	Buffer-grille top rail .....	2		
11	AHH 9889	Panel-grille \$.....	1		
12	AHH 9928	Panel-grille-lower \$.....	1		
13	AHH 9992	Panel-grille-side-RH \$.....	1		
	AHH 9993	Panel-grille-side-LH \$.....	1		
14	AHH 9922	Finisher-grille-upper .....	1		
15	AHH 9923	Finisher-grille-lower .....	1		
16	BHA 5008	Clip-finisher.....	12		
17	AHH 9910	Bracket-grille-lower.....	3		
18	DAP 823	Rivet-grille panel.....	17		
19	AHH 9924	Bezel-badge.....	1		
20	ARA 982	Fastener-bezel .....	1		
21	AHA 9318	Motif .....	1		
	PMZ 410	Screw-grille to duct panel .....	3		
	PWZ 104	Washer-plain.....	3		
	LWZ 404	Washer-spring.....	3		
22	RFR 210	Plug.....	3		
23	AHA 8706	Screw-grille to body.....	2		
	PFS 510	Nut-spring .....	3		
	PJZ 1004	Screw-nut .....	3		

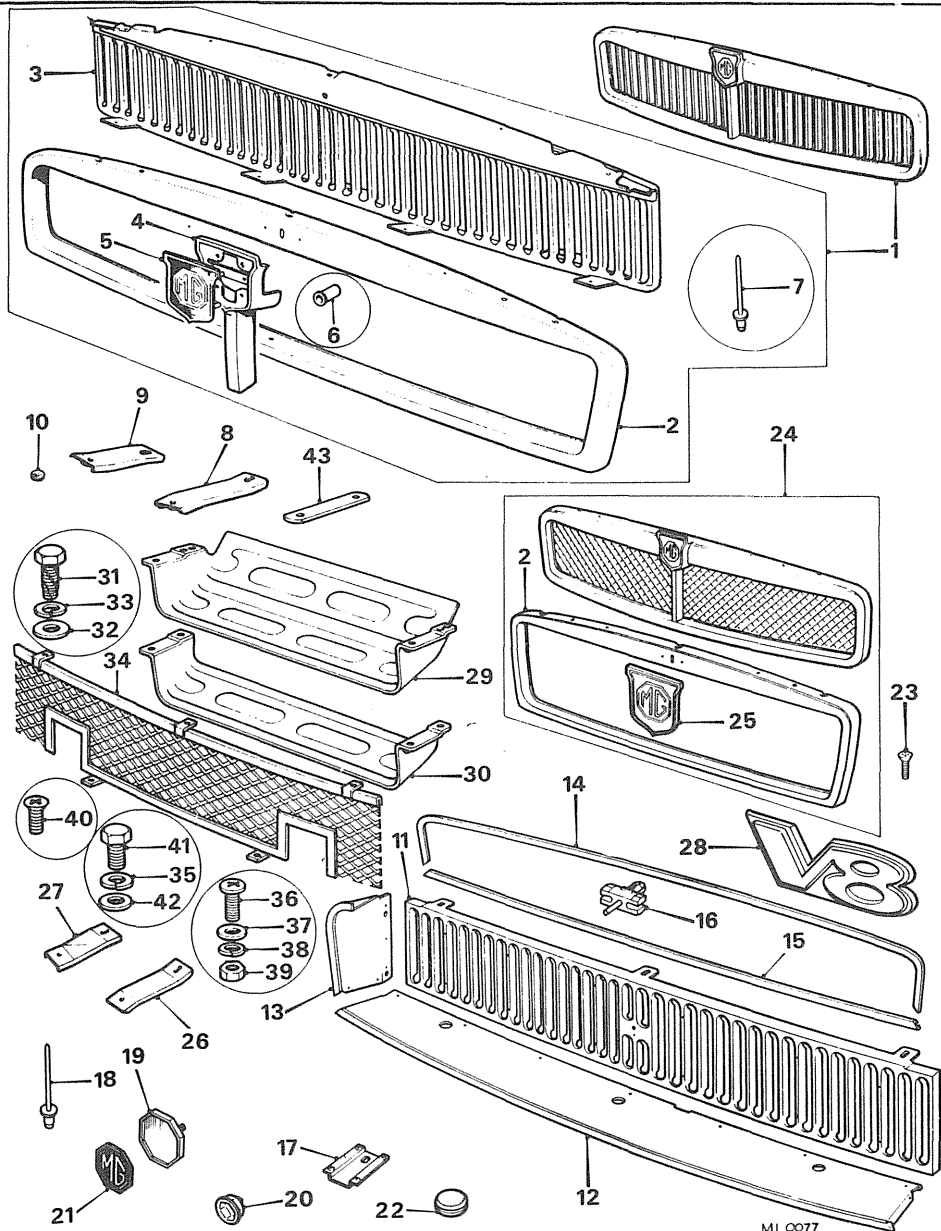
(C)G-HN3,G-HD3-101 TO 138400  
(C)G-HN4-138401 TO 187210  
(C)G-HD4-138401 TO 187840

(C)G-HN5-187211 TO 294250  
(C)G-HD5-187841 TO 296000

\$ This item is subject to safety regulations

MGB

MGB-TOURER,GT AND V8-UP TO SEPTEMBER 1976



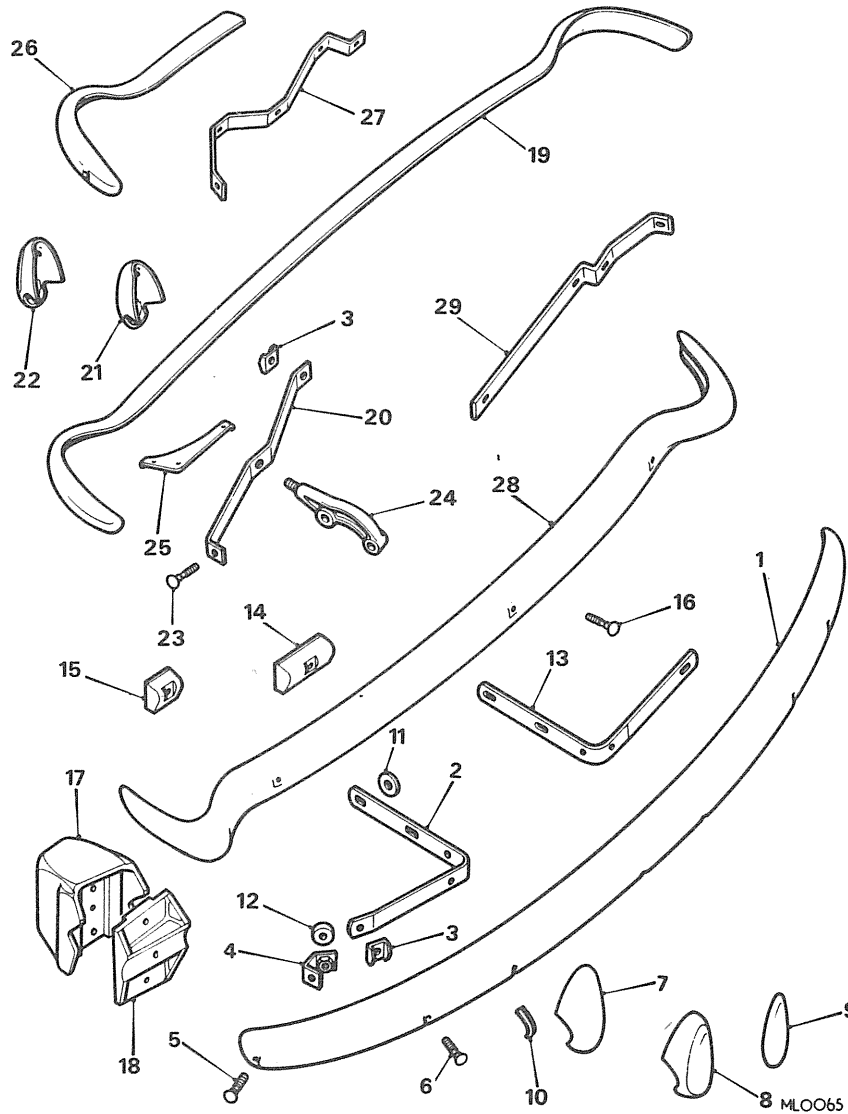
MLC077

Ill. No.	Part No.	DESCRIPTION	Qty.	Change Point	REMARKS
----------	----------	-------------	------	--------------	---------

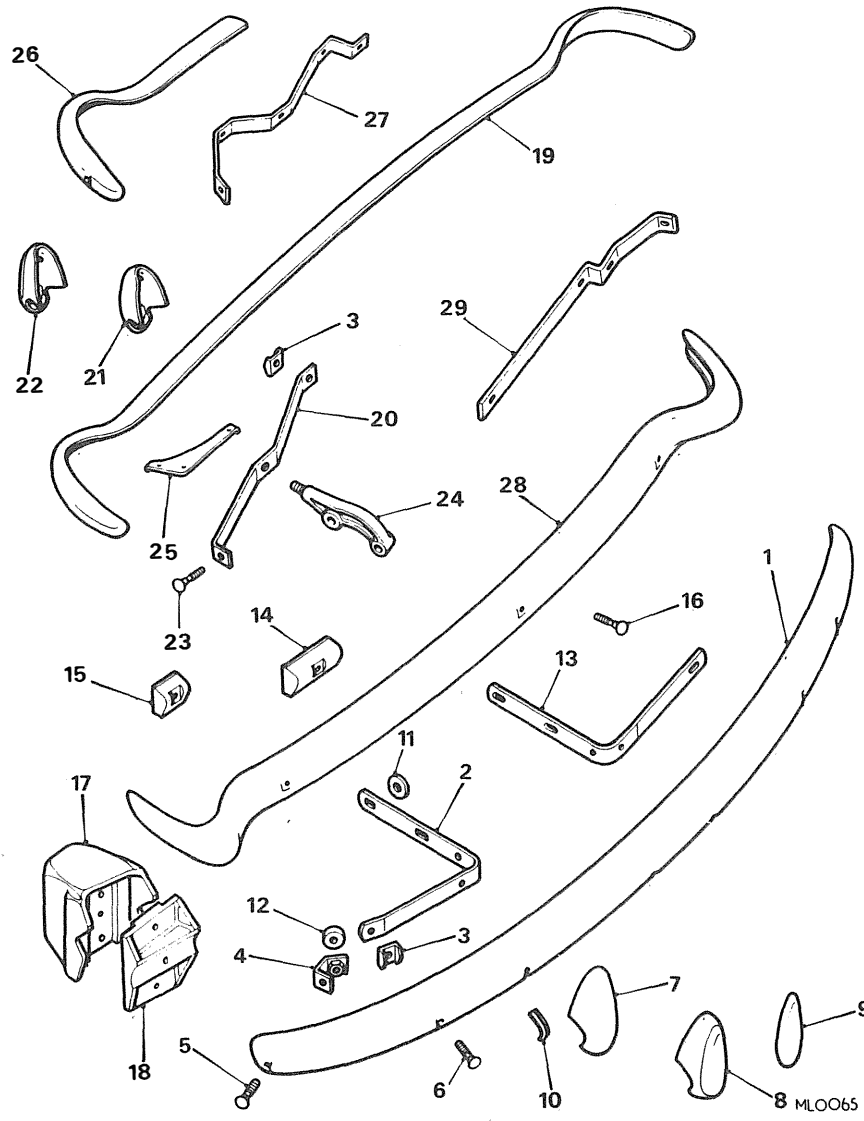
**RADIATOR GRILLE-continued**

24	BHH 824	GRILLE ASSEMBLY-RADIATOR.....	1		
2	BHH 831	Case-grille.....	1		
25	BHH 829	Motif-MG.....	1		
26	HZA 2309	Bracket-steady-grille centre.....	NLA		
27	HZA 2300	Bracket-steady-grille side-RH.....	1		
	HZA 2301	Bracket-steady-grille side-LH.....	1		
36	PMZ 308	Screw-steady bracket to bonnet lock platform.....	3		(C)G-HN5-294251 TO 360300
37	PWZ 103	Washer-plain.....	3		(C)G-HD5-296001 TO 361000
38	LWZ 203	Washer-spring.....	3		
39	FNZ 103	Nut.....	3		(C)G-D2D1-101 TO 2100
10	ADA 803	Buffer-top rail-grille.....	2		
40	RMP 308	Screw-grille to steady bracket.....	3		
41	HZS 404	Screw-grille to radiator duct panel.....	3		
42	PWZ 104	Washer-plain.....	3		
35	LWZ 204	Washer-spring.....	3		
28	HZA 4701	Motif-V8.....	1		
29	BHH 1622	Panel-air duct-lower.....	1		
30	BHH 1614	Panel-air duct-lower.....	1		
43	BHH 1616	Strap-duct panel.....	2		
32	PWZ 204	Washer-plain.....	2		(C)G-HN5-360301 TO 410000
33	WL 600041	Washer-spring.....	4/6		(C)G-HD5-361001 TO 410350
34	BHH 1753	GRILLE ASSEMBLY-AIR INTAKE.....	1		(C)G-D2D1-2101 TO 2903.
	AB 608041	Screw-grille to bonnet locking platform.....	3		
	PWZ 203	Washer-plain.....	5		

Except V8.  
V8.

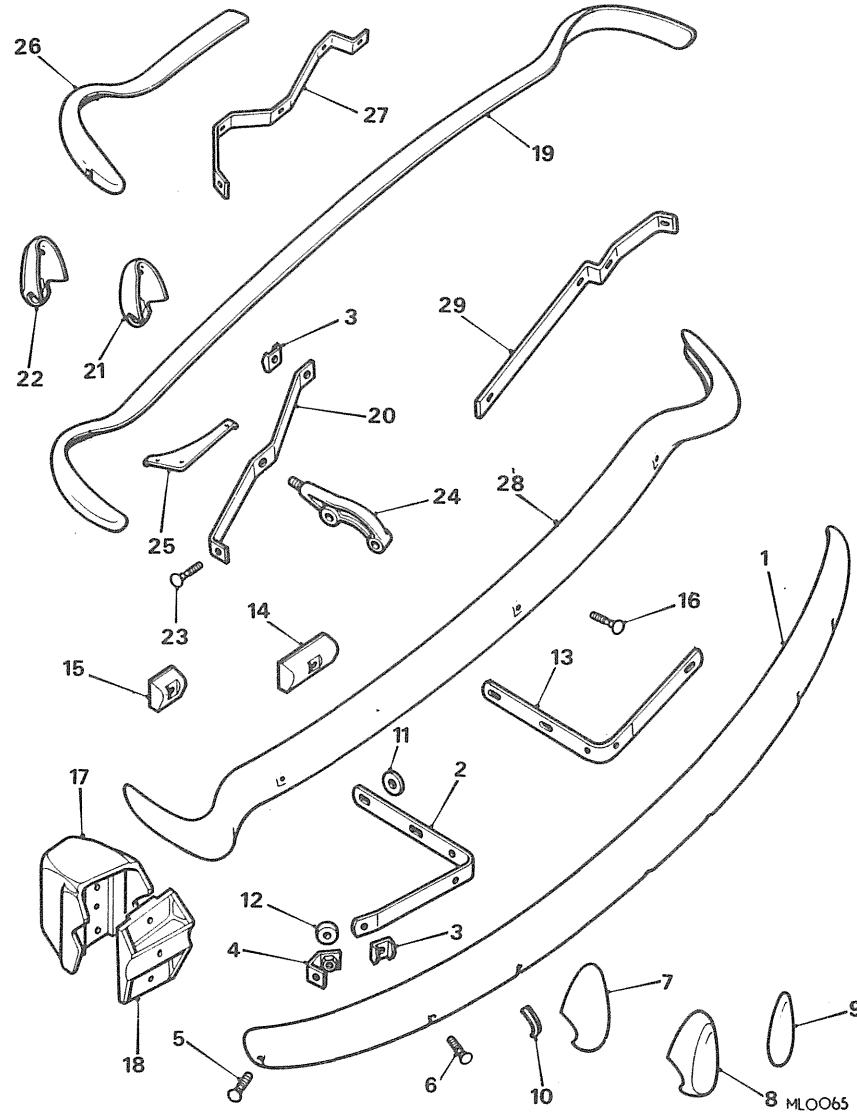


Ill. No.	Part No.	DESCRIPTION	Qty.	Change Point	REMARKS
<b>FRONT BUMPERS-NOT N.AMERICA.</b>					
1	AHH 6208	Bar-bumper-front .....	1		Use prior to (C)G-HN5-360301, G-HD5-361001 and G-D2D1-2101
2	AHH 6209	Bar-spring-RH .....	1		
	AHH 6210	Bar-spring-LH .....	1		
3	AHH 6216	Washer-distance .....	6		
4	AHH 6215	Bracket-steady .....	2		
5	AHH 6218	Bolt-bumper bar to bracket .....	2		
6	24G 625	Bolt-bumper bar to spring bar .....	A/R		
	AJD 7162	Washer-plain .....	4		
	PWZ 306	Washer-plain .....	4		
	WL 600061	Washer-spring .....	A/R		
	NH 606041	Nut .....	A/R		
7	AHH 6916	Override-front .....	2		Use prior to BHH 151/2 Optional extra.
8	BHH 151	OVERRIDER ASSEMBLY-FRONT-RH .....	1		
	BHH 152	OVERRIDER ASSEMBLY-FRONT-LH .....	1		
9	BHH 157	Buffer-override .....	2		
8	BHH 377	OVERRIDER ASSEMBLY-FRONT .....	2		Use prior to (C)G-HN5-G-HD5- 219001 TO G-HN5-360300 and G-HD5-361000 (C)G-D2D1-101 TO 2100
9	BHH 157	Buffer-override .....	2		
10	37H 9871 M	Moulding-override-4"(102mm) .....	A/R		Supplied in multiples of metres(39.37").
	HBZ 612	Bolt .....	2		
	HZS 710	Screw .....	2		Use prior to (C)G-HN5-360301, G-HD5-361001 and G-D2D1-2101
	HBZ 726	Bolt .....	2		
11	2K 6842	Washer-plain .....	4		
	LWZ 307	Washer-spring .....	4		
	FNZ 107	Nut .....	2		
12	24G 629	Pad-steady bracket to body (rubber) .....	2		
	SH 606101	Screw .....	2		
	AJD 7162	Washer-plain .....	2		
	LWZ 206	Washer-spring .....	2		

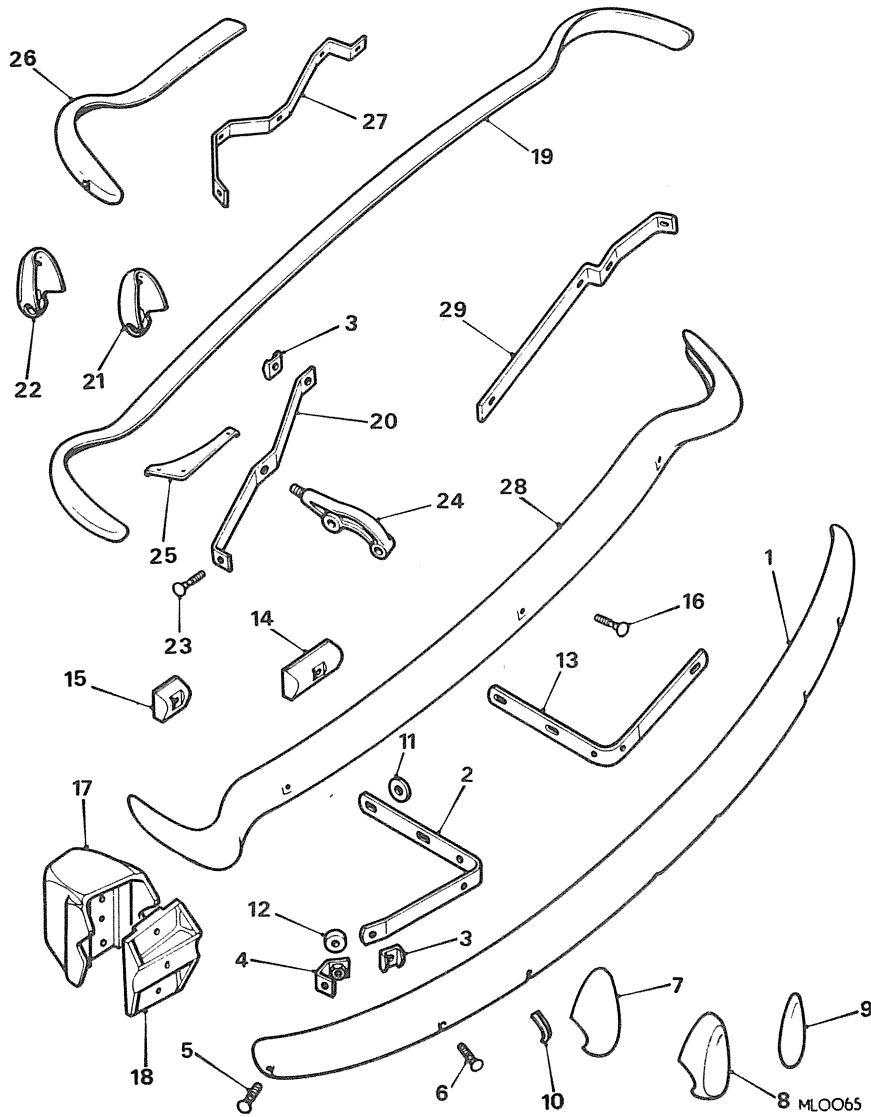


Ill. No.	Part No.	DESCRIPTION	Qty.	Change Point	REMARKS
<b>FRONT BUMPERS-NORTH AMERICA.</b>					
1	AHH 6208	Bar-bumper-front .....	1		Use prior to (C)G-HD5,G-HN5-368082
2	AHH 6209	Bar-spring-RH.....	1	Use prior to BHH 1359 and BHH 1360	(C)G-HN5-339095 TO 368081 (C)G-HD5-339472 TO 367803
	AHH 6210	Bar-spring-LH.....	1		
3	AHH 6216	Washer-distance.....	6		
13	BHH 1359	Bar-spring-RH.....	1		
	BHH 1360	Bar-spring-LH.....	1		
3	AHH 6216	Washer-distance.....	2		
14	BHH 1366	Washer-distance-inner.....	2		
15	BHH 1368	Washer-distance-inner front.....	2		
4	AHH 6215	Bracket-steady.....	2		
5	AHH 6218	Bolt-bumper bar to bracket.....	2		
11	2K 6842	Washer-plain.....	4	Use prior to (C)G-HD5-G-HN5-368082	Use prior to BHH 1362 (C)G-HN5-339095 TO 368081 (C)G-HD5-339472 TO 367803
	LWZ 307	Washer-spring.....	4		
	FNZ 107	Nut.....	2		
12	24G 629	Pad-steady bracket(rubber).....	2		
	SH 606101	Screw.....	2		
	AJD 7162	Washer-plain.....	2		
	LWZ 206	Washer-spring.....	2		
6	24G 625	Bolt-bumper bar to spring bar.....	2		
	PWZ 306	Washer-plain.....	2		
16	BHH 1362	Bolt-bumper bar to spring bar.....	2		
	BH 606281	Bolt-spring bar-inner.....	2		
	WC 110061	Washer-plain.....	2		
	AJD 7162	Washer-plain.....	4	Use prior to (C)G-HD5,G-HN5-368082	Use prior to BHH 151/2 (C)G-HN5-187211 TO 219000 (C)G-HD5-187841 TO 219000 (C)G-HN5-219001 339094 (C)G-HD5-219001 TO 339471
	PWZ 306	Washer-plain.....	4		
	WL 600061	Washer-spring.....	A/R		
	NH 606041	Nut.....	A/R		
7	AHH 6916	Override-front.....	2		
8	BHH 151	OVERRIDER ASSEMBLY-FRONT-RH.....	1		
	BHH 152	OVERRIDER ASSEMBLY-FRONT-LH.....	1		
9	BHH 157	Buffer.....	2		
8	BHH 377	OVERRIDER ASSEMBLY.....	2		
9	BHH 157	Buffer.....	2		
17	BHH 1371	Override-RH \$.....	1	(C)G-HN5-339095 TO 368081 (C)G-HD5-339472 TO 367803	Supplied in MULTIPLES OF metres(39.37").
	BHH 1372	Override-LH \$.....	1		
18	BHH 1369	Bracket-mounting-support casting-RH.....	1		
	BHH 1370	Bracket-mounting-support casting-LH.....	1		
10	37H 9871 M	Moulding-override-4"(10.2cm).....	A/R	Use prior to (C)G-HD5,G-HN5-368082	Use prior to BH 607281 (C)G-HN5-339095 TO 368081 (C)G-HD5-339472 TO 367803
	HBZ 612	Bolt.....	2		
	HZS 710	Screw.....	2		
	HBZ 726	Bolt-spring blade to body.....	2		
	BH 607281	Bolt-spring blade to body.....	2		

\$ This item is subject to safety regulations.

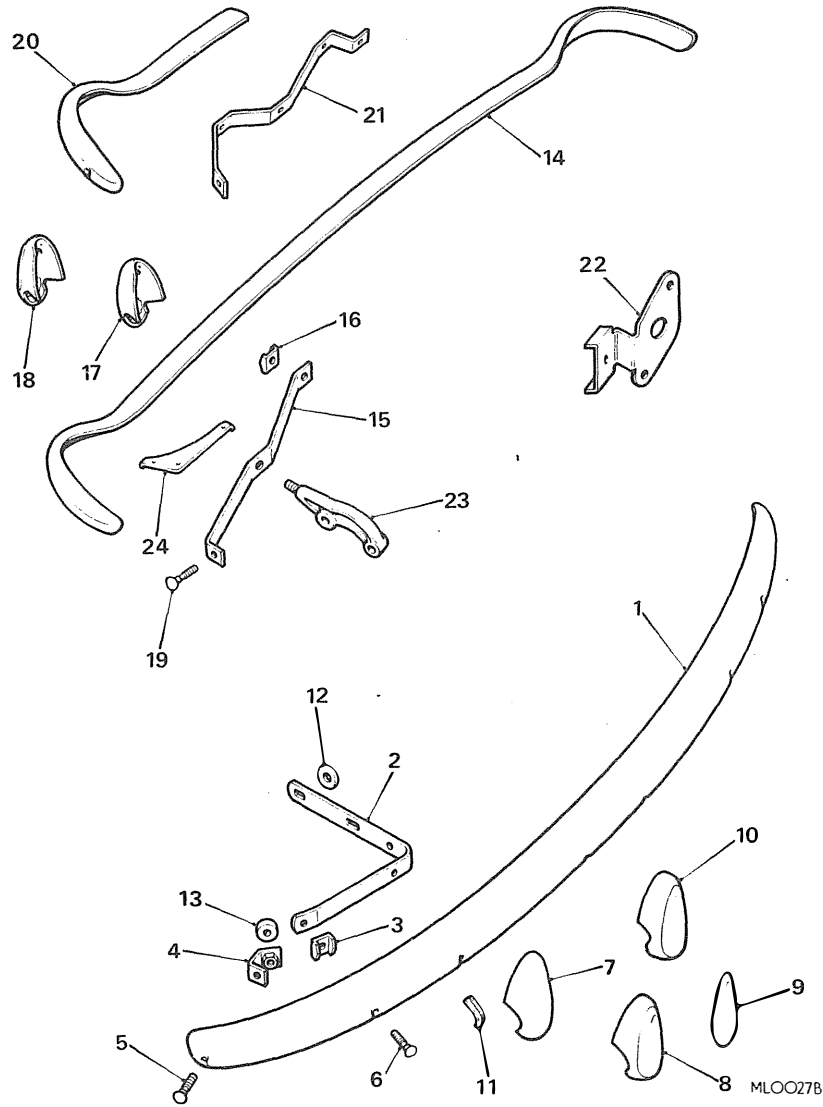


Ill. No.	Part No.	DESCRIPTION	Qty.	Change Point	REMARKS
<b>REAR BUMPERS-NOT NORTH AMERICA</b>					
19	AHH 6261	Bar-bumper-rear .....	1		Use prior to BHH 1525 (C)G-HN5,G-HD5-339965 TO G-HN5-360300 and G-HD5-361000 (C)G-D2D1-1248 TO 2100
	BHH 1525	Bar-bumper-rear .....	1		
20	AHH 6250	Bar-spring .....	2	Use prior to (C)G-HN5-360301, G-HD5-361001 and G-D2D1-2101	
3	AHH 6216	Washer-distance .....	4		
21	AHH 6489	Override-RH .....	NLA	Use prior to BHH 378/9	With number plate illumination drillings
	AHH 6490	Override-LH .....	NLA		
22	BHH 378	Override-RH .....	1	(C)G-HN5-G-HD5-219001 TO 339964 (C)G-D2D1-101 TO 1247	Except Japan and Germany
	BHH 379	Override-LH .....	1		
	BHH 377	OVERRIDER ASSEMBLY .....	2	(C)G-HN5,G-HD5-339965 TO G-HN5-360300 and G-HD5-361000 (C)G-D2D1-1248 TO 2100	
9	BHH 157	Buffer-override .....	2		
10	37H 9871 M	Moulding-override-4"(10.1cm) .....	A/R		Supplied in multiples of metres(39.37")
23	24G 625	Bolt-bumper bar to spring bar .....	2	Use prior to (C)G-HN5-360301, G-HD5-361001 and G-D2D1-2101	
	FNZ 106	Nut .....	2		
	HBZ 616	Bolt .....	2		
	AJD 7162	Washer-plain .....	4		
	PWZ 306	Washer-plain .....	4		
24	AHH 6335	Bracket-bumper mounting .....	2		
	LWZ 307	Washer-spring .....	4		
	FNZ 108	Nut .....	2		
	LWZ 208	Washer-spring .....	2		
	LWZ 408	Washer-spring .....	NLA		
25	AHH 7278	Filler-bumper to body-RH .....	1		
	AHH 7279	Filler-bumper to body-LH .....	1		
	PJZ 604	Screw .....	A/R		
	PFS 206	Nut-spring .....	A/R		



Ill. No.	Part No.	DESCRIPTION	Qty.	Change Point	REMARKS
<b>REAR BUMPER-NORTH AMERICA</b>					
19	AHH 6261	Bar-bumper-rear .....	1		Use prior to BHH 24 and BHH25
20	AHH 6250	Bar-spring .....	2		
26	BHH 24	Bar-bumper-rear-RH .....	1		(C)G-HN5-187211 TO 219000
27	BHH 25	Bar-bumper-rear-LH .....	1		
27	BHH 26	Bar-spring .....	2		(C)G-HD5-187841 TO 219000
19	AHH 6261	Bar-bumper-rear .....	1		(C)G-HN5-219001 TO 339094
20	AHH 6250	Bar-spring .....	2		
28	BHH 1361	Bar-bumper-rear .....	1		(C)G-HN5-339095 TO 368081
29	BHH 1358	Bar-spring \$ .....	2		
3	AHH 6216	Washer-distance .....	A/R		(C)G-HD5-339472 TO 367803
30	BHH 1366	Washer-distance-inner .....	2		Use prior to (C)G-HD5.G-HN5- 368082
21	AHH 6489 AHH 6490	Over-rider-RH .....	NLA		(C)G-HN5-339095 TO 368081 (C)G-HD5-339472 TO 367803
		Over-rider-LH .....	NLA		
22	BHH 151	Over-rider assembly-RH .....	1		Use prior to BHH 151 and BHH 152
	BHH 152	Over-rider assembly-LH .....	1		
9	BHH 157	Buffer .....	2		(C)G-HN5-187211 TO 219000
22	BHH 378	Over-rider assembly-RH .....	1		(C)G-HD5-187841 TO 219000
	BHH 379	Over-rider assembly-LH .....	1		
9	BHH 157	Buffer .....	2		(C)G-HN5-219001 TO 339094
17	BHH 1372	Over-rider-RH \$ .....	1		(C)G-HD5-219001 TO 339471
	BHH 1371	Over-rider-LH \$ .....	1		
18	BHH 1370	Bracket-mounting-support casting-RH .....	1		(C)G-HN5-339095 TO 368081
	BHH 1369	Bracket-mounting-support casting-LH .....	1		

MGB



108-L8-03

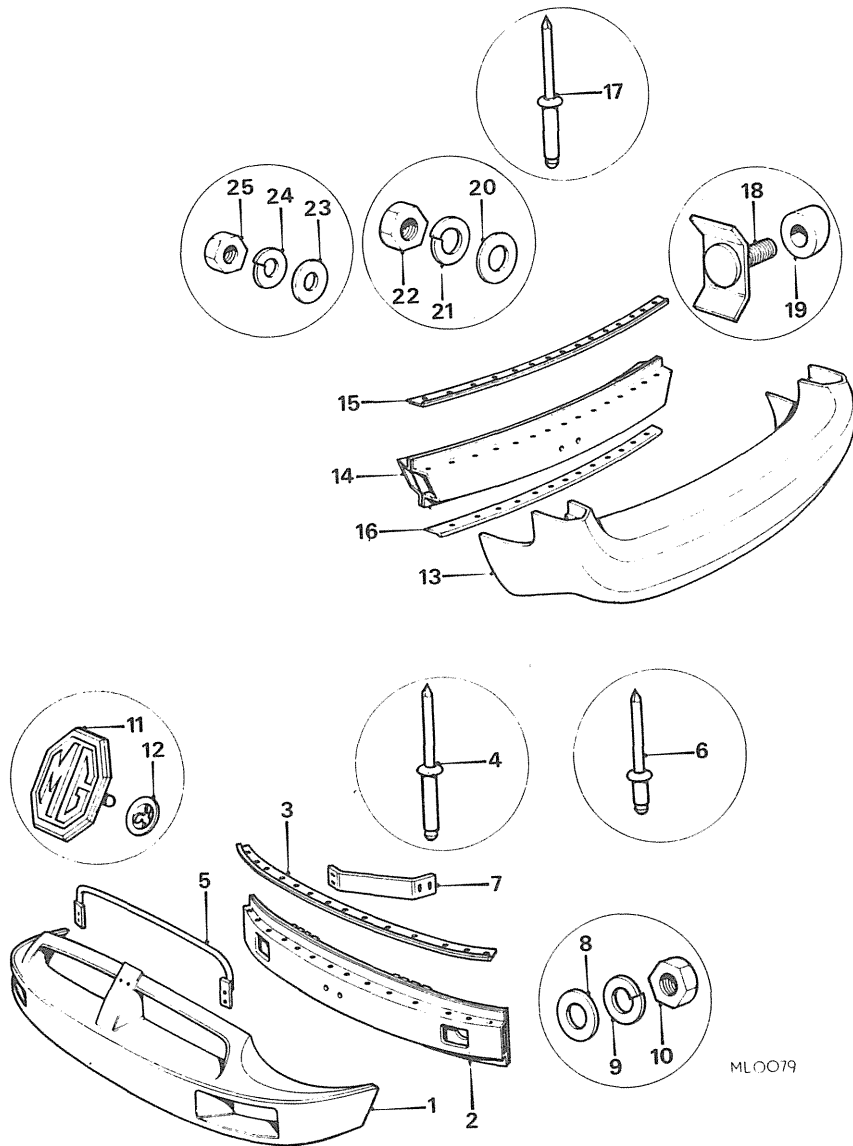
MGB TOURER AND GT

Ill. No.	Part No.	DESCRIPTION	Qty.	Change Point	REMARKS
<b>REAR BUMPER-NORTH AMERICA-continued</b>					
10	37H 9871 M	Moulding-over-rider-4"(10.1cm) long.....	A/R		Use prior to (C)G-HD5,G-HN5-368082
23	24G 625	Bolt-bumper bar to spring bar.....	A/R		
16	BHH 1362	Bolt-bumper bar to spring bar.....	3		(C)G-HN5-339095 TO 368081
	BH 606281	Bolt-bumper bar to spring bar.....	2		
	NH 606041	Nut.....	6		Use prior to (C)G-HD5,G-HN5-368082
	HBZ 616	Bolt.....	2		
	HZS 608	Bolt-bumper to body.....	2		(C)G-HN5-187211 TO 219000
	PWZ 106	Washer-plain.....	2		
	WL 600061	Washer-spring.....	2		(C)G-HD5-187841 TO 219000
	NH 606041	Nut.....	2		
	PWZ 306	Washer-plain.....	6/3		(C)G-HN5,G-HD5-219001 TO 368081
	WC 110061	Washer-plain.....	3		
	WL 600061	Washer-spring.....	A/R		Use prior to (C)G-HN5,G-HN5-368082
24	AHH 6335	Bracket-bumper mounting.....	2		
	HBZ 732	Bolt.....	4		(C)G-HD5-339472 TO 367803
	LWZ 307	Washer-spring.....	4		
	FNZ 108	Nut.....	2		Use prior to (C)G-HD5,G-HN5-368082
	PWZ 208	Washer-plain.....	A/R		
	PWZ 108	Washer-plain.....	2		Quantity reduced AT (C)G-HN3-28264
	LWZ 408	Washer-spring.....	NLA		
25	AHH 7278	Filler-bumper to body-RH.....	1		Quantity reduced AT (C)G-HN3-28264
	AHH 7279	Filler-bumper to body-LH.....	1		
	PJZ 604	Screw.....	8/6		
	PFS 206	Nut-spring.....	8/6		

108-L 8.04

108-L 8.04

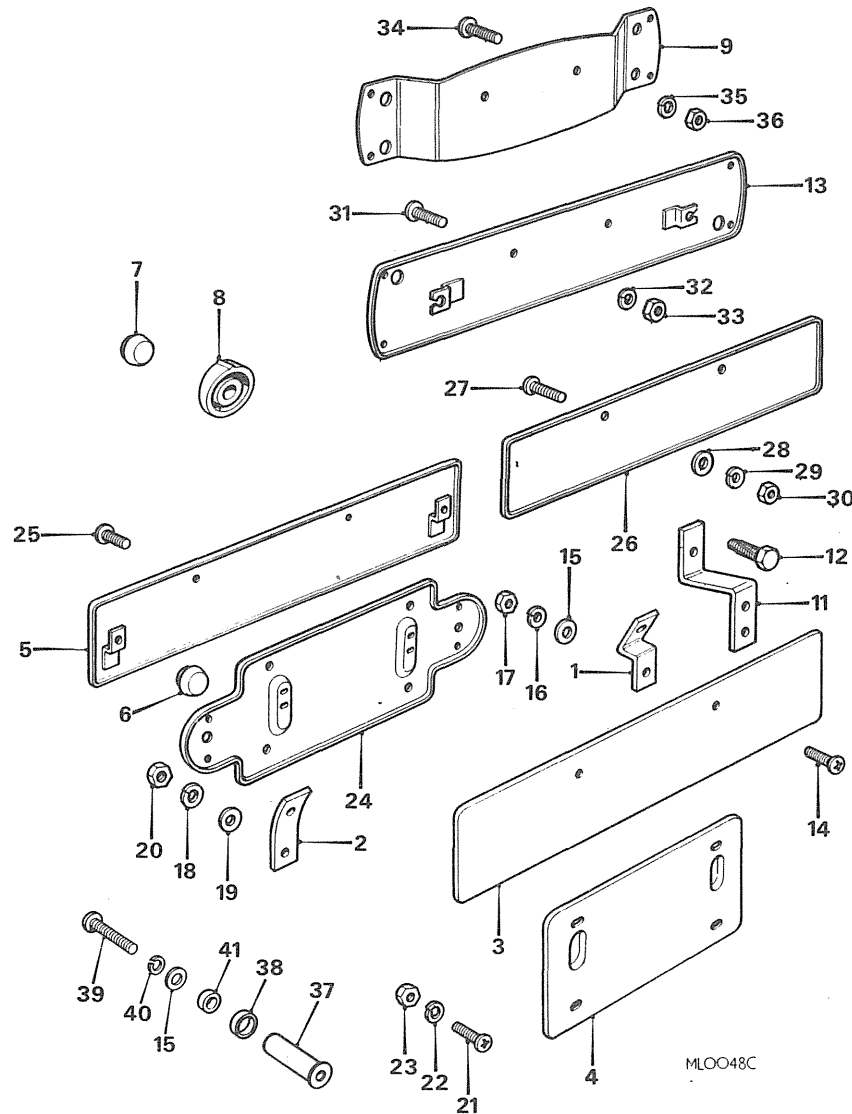




MLO079

III. No.	Part No.	DESCRIPTION	Qty.	Change Point	REMARKS
<b>BUMPERS-FRONT AND REAR-(C)G-HN5-360301 ON-EXCEPT USA,368082 ON-USA,(C)G-HD5-361001 ON EXCEPT USA AND (C)G-D2D1-2101 ON.</b>					
1	BHM 536	BAR ASSEMBLY-BUMPER-FRONT \$	1		
4	CHA 307	Rivet-front bumper	28		
	AAU 2570	Plug-blanking	2	(C)G-HN5-384319 TO 410000. (C)G-HD5-379760 TO 410350. (C)G-D2D1-2618 TO 2903.	
2	BHH 1554	Armature-front bumper \$	1		Use prior to BHH 1819
2	BHH 1819	Armature-front bumper \$	1		(C)G-HN5-371464 TO 410000. (C)G-HD5-378517 TO 410350. (C)G-D2D1-2530 TO 2903.
3	BHH 1561	Plate-clamping	2		
5	BHH 1577	Support-bumper	1		
6	CHA 366	Rivet-support to armature	4		
7	BHH 1559	Spring-outer-RH \$	1		
	BHH 1560	Spring-outer-LH \$	1		
8	WA 110061	Washer-plain	4		
9	WL 600061	Washer-spring	8		
10	NH 606041	Nut	4		
11	CHA 344	Motif-front bumper-Silver letters	1		] Finished at introduction of BHH 1819
	CHA 544	Motif-front bumper-Silver letters	1		
11	CHA 507	Motif-front bumper-Gold letters	1		Use prior to CHA 544
12	PFR 106	Push-on-fix-motif	2		(C)G-HN5-394008 TO 410000. (C)G-HD5-394678 TO 410350. (C)G-D2D1-2723 TO 2903.
13	BHM 537	BAR ASSEMBLY-BUMPER-REAR \$	1		
17	CHA 307	Rivet-rear bumper	28		
14	BHH 1546	Armature-rear bumper \$	1		Use prior to BHH 1821
14	BHH 1821	Armature-rear bumper \$	1		(C)G-HN5-371464 TO 410000. (C)G-HD5-378517 TO 410350. (C)G-D2D1-2530 TO 2903.
15	BHH 1550	Plate-clamping-upper	1		
16	BHH 1551	Plate-clamping-lower	1		
18	BHH 1575	Bracket-side fixing	6		
19	BHH 1576	Piece-distance	6		
20	WA 110061	Washer-plain	9		
21	WL 600061	Washer-spring	9		
22	NH 606041	Nut	5		
23	WA 108051	Washer-plain	2		
24	WL 600051	Washer-spring	2		
25	NH 605041	Nut	2		

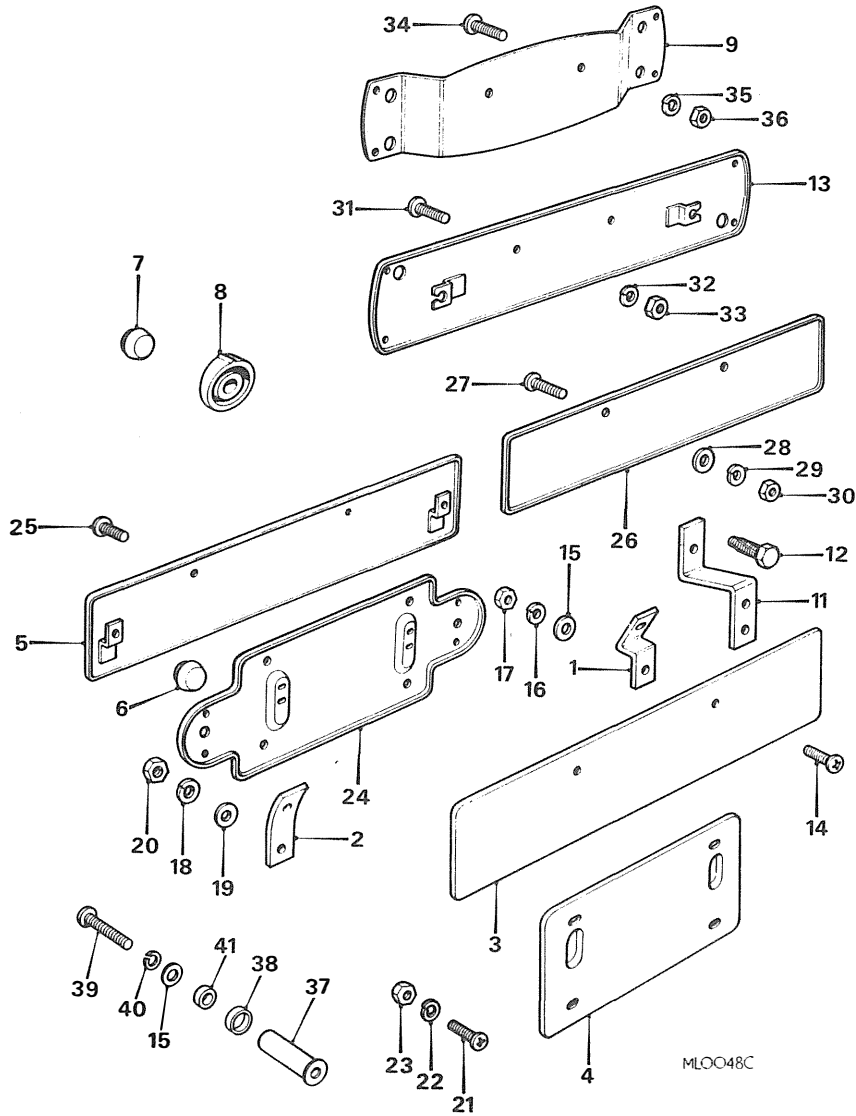
\$ This item is subject to safety regulations.



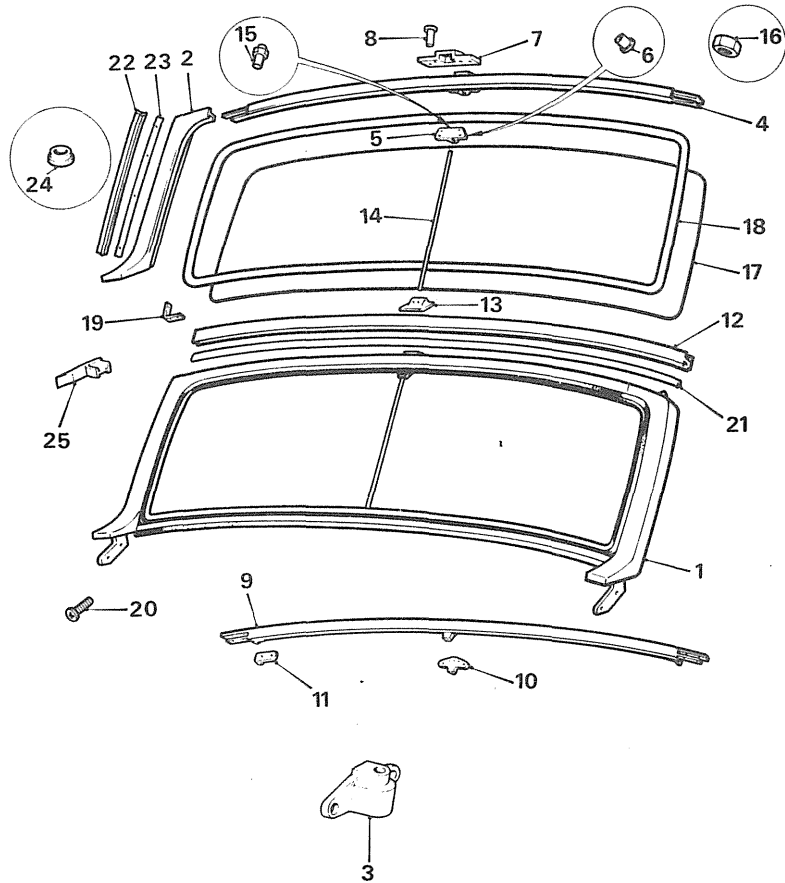
Ill. No.	Part No.	DESCRIPTION	Qty.	Change Point	REMARKS
<b>NUMBER-PLATES</b>					
1	AHH 6217	Bracket-front number plate.....	2		Use prior to BHH 1642 (C)G-HN5-360301 TO 410000 (C)G-HD5-361001 TO 410350 (C)G-D2D1-2101 TO 2903
11	BHH 1642	Bracket-front number plate.....	2		
12	CZK 3721	Screw-bracket to armature.....	2		
16	WL 600041	Washer-spring.....	2		
14	SE 604081	Screw.....	2		
15	WA 106041	Washer-plain.....	2		
16	WL 600041	Washer-spring.....	2		
17	NH 604041	Nut.....	2		
3	ALK 3268	Plate-number-front.....	1		
3	BHH 1524	Plate-number-front.....	1		
21	SE 604081	Screw.....	2		
22	WL 600041	Washer-spring.....	2		
23	NH 604041	Nut.....	2		
2	AHH 8177	Bracket-support plate-front.....	2		Use prior to BHH 1642 (C)G-HN5-368082 To 3843 18
11	BHH 1642	Bracket-support plate-front.....	2		
12	CZK 3721	Screw-bracket to armature.....	2		
16	WL 600041	Washer-spring.....	2		
4	AHA 5211	Support-number plate-front.....	1		
14	SE 604051	Screw.....	2		
18	WL 600041	Washer-spring.....	2		
19	WA 106041	Washer-plain.....	2		
20	NH 604041	Nut.....	2		
4	AHA 5211	Support-number plate-front.....	1		
37	AAU 2499	Nut-rawl.....	2		(C)G-HN5-384319 TO 410000
38	CHA 594	Piece-distance.....	2		
39	SE 106501	Screw.....	2		
40	WL 106001	Washer-spring.....	2		
15	WA 106041	Washer-plain.....	2		

Except N.America

N.America



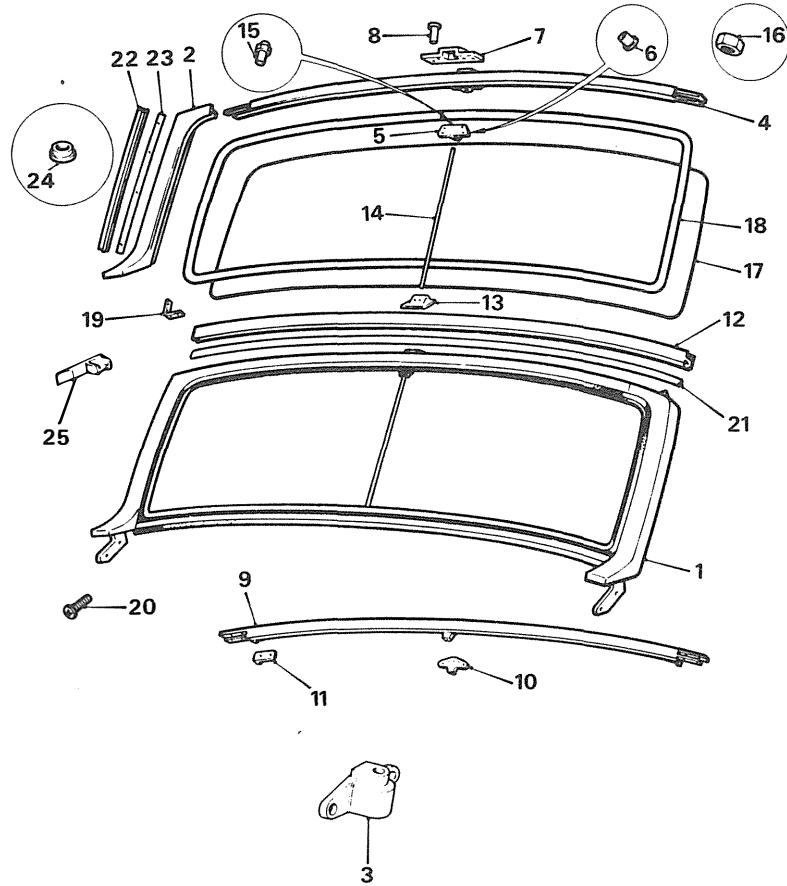
Ill. No.	Part No.	DESCRIPTION	Qty.	Change Point	REMARKS
<b>NUMBER-PLATES-continued.</b>					
4	AHA 5211	Support-number-plate-rear.....	1	Use prior to CZK 3693 (C)G-HN5-339095 TO 410000	N.America
24	CZK 3693	Mounting-rear number-plate.....	1		
14	SE 604081	Screw.....	2	(C)G-HD5-339472 TO 367803	Except N.America and Japan
5	AHA 5791	Number-plate-rear.....	1		
6	AHA 5804	Buffer-rear number-plate(rubber).....	2	Use prior to BHH 1524	Except N.America
25	SE 604061	Screw.....	2		
26	BHH 1524	Number-plate-rear.....	1	(C)G-HN5,G-HD5-339965 to G-HN5-360300 AND G-HD5-361000 (C)G-D2D1-1248 to 2100	Except N.America
13	BHH 1673	Number-plate-rear.....	1		
6	AHA 5804	Buffer-rear number-plate(rubber).....	2	(C)G-HN5-360301 TO 410000 (C)G-HD5-361001 TO 410350 (C)G-D2D1-2101 TO 2903	Except N.America
27	SE 604081	Screw.....	2		
28	WA 106041	Washer-plain.....	2		West germany and Norway
29	WL 600041	Washer-spring.....	2		
30	NH 604041	Nut.....	2		Japan
7	AHA 5804	Buffer-bracket.....	1		
31	PMZ 416	Screw.....	NLA	(C)G-HN5-187211 TO 219000 (C)G-HD5-187841 TO 219000	Japan
32	WL 600041	Washer-spring.....	2		
33	NH 604041	Nut.....	2		Japan
8	AHH 8309	Washer-spacer-rear number plate to body.....	NLA		
9	AHH 7406	Bracket-mounting-number plate lamp.....	1		Japan
34	PMZ 416	Screw.....	NLA		
35	WL 600041	Washer-spring.....	2		Japan
36	NH 604041	Nut.....	2		



MM0040A

Ill. No.	Part No.	DESCRIPTION	Qty.	Change Point	REMARKS
<b>WINDSCREEN-TOURER</b>					
1	AHH 9314	WINDSCREEN ASSEMBLY.....	NLA	Use prior to BHH 1387	] Use BHH 1387 Except N.America And Sweden
1	BHH 1387	WINDSCREEN ASSEMBLY.....	1	(C)G-HN5-306516 TO 360300	
1	HZA 4997	WINDSCREEN ASSEMBLY \$.....	1	(C)G-HN5-360301 TO 410000	
1	AHH 9825	WINDSCREEN ASSEMBLY \$.....	1	Use prior to BHH 1388	] N.America and Sweden
1	BHH 1388	WINDSCREEN ASSEMBLY \$.....	1	(C)G-HN5-306516 TO 410000	
2	AHH 7133 AHH 7134	Pillar-RH..... Pillar-LH.....	1 1	Use prior to AHH 9231 and AHH 9232	] Except N.America. Except N.America and Sweden
2	AHH 9231 AHH 9232	Pillar-RH..... Pillar-LH.....	1 1	(C)G-HN4-172700 TO 187210	
2	BHH 1391 BHH 1392	Pillar-RH..... Pillar-LH.....	1 1	(C)G-HN5-306516 TO 360300	
2	HZA 4998 HZA 4999	Pillar-RH..... Pillar-LH.....	1 1	(C)G-HN5-360301 TO 410000	
2	AHH 8755 AHH 8756	PILLAR ASSEMBLY-RH \$..... PILLAR ASSEMBLY-LH \$.....	NLA NLA	Use prior to AHH 9222 and AHH 9223	] N.America N.America and Sweden.
2	AHH 9222 AHH 9223	PILLAR ASSEMBLY-RH \$..... PILLAR ASSEMBLY-LH \$.....	1 1	(C)G-HN4-172700 TO 187210	
2	BHH 1389 BHH 1390	PILLAR ASSEMBLY-RH \$..... PILLAR ASSEMBLY-LH \$.....	1 1	(C)G-HN5-187211 TO 306515	
3	AHH 8758	Bracket-sun visor pivot \$.....	2	(C)G-HN5-306516 TO 410000	] N.America N.America and Sweden.
4	AHH 6516	RAIL ASSEMBLY-TOP.....	NLA		
4	AHH 9233	RAIL ASSEMBLY-TOP.....	1	Use prior to AHH 9233	] Except N.America.
4	AHH 9311	RAIL ASSEMBLY-TOP.....	1	(C)G-HN4-172700 TO 187210	
5	BHA 4963	Bracket-centre rod.....	1	(C)G-HN5-187211 TO 410000	] Except N.America and Sweden.
6	AHH 7138	Rivet.....	4	(C)G-HN5-187211 TO 410000	
7	AHH 6167	Bracket-hood fastener.....	2		
8	AHH 7138	Rivet-bracket to top rail.....	8		

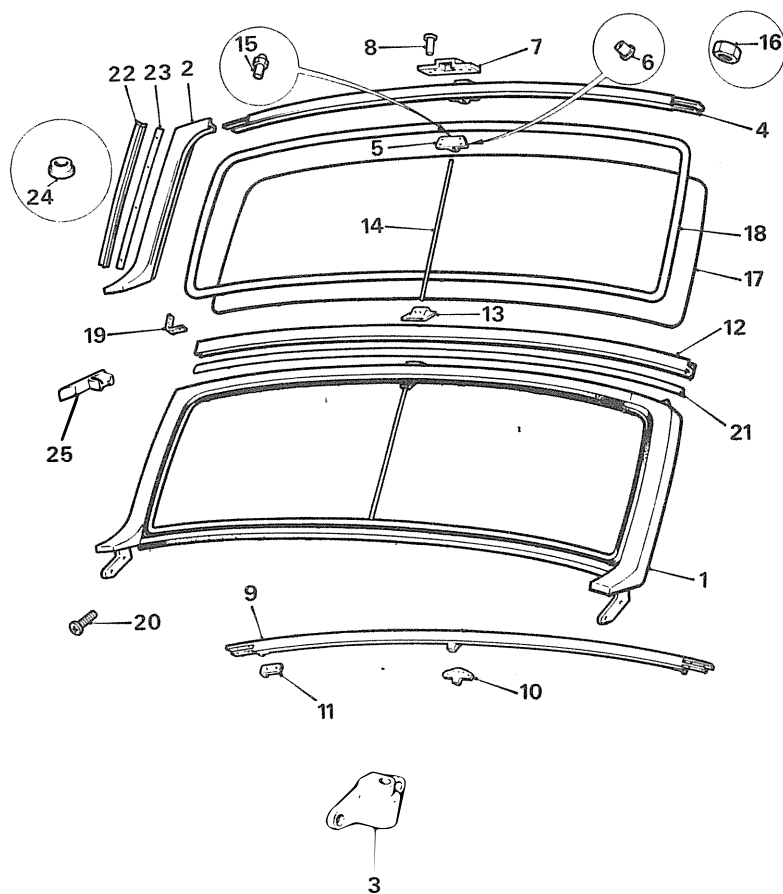
\$ This item is subject to safety regulations



MMO040A

Ill. No.	Part No.	DESCRIPTION	Qty.	Change Point	REMARKS
<b>WINDSCREEN-TOURER-continued.</b>					
9	AHH 8454	RAIL ASSEMBLY-TOP \$	1	Use prior to AHH 9221	] N.America
9	AHH 9221	RAIL ASSEMBLY-TOP \$	1	(C)G-HN4-172700 TO 187210	
9	AHH 9837	RAIL ASSEMBLY-TOP	1	(C)G-HN5-187211 TO 410000	
10	AHH 8846	Bracket-interior mirror \$	1	Use prior to BHA 4963	] N.America and Sweden.
10	BHA 4963	Bracket-interior mirror	1	(C)G-HN5-187211 TO 410000	
7	AHA 8483	Bracket-hood fastener \$	2		
11	AHA 8557	Bracket-anchor-sun visor \$	2	Use prior to AHH 9838	] N.America and Sweden.
11	AHH 9838	Bracket-anchor-sun visor \$	2	(C)G-HN4-184497 TO 187210	
				(C)G-HN5-187211 TO 410000	
8	AHH 7138	Rivet	12		
	PWZ 102	Washer-plain	4		
12	AHH 7122	RAIL ASSEMBLY-BOTTOM	1	(C)G-HN3-5794 TO 138400	] Except N.America.
12	AHH 9234	RAIL ASSEMBLY-BOTTOM	NLA	(C)G-HN4-138401 TO 172699	
12	BHH 214	RAIL ASSEMBLY-BOTTOM	1	(C)G-HN4-172700 TO 187210	
13	AHH 6389	Bracket-centre rod	NLA	(C)G-HN5-187211 TO 410000	] Except N.America and Sweden.
13	AHH 8459	Bracket-centre rod	1	Use prior to AHH 8549	
6	AHH 7138	Rivet	2		
12	AHH 8458	RAIL ASSEMBLY-BOTTOM \$	1	Use prior to AHH 9225	] N.America.
12	AHH 9225	RAIL ASSEMBLY-BOTTOM \$	1	(C)G-HN4-172700 TO 187210	
13	AHH 8459	Bracket-centre rod \$	1		] N.America and Sweden.
6	AHH 7138	Rivet	2	(C)G-HN5-187211 TO 410000	

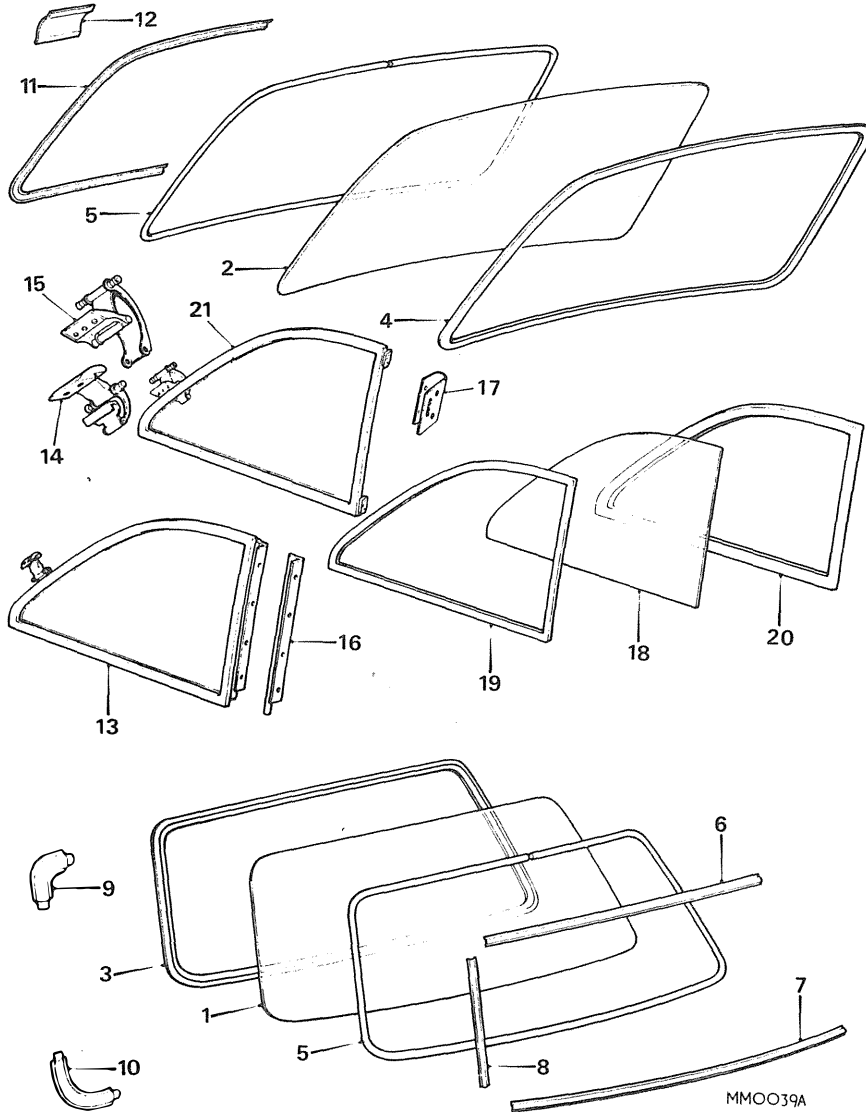
\$ This item is subject to safety regulations.



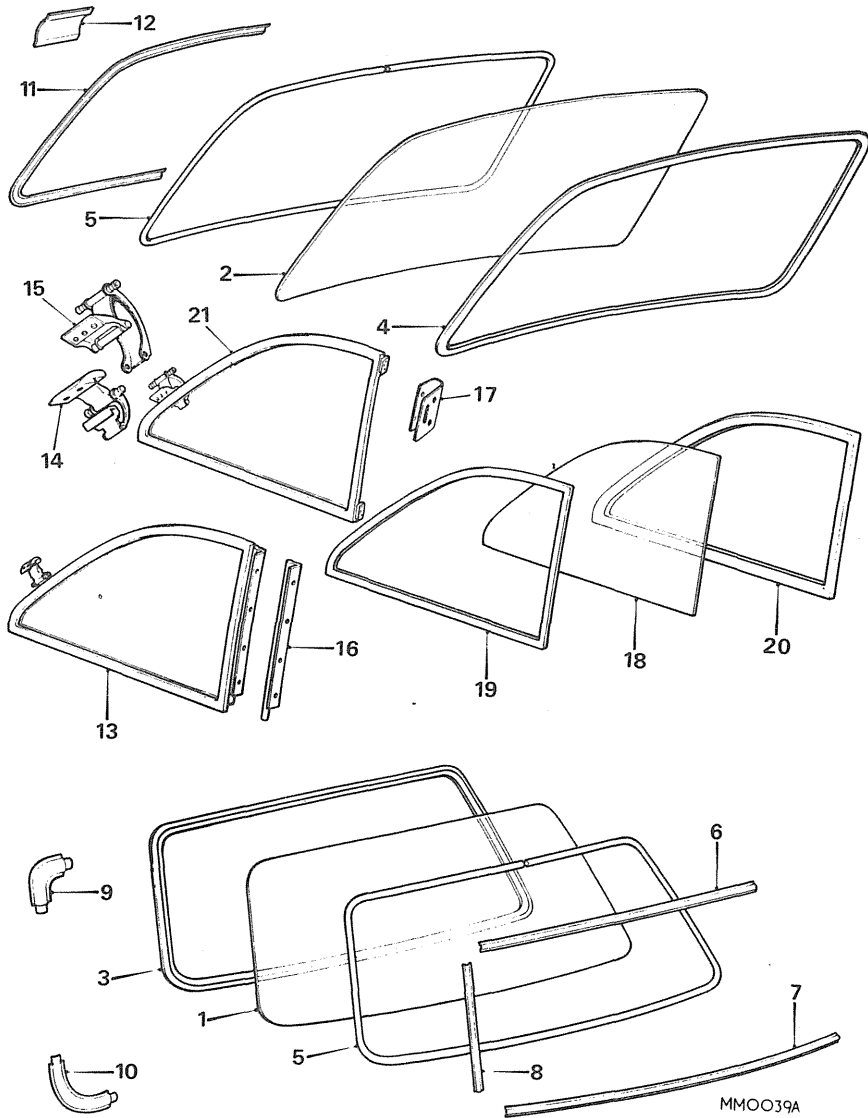
MM0040A

Ill. No.	Part No.	DESCRIPTION	Qty.	Change Point	REMARKS
<b>WINDSCREEN-TOURER-continued</b>					
14	AHH 6411	Rod-centre.....	1		(C)G-HN3-101 TO 138400 (C)G-HN4-138401 TO 187210(Except N.America) (C)G-HN4-138401 TO 153877(Canada) (C)G-HN5-187211 TO 410000 (Except N.America and Sweden) (C)G-HN4-138401 TO 187210(USA) (C)G-HN4-153878 TO 187210(Canada) (C)G-HN5-187211 TO 410000 (N.America and Sweden)
16	FNP 103	Nut-rod to bottom bracket.....	1		
14	AHH 8750	Rod-centre \$.....	1		
15	AHH 8749	Nut-rod to bottom bracket.....	1		
15	AHH 8749	Nut-rod to top bracket \$.....	1		
	LWZ 203	Washer-spring .....	1		
	AHH 8227	Glass-laminated-high impact \$.....	1		
	AHH 7172	Rubber-glazing .....	1		
	AHH 6394	Reinforcement-bottom corner-RH .....	1		
	AHH 6395	Reinforcement-bottom corner-LH.....	1		
20	AHH 6945	Screw-reinforcement to bottom rail.....	4		
21	AHH 7136	Seal-windscreen to body.....	1		
22	27H 4300 M	Seal-windscreen to pillar.....	A/R	(C)G-HN5-187211 ON	Supplied in multiples of metres
23	AHH 6409	Retainer-pillar seal.....	2		
24	ADB 4811	Fastener-dot .....	2		
	ZCS 610	Screw .....	4		
	LWZ 206	Washer-spring .....	4		
	PMZ 316	Screw .....	2		
	PWZ 203	Washer-plain.....	2		
	LWZ 203	Washer-spring .....	2		
	HPP 408	Screw .....	2		
	LWZ 204	Washer-spring .....	2		
25	AHH 7068	Grommet-sealing-pillar foot-RH\$.....	1		
	AHH 7069	Grommet-sealing-pillar foot-LH\$.....	1		

\$ This item is subject to safety regulations



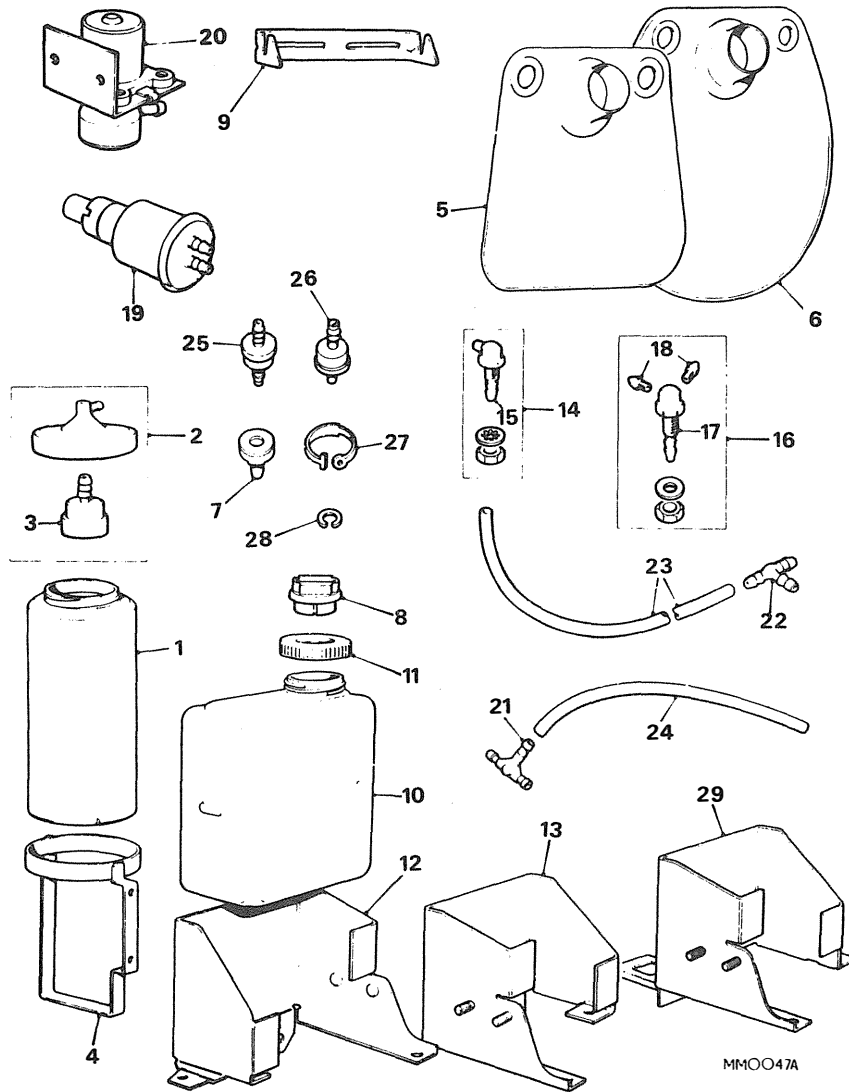
Ill. No.	Part No.	DESCRIPTION	Qty.	Change Point	REMARKS
<b>WINDSCREEN,BACK-LIGHT,QUARTER-LIGHT-GT.</b>					
1	AHH 8228	Glass-windscreen(laminated)\$	1		Except V8
1	BHH 308	Glass-windscreen(Tinted-laminated) \$	1		
2	AHH 7394	Glass-back-light \$	1		Use prior to BHH 529 (C)G-HD5-296001 TO 410350
2	BHH 529	Glass-back-light-heated \$	1		
2	BHH 313	Glass-back-light(Tinted) \$	1		Except V8 N.America
2	BHH 530	Glass-back-light(heated)(Tinted) \$	1		
3	AHH 7404	Rubber-glazing-windscreen	1		
4	AHH 7403	Rubber-glazing-back-light	1		
5	AHH 7815	Filler-glazing-rubber	2		
<b>FINISHER-WINDSCREEN</b>					
6	AHH 7426	Top	1		
7	AHH 7425	Bottom	1		
8	AHH 7439	Side-RH	1		
	AHH 7440	Side-LH	1		
9	AHH 7423	Corner-top	2		
10	AHH 7424	Corner-bottom	2		
11	AHH 7427	Finisher-back-light-RH	1		
	AHH 7428	Finisher-back-light-LH	1		
12	AHH 7441	Clip-finisher-back-light	2		
12	AHH 9425	Clip-finisher-heated back-light	2		
<b>QUARTER-LIGHT ASSEMBLY</b>					
13	18G 8478	RH-\$	1	Use prior to BHH 570/571 (C)G-HD5-286062 TO 410350	Except V8
	18G 8479	LH-\$	1		
13	BHH 570	RH-\$	1	(C)G-HD5-219001 TO 286061	Use BHM 572. N.America.
	BHH 571	LH-\$	1		
13	BHH 315	Tinted-RH \$	NLA		
	BHH 316	Tinted-LH \$	1		
21	BHH 572	Tinted-RH \$	1		
	BHH 573	Tinted-LH \$	1		
<b>CATCH-TOGGLE</b>					
14	AHH 9864	RH	1	Use prior to BHH 598/599 (C)G-HD5-286062 TO 410350	
	AHH 9865	LH	1		
15	BHH 598	RH-\$	1	(C)G-D2D1-101 TO 2903	
	BHH 599	LH-\$	1		



III. No.	Part No.	DESCRIPTION	Qty.	Change Point	REMARKS
<b>WINDSCREEN,BACK-LIGHT,QUARTER LIGHT-GT-continued.</b>					
16	AHH 7510	Hinge-frame-RH.....	1	] Use prior to BHH 698 (C)G-HD5-286062 TO 410350 (C)G-D2D1-101 TO 2903	
	AHH 7511	Hinge-frame-LH.....	1		
17	BHH 698	Hinge-quarter-light.....	4		
	CMZ 204	Screw.....	12	] (C)G-HD5-219001 TO 367803	] N.America
	CMZ 203	Screw-bottom fixing.....	8		
	CMZ 204	Screw-toggle fixing.....	4		
<b>GLASS</b>					
18	AHH 7491	RH-\$.....	1	] Use prior to BHH 576/577 (C)G-HD5-286062 TO 410350 (C)G-HD5-219001 TO 286061	] Except V8 ] N.America
	AHH 7492	LH-\$.....	1		
18	BHH 576	RH-\$.....	1		
	BHH 577	LH-\$.....	1		
18	BHH 309	RH(Tinted) \$.....	1	] (C)G-HD5-219001 TO 286061	] N.America
	BHH 310	LH(Tinted) \$.....	NLA		
18	BHH 574	RH(Tinted) \$.....	1		
	BHH 575	LH(Tinted) \$.....	1		
19	47H 9516	Rubber-glazing.....	A/R	Use prior to BHH 582	Supplied in multiples of metres(39.37").
19	BHH 582	Rubber-glazing.....	2	(C)G-HD5-286062 TO 410350 (C)G-D2D1-101 TO 2903	
<b>SEAL-QUARTER-LIGHT</b>					
20	AHH 8607	Black.....	2	] Use prior to KGN 818/819 (C)G-HD5-295683 TO 410350 (C)G-D2D1-101 TO 2903	
20	KGK 8607	Autumn Leaf.....	2		
20	KGN 8607	Navy.....	2		
20	KGN 818	Navy-RH.....	1	] (C)G-HD5-295683 TO 410350 (C)G-D2D1-101 TO 2903	
20	KGN 819	Navy-LH.....	NLA		
20	KGT 818	Ochre-RH.....	1		
20	KGT 819	Ochre-LH.....	1		
	KGA 818	Black-RH.....	1		
	KGA 819	Black-LH.....	1		
	KGK 818	Autumn Leaf-RH.....	1		
	KGK 819	Autumn Leaf-LH.....	1		
	RTP 605	Screw.....	4		

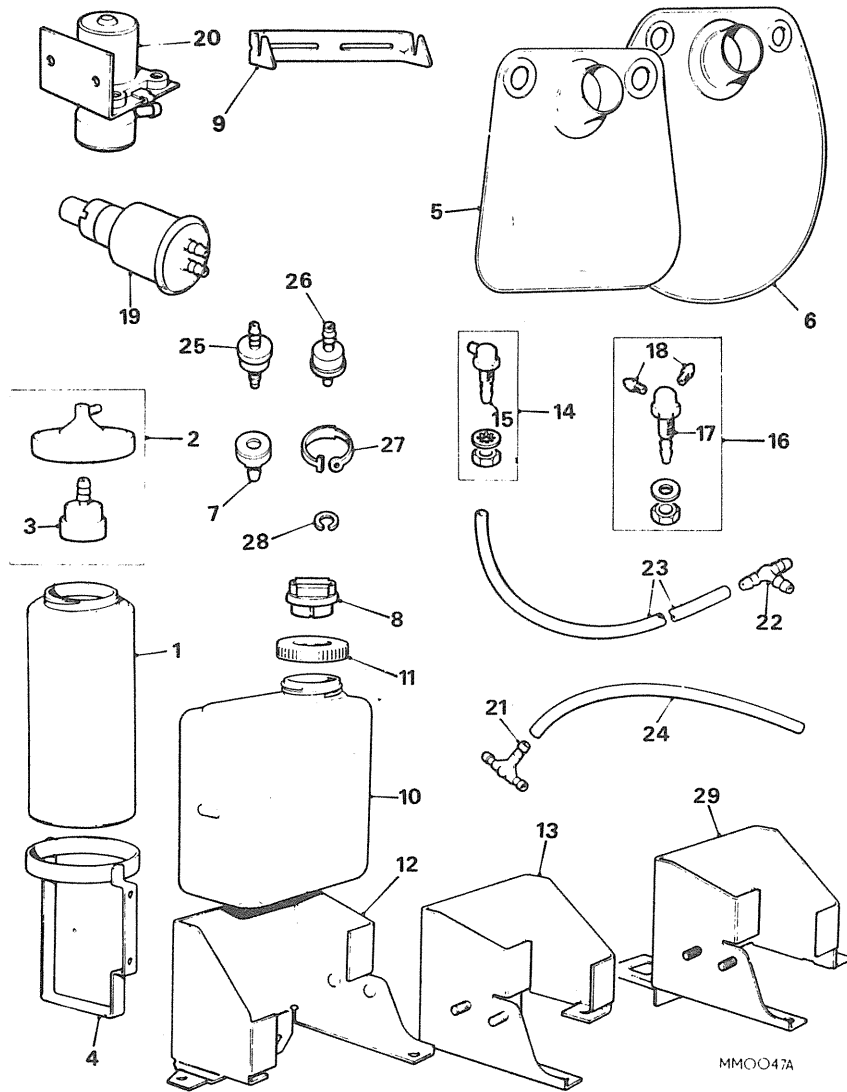
\$ This item is subject to safety regulations.





Ill. No.	Part No.	DESCRIPTION	Qty.	Change Point	REMARKS		
<b>WINDSCREEN WASHER</b>							
1	13H 227	Container .....	1	Use prior to BHA 5232	Except N.America Sweden and V8		
2	AHH 6848	CAP ASSEMBLY .....	1				
3	13H 6473	Valve-foot .....	1				
4	13H 232	Bracket .....	1				
	PMZ 306	Screw .....	2				
	PWZ 103	Washer-plain .....	2				
6	BHA 5232	Container \$ .....	1				
8	34G 1289	Plug-closure .....	1				
9	BHA 4919	Bracket .....	NLA				
	PMZ 308	Screw .....	2				
	PWZ 203	Washer-plain .....	2	(C)G-HN5,G-HD5- 321699 TO 410000			
	WL 700 101	Washer-spring .....	2				
	FNZ 103	Nut .....	2				
3	13H 6473	Valve-foot .....	1				
						(C)G-HN5-321699 TO 360300	
7	13H 7846	Filter \$ .....	1				
5	BHA 4920	Container \$ .....	1				
6	BHA 5232	Container \$ .....	1			(C)G-HN5-360301 ON (C)G-HD5-361001 ON TO 361000	N.America and Sweden
7	13H 7846	Filter \$ .....	1				
8	34G 1289	Plug-filler \$ .....	1				
3	13H 6473	Valve-foot .....	1				
9	BHA 4919	Bracket \$ .....	NLA				
	PMZ 308	Screw-bracket to wheelarch .....	2				
	PWZ 203	Washer-plain .....	4				
	WL 700 101	Washer-spring .....	2				
	FNZ 103	Nut .....	2				
10	BHA 5239	Container \$ .....	1	Use prior to (C)G-HN5-360301 AND G-HD5-361001	N.America, Sweden,Norway AND Germany		
11	34G 1290	Cap-container .....	1				
29	BHH 1638	Bracket-container,pump and valve .....	1				
	SH 604051	Screw-bracket to bulkhead .....	1				
	WL 600041	Washer-spring .....	1				
	WA 106041	Washer-plain .....	1				
	PMZ 310	Screw-bracket to bulkhead .....	2				
	WL 700 101	Washer-spring .....	2				
	WA 702 101	Washer-plain .....	2				
	RFR 503	Grommet-tube .....	1			(C)G-HN5-360301 TO 410000 (C)G-HD5-361001 TO 410350	LHD
29	BHH 1850	Bracket-container,pump and valve .....	1				
				(C)G-HN5,G-HD5- 386601 TO 410000	North America		
10	BHA 5239	Container \$ .....	1				
11	34G 1290	Cap-container .....	1				
8	34G 1289	Plug-filler \$ .....	1				
7	13H 7846	Filter \$ .....	1				
12	BHH 1154	Bracket .....	1				
	PMZ 308	Screw-bracket to bulkhead .....	2				
	WL 700 101	Washer-spring .....	2				
	PWZ 103	Washer-plain .....	2				
							V8

\$ This item is subject to safety regulations

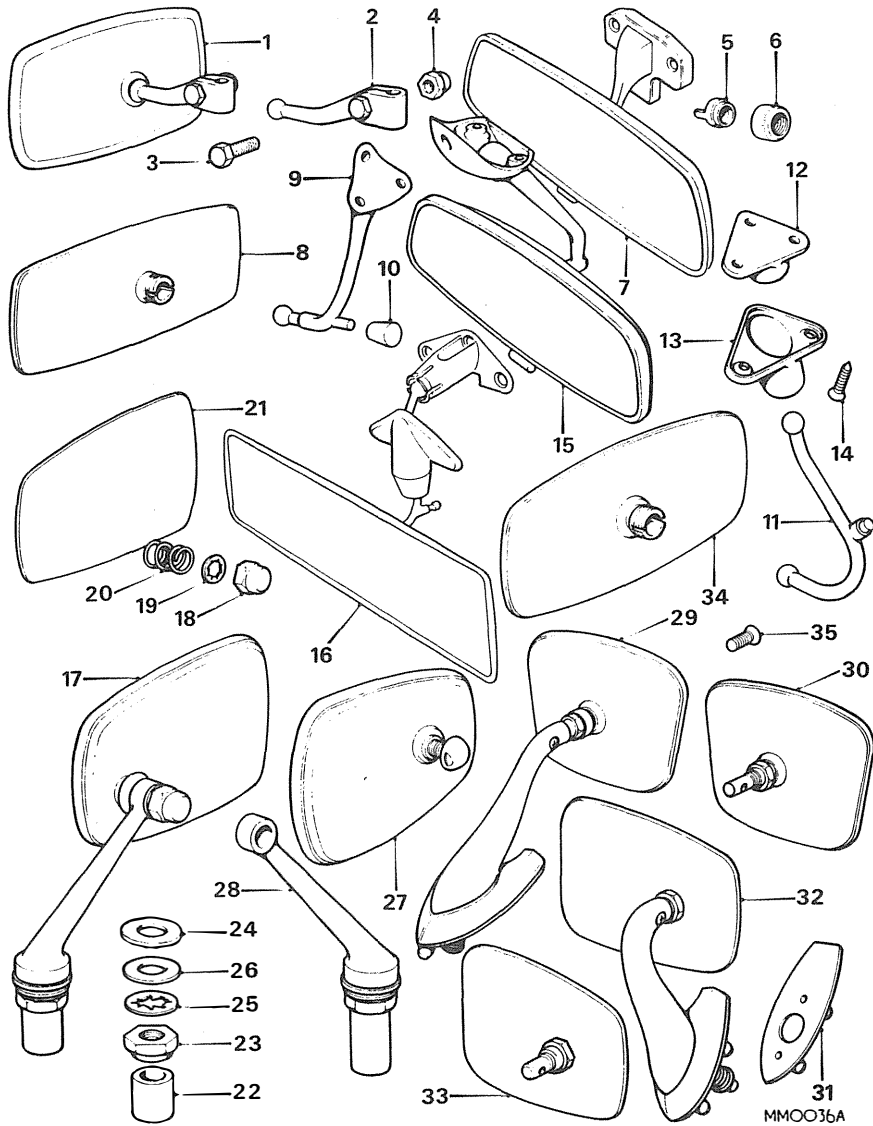


III. No.	Part No.	DESCRIPTION	Qty.	Change Point	REMARKS
----------	----------	-------------	------	--------------	---------

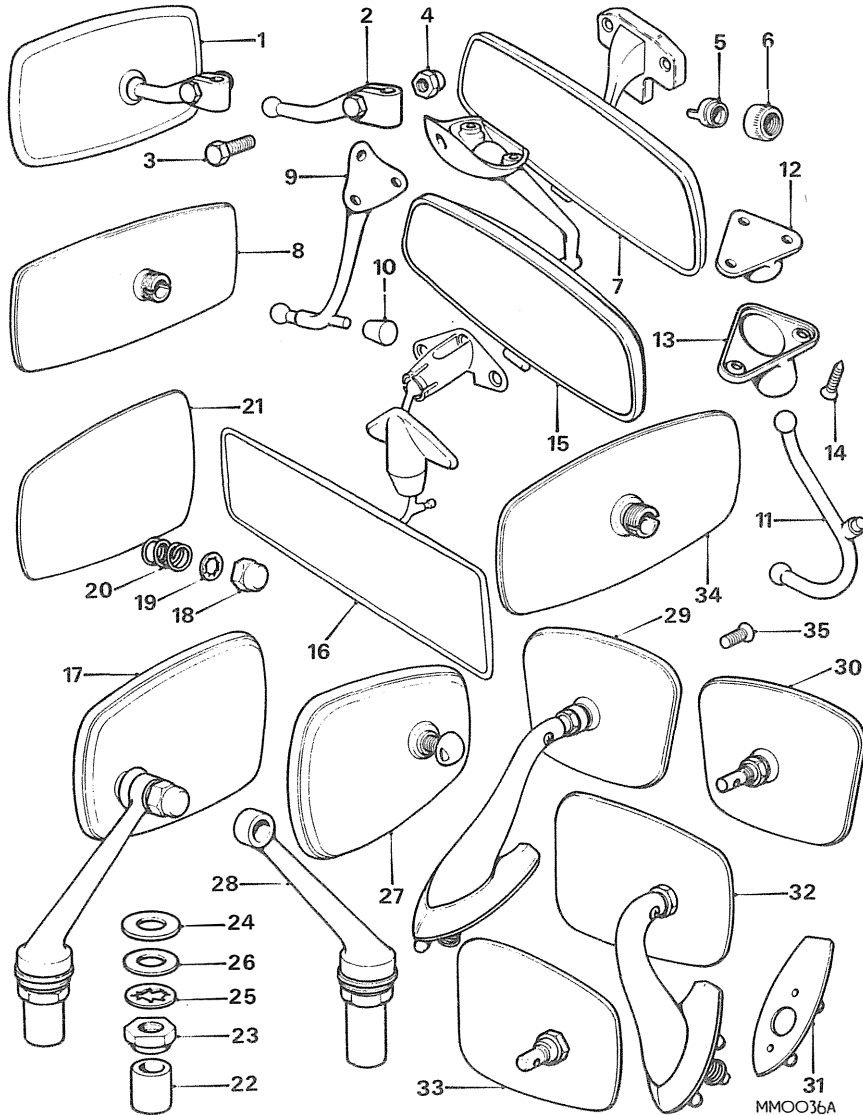
**WINDSCREEN WASHER-continued**

14	AHH 6846	JET ASSEMBLY \$	2		Tourer
15	27H 9623	Jet	2		
	LWZ 404	Washer-shakeproof	2		
	NH 604041	Nut	2		GT
16	BHA 4544	JET ASSEMBLY-TWIN \$	1		
17	27H 6898	Adaptor	NLA		
18	27H 9886	Nozzle	2		Mk 1 Mk2-Except V8 V8 N.America and Sweden Tourer-Mk1 Mk2 Supplied in multiples of metres Was BHA 4610. Except V8 Sweden
19	BHA 4510	Washer	1		
19	13H 6475	Washer	1	Use prior to 13H 7553	
	13H 7553	Windscreen washer \$	1	(C)G-HN5-G-HD5-329453 TO 410000	
20	BHA 5146	Bracket \$	1	Use prior to 13H 7553	
	13H 7553	Windscreen washer \$	1	(C)G-D2D1-650 TO 2903	
	PMZ 306	Screw-control	2		
	WL 700101	Washer-spring	2		
20	BHA 5146	Control and bracket \$	1	Use prior to 13H 7553	
	13H 7553	Control-windscreen washer \$	1	(C)G-HN5,G-HD5-329017 TO 410000	
	PMZ 306	Screw-control	2		
	WL 700101	Washer-spring	2		
21	BHA 4361	Connection-3 way	1		
22	34G 1295	Connection-3 way	1		
21	13H 6472	Connection-3 way	1	Use prior to 13H 6472	
	(C)G-HD5-321699 TO 410000				
	(C)G-HN5-360301 TO 410350				
23	17H 8579 M	Tubing-4.8mm(.188")O/D	A/R		
24	97H 2679 M	Tubing-6.4mm(.25")O/D	A/R		
26	13H 6501	Valve-line \$	1		
27	13H 6107	Strap-tubing to oil pipe (rubber)	1		
28	1B 3498	Circlip-tubing to windscreen wiper casing	NLA		
	PCR 407	Clip-plug and tube to diaphragm	2		
	PMZ 305	Screw-clip	2		
	WL 700101	Washer-spring	2		
	FNZ 103	Nut	2		

\$ This item is subject to safety regulations



Ill. No.	Part No.	DESCRIPTION	Qty.	Change Point	REMARKS
<b>MIRRORS</b>					
1	BHA 4806	MIRROR ASSEMBLY-REAR VIEW-INTERIOR.....	1	(C)G-HN3-101 TO 138400	] (C)G-HN4-138401 TO 146737
2	AHH 6940	Stem assembly .....	1	(C)G-HN4-138401 TO 146737	
	LWZ 203	Washer-spring .....	1		
4	14B 7889	Nut-dome .....	1		
7	BHA 4960	Mirror-interior(dipping).....	1	(C)G-HN5-187211 TO 410000	
8	AHH 7496	Mirror-rear view.....	1	(C)G-HD3-71933 TO 139471	] (C)G-HD4-139472 TO 139880
9	AHH 7473	Arm-mirror.....	NLA	139471	
10	AHH 7474	Buffer .....	1	139880	
11	BHA 4782	Stem mirror \$ .....	1	Except N. America	] Use BHA 4785 Mirror assembly for this APPLICATION
12	27H 6665	Base \$ .....	1	(C)G-HD4-139472 TO 187840(USA)	
13	27H 6666	Cover-plate \$ .....	1	(C)G-HD4-139881 TO 187840	
14	AHH 8845	Screw-mirror to header rail.....	1	Except N. America	
15	BHA 4955	Mirror-interior(dipping) \$.....	1	(C)G-HD5-187841 TO 410350	
				(C)G-D2D1-101 TO 2903	
16	BHA 4785	Mirror-interior(dipping).....	1	Except Germany (C)G-HD5-187841 TO 410350 Germany	] Optional extra. Except for N. America from (C)G-HN4-138401 ON (C)G-HD4-139472 ON. Was 17h 8146
17	GAM 101	MIRROR-ASSEMBLY-WING (BOOMERANG TYPE).....	2		
18	37H 9967	Nut-dome \$ .....	NLA	(C)G-HN3-101 TO 138400	
19	37H 9968	Washer \$ .....	NLA	(C)G-HN4-138401 TO 167661	
20	17H 8148	Spring \$ .....	NLA	(C)G-HD3-71933 TO 139471	
21	GAM 113	Glass \$ .....	2	(C)G-HD4-139472 TO 167661	] Optional extra. Except for N. America from (C)G-HN4-138401 ON (C)G-HD4-139472 ON
	37H 9946	ARM ASSEMBLY .....	NLA		
22	37H 9974	Ferrule(rubber) \$ .....	2		
23	37H 9970	Nut \$ .....	2		
24	37H 9971	Washer(rubber) \$ .....	2		
25	37H 9972	Washer(shakeproof) \$ .....	2		
26	37H 9973	Washer(plain) \$ .....	2		



III. No.	Part No.	DESCRIPTION	Qty.	Change Point	REMARKS
<b>MIRROR-continued</b>					
17	GAM 102	MIRROR ASSEMBLY-RH WING \$	1		(C)G-HD4-139472 TO 167661 USA (C)G-HD4-154231 TO 167661 Canada
18	37H 9967	Nut-dome \$	NLA		
19	37H 9968	Washer \$	NLA		
20	17H 8184	Spring \$	1		
21	GAM 114	Glass \$	1		
	37H 9946	ARM ASSEMBLY \$	NLA		
22	37H 9974	Ferrule(rubber) \$	1		
23	37H 9970	Nut \$	1		
24	37H 9972	Washer-shakeproof \$	1		
25	37H 9971	Washer(rubber) \$	1		
26	37H 9973	Washer(plain) \$	1		
27	AKF 1277	Mirror-wing(with nut) \$	1		(C)G-HN4-167662 TO 187210 (C)G-HN5-187211 TO 328800 (C)G-HD4-167662 TO 187840 (C)G-HD5-187841 TO 328100
28	47H 9518	Arm-mirror \$	1		
29	BHA 4676	MIRROR ASSEMBLY-EXTERIOR-DRIVERS DOOR \$	1		Use prior to BHA 5104/5
30	BHA 4677	Mirror \$	1		
31	BHA 4679	Nut-plastic \$	1		N.America and Germany
32	BHA 5104	MIRROR ASSEMBLY-DOOR-RH \$	1		
	BHA 5105	MIRROR ASSEMBLY-DOOR-LH \$	1		(C)G-HN5-258001 TO 328100 (C)G-HD5-258001 TO 328800
33	BHA 5108	Mirror	1		
31	BHA 4679	Nut-plastic	1		Use prior to BHA 4960 N.America
34	BHA 4781	Mirror-rear view-interior \$	1		
7	BHA 4960	Mirror-interior(dipping)	1		(C)G-HN5-187211 TO 410000
	GAM 133	Mirror-exterior-RH	1		Use prior to BHH 1395/6
	GAM 134	Mirror-exterior-LH	1		
	BHH 1395	Mirror-door-anti-glare-RH \$	1		(C)G-HD5-328801 TO 401337 (C)G-HN5-328101 TO 402214 (C)G-D2D1-608 TO 2822
	BHH 1396	Mirror-door-anti-glare-LH \$	1		
	CZK 6342	Plate-fixing-door mirror	2		(C)G-HN5-402215 TO 410000 (C)G-HD5-401338 TO 410350 (C)G-D2D1-2823 TO 2903
	CZA 7164	Grommet-mirror	2		
	AC 610081	Screw-mirror to door	4		
	HZA 5074	Mirror-door-anti-glare-RH \$	1		
	HZA 5075	Mirror-door-anti-glare-LH \$	1		
	DZB 5208	Plate-fixing(Breakout) \$	2		
	CZA 7164	Grommet-mirror	2		
	AC 610081	Screw-mirror to door	4		
	24G 6676	Mirror-door-Black-RH	1		
	24G 6677	Mirror-door-Black-LH	1		

\$ This item is subject to safety regulations