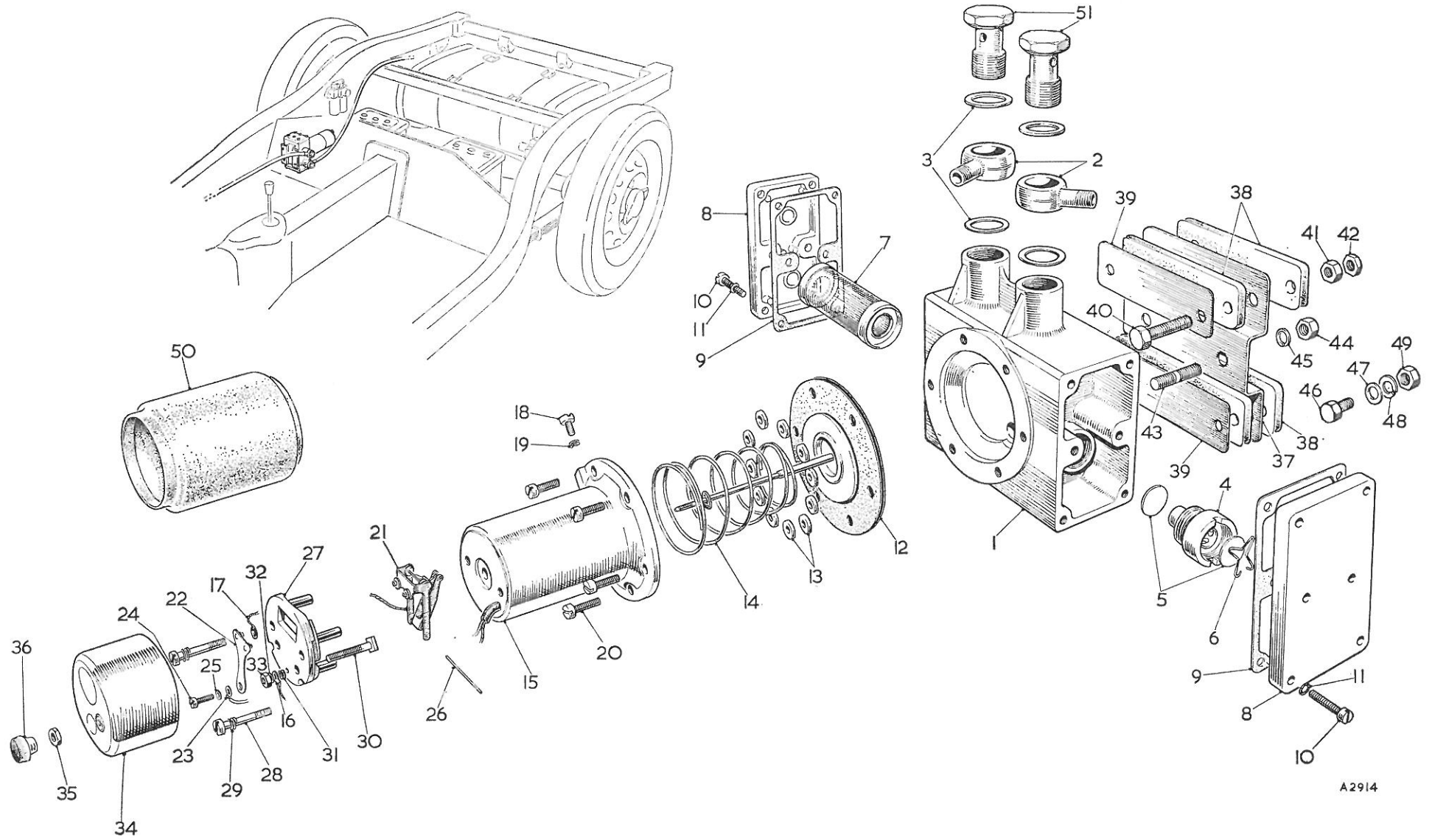
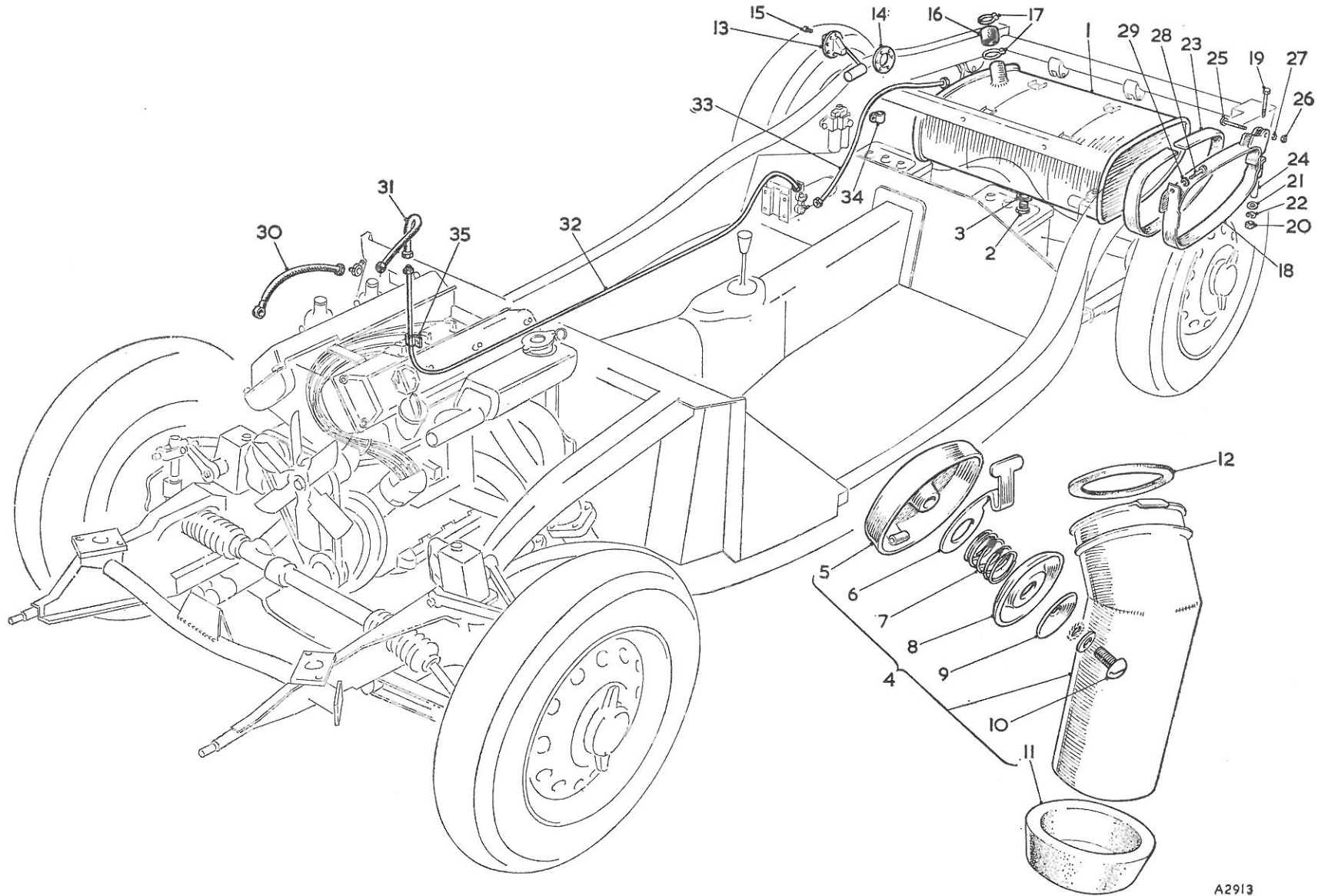


A2914

Item No.	DESCRIPTION	Commencing (E) 101		Qty. per Veh.	MODIFICATIONS		REMARKS
		Part Number	Illus. No.		New Part Number	Change Point	
	FUEL SYSTEM						
	FUEL PUMP						
1	Pump assembly	AUA73		1			
2	Body	AUA4644	1	1			
3	Union—inlet and outlet	AUC1833	2	2			
4	Washer—union to body	AUC2141	3	2			
5	Cage—valve	AUA4607	51	1			
6	Disc—valve	AUA4611	4	2			
7	Clip for valve cage	AUA4609	5	1			
8	Filter	AUA4647	6	1			
9	Lid—top and bottom	AUA4645	7	2			
10	Washer for lid	AUA4646	8	2			
11	Screw for lid	AUA4083	9	12			
12	Washer for screw	AUA4643	10	12			
13	Diaphragm assembly	AUA6013	11	1	AUA6012		AUA6013 not available use AUA6012
14	Roller	AUA1433	12	11			
15	Spring (for use with AUA6003)	AUA1785	13	1			
16	Spring (for use with AUA6017)	AUA875	14	1			
17	Coil housing	AUA6003	15	1	AUA6017		AUA6003 not available use AUA6017
18	Tag—5 BA terminal	AUA1455	16	1			
19	Tag—2 BA terminal	AUA1456	17	1			
20	Screw—earth	AUA4850	18	1			
21	Washer for earth screw (spring)	AUA1863	19	1			
22	Screw—housing to body	AUA1453	20	6			
23	Rocker and blade	AUA6021	21	1			
24	Blade	AUA6036	22	1			
25	Tag—2 BA terminal	AUA1456	23	1			
26	Screw for blade	AUA565	24	1			
27	Washer for screw (spring)	AUA566	25	1			
28	Spindle for contact breaker	AUA1435	26	1			
29	Pedestal	AUA6034	27	1			
30	Screw—pedestal to housing	AUA1459	28	2			
31	Washer for screw (spring)	AUA1863	29	2			
32	Screw for terminal	AUA1468	30	1			
33	Washer for screw (spring)	AUA1863	31	1			
34	Washer for screw (lead)	AUA1662	32	1			
35	Nut for screw	AUA1661	33	1			
36	Cover—end	AUA1466	34	1			
37	Nut for cover	AUA878	35	1			
38	Knob—terminal	AUA869	36	1			
39	Sleeve—rubber	AUA504		1			



A2914

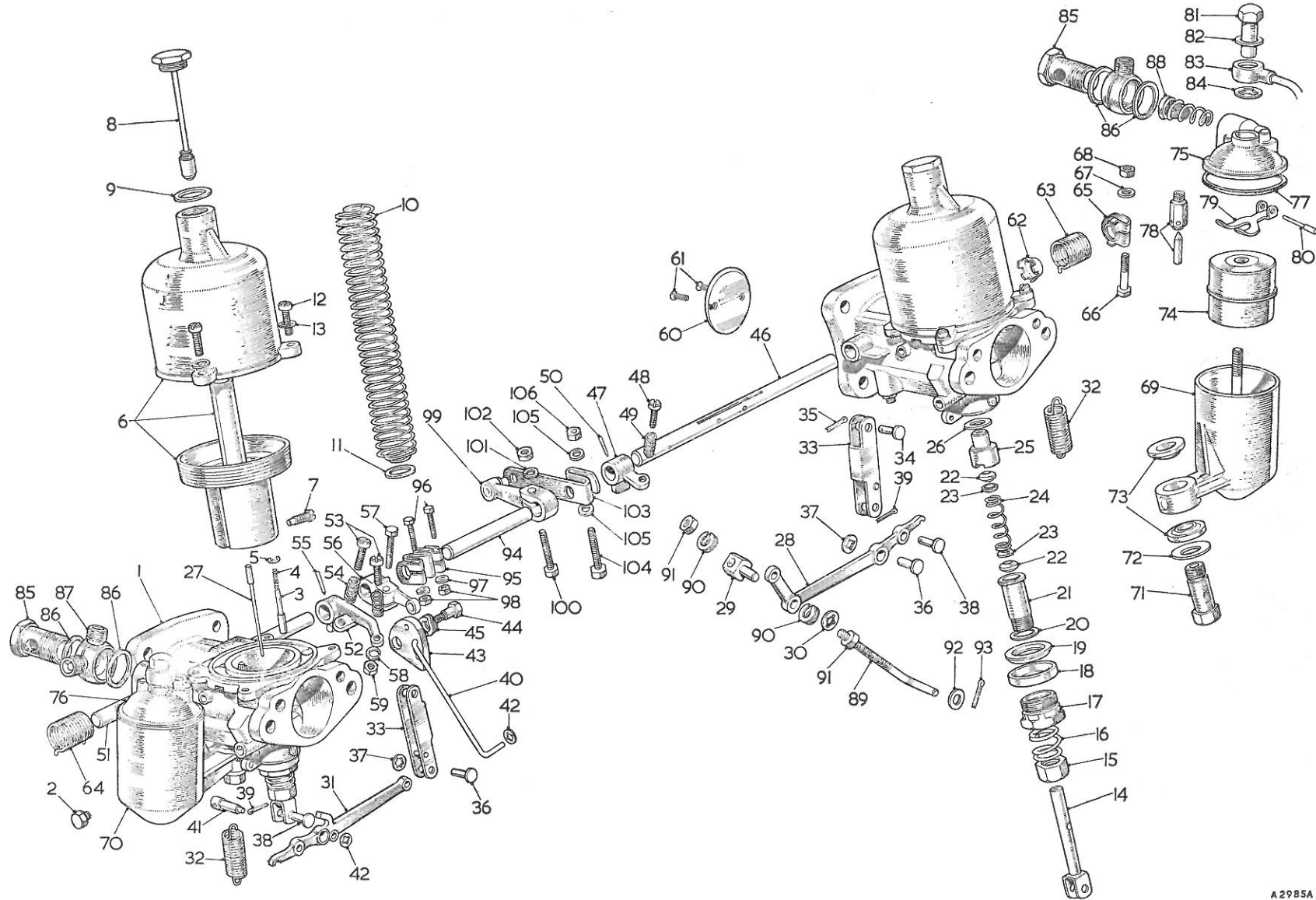


A2913

SERVICE PARTS LIST

THE MG Series MGA TWIN CAM

Item No.	DESCRIPTION	Commencing (C) 501		Qty. per Veh.	MODIFICATIONS		REMARKS
		Part Number	Illus. No.		New Part Number	Change Point	
	FUEL TANK						
1	Tank—fuel	AHH5121	1	1			
2	Plug.....	AHH5605	2	1			
3	Joint for plug	AHH5606	3	1			
4	Extension—filler	AHH5104	4	1			
5	Cap—filler	ACH5781	5	1			
6	Lever—filler cap	97H474	6	1			
7	Spring—release	97H2048	7	1			
8	Plate—sealing	97H2049	8	1			
9	Washer—dished	97H2050	9	1			
10	Screw—cap to filler	97H2056	10	1			
11	Ring—sealing	ACH5850	11	1			
12	Ferrule—filler extension (rubber)	ACH5780	12	1			
13	Unit attachment—tank	AHH5114	13	1			
14	Gasket—tank attachment (cork)	2H1082	14	1			
15	Screw—tank unit to tank	ACA5127	15	6			Correction was ACB5468
16	Hose—filler connection	AHH5286	16	1			
17	Clip—hose	95482	17	2			
18	Strap and mounting assembly	AHH5107	18	2			
19	Bolt	HBZ0422	19	2			
20	Nut	LNZ104	20	2			
21	Washer (plain)	PWZ104	21	2			
22	Washer (spring)	LWZ204	22	2			
23	Strap—packing—tank mounting (100")	AHH5115	23	2			
24	Distance piece—rear mounting	AHH5113	24	2			
25	Bolt—rear mounting	HBZ0416	25	2			
26	Nut for bolt	FNZ104	26	2			
27	Washer for nut (spring)	LWZ204	27	2			
28	Screw—front mounting	HZS0505	28	2			
29	Washer for screw (spring)	LWZ205	29	2			
	FUEL PIPES						
30	Pipe—between carburetters (flexible)	ACH8977	30	1			
31	Pipe—main pipe to carburetter (flexible)	AHH5544	31	1			
32	Pipe assembly—fuel pump to carburetters	AHH5812	32	1			
33	Pipe assembly—tank to fuel pump	AHH5290	33	1			
34	Clip—pipe to rear shock absorber bolt	54516	34	1			Correction was AHH5291
35	Clip—pipe to steering draught excluder bolt	PCR0511	35	1			



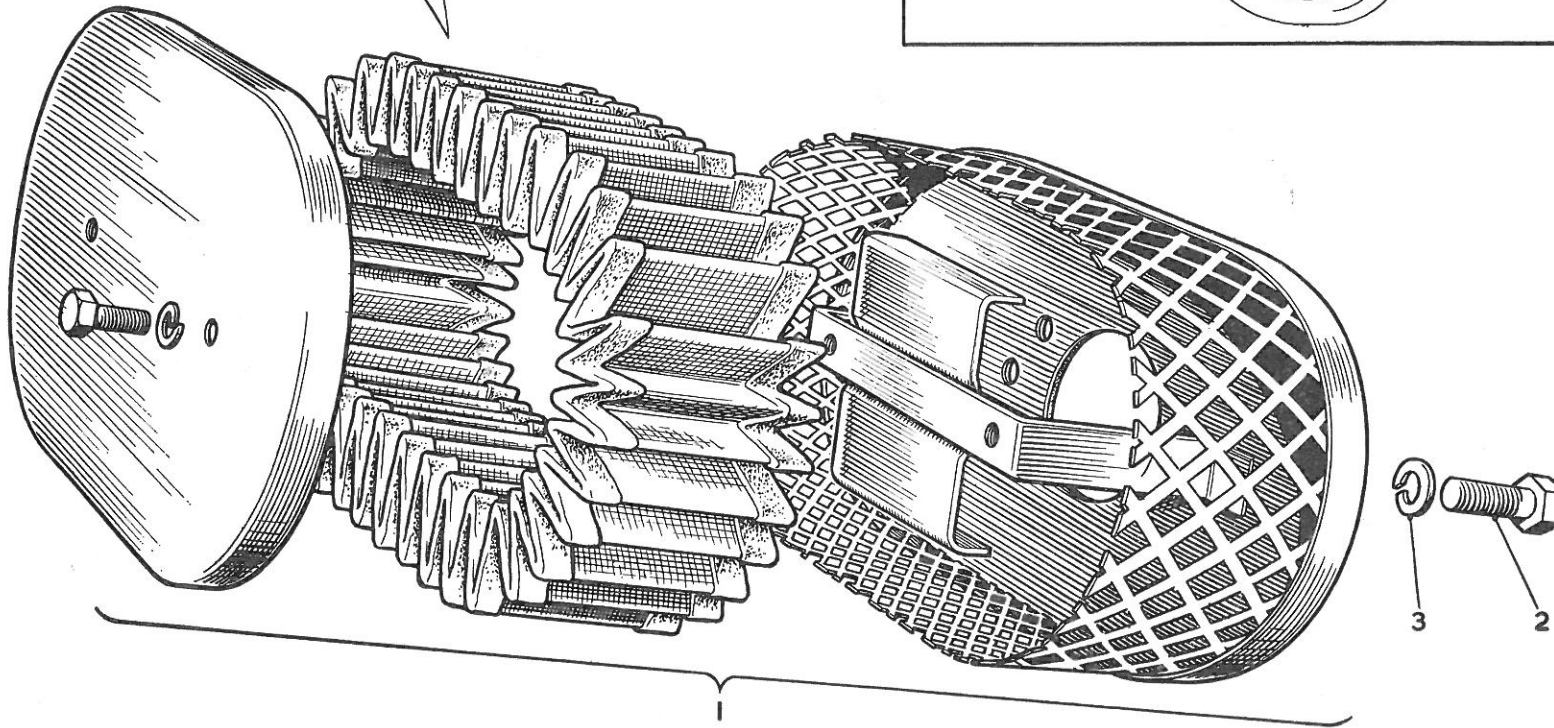
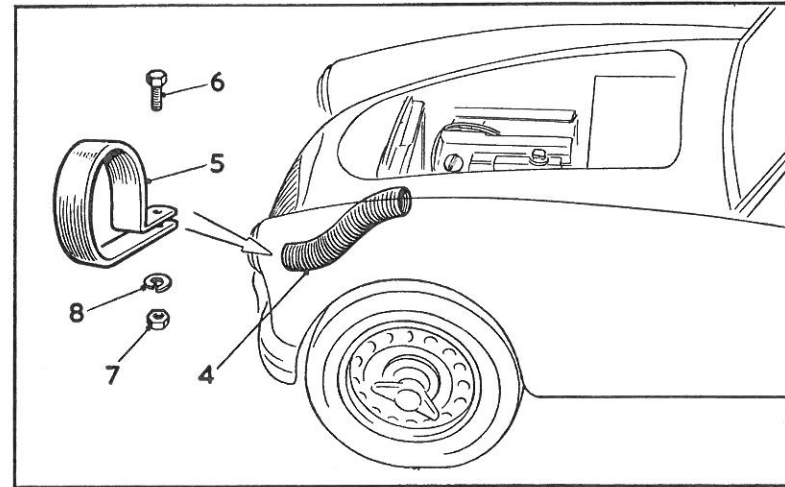
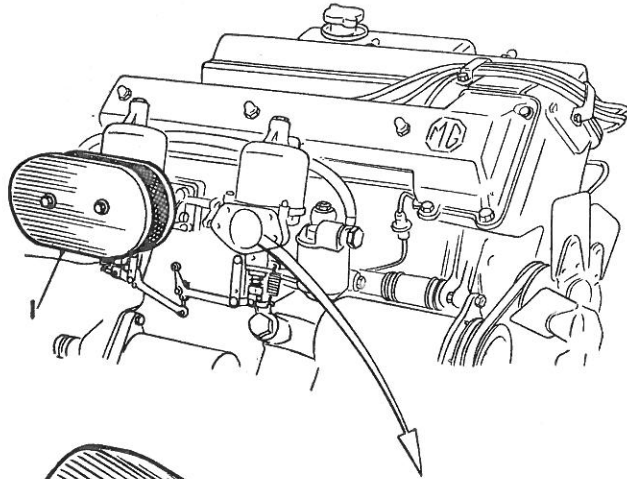
A2985A

SERVICE PARTS LIST

THE MG Series MGA TWIN CAM

DESCRIPTION	Part No.	Illus No.	Qty. off	MODIFICATIONS	
				New Part No.	REMARKS
Carburettor installation	AUC877		1		
Carburettor assembly—front	AUC9054		1		
Carburettor assembly—rear	AUC9055		1		
Body—front carburettor	AUC6056		1		
Body—rear carburettor	AUC6059		1		
Plug—auto ignition	AUC1289		2		
Pin—piston lifting	AUC1249		3		
Spring for pin	AUC1151		4		
Circlip for pin	AUC1250		5		
Chamber and piston assembly	AUC8056		6		
Screw—needle locking	AUC2468		7		
Cap and damper assembly	AUC8114		8		
Washer for cap (fibre)	AUC4900		9		
Spring—red—for piston	AUC4387		10		
Washer for spring	AUC3071		11		
Screw—chamber to body	AUC2175		12		
Washer—spring—for screw	AUC2246		13		
Jet assembly	AUC8183		14		
Nut—adjusting	AUC2121		15		
Spring for adjusting nut	AUC2114		16		
Nut—gland sealing	AUC3232		17		
Ring—sealing (brass)	AUC2117		18		
Ring—sealing (cork)	AUC2118		19		
Washer—bottom bearing (copper)	AUC3233		20		
Bearing—bottom	AUC3231		21		
Washer—gland (cork)	AUC2120		22		
Washer—gland (brass)	AUC2119		23		
Spring—gland	AUC1158		24		
Bearing—top	AUC3230		25		
Washer—top bearing (copper)	AUC2122		26		
Needle—R.H.—rich—jet	AUD1291		2		
Needle—OA6—standard—jet	AUD1276		27		
Needle—OA7—weak—jet	AUD1277		2		
Lever—jet	AUC5092		28		
Trunnion for lever	AUC4916		29		
Washer—starlock for trunnion	AUC5004		30		
Lever—jet	AUC5091		31		
Spring—jet lever—return	AUC4667		32		
Link assembly—jet lever	AUC4819		33		
Pin—link to body	AUC2381		34		
Split pin for pin	AUC2109		35		
Pin—link to lever	AUC5009		36		
Washer—starlock for pin	AUC5004		37		
Pin—lever to jet	AUC2381		38		
Split pin for pin	AUC2109		39		
Link—tension	AUC5055		40		
Swivel pin—link to lever	AUC5011		41		
Washer—starlock—for link and swivel pin	AUC5002		42		For AUC9055
Cam—plate	AUC4730		43		
Bolt—pivot—for cam plate	AUC3471		44		
Washer—spring—for bolt	AUC3472		45		
Spindle—throttle	AUC4765		46		
Lever—stop—throttle	AUC2198		47		
Screw—stop—adjusting	AUC3464		48		For AUC9054
Spring for screw	AUC3465		49		
Pin for throttle stop—lever	AUC2106		50		

DESCRIPTION	Part No.	Illus No.	Qty. off	MODIFICATIONS	
				New Part No.	REMARKS
Spindle—throttle	AUC4765		51		
Lever—stop—throttle	AUC4713		52		
Screw—stop—adjusting	AUC3464		33		
Spring for screw	AUC3465		54		
Pin for throttle stop lever	AUC2106		55		For AUC9055
Lever—throttle	AUC1501		56		
Bolt for lever	AUC2694		57		
Washer—spring—for bolt	AUC2246		58		
Nut for bolt	AJD8012		59		
Disc—throttle	AUC3280		60		
Screw for disc	AUC1358		61		
Plate—return spring—anchor	AUC4770		62		
Spring—return	AUC4782		63		For AUC9054
Spring—return	AUC4781		64		For AUC9055
Clip for return spring	AUC4771		65		
Bolt for clip	AUC2669		66		
Washer—plain—for bolt	AUC4612		67		
Nut for bolt	AUC2673		68		
Chamber—float	AUC3495		69		
Chamber—float	AUC3496		70		
Bolt—Chamber to body	AUC1135		71		
Washer—dished—for bolt	AUC1137		72		AUC1337
Grommet—rubber	AUC1134		73		AUC1534
Float	AUC1123		74		
Lid—float chamber	AUC4260		75		For AUC9054
Lid—float chamber	AUC4261		76		For AUC9055
Washer for lid	AUC1147		77		
Needle and seat assembly	AUC8170		78		
Lever—hinged	AUC1980		79		
Pin for hinged lever	AUC1152		80		
Cap nut for lid	AUC1867		81		
Washer for nut (aluminium)	AUC1557		82		
Banjo vent and drain pipe	AUC3202		83		
Washer (fibre)	AUC1928		84		
Bolt—banjo	AUC2698		85		
Washer for bolt (fibre)	AUC2141		86		
Union—banjo—double	AUC1832		87		For AUC9055
Filter	AUC2139		88		
Rod—link	AUC4915		87		
Washer—spring—for rod	AUC1863		90		
Nut for rod	AJD8012		91		
Washer (brass)	AUC1006		92		
Split pin for rod	AUC2109		93		
Rod—throttle connecting	AUC2413		94		
Coupling for rod	AUC4334		95		
Bolt for coupling	AUC2669		96		
Washer for bolt	AUC4612		97		
Nut for bolt	AUC2673		98		
Lever—drive (brass)	AUC8207		99		
Bolt for lever	AUC2694		100		
Washer—spring—for bolt	AUC2246		101		
Nut for bolt	AJD8012		102		
Lever—coupling	AUC8399		103		
Bolt for lever	AUC8400		104		
Washer—plain—for bolt	AUC8396		105		
Nut for bolt	AJD8012		106		



A2934

SERVICE PARTS LIST

THE MG Series MGA TWIN CAM

Item No.	DESCRIPTION	Commencing (C) 501		Qty. per Veh.	MODIFICATIONS		REMARKS
		Part Number	Illus. No.		New Part Number	Change Point	
	Carburetter—continued						
1	Joint—carburetter to inlet manifold	AED308		2			
2	Clip for drain pipe	AED240		2			
3	Grommet for clip	11B424		2			
	AIR CLEANER						
4	Cleaner—air	AHH5831	1	2	AHH5960	Com. (C) 2468	Always supply AHH5960 prior to (C) 2468 with 4 off HZS0507
5	Gasket—air cleaner to carburetter	37H726		2			
6	Screw fixing cleaner	HZS0506	2	4	HZS0507	Com. (C) 2468	
7	Washer for screw (spring)	LWZ205		4			
8	Washer for screw (spring)	LWZ205	3	4			
	AIR INTAKE HOSE						
9	Hose—air intake	AHH5394	4	1			
10	Clip for hose	AHH5714	5	1			
11	Screw fixing clip	PMZ0316	6	1			
12	Nut for screw	FNZ103	7	1			
13	Washer for nut (spring)	LWZ203	8	1			