

A2915

SERVICE PARTS LIST

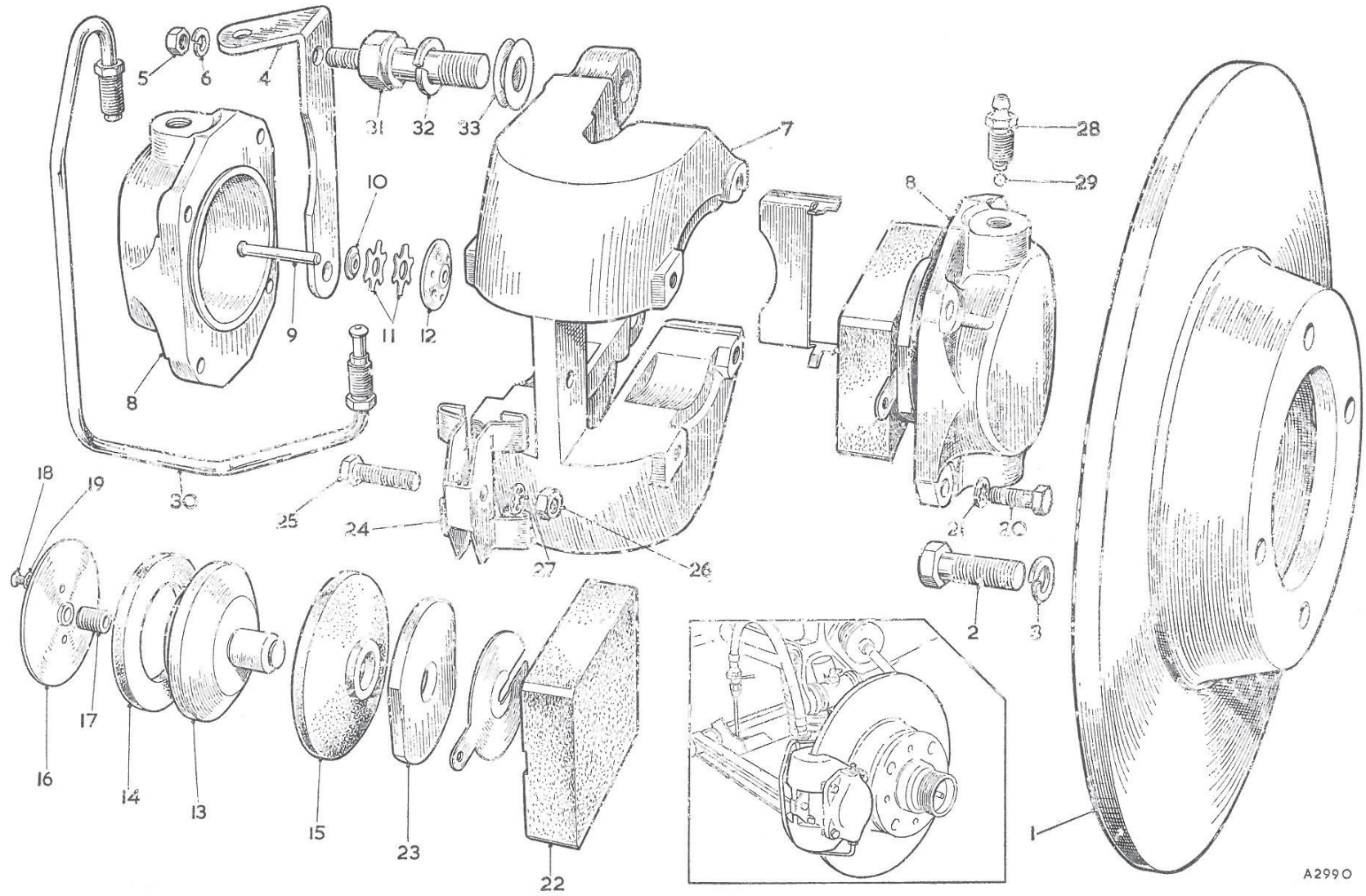
THE MG Series MGA TWIN CAM

Item No.	DESCRIPTION	Commencing (C) 501		Qty. per Veh.	MODIFICATIONS		REMARKS
		Part Number	Illus. No		New Part Number	Change Point	
	FRONT AXLE AND SUSPENSION						
1	Front suspension assembly (R/H)	N.S.P.		1			
2	Front suspension assembly (L/H)	N.S.P.		1			
3	Steering knuckle (R/H)	ATB4232	1	1			
4	Steering knuckle (L/H)	ATB4233		1			
5	Pin—swivel (R/H)	ATB4218	2	1			
6	Pin—swivel (L/H)	ATB4219		1			
7	Link—swivel pin—lower (R/H)	ATB4212	3	1			
8	Link—swivel pin—lower (L/H)	ATB4213		1			
9	Bush	ACG6005	4	2			
10	Plate	ACA4010	5	2			
11	Link swivel pin upper (R/H)	AIB4208	6	1			
12	Link swivel pin upper (L/H)	ATB4209		1			
13	Bush	ACG6005	7	2			
14	Plate	ACA4010	8	2			
15	Seal for swivel pin	ACG4030	9	4			
16	Lever—steering (R/H)	ATB4258	10	1			
17	Lever—steering (L/H)	ATB4259		1			
18	Key for steering lever	WKN506	11	2			
19	Nut for steering lever	LNZ110	12	2] Alternatives
20	Nut for steering lever	LNZ210		2			
21	Washer for nut (plain)	PWZ110	13	2			
22	Hub assembly (R/H)	ATB4236	14	1			
23	Hub assembly (L/H)	ATB4237		1			
24	Seal—oil	8G555	15	2			
25	Collar for oil seal	ATB4243	17	2			
26	Bearing for hub-inner	1B4399	16	2			
27	Spacer for bearing	ATB4239	19	2			
28	Bearing for hub-outer	ATB4238	20	2			
29	Shim for bearing (.003" [.0762 mm])	ATB4240	21	A/R			
30	Shim for bearing (.005" [.127 mm])	ATB4241		A/R			
31	Shim for bearing (.010" [.254 mm])	ATB4242		A/R			
32	Washer—bearing retaining	1A4742	22	2			
33	Nut—bearing retaining	51K330	23	2			
34	Cup—grease retaining	ATB4245	24	2			

SERVICE PARTS LIST

THE MG Series MGA TWIN CAM

Item No.	DESCRIPTION	Commencing (C) 501		Qty. per Veh.	MODIFICATIONS		REMARKS
		Part Number	Illus. No.		New Part Number	Change Point	
	Front Axle and Suspension —continued						
1	Spring pan assembly	126905	25	2	AHH5925	Com. (C) 2275	
2	Wishbone assembly—bottom	126908	26	4/2			Quantity reduced at (C) 2275
3	Wishbone assembly bottom front (R/H)				AHH5927] Com. (C) 2275	
4	Wishbone assembly bottom front (L/H)			1	AHH5929		
5	Screw—spring pan to wishbone	HZS0507	27	4/2			Quantity reduced at (C) 2275
6	Screw—spring pan to wishbone	HZS0508	28	4			
7	Nut for screw	FNZ105	29	8/6] Quantity reduced at (C) 2275
8	Washer for nut (spring)	LWZ205	30	8/6			
9	Distance tube—lower link	126900	31	2			
10	Washer for lower link (thrust)	127657	32	4			
11	Seal—link	126902	33	4			
12	Support for link seal	126903	34	4			
13	Bolt—bottom wishbone to link	AHH4001	35	2			
14	Nut for bolt	FNZ308	36	2			
15	Washer for nut (spring)	LWZ208	37	2			
16	Pivot—bottom wishbone	AHH4003	38	2			
17	Bolt—pivot to member	ACB5255	39	8			
18	Washer for front bolt (fitted under head)	PWZ106	40	2			
19	Nut for bolt	LNZ106	41	8			
20	Washer for nut (spring)	LWZ206	42	8			
21	Bush—bottom wishbone	126914	43	8			
22	Washer for wishbone pivot	126915	44	4			
23	Nut—wishbone pivot	FNZ408	45	4			
24	Spring—coil	AHH5789	46	2			
25	Spigot—coil spring	AHH5897	47	2			
26	Screw—spigot to cross member	CMZ0418	48	4			
27	Nut for bolt	FNZ104	49	4			
28	Washer for nut (spring)	LWZ204	50	4			
29	Absorber—shock	AHH4004	51	2			
30	Stud—shock absorber to cross member	AHH5070	52	8			
31	Nut for stud	FNZ106	53	8			
32	Washer for nut (spring)	LWZ206	54	8			
33	Bolt—shock absorber to link	AHH4002	55	2			
34	Nut for bolt	FNZ308	56	2			
35	Washer for nut (spring)	LWZ208	57	2			
36	Distance tube—upper link	126900	58	2			
37	Washer for upper link (thrust)	127657	59	4			
38	Seal for upper link	126902	60	4			
39	Support for seal	126903	61	4			
40	Lubricator for link	UHN405	62	4			
41	Rubber—check	500822	63	2			
42	Distance piece for check rubber	500823	64	2			
43	Screw—check rubber to cross member	HZS0504	65	2			
44	Washer for screw (spring)	LWZ205	66	2			
45	Bolt—check rubber to cross member	HBZ0512	67	4			
46	Nut for bolt	FNZ105	68	4			
47	Washer for nut (spring)	LWZ205	69	4			



A2990

SERVICE PARTS LIST

THE MG Series MGA TWIN CAM

Item No.	DESCRIPTION	Commencing (C) 501		Qty. per Veh.	MODIFICATIONS		REMARKS
		Part Number	Illus. No.		New Part Number	Change Point	
	Front Axle and Suspension —continued						
1	Disc—brake	ATB4244	1	2			
2	Bolt—brake disc to hub	ATB4247	2	8			
3	Washer for bolt (spring)	LWZ2207	3	8			
4	Bracket—hose (R/H)	ATB4256	4	1			
5	Bracket—hose (L/H)	ATB4257	4	1			
6	Nut for bracket	FNZ105	5	4			
7	Washer for nut (spring)	LWZ205	6	4			
8	Calliper unit assembly (R/H)	ATB4266	1	1	BTB134	Com. (C) 836 approx.	ATB4266 not available use BTB 134 ATB4267 not available use BTB 135
9	Calliper unit assembly (L/H)	ATB4267	1	1	BTB135		
10	Calliper (R/H)	7H8261	7	1			
11	Calliper (L/H)	7H8261	7	1			
12	Cylinder assembly	7H8200	4	4	7H8257	Com. (C) 836 approx.	
13	Cylinder		8	4			Not supplied separately items included in assembly.
14	Pin—retractor		9	4			
15	Bush—retractor stop		10	4			
16	Washer (spring)		11	8			
17	Cap		12	4			
18	Piston assembly	7H8211	4	4	7H8209	Com. (C) 836 approx.	
19	Piston		13	4			Not supplied separately
20	Seal—piston		14	4			Not supplied separately
21	Seal—dust		15	4			items included in kit 8G8194
22	Plate		16	4			Not supplied separately
23	Bush—retractor	7H8212	17	4			
24	Screw—plate to piston	AJD802N	18	8			
25	Washer for screw (shakeproof)		19	8	7H8222	Com. (C) 836 approx.	
26	Bolt—cylinder to caliper	7H8206	20	16			
27	Washer for bolt (shakeproof)	7H8207	21	16			
28	Pad assembly—friction	7H8201	22	4			
29	Plate—support	7H8202	23	4			
30	Plate—keep	7H8203	24	2			
31	Bolt for keep plate	7H8204	25	2	HZS0407	Com. (C) 836 approx.	
32	Nut for bolt	FNZ104	26	2			
33	Washer for nut (shakeproof)	7H8207	27	2			
34	Screw—bleed	7H8252	28	2			
35	Ball for bleed screw	BLS106	29	2			
36	Pipe—bridge (R/H)	7H8205	30	1	7H8210	Com. (C) 836 approx.	
37	Pipe—bridge (L/H)	7H8208	30	1	7H8221		
38	Bolt—calliper to stud axle	ATB4255	31	4			
39	Washer for bolt (spring)	LWZ207	32	4			
40	Shim—calliper to stub axle (.003" [.0762 mm])	ATB4251	33	A/R			
41	Shim—calliper to stub axle (.005" [.127 mm])	ATB4252		A/R			
42	Shim—calliper to stub axle (.020" [.508 mm])	ATB4253		A/R			
43	Kit—calliper repair	8G8194		4			
44	Seal—piston			4			
45	Seal—dust			4			