

SERVICE PARTS LIST

THE MG Series MGA TWIN CAM

Item No.	DESCRIPTION	Commencing (C) 501		Qty. per Veh.	MODIFICATIONS		REMARKS
		Part Number	Illus. No.		New Part Number	Change Point	
	<b>BODY SHELL</b>						
1	Shell—body	AFH6582		1			
2	Front end assembly	AFH4891		1	AFH5833	Com. (C) 592	
3	Panel—bonnet surround	AFH1520	1	1			
4	Front side assembly (R/H)	AFH5796	2	1	AFH5836	] Com. (C) 592	
5	Front side assembly (L/H)	AFH5797	3	1	AFH5837		
6	Bonnet surround reinforcement	AFH1521	4	1			
7	Panel assembly—front bulkhead	AFH5472	5	1			
8	Panel—radiator duct	AFH4893	6	1			
9	Box assembly—R/H air duct	AFH1502	7	1			
10	Box assembly—L/H air duct	AFH1503	8	1			
11	Strip—front bulkhead packing	AFH1794	9	1			
12	Tube—air duct	AFH5792	10	2			
13	Panel—front wheelarch detachable (R/H)		11	1	AFH5844	] Com. (C) 592	
14	Panel—front wheelarch detachable (L/H)		12	1	AFH5845		
15	Screw fixing panel		13	14	PJZ1003		
16	Nut for screw		14	14	PFS310		
17	Cover plate—heater aperture	AHH5252	15	1			
18	Gasket—heater sealing	AHH5253	16	2			
19	Screw fixing cover plate	PPZ0310	17	8			
20	Washer for screw (spring)	LWZ203	18	8			
21	Grommet—blanking valve control	4G2541	19	1			
22	Panel—front valance	AFH1896	20	1			Tourer
23	Screw fixing panel	AFH2587	21	14			
24	Washer for screw (spring)	LWZ203	22	14			
25	Washer plate—valance to body	AFH2546	23	6			
26	Washer for screw (plain)	PWZ203	24	8			
27	Bracket—bonnet lock safety catch	AFH1767	25	1			
28	Screw fixing bracket	AFH2587	26	2			
29	Washer for screw (plain)	PWZ203	27	2			
30	Washer for screw (spring)	LWZ203	28	2			
31	Panel assembly—bonnet lid	AFH4880	29	1			
32	Safety catch assembly	14A366	30	1			
33	Batten—bonnet lid stiffening	AFH4879	31	1			
34	Wing assembly—front (R/H)	AFH1690	32	1	AFH6614	] Com. (C) 2193	
35	Wing assembly—front (L/H)	AFH1691	33	1	AFH6615		
36	Piping—front wing	AFH1692	34	2			
37	Screw—front wing to body (1")	HPZ0508	35	21			
38	Screw—front wing to body (1 1/4")	HPZ0510	36	5			
39	Washer plate—front wing fixing	AFH2627	37	22			
40	Washer for screw—small (plain)	PWZ105	38	2			
41	Washer for screw—large (plain)	PWZ205	39	2			
42	Washer for screw (spring)	LWZ205	40	26			
43	Screw—front wing to sill	AFH2587	41	6			
44	Washer for screw (spring)	LWZ203	42	6			
45	Washer plate—wing lower fixing	AFH2546	43	6			

SERVICE PARTS LIST

THE MG Series MGA TWIN CAM

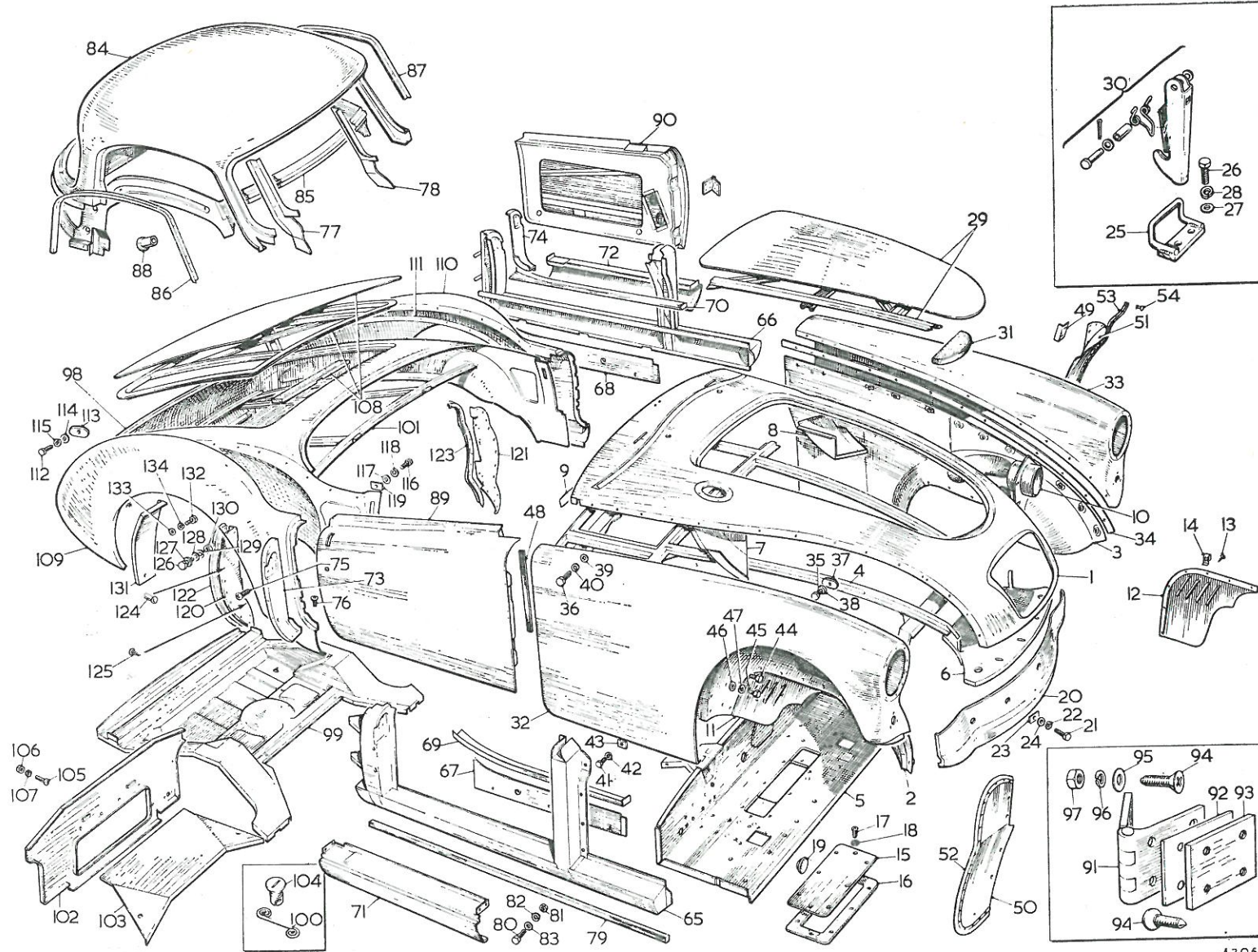
Item No.	DESCRIPTION	Commencing (C) 501		Qty. per Veh.	MODIFICATIONS		REMARKS
		Part Number	Illus. No.		New Part Number	Change Point	
	<b>Body Shell—continued</b>						
1	Screw—wing closing plate to body	HPZ0408	44	2			
2	Screw—wing closing plate to body	HPZ0406	45	6			
3	Washer for screw (plain)	PWZ204	46	8			
4	Washer for screw (spring)	LWZ204	47	8			
5	Packing—front wing	AFH3840	48	2			
6	Bracket assembly—front wing splash plate	AFH1700	49	2			
7	Splash plate—R/H front wing	AFH1702	50	1			
8	Splash plate—L/H front wing	AFH1703	51	1			
9	Seal—R/H front splash plate (rubber)	AFH1710	52	1			
10	Seal—L/H front splash plate (rubber)	AFH1711	53	1			
11	Rivet—seal to plate	BRP906	54	34			
12	Screw—splash plate to body	HPZ0405		12			
13	Washer for screw (plain)	PWZ204		12			
14	Washer for screw (spring)	LWZ204		12			
15	Screw fixing front splash plate	HZS0405		4			
16	Washer for screw (plain)	PWZ204		4			
17	Washer for screw (spring)	LWZ204		4			
18	Washer plate—splash plate to wing	AFH2546		2			
19	Screw—splash plate to wing	AFH2587		2			
20	Nut for screw	FNZ103		2			
21	Washer for nut (spring)	LWZ203		2			
22	Sill reinforcement and pillar assembly (R/H)	AFH1620	65	1			
23	Sill reinforcement and pillar assembly (L/H)	AFH1621	66	1			
24	Panel—sill inner (R/H)	AFH1656	67	1			Tourer
25	Panel—sill inner (L/H)	AFH1657	68	1			
26	Plate—sill sealing (R/H)	AFH1658	69	1			
27	Plate—sill sealing (L/H)	AFH1659	70	1			
28	Panel—sill outer (R/H)	AFH2624	71	1			
29	Panel—sill outer (L/H)	AFH2625	72	1			
30	Pillar top extension—R/H door hinge	AFH1624	73	1			
31	Pillar top extension—L/H door hinge	AFH1625	74	1			
32	Backing plate—R/H hinge pillar extension	AFH1626	75	1			
33	Backing plate—L/H hinge pillar extension	AFH1627	76	1			
34	Panel—shut pillar facing (R/H)	AFH898	77	1			
35	Panel—shut pillar facing (L/H)	AFH899	78	1			
36	Screw fixing facing panel (side)	RPZ0310	79	6			
37	Screw fixing facing panel (bottom)	RTZ804	80	4			
38	Screw fixing facing panel (top)	CTZ804	81	4			
39	Finisher—sill lower	AFH3752	82	2			
40	Bolt fixing sill finisher (special)	AFH3753	83	10			
41	Nut for bolt	FNZ103	84	10			
42	Lockwasher for unit	LWZ403	85	10			
43	Washer for nut (plain)	PWZ203	86	10			
44	<b>Door assembly (R/H)</b>	AFH1666	87	1			
45	<b>Door assembly (L/H)</b>	AFH1667	88	1			
46	Stiffener—door casing	AFH1899	89	2			

SERVICE PARTS LIST

THE MG Series MGA TWIN CAM

Item No.	DESCRIPTION	Commencing (C) 501		Qty. per Veh.	MODIFICATIONS		REMARKS
		Part Number	Illus. No.		New Part Number	Change Point	
	<b>Body Shell—continued</b>						
1	Hinge—door	AFH5832	90	4			
2	Packing—door hinge	AFH5827	91	4			
3	Plate—tapping	AFH1464	92	4			
4	Screw fixing hinge	CPZ0412	93	32			
5	Washer for screw (plain)	PWZ204	94	16			
6	Washer for screw (spring)	LWZ204	95	16			
7	Nut for screw	FNZ104	96	16			
8	<b>Tonneau assembly</b>	AFH1754		1			
9	Tonneau sub-assembly	AFH1870		1			
10	Tonneau	AFH1871	97	1			
11	Floor assembly—trunk	AFH1874	98	1			
12	Dzus spring	7H9828	99	2			
13	Reinforcement assembly—tonneau	AFH1579	100	1			
14	Panel assembly—rear bulkhead	AFH1585	101	1			
15	Panel assembly—battery cover	AFH1663	102	1	AFH6866	Com. (C) 2540	
16	Dzus fastener	7H9827	103	2			
17	Screw fixing rear bulkhead panel	PMZ0308	104	2			
18	Nut for screw	FNZ103	105	2			
19	Washer for nut (spring)	LWZ203	106	2			
20	<b>Lid assembly—trunk</b>	AFH5474	107	1			
21	<b>Wing assembly—rear (R/H)</b>	AFH1768	108	1			
22	<b>Wing assembly—rear (L/H)</b>	AFH1769	109	1			
23	Piping—rear wing	AFH1693	110	2			
24	Screw—rear wing to body	HPZ0508	111	22			
25	Washer plate—rear wing fixing	AFH2627	112	20			
26	Washer for screw (plain)	PWZ205	113	2			
27	Washer for screw (spring)	LWZ205	114	22			
28	Screw—rear wing to sill	AFH2587	115	4			
29	Washer for screw (plain)	PWZ203	116	4			
30	Washer for screw (spring)	LWZ203	117	4			
31	Washer plate—wing lower fixing	AFH2546	118	4			
32	Splash plate—rear wing R/H front	AFH4782	119	1			
33	Splash plate—rear wing L/H front	AFH4783		1			
34	Seal—splash plate R/H (rubber)	AFH4784	120	1			
35	Seal—splash plate L/H (rubber)	AFH4785		1			
36	Rivet—seal to plate	BRP906	121	22			
37	Screw—lower plate fixing	PTZ604	122	4			
38	Screw—plate to body	HZS0405	123	4			
39	Washer for screw (plain)	PWZ204	124	4			
40	Washer for screw (plain)	PWZ104	125	4			
41	Washer for screw (spring)	LWZ204	126	4			
42	Nut for screw	FNZ104	127	4			
43	Splash plate assembly—rear wing R/H rear	AFH1704	128	1			
44	Splash plate assembly—rear wing L/H rear	AFH1705		1			
45	Screw fixing rear splash plate	HZS0405	129	8			
46	Washer for screw (plain)	PWZ204	130	8			
47	Washer for screw (spring)	LWZ204	131	8			

Tourer



A3061

SERVICE PARTS LIST

THE MG Series MGA TWIN CAM

Item No.	DESCRIPTION	Commencing (C) 501		Qty. per Veh.	MODIFICATIONS		REMARKS
		Part Number	Illus. No.		New Part Number	Change Point	
	<b>Body Shell—continued</b>						
1	Shell—body	AFH6594		1			
2	Front end assembly	AFH4892		1	AFH5834	Com. (C) 594	
3	Panel—bonnet surround	AFH3866	1	1			
4	Front side assembly (R/H)	AFH5798	2	1	AFH5838	] Com. (C) 594	
5	Front side assembly (L/H)	AFH5799	3	1	AFH5839		
6	Bonnet surround reinforcement	AFH3867	4	1			
7	Panel assembly—front bulkhead	AFH5472	5	1			
8	Panel—radiator duct	AFH4893	6	1			
9	Box assembly—R/H air duct	AFH1502	7	1			
10	Box assembly—L/H air duct	AFH1503	8	1			
11	Strip—front bulkhead packing	AFH1794	9	1			
12	Tube—air duct	AFH5792	10	2			
13	Panel—front wheelarch detachable (R/H)		11	1	AFH5844	] Com. (C) 594	
14	Panel—front wheelarch detachable (L/H)		12	1	AFH5845		
15	Screw fixing panel		13	14	PJZ1003		
16	Nut for screw		14	14	PFS310		
17	Cover plate—heater aperture	AHH5252	15	1			
18	Gasket—heater sealing	AHH5253	16	2			
19	Screw fixing cover plate	PPZ0310	17	8			
20	Washer for screw (spring)	LWZ203	18	8			
21	Grommet—blanking valve control	4G2541	19	1			
22	Panel—front valance	AFH1896	20	1			
23	Screw fixing panel	AFH2587	21	14			
24	Washer for screw (spring)	LWZ203	22	14			
25	Washer plate—valance to body	AFH2546	23	6			
26	Washer for screw (plain)	PWZ203	24	8			
27	Bracket—bonnet lock safety catch	AFH1767	25	1			
28	Screw fixing bracket	AFH2587	26	2			
29	Washer for screw (plain)	RWZ203	27	2			
30	Washer for screw (spring)	LWZ203	28	2			
31	<b>Panel assembly—bonnet lid</b>	AFH4880	29	1			
32	Safety catch assembly	14A366	30	1			
33	Batten—bonnet lid stiffening	AFH4879	31	1			
34	<b>Wing assembly—front (R/H)</b>	AFH4478	32	1	AFH6618	] Com. (C) 2292	
35	<b>Wing assembly—front (L/H)</b>	AFH4479	33	1	AFH6619		
36	Piping—front wing	AFH1692	34	2			
37	Screw—front wing to body (1")	HPZ0508	35	21			
38	Screw—front wing to body (1¼")	HPZ0510	36	5			
39	Washer plate—front wing fixing	AFH2627	37	22			
40	Washer for screw—small (plain)	PWZ105	38	2			
41	Washer for screw—large (plain)	PWZ205	39	2			
42	Washer for screw (spring)	LWZ205	40	26			
43	Screw—front wing to sill	AFH2587	41	6			
44	Washer for screw (spring)	LWZ203	42	6			
45	Washer plate—wing lower fixing	AFH2546	43	6			

Coupe

SERVICE PARTS LIST

THE MG Series MGA TWIN CAM

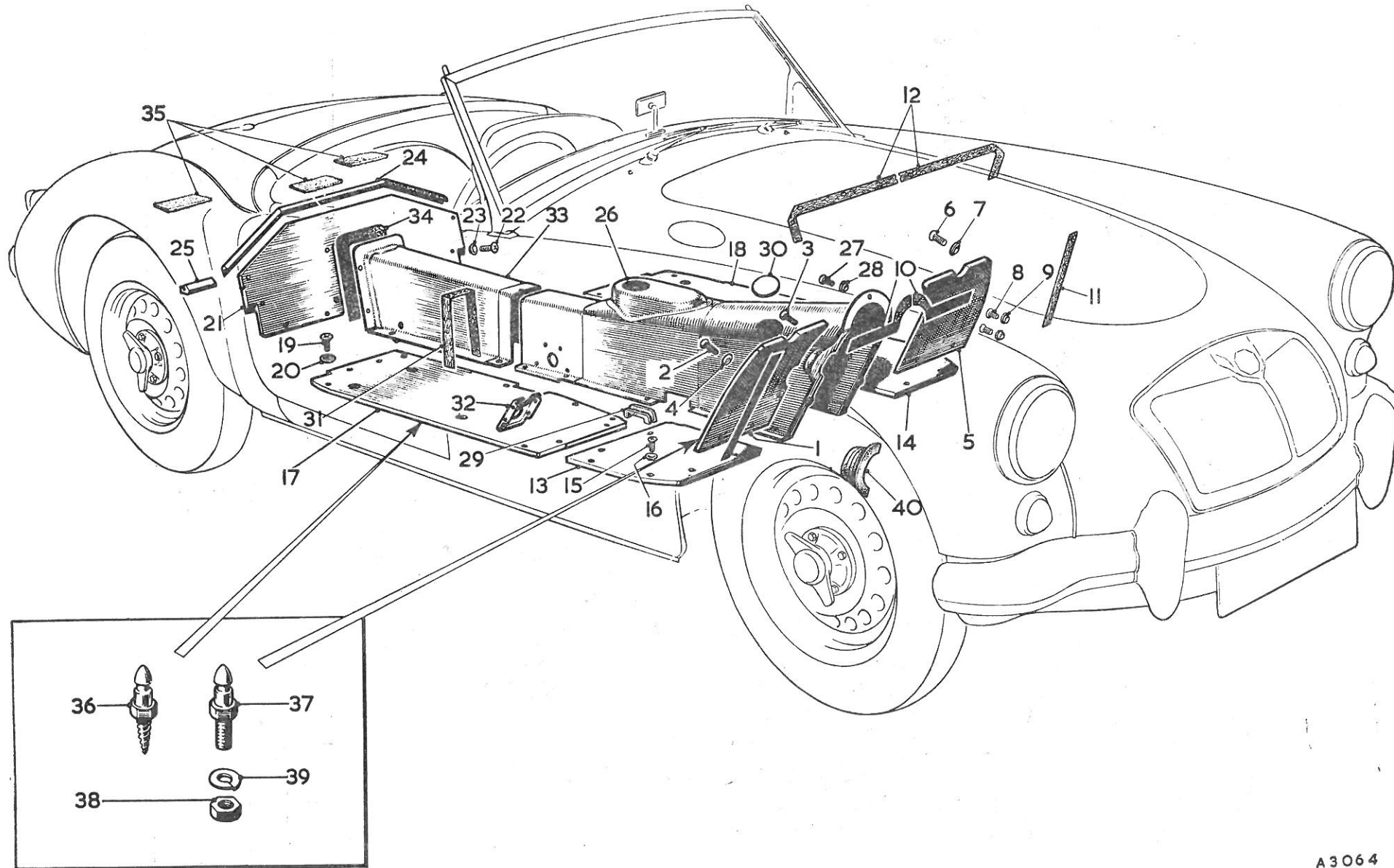
Item No.	DESCRIPTION	Commencing (C) 501		Qty. per Veh.	MODIFICATIONS		REMARKS
		Part Number	Illus. No.		New Part Number	Change Point	
	<b>Body Shell—continued</b>						
1	Screw—wing closing plate to body .....	HPZ0408	44	2			
2	Screw—wing closing plate to body .....	HPZ0406	45	6			
3	Washer for screw (plain) .....	PWZ204	46	8			
4	Washer for screw (spring) .....	LWZ204	47	8			
5	Packing—front wing .....	AFH3840	48	2			
6	Bracket assembly—front wing splash plate .....	AFH1700	49	2			
7	Splash plate—R/H front wing .....	AFH1702	50	1			
8	Splash plate—L/H front wing .....	AFH1703	51	1			
9	Seal—R/H front splash plate (rubber) .....	AFH1710	52	1			
10	Seal—L/H front splash plate (rubber) .....	AFH1711	53	1			
11	Rivet—seal to plate .....	BRP906	54	34			
12	Screw—splash plate to body .....	HPZ0405		12			
13	Washer for screw (plain) .....	PWZ204		12			
14	Washer for screw (spring) .....	LWZ204		12			
15	Screw fixing front splash plate .....	HZS0405		4			
16	Washer for screw (plain) .....	PWZ204		4			
17	Washer for screw (spring) .....	LWZ204		4			
18	Washer plate—splash plate to wing .....	AFH2546		2			
19	Screw—splash plate to wing .....	AFH2587		2			
20	Nut for screw .....	FNZ103		2			
21	Washer for nut (spring) .....	LWZ203		2			
22	Sill Reinforcement and pillar assembly (R/H) .....	AFH3882	65	1			
23	Sill Reinforcement and pillar assembly (L/H) .....	AFH3883	66	1			
24	Shut pillar assembly (R/H) .....	AFH3780		1			
25	Shut pillar assembly (L/H) .....	AFH3781		1			
26	Panel—sill inner (R/H) .....	AFH1656	67	1			
27	Panel—sill inner (L/H) .....	AFH1657	68	1			
28	Plate—sill sealing (R/H) .....	AFH1658	69	1			
29	Plate—sill sealing (L/H) .....	AFH1659	70	1			
30	Panel—sill outer (R/H) .....	AFH2624	71	1			
31	Panel—sill outer (L/H) .....	AFH2625	72	1			
32	Panel—shut pillar facing (R/H) .....	AFH3786	73	1			
33	Panel—shut pillar facing (L/H) .....	AFH3787	74	1			
34	Screw fixing facing panel (side) .....	RPZ0310	75	4			
35	Screw fixing facing panel (bottom) .....	RTZ804	76	4			
36	Pillar reinforcement—windscreen (R/H) .....	AFH4466	77	1			
37	Pillar reinforcement—windscreen (L/H) .....	AFH4467	78	1			
38	Finisher—sill lower .....	AFH3752	79	2			
39	Bolt fixing sill finisher (special) .....	AFH3753	80	10			
40	Nut for bolt .....	FNZ103	81	10			
41	Lockwasher for nut .....	LWZ403	82	10			
42	Washer for nut (plain) .....	PWZ203	83	10			
43	<b>Roof assembly</b> .....	<b>AFH4748</b>		1			
44	Panel assembly—roof .....	AFH4464	84	1			AFH4464 not available Use AFH4748
45	Reinforcement assembly—panel .....	AFH4465	85	1			
46	Dripway—door opening (R/H) .....	AFH4482	86	1			
47	Dripway—door opening (L/H) .....	AFH4483	87	1			
48	Rivet—dripway to roof panel .....	AFH5453	88	52			

Coupe

Item No.	DESCRIPTION	Commencing (C) 501		Qty. per Veh.	MODIFICATIONS		REMARKS
		Part Number	Illus. No.		New Part Number	Change Point	
	<b>Body Shell—continued</b>						
1	Door assembly (R/H) RHD	AFH4806	89	1			
2	Door assembly (L/H) RHD	AFH4807	90	1			
3	Door assembly (R/H) LHD	AFH3884		1			
4	Door assembly (L/H) LHD	AFH3885		1			
5	Hinge—door	AFH5832	91	4			
6	Packing—door hinge	AFH5827	92	4			
7	Plate—tapping	AFH1464	93	4			
8	Screw fixing hinge	CPZ0412	94	32			
9	Washer for screw (plain)	PWZ204	95	16			
10	Washer for screw (spring)	LWZ204	96	16			
11	Nut for screw	FNZ104	97	16			
12	<b>Tonneau assembly</b>	AFH3878		1	AFH6650	Com. (C) 2292	
13	Tonneau sub-assembly	AFH3879		1			
14	Tonneau Panel	AFH3881	98	1			
15	Floor assembly—trunk	AFH1874	99	1	AFH6651	Com. (C) 2292	
16	Dzus spring	7H9828	100	2			
17	Bracket assembly—spare wheel fixing			1	AFH6639		
18	Nut fixing bracket			2	FNZ104	Com. (C) 2292	
19	Washer for nut (plain)			2	PWZ104		
20	Washer for nut (spring)			2	LWZ204		
21	Reinforcement assembly—tonneau	AFH3880	101	1			
22	Panel assembly—rear bulkhead	AFH3820	102	1	AFH6627	Com. (C) 2292	
23	Panel assembly—battery cover	AFH1663	103	1			
24	Dzus fastener	7H9827	104	2			Coupe
25	Screw fixing rear bulkhead panel	PMZ0308	105	2			
26	Nut for screw	FNZ103	106	2			
27	Washer for nut (spring)	LWZ203	107	2			
28	<b>Lid assembly—trunk</b>	AFH5474	108	1			
29	<b>Wing assembly—rear (R/H)</b>	AFH4480	109	1			
30	<b>Wing assembly—rear (L/H)</b>	AFH4481	110	1			
31	Piping—rear wing	AFH1693	111	2			
32	Screw—rear wing to body	HPZ0508	112	22			
33	Washer plate—rear wing fixing	AFH2627	113	20			
34	Washer for screw (plain)	PWZ205	114	2			
35	Washer for screw (spring)	LWZ205	115	22			
36	Screw—rear wing to sill	AFH2587	116	4			
37	Washer for screw (plain)	PWZ203	117	4			
38	Washer for screw (spring)	LWZ203	118	4			
39	Washer plate—wing lower fixing	AFH2546	119	4			
40	Splash plate—rear wing R/H front	AFH4782	120	1			
41	Splash plate—rear wing L/H front	AFH4783	121	1			
42	Seal—splash plate R/H (rubber)	AFH4784	122	1			
43	Seal—splash plate L/H (rubber)	AFH4785	123	1			
44	Rivet—seal to plate	BRP906	124	22			

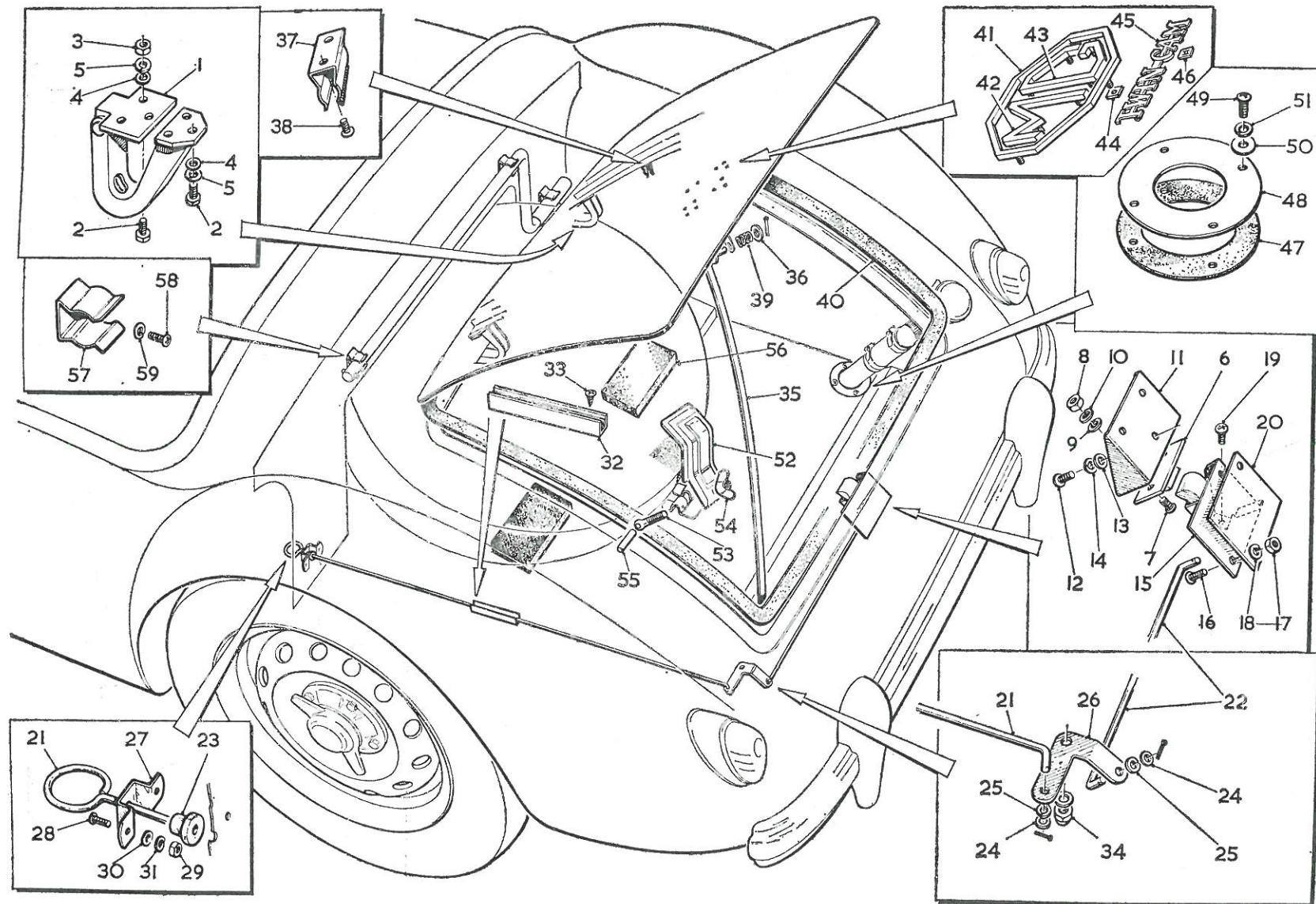


Item No.	DESCRIPTION	Commencing (C) 501		Qty. per Veh.	MODIFICATIONS		REMARKS
		Part Number	Illus. No.		New Part Number	Change Point	
	<b>Body Shell—continued</b>						
1	Screw—lower plate fixing .....	PTZ604	125	4			Coupe
2	Screw—plate to body .....	HZS0405	126	4			
3	Washer for screw (plain) .....	PWZ204	127	4			
4	Washer for screw (plain) .....	PWZ104	128	4			
5	Washer for screw (spring) .....	LWZ204	129	4			
6	Nut for screw .....	FNZ104	130	4			
7	Splash plate assembly—rear wing R/H rear .....	AFH1704	131	1			
8	Splash plate assembly—rear wing L/H rear .....	AFH1705		1			
9	Screw fixing rear splash plate .....	HZS0405	132	8			
10	Washer for screw (plain) .....	PWZ204	133	8			
11	Washer for screw (spring) .....	LWZ204	134	8			



A3064

DESCRIPTION	Commencing (C) 501		Qty. per Veh.	MODIFICATIONS		REMARKS
	Part Number	Illus. No.		New Part Number	Change Point	
<b>FLOORING—RAMPS—PROPELLER SHAFT TUNNEL—GEARBOX COVER</b>						
1 Toeboard (R/H)	AHH5817	1	1			
2 Screw—fixing toeboard R/H (1")	CMZ0416	2	5			
3 Screw—fixing toeboard R/H (1¼")	CMZ0420	3	1			
4 Washer for screw (cup)	ACA5374	4	6			
5 Toeboard (L/H)	AHH5263	5	1			
6 Screw—fixing toeboard L/H (1")	CMZ0416	6	6			
7 Washer for screw (cup)	ACA5374	7	6			
8 Screw—blanking accelerator adjusting stop holes	CMZ0408	8	2			
9 Washer for screw (cup)	ACA5374	9	2			
10 Seal—toeboard—top (felt)	AHH5377	10	2			
11 Seal—toeboard support (felt)	AHH5378	11	2			
12 Seal—toeboard support plate (felt)	AHH5379	12	2			
13 Floorboard—front (R/H)	AHH5208	13	1			
14 Floorboard—front (L/H)	AHH5209	14	1			
15 Screw—fixing floorboard (front)	CMZ0416	15	16			
16 Washer for screw (cup)	ACA5374	16	16			
17 Floorboard (R/H)	AHH5205	17	1			
18 Floorboard (L/H)	AHH5206	18	1			
19 Screw—fixing floorboard (rear)	CMZ0416	19	25			
20 Washer for screw (cup)	ACA5374	20	25			
21 Floorboard (R/H)	AHH5748		1			] For use with De-luxe type Bucket Seats
22 Floorboard (L/H)	AHH5749		1			
23 Screws—fixing floorboard	CMZ0420		16			
24 Ramp (rear)	AHH5207	21	1			
25 Screw—fixing rear ramp	CMZ0416	22	12			
26 Washer for screw (cup)	ACA5374	23	12			
27 Seal—rear ramp centre (rubber)	AHH5455	24	1			
28 Seal—rear ramp outer (rubber)	AHH5456	25	2			
29 Cover assembly—gearbox	AHH5815	26	1			
30 Screw—gearbox cover to toeboard plate	CMZ0412	27	2			
31 Washer for screw (cup)	ACA5374	28	2			
32 Seal—gearbox cover (rubber)	AHH5194	29	2			
33 Grommet—dipstick	ACA5300	30	1			
34 Seal—cover to tunnel (felt)	AHH5340	31	1			
35 Plate—gearbox cover cross brace	AHH5226	32	2			
36 Tunnel—propeller shaft	AHH5199	33	1			
37 Seal—propeller shaft tunnel—rear (felt)	AHH5200	34	1			
38 Packing—rear floor (boot)	AHH5180	35	3			
39 Screw—carpet fixing (front and centre)	94605	36	12			
40 Screw—carpet fixing (toeboard)	183599	37	4			
41 Nut for screw	AJD8012Z	38	4			
42 Washer for nut (spring)	LWZ203	39	4			
43 Cover—starter motor (rubber)	AHH5838	40	1			



A2986

SERVICE PARTS LIST

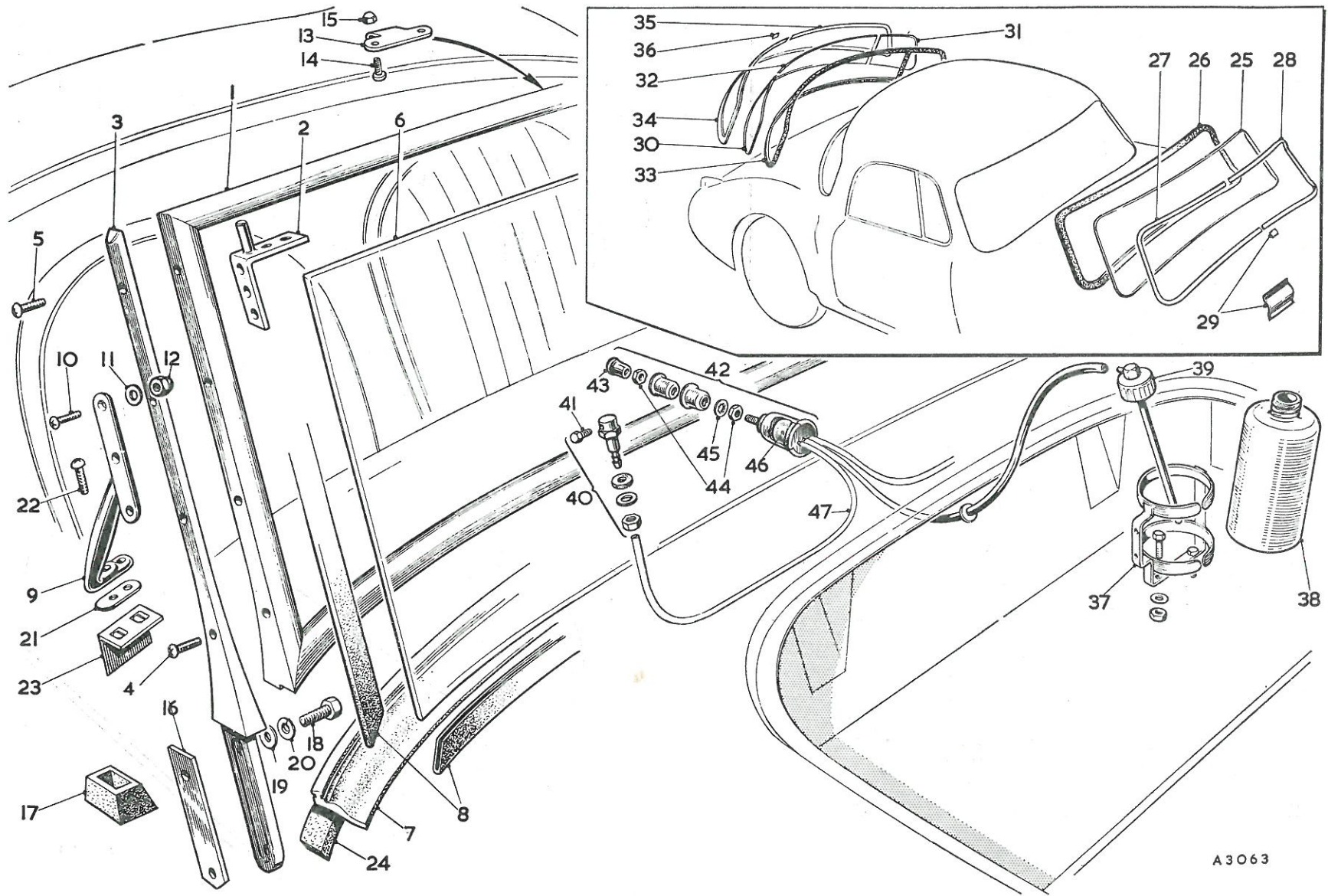
THE MG Series MGA TWIN CAM

Item No.	DESCRIPTION	Commencing (C) 501		MODIFICATIONS		REMARKS
		Part Number	Illus. No.	Qty. per Veh.	New Part Number	
	<b>BOOT, LID, AND FITTINGS</b>					
1	Hinge—boot lid (R/H)	AFH1515	1	1		
2	Hinge—boot lid (L/H)	AFH1514		1		
3	Screw—fixing hinge	AFH2587	2	12		
4	Nut for screw	FNZ103	3	2		
5	Washer for screw (plain)	PWZ203	4	12		
6	Washer for screw (spring)	LWZ203	5	12		
7	Plate—boot lid striking	AFH1516	6	1		
8	Screw—fixing plate	CMZ0310	7	2		
9	Nut for screw	FNZ103	8	2		
10	Washer for nut (plain)	PWZ203	9	2		
11	Washer for nut (spring)	LWZ203	10	2		
12	Bracket—striking plate	AFH1578	11	1		
13	Screw fixing bracket	AFH2587	12	3		
14	Washer for screw (plain)	PWZ203	13	3		
15	Washer for screw (spring)	LWZ203	14	3		
16	<b>Lock assembly—boot lid</b>	<b>AFH1519</b>	<b>15</b>	<b>1</b>		
17	Screw fixing lock	PMZ0308	16	2		
18	Nut for screw	FNZ103	17	2		
19	Washer for nut (spring)	LWZ203	18	2		
20	Screw—fixing lock	PTZ603	19	1		
21	Packing—lock support bracket	AFH2622	20	1		
22	Rod—boot lock release (front)	AFH1758	21	1		
23	Rod—boot lock release (rear)	AFH1759	22	1		
24	Grommet—release rod	133221	23	1		
25	Washer for release rod (plain)	PWZ203	24	3		
26	Washer for release rod (spring)	128900	25	3		
27	Lever—boot lock actuating	AFH1747	26	1		
28	Plate—release rod guide	133222	27	1		
29	Screw—fixing guide plate	PMZ0208	28	2		
30	Nut for screw	CNZ102	29	2		
31	Washer for nut (plain)	PWZ202	30	2		
32	Washer for nut (spring)	LWZ202	31	2		
33	Channel—release rod retaining	AFH1789	32	1		
34	Screw—fixing channel	CTZ403	33	2		
35	Nut—actuating lever pivot	LNZ104	34	1		
36	Rod—boot lid support	AFH1756	35	1		
37	Washer for support rod (plain)	PWZ105	36	1		
38	Clip—boot lid support rod	128978	37	1		
39	Screw—fixing clip	PTZ603	38	1		
40	Spring—boot lid support rod	139282	39	1		
41	Rubber—boot lid sealing	AFH1753	40	1		

SERVICE PARTS LIST

THE MG Series MGA TWIN CAM

Item No.	DESCRIPTION	Commencing (C) 501		Qty. per Veh.	MODIFICATIONS		REMARKS
		Part Number	Illus. No.		New Part Number	Change Point	
	<b>Boot, Lid, and Fittings—continued</b>						
1	Surround—boot lid badge	AHH5261	41	1			
2	Letter "M"	ADH2475	42	1			
3	Letter "G"	ADH2476	43	1			
4	Spire nut—surround and badge	PFS103	44	13			
5	Motif—"Twin Cam"	AHH5729	45	1			
6	Spire nut—motif	PFS104	46	2			
7	Seal—petrol filler	AHH5260	47	1			
8	Plate—petrol filler seal cover	AHH5259	48	1			
9	Screw—fixing seal and plate	PMZ0308	49	3			
10	Washer for screw (special)	AJD7212	50	3			
11	Washer for screw (spring)	LWZ203	51	3			
12	Clamp—spare wheel	H7336	52	1			
13	Bolt—spare wheel clamp	AHH5349	53	1			
14	Nut for bolt—wing	AHH5351	54	1			
15	Pin—spare wheel fixing cross	AHH5350	55	1			
16	Packing—spare wheel (felt)	AHH5459	56	2			
17	Clip—starting handle	ADB4825	57	3			
18	Screw—fixing clip	PPZ0305	58	3			Part No. change was 5843
19	Screw—fixing clip	PMZ0305	59	3			] Alternatives
20	Washer for screw (spring)	LWZ203	60	3			



A3063

SERVICE PARTS LIST

THE MG Series MGA TWIN CAM

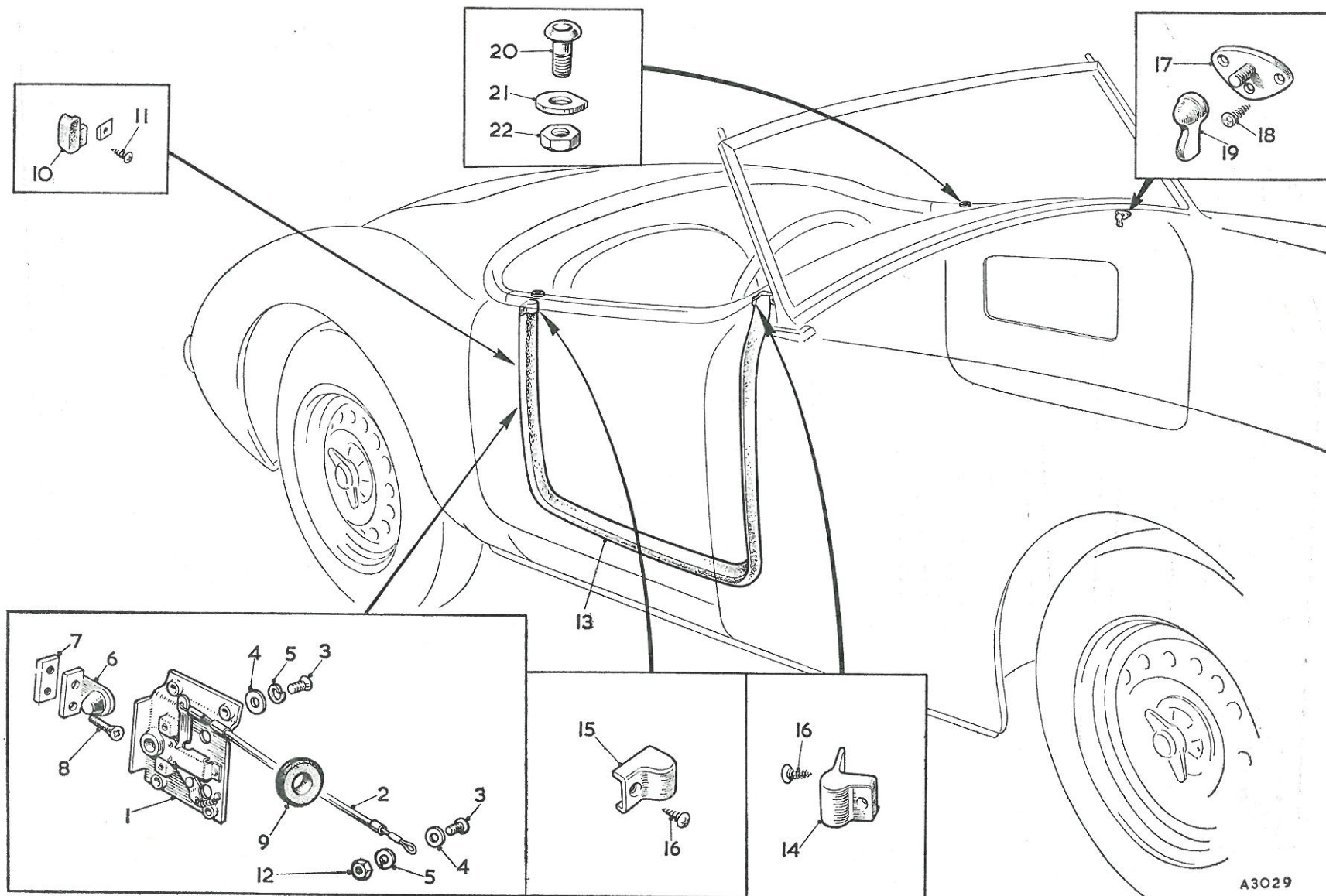
Item No.	DESCRIPTION	Commencing (C) 501		Qty. per Veh.	MODIFICATIONS		REMARKS
		Part Number	Illus. No.		New Part Number	Change Point	
	<b>WINDSCREEN</b>						
1	Windscreen assembly	AFH1716		1	AFH6768	] Com. (C) 2193	AFH1716 not available use AFH6768 together with AFH6772 (hood catch) and PTP606 (screw)
2	Frame	AFH1717	1	1	AFH6769		
3	Peg—wood attachment (R/H)	AFH2630	2	1			
4	Peg—hoop attachment (R/H)	AFH2631		1			
5	Stanchion (R/H)	AFH1718	3	1			
6	Stanchion (L/H)	AFH1719		1			
7	Screw fixing stanchion (long)	RMP0312	4	2			
8	Screw fixing stanchion (short)	RMP0310	5	6			
9	Glass—windscreen	AFH1720	6	1			
10	Apron (rubber)	AFH1721	7	1			
11	Rubber—glazing	AFH1724	8	1			
12	Handle—grab (R/H)	AFH1722	9	1			
13	Handle—grab (L/H)	AFH1723		1			
14	Screw fixing handle	CMP0307	10	6			
15	Washer for screw (plain)	PWZ203	11	6			
16	Nut for screw (dome)	AFH2809	12	6	AFH6773	] Com. (C) 2193	
17	Catch—hood centre		13	1	AFH5457		
18	Screw fixing catch		14	2	AFH5458		Fit as required
19	Nut for screw (domed)		15	2			
20	Packing—stanchion (fibre)	AFH2547	16	4			
21	Grommet—stanchion to body	AFH1726	17	2			
22	Bolt—stanchion to body	HBZ0610	18	4			
23	Washer for screw (plain)	PWZ106	19	4			
24	Washer for screw (spring)	LWZ206	20	4			
25	Packing—grab handle	AFH1687	21	2			Quantity reduced (C) 2193
26	Screw—grab handle to body (3/4")	RPP0312	22	4/2	RPP0316	Com. (C) 2193	
27	Screw—grab handle to body (1")			2			
28	Reinforcement assembly—grab handle	AFH1787	23	2			
29	Packing—windscreen	AFH2868	24	2			
30	Glass—windscreen	AFH3830	25	1			
31	Rubber—windscreen surround	AFH3831	26	1			
32	Finisher—windscreen surround (R/H)	AFH3832	27	1			
33	Finisher—windscreen surround (L.H.)	AFH3833	28	1			
34	Jointing piece—windscreen Finisher	AFH3778	29	2			
	<b>BACKLIGHT</b>						
35	Glass—backlight side (R/H)	AFH3834	30	1			
36	Glass—backlight side (L/H)	AFH3835	31	1			
37	Glass—backlight centre	AFH3836	32	1			
38	Rubber—backlight surround	AFH3837	33	1			
39	Finisher—backlight surround (R/H)	AFH3838	34	1			
40	Finisher—backlight surround (L/H)	AFH3839	35	1			
41	Jointing piece—backlight finisher	AFH3778	36	2			



SERVICE PARTS LIST

THE MG Series MGA TWIN CAM

Item No.	DESCRIPTION	Commencing (C) 501		Qty. per Veh.	MODIFICATIONS		REMARKS
		Part Number	Illus. No.		New Part Number	Change Point	
	<b>WINDSCREEN WASHER</b> <b>(Optional extra)</b>						
1	Windscreen washer kit .....	AHH5798		1	AHH5983	Com. (C) 2545	
2	Bracket .....	7H9781	37	1			
3	Container—20 oz. ....	7H9779	38	1		Fin. (C) 2544	
4	Cap assembly .....	7H9785	39	1			Small cap } 7H9779 and 7H9785 no longer available use 13H227 with 37H9716
5	Container—20 oz. ....	13H227		1			
6	Cap assembly .....	37H9716		1			Large cap }
7	Jet mounting assembly .....	27H9622	40	2			
8	Jet .....	27H9623	41	2			
9	Control assembly .....	27H9654	42	1	37H9730	Com. (C) 2545	27H9654 not available use 37H9730
10	Knob .....	27H9625	43	1			
11	Back nut .....	27H9655	44	2			
12	Washer (shakeproof) .....	7H9782	45	1			
13	Bulb (rubber) .....	27H9626	46	1	27H9824	Com. (C) 2545	
14	Tubing .....	37H9708	47	A/R			

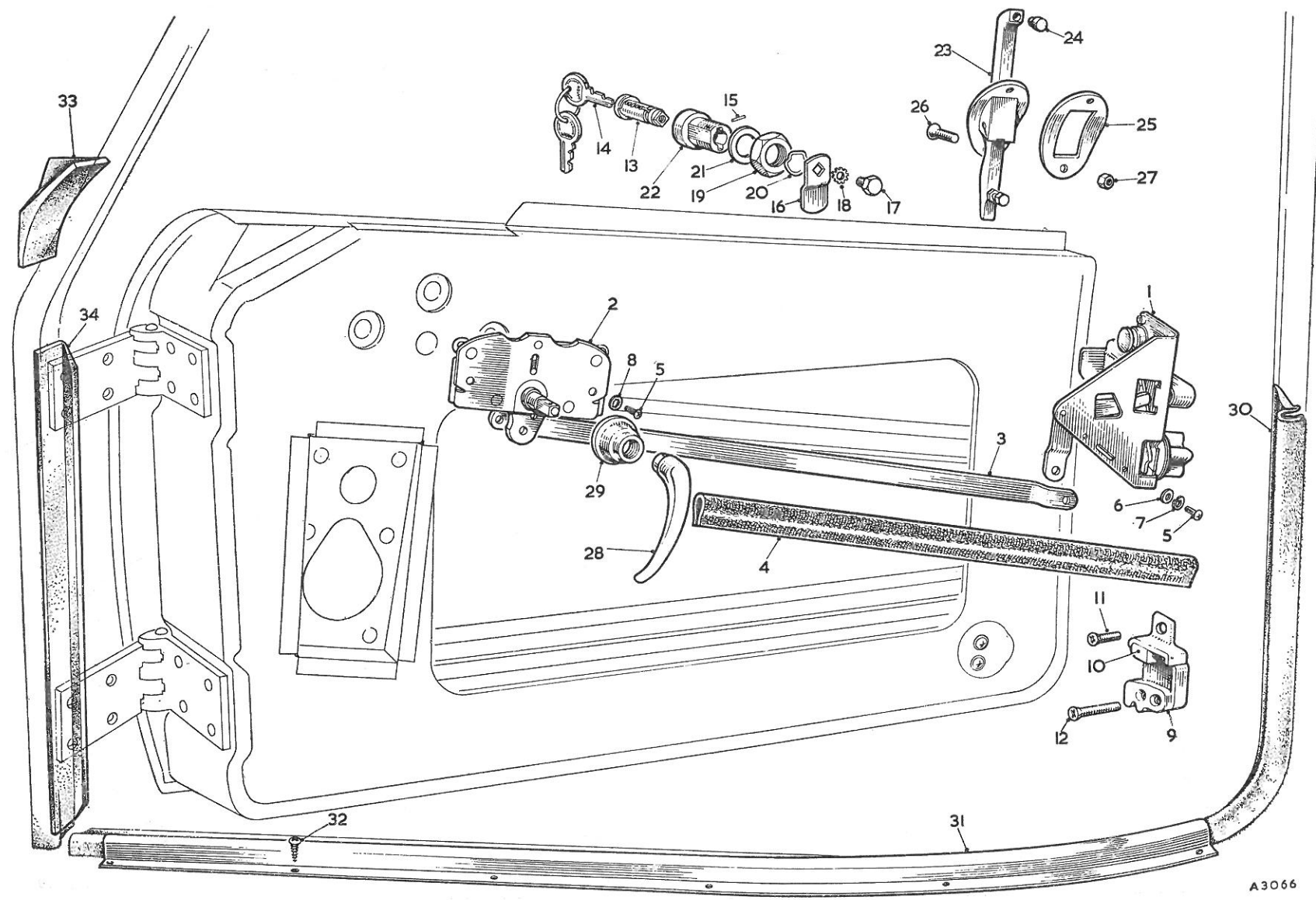


A3029

SERVICE PARTS LIST

THE MG Series MGA TWIN CAM

Item No.	DESCRIPTION	Commencing (C) 501		Qty. per Veh.	MODIFICATIONS		REMARKS
		Part Number	Illus. No.		New Part Number	Change Point	
	<b>DOOR FITTINGS</b>						
1	Lock assembly—door (R/H)	AFH1682	1	1			Tourer
2	Lock assembly—door (L/H)	AFH1683	1	1			
3	Cable—operating	7H9958	2	2			
4	Screw—fixing lock	PMZ0308	3	10			
5	Washer for screw (plain)	PWZ203	4	10			
6	Washer for screw (spring)	LWZ203	5	10			
7	Plate—striking	AFH1684	6	2			
8	Plate—striker tapping	AFH1685	7	2			
9	Screw—fixing striker	CMZ0412	8	4			
10	Grommet—door lock release (rubber)	RFN110	9	2			
11	Buffer assembly—door	MB19556	10	4			
12	Screw—fixing buffer	AJD22452P	11	4			
13	Nut—door lock cable	FNZ103	12	2			
14	Rubber and clip assembly—door sealing—Red	AFH2451	13	2			
15	Rubber and clip assembly—door sealing—Black	AFH2455	2	2			
16	Rubber and clip assembly—door sealing—Green	AFH2452	2	2	Fin. (C) 2192		
17	Rubber and clip assembly—door sealing—Grey	AFH2453	2	2			
18	Finisher—hinge pillar—door seal (R/H)	AFH2574	14	1			
19	Finisher—hinge pillar—door seal (L/H)	AFH2575	1	1			
20	Finisher—shut pillar—door seal (R/H)	AFH2576	15	1			
21	Finisher—shut pillar—door seal (L/H)	AFH2577	1	1			
22	Screw—fixing finisher	RTP605	16	8			
23	Stud—fixing sidescreen	MB21959	17	2			
24	Screw—fixing sidescreen stud	RTP805	18	6			
25	Handle—sidescreen locking	MB19331	19	2		Fin. (C) 2192	
26	Knob—sidescreen locking (knurled)		2	2	AFH6620	Com. (C) 2193	
27	Socket—sidescreen peg	AFH1744	20	2			
28	Washer—sidescreen peg socket (special)	AFH2579	21	2			
29	Nut—sidescreen peg socket	FNZ208	22	2			



A3066

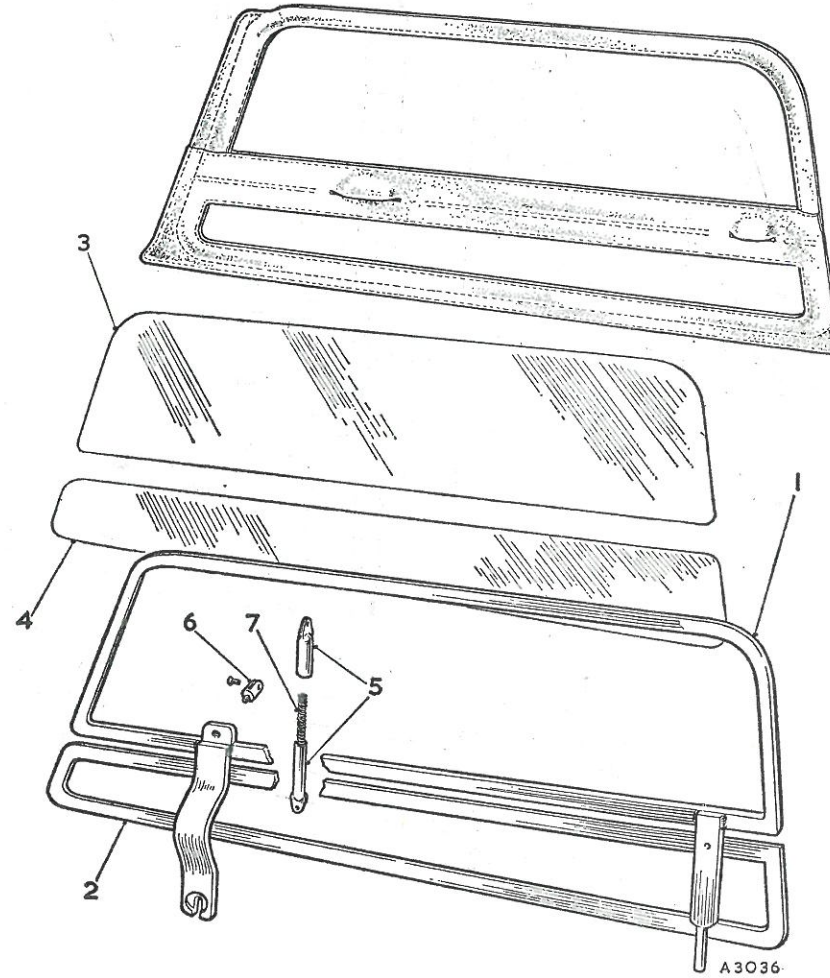
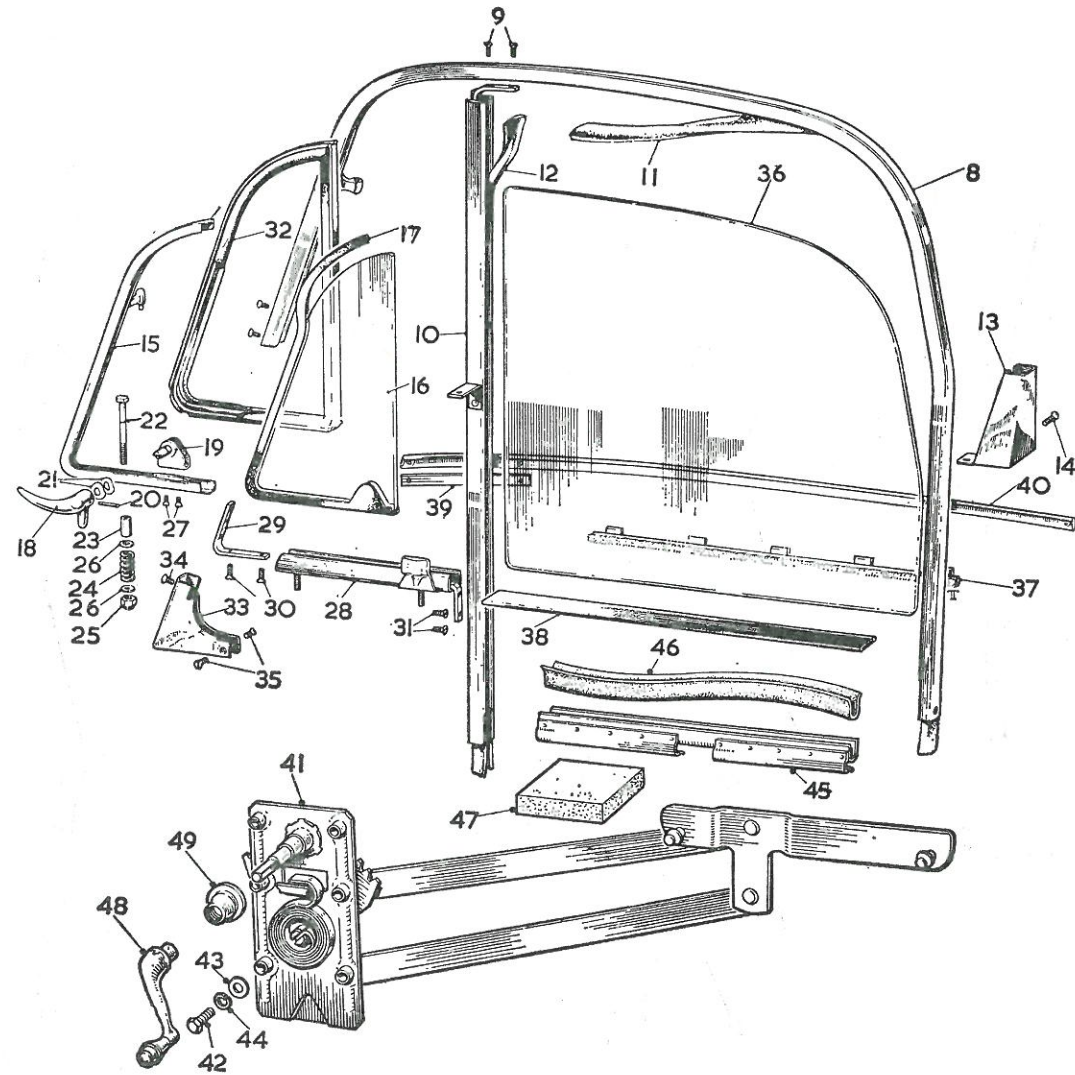
SERVICE PARTS LIST

THE MG Series MGA TWIN CAM

Item No.	DESCRIPTION	Commencing (C) 501		Qty. per Veh.	MODIFICATIONS		REMARKS
		Part Number	Illus. No.		New Part Number	Change Point	
	Door fittings— <i>continued</i>						
1	Lock assembly—door (R/H)	AFH3894		1			
2	Lock assembly—door (L/H)	AFH3895		1			
3	Lock (R/H)	17H9736	1	1			
4	Lock (L/H)	17H9737		1			
5	Remote control mechanism (R/H)	17H9738	2	1			
6	Remote control mechanism (L/H)	17H9739		1			
7	Link—connecting	17H9740	3	2			
8	Sleeve—anti-rattle	17H9735	4	2			
9	Washer (rubber)	17H9742		4			
10	Rivet	17H9743		4			
11	Screw—fixing lock	PPZ0306	5	14			
12	Washer for screw (plain)	PWZ203	6	6			
13	Washer for screw (spring)	LWZ203	9	6			
14	Washer for screw (shakeproof)	LWZ403	8	8			
15	Plate—striker (R/H)	AFH3896	9	1			Part No. change was AJD7623
16	Plate—striker (L/H)	AFH3897		1			
17	Plate—striker tapping	AFH3792	10	2			
18	Screw—fixing striker (3/8")	CPZ0412	11	2			
19	Screw—fixing striker (1 1/4")	CPZ0420	12	4			
20	Lock assembly—private	AFH3893		1			
21	Lock with keys (cylinder)	24G1346	13	1			Part No. change was 17H9745
22	Key	ANK4646	14	2			
23	Peg—retaining	17H9930	15	1			
24	Latch	17H9744	16	1			
25	Bolt—latch	AKC453	17	1			
26	Washer for bolt	17H9741	18	1			
27	Locknut	AKC455	19	1			
28	Washer (waved)	AKC454	20	1			
29	Washer—seating	AKC451	21	1			
30	Housing—lock	AKC458	22	1			
31	Handle—door	AFH3796	23	2			
32	Insert—door handle (rubber)	17H9989	24	2			
33	Washer—seating	AFH4513	25	2			
34	Screw—fixing handle	RMP0308	26	4			
35	Nut for screw	LNZ203	27	4			
36	Handle—remote control	ADH5482	28	2			
37	Escutcheon assembly—handle	ADB709	29	2			
38	Rubber and clip assembly—door sealing—Red	AFH4562	30	2			
39	Rubber and clip assembly—door sealing—Black	AFH4565		2			
40	Rubber and clip assembly—door sealing—Green	AFH4563		2			
41	Rubber and clip assembly—door sealing—Grey	AFH4564		2			
42	Retainer—door sealing rubber (R/H)	AFH2722	31	1			
43	Retainer—door sealing rubber (L/H)	AFH2723		1			
44	Screw—fixing retainer	AJD8172	32	12			
45	Pad—sealing—'A' post (R/H)	AFH4822	33	1			
46	Pad—sealing—'A' post (L/H)	AFH4823		1			
47	Sealing rubber—door hinge pillar	AFH4819	34	2			

Coupe

Fin. (C) 2291



A3036

SERVICE PARTS LIST

THE MG Series MGA TWIN CAM

Item No.	DESCRIPTION	Commencing (C) 501		Qty. per Veh.	MODIFICATIONS		REMARKS	
		Part Number	Illus. No.		New Part Number	Change Point		
	<b>WINDOWS</b>							
1	Sidescreen assembly—R/H—Black	<b>AKE1764</b>		1				
2	Sidescreen assembly—R/H—Ice Blue	<b>AKE1765</b>		1				
3	Sidescreen assembly—L/H—Black	AKE1766		1				
4	Sidescreen assembly—L/H—Ice Blue	AKE1767		1				
5	Frame assembly—R/H	AFH2660	1	1	Fin. (C) 2192			
6	Frame assembly—L/H	AFH2661		1				
7	Frame—signalling flap	AFH2662	2	2				
8	Panel—sidescreen	AFH2663	3	2				
9	Panel—signalling flap	AFH2664	4	2				
10	Closing device—flap	AFH2666	5	2				
11	Fork end	AFH2677	6	1				
12	Spring	AFH2680	7	1				
13	Sidescreen assembly—R/H—Grey			1		Com. (C) 2193	AFH6612 not available use AFH6896 AFH6798 not available use AFH6898 AFH6800 not available use AFH7450 AFH6613 not available use AFH6897 AFH6799 not available use AFH6899 AFH6801 not available use AFH7451	
14	Sidescreen assembly—R/H—Beige			1				
15	Sidescreen assembly—R/H—Blue			1				
16	Sidescreen assembly—L/H—Grey			1				
17	Sidescreen assembly—L/H—Beige			1				
18	Sidescreen assembly—L/H—Blue			1				
19	Sleeve—sidescreen front clip (rubber)			2				
20	Clip—sidescreen front			2				
21	Rivet—pop			4				
22	Frame and ventilator assembly (R/H)	<b>AFH3802</b>		1				
23	Frame and ventilator assembly (L/H)	<b>AFH3803</b>		1				
24	Channel assembly—R/H—surround	AFH4858	8	1				
25	Channel assembly—L/H—surround	AFH4859		1				
26	Screw fixing channel	RMP0204	9	4				
27	Channel assembly—R/H—vertical	AFH4860	10	1				
28	Channel assembly—L/H—vertical	AFH4861		1				
29	Strip—surround channel (felt)	AFH4862	11	2				
30	Strip—surround channel (felt)	AFH4863	12	2				
31	Blending piece—rear—(R/H)	AFH4864	13	1				
32	Blending piece—rear—(L/H)	AFH4865		1				
33	Screw fixing blending piece	17H9935	14	2				

Tourer

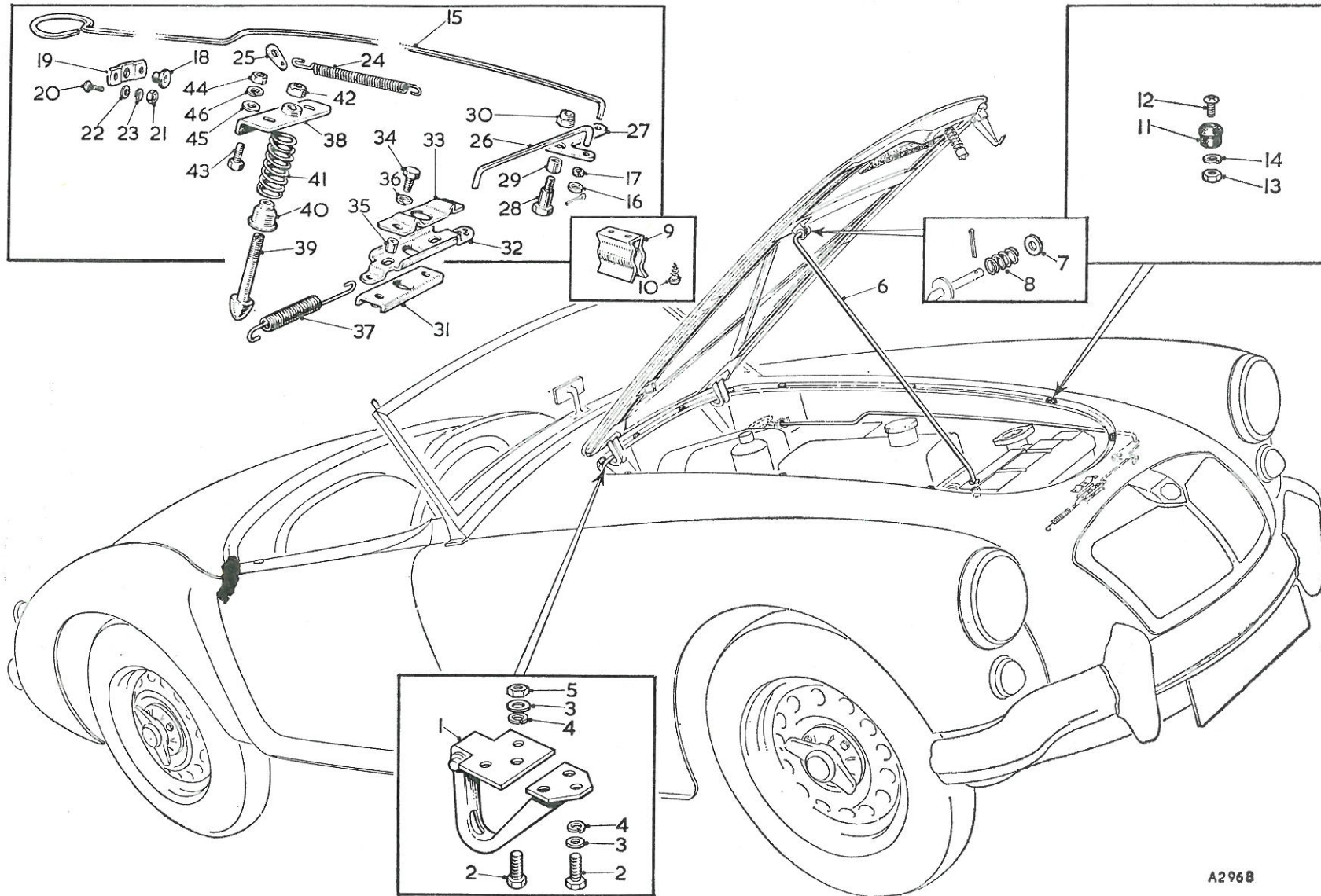
Coupe

SERVICE PARTS LIST

THE MG Series MGA TWIN CAM

Item No.	DESCRIPTION	Commencing (C) 501		Qty. per Veh.	MODIFICATIONS		REMARKS
		Part Number	Illus. No.		New Part Number	Change Point	
	<b>Windows—continued</b>						
1	Ventilator assembly (R/H)	AFH4848		1			Coupe
2	Ventilator assembly (L/H)	AFH4849		1			
3	Frame assembly (R/H)	AFH4872	15	1			
4	Frame assembly (L/H)	AFH4873		1			
5	Glass	AFH4847	16	2			
6	Strip—glazing	AFH4874	17	2			
7	Handle—locking (R/H)	AFH6532	18	1			
8	Handle—locking (L/H)	AFH6533		1			
9	Bracket for locking handle	AFH6531	19	2			
10	Pin—locking handle	AFH6534	20	2			
11	Washer—locking handle (waved)	AFH4875	21	4			
12	Bolt—vent pivot	AFH4876	22	2			
13	Sleeve—bolt	AFH4877	23	2			
14	Spring bolt	AFH4878	24	2			
15	Nut for bolt	<del>LNZ264</del>	25	2	2K3975	Part number correction	
16	Washer for nut (plain)	PWZ204	26	4			
17	Screw fixing bracket	CMP0204	27	4			
18	Channel assembly—R/H—bottom	AFH4866	28	1			
19	Channel assembly—L/H—bottom	AFH4867		1			
20	Bracket corner front	AFH4868	29	2			
21	Screw fixing bracket—front	CMZ0204	30	8			
22	Screw fixing bracket—rear	CMZ0204	31	4			
23	Rubber surround (R/H)	AFH4870	32	1			
24	Rubber surround (L/H)	AFH4871		1			
25	Blending piece—front	AFH4869	33	2			
26	Screw fixing blending piece	17H9934	34	2			
27	Screw fixing blending piece	17H9935	35	4			
28	<b>Glass—door</b>	AFH4453	36	2			
29	Weatherstrip—window frame	AFH4455	37	2			
30	Weatherstrip—garnish rail	AFH4456	38	2			
31	Packing—weatherstrip finisher	AFH4569	39	2			
32	Finisher—weatherstrip (R/H)	AFH4458	40	1			
33	Finisher—weatherstrip (L/H)	AFH4459		1			
34	<b>Regulator assembly (R/H)</b>	AFH3898	41	1			
35	<b>Regulator assembly (L/H)</b>	AFH3899		1			
36	Screw fixing regulator	HZS0404	42	12			
37	Washer for screw (plain)	PWZ204	43	12			
38	Washer for screw (spring)	LWZ204	44	12			
39	Channel—glass lower	AFH3900	45	2			
40	Strip—glazing	AFH4454	46	2			
41	Buffer—door glass stop (rubber)	AFH4568	47	2			
42	<b>Handle—window regulator</b>	ADH5481	48	2			
43	Escutcheon assembly—handle	ADB709	49	2			





A2968

SERVICE PARTS LIST

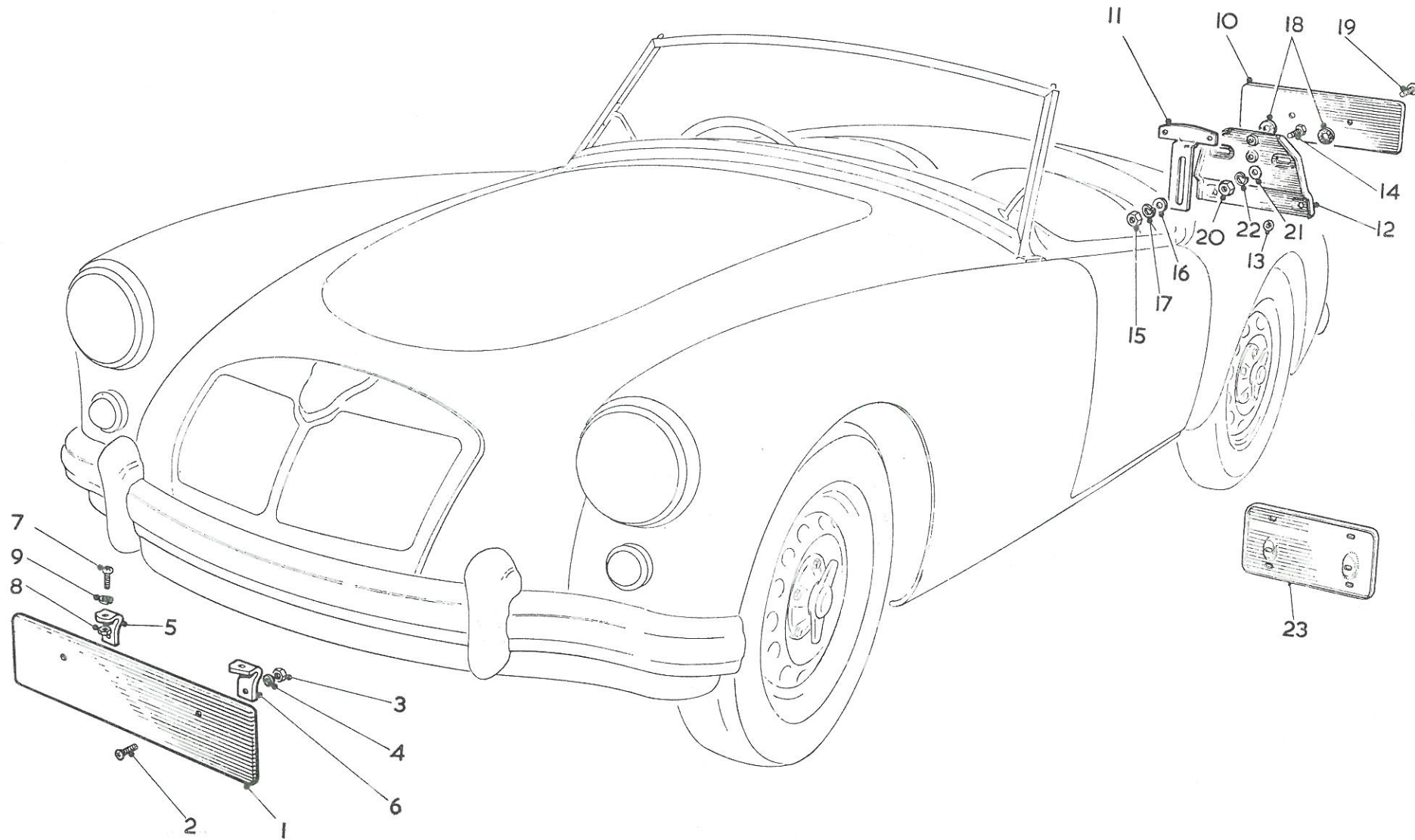
THE MG Series MGA TWIN CAM

Item No.	DESCRIPTION	Commencing (C) 501		Qty. per Veh.	MODIFICATIONS		REMARKS
		Part Number	Illus. No.		New Part Number	Change Point	
	<b>BONNET FITTINGS</b>						
1	Hinge—bonnet (R/H)	AFH1514	1	1			
2	Hinge—bonnet (L/H)	AFH1515	1	1			
3	Screw fixing hinge	AFH2587	2	12			
4	Washer for screw (plain)	PWZ203	3	12			
5	Washer for screw (spring)	LWZ203	4	12			
6	Nut for screw	FNZ103	5	2			
7	Rod—bonnet support	AFH1755	6	1			
8	Washer for rod (plain)	PWZ105	7	1			
9	Spring for rod	139282	8	1			
10	Clip for rod	AHH5460	9	1			
11	Screw fixing clip	PTZ803	10	2			
12	Buffer—bonnet	271601	11	10			
13	Screw fixing buffer	PMZ0208	12	10			
14	Nut for screw	CNZ102	13	10			
15	Washer for nut (spring)	LWZ202	14	10			
16	<b>Rod—bonnet catch control</b>	<b>AFH1757</b>	<b>15</b>	<b>1</b>			
17	Washer for rod (plain)	PWZ203	16	3			
18	Washer for rod (spring)	128900	17	3			
19	Grommet—dash panel	133221	18	1			
20	Plate—grommet retaining	133222	19	1			
21	Screw fixing plate	PMZ0208	20	2			
22	Nut for screw	CNZ102	21	2			
23	Washer for nut (plain)	PWZ202	22	2			
24	Washer for nut (spring)	LWZ202	23	2			
25	Spring—anti-rattle	95219	24	1			
26	Plate—spring tension	ADA2463	25	1			
27	<b>Rod—lever to slider control</b>	<b>133213</b>	<b>26</b>	<b>1</b>			
28	Lever—control rod	AFH1654	27	1			
29	Bolt—lever pivot	AFH1655	28	1			
30	Distance tube for bolt	AFH1675	29	1			
31	Nut for bolt	LNZ103	30	1			
32	Support assembly—slider	ADH456	31	1			
33	Slider—bonnet catch	ADA461	32	1			
34	Plate—guide	ADA463	33	1			
35	Bolt fixing bonnet catch	HBZ0408	34	2			
36	Distance tube for bolt	ADA464	35	2			
37	Washer for bolt (spring)	LWZ204	36	2			
38	Spring—tension	ADA466	37	1			

SERVICE PARTS LIST

THE MG Series MGA TWIN CAM

Item No.	DESCRIPTION	Commencing (C) 501		Qty. per Veh.	MODIFICATIONS		REMARKS
		Part Number	Illus. No.		New Part Number	Change Point	
1	Bonnet fittings— <i>continued</i>						
2	Pin assembly—striker	AFH1739		1			
3	Bracket	ADH4869	38	1			
4	Pin	ADC2781	39	1	14A6586		ADC2781 not available use 14A6586
5	Cup—spring retaining	ADA458	40	1			
6	Spring	14B2846	41	1			
7	Nut	FNZ206	42	1			
8	Screw fixing pin	HZS0405	43	2			
9	Nut for screw	FNZ104	44	2			
10	Washer for nut (plain)	PWZ204	45	2			
	Washer for nut (spring)	LWZ204	46	2			

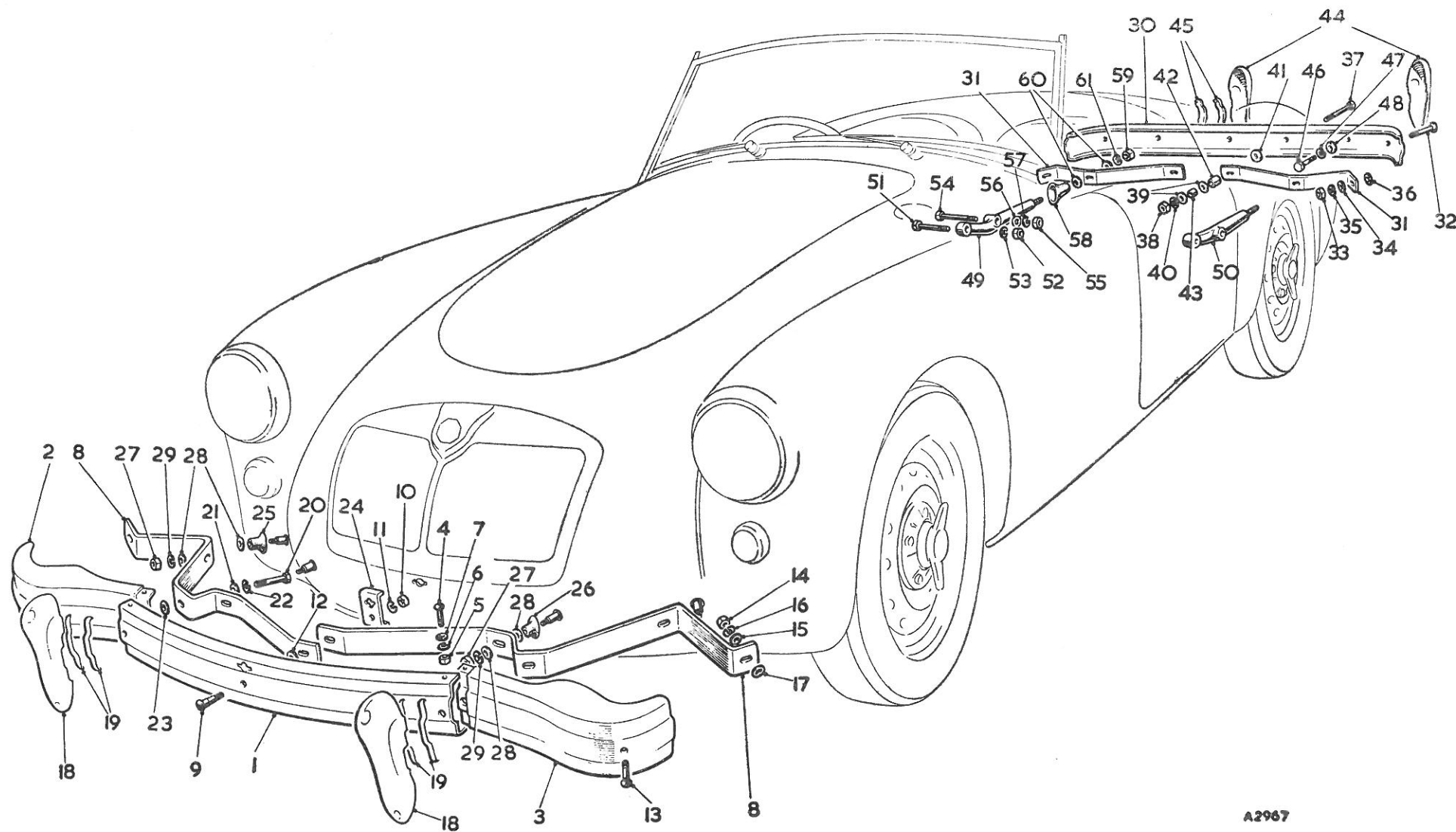


A2989

SERVICE PARTS LIST

THE MG Series MGA TWIN CAM

Item No.	DESCRIPTION	Commencing (C) 501		Qty. per Veh.	MODIFICATIONS		REMARKS
		Part Number	Illus. No.		New Part Number	Change Point	
	<b>NUMBER PLATES AND FITTINGS</b>						
1	Plate—number (front) .....	ACH5835	1	1			
2	Screw—number plate to bracket .....	PMZ0410	2	2			
3	Nut for screw.....	FNZ104	3	2			
4	Washer for nut (spring) .....	LWZ204	4	2			
5	Bracket for number plate (R/H) .....	AHH5161	5	1			
6	Bracket for number plate (L/H).....	AHH5162	6	1			
7	Screw—bracket to bumper .....	PMZ0408	7	2			
8	Nut for screw.....	FNZ104	8	2			
9	Washer for nut (spring) .....	LWZ204	9	2			
10	Plate—number (rear) .....	ADG474	10	1			
11	Bracket—lamp .....	136271	11	1			
12	Bracket—number plate mounting .....	AHH5151	12	1			
13	Washer—number plate (rubber).....	500946	13	4			
14	Screw—lamp bracket to mounting bracket .....	HZS0505	14	2			
15	Locknut for screw .....	FNZ205	15	2			
16	Washer for locknut (plain) .....	PWZ105	16	2			
17	Washer for locknut (spring) .....	LWZ205	17	2			
18	Washer—number plate to bracket (packing) .....	AHH5712	18	2			
19	Screw—number plate to bracket .....	PMZ0410	19	2			
20	Nut for screw.....	FNZ104	20	2			
21	Washer for nut (plain) .....	PWZ104	21	2			
22	Washer for nut (spring) .....	LWZ204	22	2			
23	Support—number plate (N. America) .....	LHD AHA5211	23	1			



A2967

SERVICE PARTS LIST

THE MG Series MGA TWIN CAM

Item No.	DESCRIPTION	Commencing (C) 501		Qty. per Veh.	MODIFICATIONS		REMARKS
		Part Number	Illus. No.		New Part Number	Change Point	
	<b>BUMPERS AND FITTINGS</b>						
1	Bumper assembly (front)	N.S.P.		1			
2	Bar—centre	AHH5474	1	1			
3	Bar—corner (R/H)	AHH5486	2	1			
4	Bar—corner (L/H)	AHH5487	3	1			
5	Bolt—corner bar to centre bar	IG9840	4	2			Part No. change was AHH5491
6	Nut for bolt	FNZ105	5	2			
7	Washer for nut (spring)	LWZ205	6	2			
8	Washer for nut (special)	AHH5492	7	2			
9	Spring bar	AHH5476	8	2			
10	Bolt—spring bar to centre bar	AHH5479	9	1			
11	Nut for bolt	FNZ106	10	1			
12	Washer for nut (spring)	LWZ206	11	1			
13	Washer for nut (special)	AHH5494	12	1			
14	Bolt—spring bar to corner bar	IG9872	13	2			Part No. change was AHH5480
15	Nut for bolt	FNZ106	14	2			
16	Washer for nut (plain)	PWZ106	15	2			
17	Washer for nut (spring)	LWZ206	16	2			
18	Washer for nut (special)	AHH5494	17	2			
19	<b>Over-rider assembly</b>	<b>AHH5478</b>	<b>18</b>	<b>2</b>			
20	Moulding (P.V.C.)	AHH5488	19	4			
21	Bolt—over-rider to bumper bar	HBZ0620	20	2			
22	Washer for bolt (plain)	PWZ106	21	2			
23	Washer for bolt (spring)	LWZ206	22	2			
24	Washer for bolt (special)	AHH5494	23	2			
25	Bracket—starting handle	AHH5477	24	1			
26	Grommet for outer stud	AHH5163	25	2			
27	Grommet for inner stud	AHH5164	26	2			
28	Nut—spring bar to stud	FNZ108	27	4			
29	Washer for nut (plain)	PWZ208	28	8			
30	Washer for nut (spring)	LWZ208	29	4			

SERVICE PARTS LIST

THE MG Series MGA TWIN CAM

Item No.	DESCRIPTION	Commencing (C) 501		Qty. per Veh.	MODIFICATIONS		REMARKS
		Part Number	Illus. No.		New Part Number	Change Point	
	<b>Bumpers and Fittings—continued</b>						
1	<b>Bumper assembly (rear)</b>	<b>N.S.P.</b>		<b>1</b>			
2	Bar—bumper	AHH5481	30	1			
3	Spring bar	AHH5482	31	2			
4	Bolt—spring bar to bumper bar (outer)	IG9872	32	2			Part No. change was AHH5480
5	Nut for bolt	FWZ106	33	2			
6	Washer for nut (plain)	PWZ106	34	2			
7	Washer for nut (spring)	LWZ206	35	2			
8	Washer for nut (special)	AHH5494	36	2			
9	Bolt—spring bar to bumper bar (inner)	AHH5485	37	2			
10	Nut for bolt	FNZ106	38	2			
11	Washer for nut (plain)	PWZ206	39	4			
12	Washer for nut (spring)	LWZ206	40	2			
13	Washer for nut (special)	AHH5494	41	2			
14	Distance piece for bolt	AHH5483	42	2			
15	Distance tube for bolt	AHH5484	43	2			
16	<b>Over-rider assembly</b>	<b>AHH5478</b>	<b>44</b>	<b>2</b>			
17	Moulding (P.V.C.)	AHH5488	45	4			
18	Bolt—over-rider to bumper bar	HBZ0616	46	2			
19	Washer for bolt (spring)	LWZ206	47	2			
20	Washer for bolt (special)	AHH5494	48	2			
21	<b>Bracket—rear bumper mounting (R/H)</b>	<b>AHH5093</b>	<b>49</b>	<b>1</b>			
22	<b>Bracket—rear bumper mounting (L/H)</b>	<b>AHH5094</b>	<b>50</b>	<b>1</b>			
23	Bolt—bracket to frame (3 3/4")	HBZ0730	51	2			
24	Nut for bolt	FNZ107	52	2			
25	Washer for nut (spring)	LWZ207	53	2			
26	Bolt—bracket to frame (4")	HBZ0732	54	2			
27	Nut for bolt	FNZ107	55	2			
28	Washer for nut (plain)	PWZ107	56	2			
29	Washer for nut (spring)	LWZ207	57	2			
30	Grommet for bracket	130383	58	2			
31	Nut—spring bar to bracket	FNZ108	59	2			
32	Washer for nut (plain)	PWZ208	60	4			
33	Washer for nut (spring)	LWZ208	61	2			