

A2911

SERVICE PARTS LIST

THE M.G. Series MGA TWIN CAM

Item No.	DESCRIPTION	Commencing (C) 501		Qty. per Vehicle		Unit of Issue	Type of Vehicle	MODIFICATIONS			REMARKS
		Part Number	Illus. No.	RHD	LHD			New Part Number	Change Point	Amdt. No.	
REAR AXLE AND SUSPENSION											
REAR AXLE											
1	Axle assembly	N.S.P.		1	1						
2	Case assembly	ATB7288	H1	1	1						
3	Nut—bearing retaining (R.H.T.)	1G7448	H2	1	1						
4	Nut—bearing retaining (L.H.T.)	1G7582		1	1						
5	Stud for gear carrier	2A7226	H3	10	10						
6	Nut for rebound spindle	FNZ106	H4	2	2						
7	Washer for bearing retaining nut	1G7584	H5	2	2						
8	Nut—gear carrier to axle case	FNZ105	H6	10	10						
9	Washer for nut	LWZ305	H7	10	10						
10	Plug—drain	6K499	H8	1	1						
11	Plug—filler	6K499	H9	1	1						
12	Breather assembly	1G3668	H10	1	1						
13	Joint—gear carrier to axle case	1G7465	H11	1	1	12					
14	Differential assembly	ATB7189		1	1			ATB7283	Com. (C) 2371		
15	Carrier assembly	ATB7181	H12	1	1						
16	Stud for bearing cap	51K886	H13	4	4						
17	Washer for bearing cap (plain)	ATC7084	H14	4	4						
18	Washer for bearing cap (spring)	LWN307	H15	4	4						
19	Nut for stud	FNNT107	H16	4	4						
20	Bearing—differential	2K8938	II17	2	2] Alternatives
21	Bearing—differential	2K6544		2	2						
22	Washer—bearing packing (.002")	2K7993	II18	A/R	A/R						
23	Washer—bearing packing (.003")	ATB7239		A/R	A/R						
24	Washer—bearing packing (.004")	2K7435		A/R	A/R						
25	Washer—bearing packing (.006")	6K503		A/R	A/R						
26	Washer—bearing packing (.010")	1G7600		A/R	A/R						
27	Cage—differential	ATB7062	H19	1	1						
28	Wheel—differential	ATB7122	II20	2	2			ATB7292	Com. (C) 2371		
29	Washer for gear (thrust)	ATB7072	H21	2	2						
30	Pinion—differential	ATB7123	H22	2	2						
31	Washer for pinion (thrust)	1G7445	H23	2	2						
32	Pin for pinion	1G7444	H24	1	1						
33	Peg for pinion pin	6K842	II25	1	1						
34	Crown wheel and pinion	ATB7156	H26	1	1						
35	Bolt—crown wheel to cage	ATA7043	H27	8	8						
36	Washer for bolt (lock)	6K875	H28	4	4						
37	Washer—pinion thrust (.126")	ATB7064	H29	1	1] One used of selected size
38	Washer—pinion thrust (.124")	ATB7065		1	1						
39	Washer—pinion thrust (.122")	ATB7066		1	1						
40	Washer—pinion thrust (.120")	ATB7067		1	1						
41	Washer—pinion thrust (.118")	ATB7068		1	1						
42	Washer—pinion thrust (.116")	ATB7069		1	1						
43	Washer—pinion thrust (.114")	ATB7070		1	1						
44	Washer—pinion thrust (.110")	ATB7071		1	1						
45	Bearing—pinion (inner)	6K287	H30	1	1						
46	Spacer for bearing	1B7240	H31	1	1						
47	Bearing—pinion (outer)	2A7213	H32	1	1						

SERVICE PARTS LIST

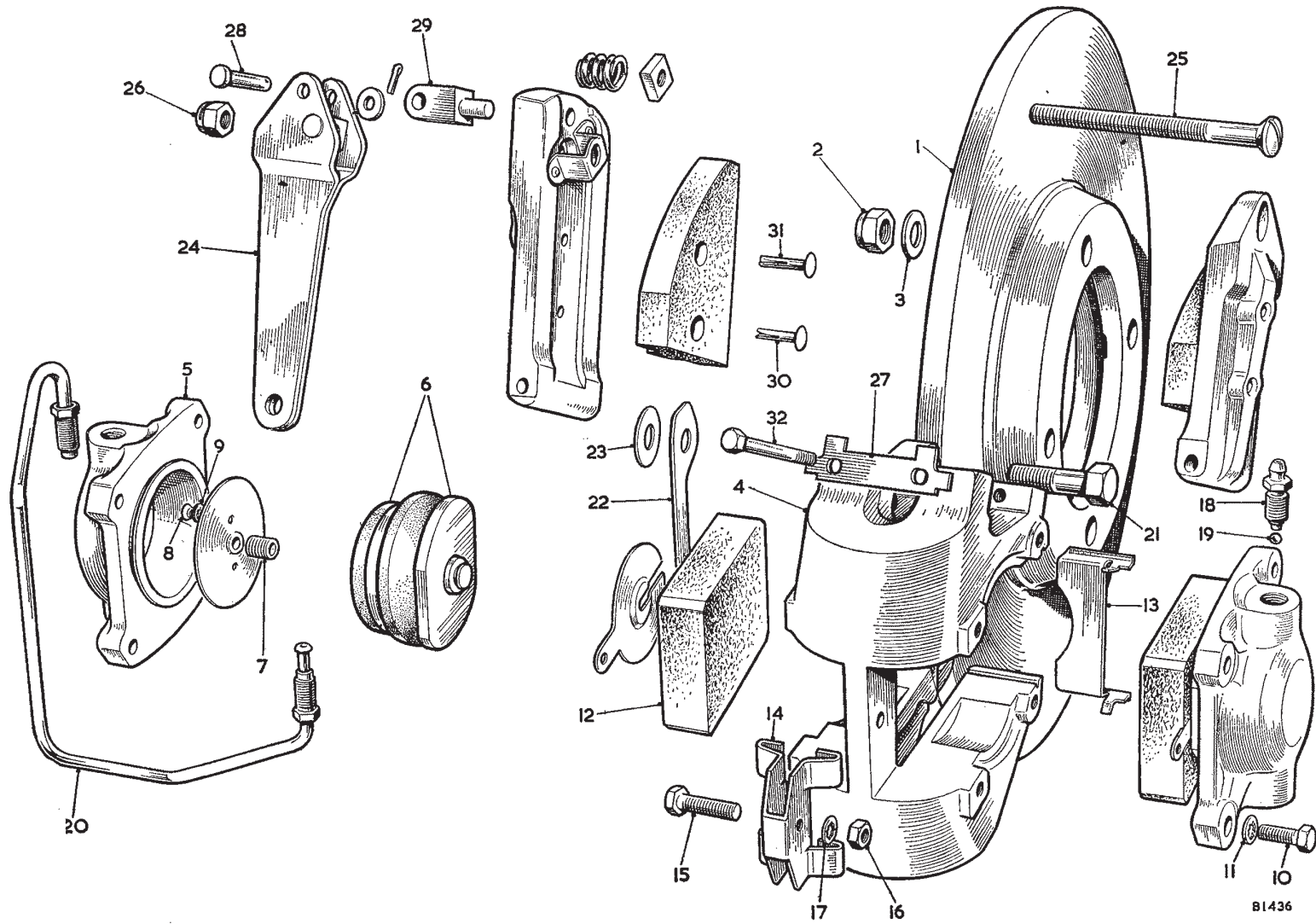
THE MGA 1600

Item No.	DESCRIPTION	Commencing (C)68851		Qty. per Vehicle	MODIFICATIONS		REMARKS
		Part Number	Illus. No.		New Part Number	Change Point	
Rear Axle—All-Round Disc Brakes Model—continued							
1	Crown wheel and pinion 10/43		26	1	ATB7156	} Com. (C) 91240 } Fin. (C)100351 } Com. (C) 100352 } Com. (C) 91240	} Alternatives
2	Crown wheel and pinion 10/43			1	BTB323		
3	Crown wheel and pinion 10/41			1	ATB7240		
4	Crown wheel and pinion 9/41			1	ATB7146		
5	Crown wheel and pinion 9/41			1	BTB57		
6	Bolt—crown wheel to differential cage		27	8	ATA7043	} Com. (C) 91240	} Optional alternative ratio to 10/43 or 10/41 } Alternatives
7	Washer—lock—for bolt		28	4	6K875		
8	Washer—pinion thrust (.126" [3.20 mm.])		29	1	ATB7064		
9	Washer—pinion thrust (.124" [3.15 mm.])			1	ATB7065		
10	Washer—pinion thrust (.122" [3.10 mm.])			1	ATB7066		
11	Washer—pinion thrust (.120" [3.05 mm.])			1	ATB7067		
12	Washer—pinion thrust (.118" [3.00 mm.])			1	ATB7068		
13	Washer—pinion thrust (.116" [2.95 mm.])			1	ATB7069		
14	Washer—pinion thrust (.114" [2.90 mm.])			1	ATB7070		
15	Washer—pinion thrust (.112" [2.84 mm.])			1	ATB7071		
16	Bearing—pinion—inner		30	1	6K287		
17	Spacer for bearing		31	1	1B7240		
18	Bearing—pinion—outer		32	1	2A7213		
19	Shim—outer bearing (.004" [.102 mm.])		33	A/R	ATB7102		
20	Shim—outer bearing (.006" [.152 mm.])			A/R	ATB7103		
21	Shim—outer bearing (.008" [.203 mm.])			A/R	ATB7104		
22	Shim—outer bearing (.010" [.254 mm.])			A/R	ATB7105		
23	Shim—outer bearing (.012" [.304 mm.])			A/R	ATB7106		
24	Shim—outer bearing (.020" [.508 mm.])			A/R	ATB7107		
25	Shim—outer bearing (.030" [.762 mm.])			A/R	ATB7108		
26	Seal—oil		34	1	ATA7047		
27	Cover—dust		35	1	1G7439		
28	Flange—universal joint		36	1	ATB7059		
29	Nut for pinion		37	1	FNZ612		
30	Washer—spring—for nut		38	1	LWZ212		

SERVICE PARTS LIST

THE MGA 1600

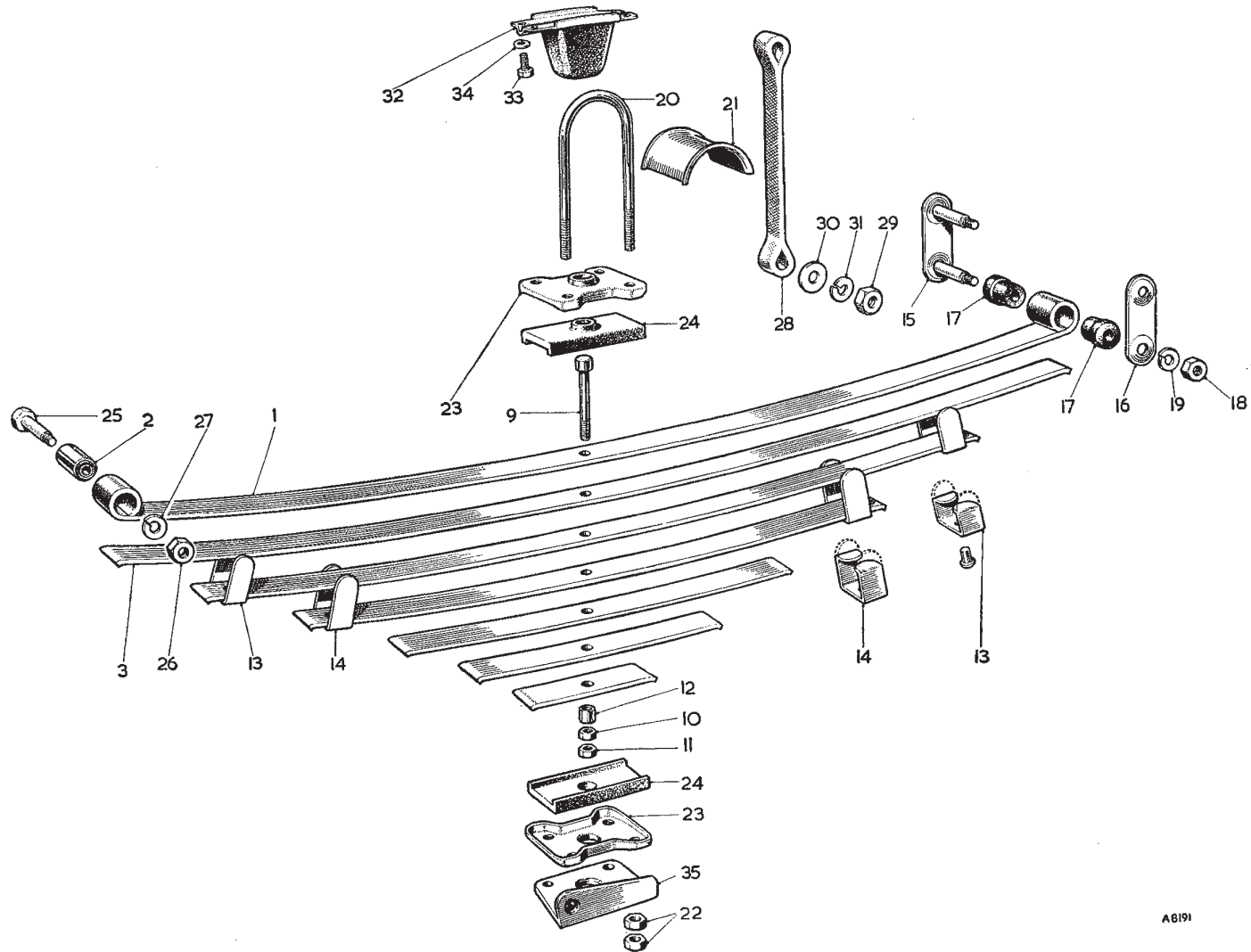
Item No.	DESCRIPTION	Commencing (C) 68851		Quantity	MODIFICATIONS		REMARKS
		Part Number	Illus. No.		New Part Number	Change Point	
	Rear Axle—All Round Disc Brakes Model—continued						
1	Plate—adaptor—R/H		39	1	ATB7256] Com. (C) 91240	
2	Plate—adaptor—L/H			1	ATB7257		
3	Bolt—adaptor plate to axle case		40	8	ATB7258		
4	Nut—bolt		41	8	FNZ106		
5	Washer—spring—nut		42	8	LWZ206		
6	Cover—dust		43	2	ATB7269		
7	Housing assembly—bearing		44	2	ATB7246		
8	Stud—disc plate to housing		45	8	ATB7248		
9	Stud—extension to housing		46	8	ATB7249		
10	Gasket—hub extension		47	2	BTB252		
11	Shaft—axle		48	2	BTB153		
12	Hub extension—R/H		49	1	ATB7252		
13	Hub extension—L/H			1	ATB7253		
14	Plug—welch		50	2	2K8160		
15	Nut—pinnacle		51	8	ATB7268		
16	Seal—oil		52	2	8G555		
17	Bearing—hub		53	2	2K7477		



SERVICE PARTS LIST

THE MGA 1600

Item No.	DESCRIPTION	Commencing (C) 68851		Quantity	MODIFICATIONS		REMARKS
		Part Number	Illus. No.		New Part Number	Change Point	
	REAR BRAKES						
	ALL ROUND DISC BRAKES MODEL						
1	Disc brake		1	2	ATB7254	Com. (C) 92140	
2	Nut—pinnacle—disc to housing		2	8	ATB7265		
3	Washer—plain—nut		3	8	PWZ106		
4	Calliper unit assembly—R/H			1	7H8258		
5	Calliper unit assembly—L/H			1	7H8259		
6	Calliper—R/H		4	1	7H8263		
7	Calliper—L/H			1	7H8262		
8	Cylinder assembly		5	4	7H8253		
9	Piston assembly		6	4	7H8260		
10	Bush—retractor		7	4	7H8212		
11	Screw—plate to piston		8	8	AJD4802N		
12	Washer—shakeproof—screw		9	8	7H8222		
13	Bolt—cylinder to calliper		10	16	7H8206		
14	Washer—shakeproof—bolt		11	16	1.WN404		Part No. change; was 7H8207 Not available; use 8G8003
	Pad assembly—friction		12	4	7H8201		
15	Pad assembly—friction		12	1 set	8G8003		
16	Plate—support		13	4	7H8202		
17	Plate—keep		14	2	7H8203		
18	Bolt—keep plate		15	2	HZS0407		
19	Nut for bolt		16	2	1.NZ104		
20	Washer—shakeproof—nut		17	2	1.WN404		Part No. change was 7H8207
21	Screw—bleed		18	2	7H8252		
22	Ball—bleed screw		19	2	BLS106		
23	Pipe—bridge—R/H		20	1	7H8254		
24	Pipe—bridge—L/H			1	7H8255		
25	Bolt—calliper to adaptor plate		21	4	ATB4247		
26	Plate—lock		22	2	ATB7250		
27	Shim—calliper to adaptor plate .003" (.076 mm.)		23	A/R	ATB7262		
28	Shim—calliper to adaptor plate .005" (.127 mm.)			A/R	ATB7263		
29	Shim—calliper to adaptor plate .020" (.508 mm.)			A/R	ATB7264		
30	Brake assembly—hand—R/H			1	7H8239		
31	Brake assembly—hand—L/H			1	7H8247		
32	Lever assembly—operating		24	2	7H8240		
33	Bolt—lever to carrier		25	2	7H8241		
34	Nut—self-locking		26	2	1.NZ105		Part No. change; was 7H8242
35	Washer—tab		27	2	7H8243		
36	Pin—clevis		28	2	7H8244		
37	Seat—pivot		29	2	7H8246		
38	Rivet—bifurcated—short		30	4	BRP014		Part No. change; was 7H8250
39	Rivet—bifurcated—long		31	4	BRP016		Part No. change; was 7H8251
40	Bolt—pad carrier to calliper unit		32	4	7H8245		
41							



A8191

SERVICE PARTS LIST

THE MGA 1600

Item No.	DESCRIPTION	Commencing (C) 68851		Quantity	MODIFICATIONS		REMARKS
		Part Number	Illus. No.		New Part Number	Change Point	
	REAR SPRING						
1	Spring assembly	AHH5461		2			
2	Leaf—main	AHH5462	1	2			
3	Bush	AHH5015	2	2			
4	Leaf—second	AHH5464	3	2			
5	Bolt—locating	AHH5042	9	2			
6	Nut—bolt	FNZ105	10	2			
7	Locknut—bolt	FNZ205	11	2			
8	Distance piece—bolt	ACA5000	12	2			
9	Clip—third leaf	AHH5467	13	4			
10	Clip—fourth leaf	AHH5470	14	4			
11	Plate—shackle and pins	AHH5018	15	2			
12	Plate—shackle (inner)	AHH5010	16	2			
13	Bush—shackle plate (rubber)	2A5176	17	8			Part No. change; was AHH5016
14	Nut—shackle plate pin	FNZ106	18	4			
15	Washer—spring—nut	LWZ200	19	4			
16	Clip—U— rear spring	AAA3838	20	4			Part No. change; was 184448
17	Plate—U-clip (top)	AHH5082	21	2			
18	Nut— U-clip	FNZ100	22	16			
19	Plate—spring locating	ACG5001	23	4			
20	Pad— spring seating	ACG5002	24	4			
21	Bolt— spring — front end	AHH5071	25	2			
22	Nut — bolt	FNZ107	26	2			
23	Washer—spring— bolt	LWZ207	27	2			
24	Strap—rebound	AHH5081	28	2			
25	Nut—rebound strap to axle	FNZ106	29	2			
26	Washer—plain—nut	PWZ206	30	2			
27	Washer—spring—nut	LWZ206	31	2			
28	Bump rubber	AHH5106	32	2			
29	Screw—bump rubber to frame	HZS0505	33	4			
30	Washer—spring—screw	LWZ205	34	4			
31	Bracket—shock absorber to rear spring—R/H	AHH5067		1			
32	Bracket—shock absorber to rear spring—L/H	AHH5068	35	1			