

To face page R.1

SERVICE PARTS LIST

THE M.G. Series MGA TWIN CAM

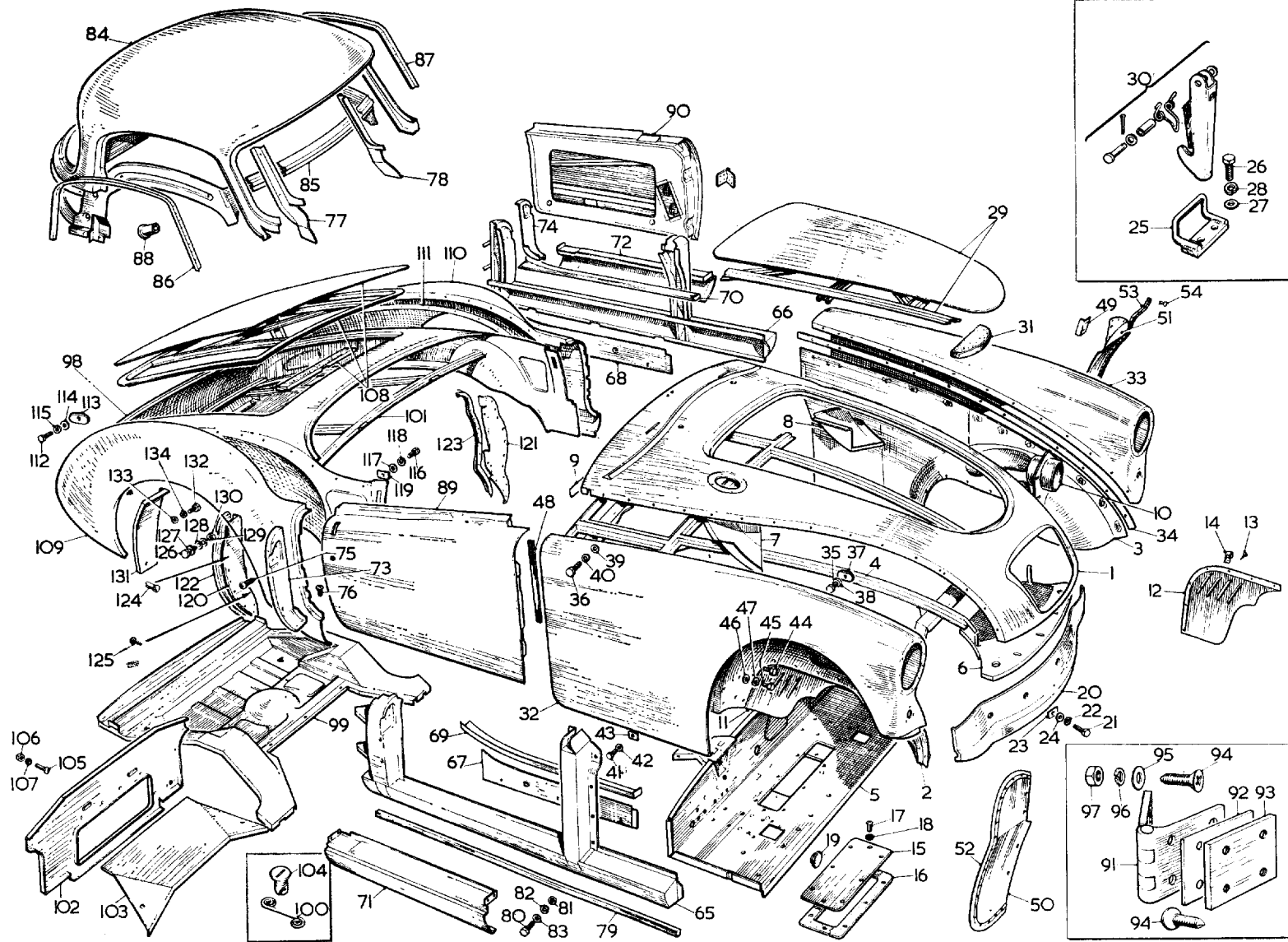
Item No.	DESCRIPTION	Commencing (C) 501		Qty. per Vehicle		Unit of Issue	Type of Vehicle	MODIFICATIONS			REMARKS
		Part Number	Illus. No.	RHD	LHD			New Part Number	Change Point	Amdt. No.	
	BODY SHELL										
1	Shell—body	AFH6582		1	1						
2	Front end assembly	AFH4891		1	1			AFH5833	Com. (C) 592		
3	Panel—bonnet surround	AFH1520	R1	1	1						
4	Front side assembly—R.H.	AFH5796	R2	1	1			AFH5836] Com. (C) 592		
5	Front side assembly—L.H.	AFH5797	R3	1	1			AFH5837			
6	Bonnet surround reinforcement	AFH1521	R4	1	1						
7	Panel assembly—front bulkhead	AFH5472	R5	1	1						
8	Panel—radiator duct	AFH4893	R6	1	1						
9	Box assembly—R.H. air duct	AFH1502	R7	1	1						
10	Box assembly—L.H. air duct	AFH1503	R8	1	1						
11	Strip—front bulkhead packing	AFH1794	R9	1	1						
12	Tube—air duct	AFH5792	R10	2	2						
13	Panel—front wheel arch detachable—R.H.		R11	1	1			AFH5844] Com. (C) 592		
14	Panel—front wheel arch detachable—L.H.		R12	1	1			AFH5845			
15	Screw fixing panel		R13	14	14			PJZ1003			
16	Nut for screw		R14	14	14			PFS310			
17	Cover-plate—heater aperture	AHH5252	R15	1	1						
18	Gasket—heater sealing	AHH5253	R16	2	2						
19	Screw fixing cover-plate	PPZ0310	R17	8	8						
20	Washer for screw (spring)	LWZ203	R18	8	8						
21	Grommet—blanking valve control	4G2541	R19	1	1						
22	Panel—front valance	AFH1896	R20	1	1						
23	Screw fixing panel	AFH2587	R21	14	14		Tourer				
24	Washer for screw (spring)	LWZ203	R22	14	14						
25	Washer plate—valance to body	AFH2546	R23	6	6						
26	Washer for screw (plain)	PWZ203	R24	8	8						
27	Bracket—bonnet lock safety catch	AFH1767	R25	1	1						
28	Screw fixing bracket	AFH2587	R26	2	2						
29	Washer for screw (plain)	PWZ203	R27	2	2						
30	Washer for screw (spring)	LWZ203	R28	2	2						
31	Panel assembly—bonnet lid	AFH4880	R29	1	1						
32	Safety catch assembly	14A366	R30	1	1						
33	Batten—bonnet lid stiffening	AFH4879	R31	1	1						
34	Wing assembly—front—R.H.	AFH1690	R32	1	1			AFH6614] Com. (C) 2193		
35	Wing assembly—front—L.H.	AFH1691	R33	1	1			AFH6615			
36	Piping—front wing	AFH1692	R34	2	2						
37	Screw—front wing to body (1")	HPZ0508	R35	21	21						
38	Screw—front wing to body (1¼")	HPZ0510	R36	5	5						
39	Washer plate—front wing fixing	AFH2627	R37	22	22						
40	Washer for screw—small (plain)	PWZ105	R38	2	2						
41	Washer for screw—large (plain)	PWZ205	R39	2	2						
42	Washer for screw (spring)	LWZ205	R40	26	26	24					
43	Screw—front wing to sill	AFH2587	R41	6	6						
44	Washer for screw (spring)	LWZ203	R42	6	6						
45	Washer plate—wing lower fixing	AFH2546	R43	6	6						

Item No.	DESCRIPTION	Commencing (C) 501		Qty. per Vehicle		Unit of Issue	Type of Vehicle	MODIFICATIONS			REMARKS
		Part Number	Illus. No.	RHD	LHD			New Part Number	Change Point	Amdt. No.	
	Body Shell—continued										
1	Screw—wing closing plate to body	HPZ0408	R44	2	2						
2	Screw—wing closing plate to body	HPZ0406	R45	6	6						
3	Washer for screw (plain)	PWZ204	R46	8	8						
4	Washer for screw (spring)	LWZ204	R47	8	8	12					
5	Packing—front wing	AFH3840	R48	2	2						
6	Bracket assembly—front wing splash plate	AFH1700	R49	2	2						
7	Splash plate—R.H. front wing	AFH1702	R50	1	1						
8	Splash plate—L.H. front wing	AFH1703	R51	1	1						
9	Seal—R.H. front splash plate (rubber)	AFH1710	R52	1	1						
10	Seal—L.H. front splash plate (rubber)	AFH1711	R53	1	1						
11	Rivet—seal to plate	BRP906	R54	34	34						
12	Screw—splash plate to body	HPZ0405		12	12						
13	Washer for screw (plain)	PWZ204		12	12						
14	Washer for screw (spring)	LWZ204		12	12	12					
15	Screw fixing front splash plate	HZS0405		4	4						
16	Washer for screw (plain)	PWZ204		4	4						
17	Washer for screw (spring)	LWZ204		4	4	12					
18	Washer plate—splash plate to wing	AFH2546		2	2						
19	Screw—splash plate to wing	AFH2587		2	2						
20	Nut for screw	FNZ103		2	2						
21	Washer for nut (spring)	LWZ203		2	2						
22	Sill reinforcement and pillar assembly—R.H.	AFH1620	R65	1	1						
23	Sill reinforcement and pillar assembly—L.H.	AFH1621	R66	1	1		Tourer				
24	Panel—sill inner—R.H.	AFH1656	R67	1	1						
25	Panel—sill inner—L.H.	AFH1657	R68	1	1						
26	Plate—sill sealing—R.H.	AFH1658	R69	1	1						
27	Plate—sill sealing—L.H.	AFH1659	R70	1	1						
28	Panel—sill outer—R.H.	AFH2624	R71	1	1						
29	Panel—sill outer—L.H.	AFH2625	R72	1	1						
30	Pillar top extension—R.H. door hinge	AFH1624	R73	1	1						
31	Pillar top extension—L.H. door hinge	AFH1625	R74	1	1						
32	Backing plate—R.H. hinge pillar extension	AFH1626	R75	1	1						
33	Backing plate—L.H. hinge pillar extension	AFH1627	R76	1	1						
34	Panel—shut pillar facing—R.H.	AFH898	R77	1	1						
35	Panel—shut pillar facing—L.H.	AFH899	R78	1	1						
36	Screw fixing facing panel (side)	RPZ0310	R79	6	6						
37	Screw fixing facing panel (bottom)	RTZ804	R80	4	4						
38	Screw fixing facing panel (top)	CTZ804	R81	4	4						
39	Finisher—sill lower	AFH3752	R82	2	2						
40	Bolt fixing sill finisher (special)	AFH3753	R83	10	10						
41	Nut for bolt	FNZ103	R84	10	10						
42	Lock washer for nut	LWZ403	R85	10	10						
43	Washer for nut (plain)	PWZ203	R86	10	10						
44	Door assembly—R.H.	AFH1666	R87	1	1						
45	Door assembly—L.H.	AFH1667	R88	1	1						
46	Stiffener—door casing	AFH1899	R89	2	2						

SERVICE PARTS LIST

THE M.G. Series MGA TWIN CAM

Item No.	DESCRIPTION	Commencing (C) 501		Qty. per Vehicle		Unit of Issue	Type of Vehicle	MODIFICATIONS			REMARKS
		Part Number	Illus. No.	RHD	LHD			New Part Number	Change Point	Amdt. No.	
	Body Shell—continued										
1	Hinge—door	AFH5832	R90	4	4						
2	Packing—door hinge	AFH5827	R91	4	4						
3	Plate—tapping	AFH1464	R92	4	4						
4	Screw fixing hinge	CPZ0412	R93	32	32						
5	Washer for screw (plain)	PWZ204	R94	16	16						
6	Washer for screw (spring)	LWZ204	R95	16	16						
7	Nut for screw	FNZ104	R96	16	16						
8	Tonneau assembly	AFH1754		1	1						
9	Tonneau sub-assembly	AFH1870		1	1						
10	Tonneau panel	AFH1871	R97	1	1						
11	Floor assembly—trunk	AFH1874	R98	1	1						
12	Dzus spring	7H9828	R99	2	2						
13	Reinforcement assembly—tonneau	AFH1579	R100	1	1						
14	Panel assembly—rear bulkhead	AFH1585	R101	1	1						
15	Panel assembly—battery cover	AFH1663	R102	1	1						
16	Dzus fastener	7H9827	R103	2	2						
17	Screw fixing rear bulkhead panel	PMZ0308	R104	2	2						
18	Nut for screw	FNZ103	R105	2	2						
19	Washer for nut (spring)	LWZ203	R106	2	2						
20	Lid assembly—trunk	AFH5474	R107	1	1						
21	Wing assembly—rear—R.H.	AFH1768	R108	1	1						
22	Wing assembly—rear—L.H.	AFH1769	R109	1	1						
23	Piping—rear wing	AFH1693	R110	2	2		Tourer				
24	Screw—rear wing to body	HPZ0508	R111	22	22						
25	Washer plate—rear wing fixing	AFH2627	R112	20	20						
26	Washer for screw (plain)	PWZ205	R113	2	2						
27	Washer for screw (spring)	LWZ205	R114	22	22	24					
28	Screw—rear wing to sill	AFH2587	R115	4	4						
29	Washer for screw (plain)	PWZ203	R116	4	4						
30	Washer for screw (spring)	LWZ203	R117	4	4						
31	Washer plate—wing lower fixing	AFH2546	R118	4	4						
32	Splash plate—rear wing R.H. front	AFH4782	R119	1	1						
33	Splash plate—rear wing L.H. front	AFH4783		1	1						
34	Seal—splash plate R.H. (rubber)	AFH4784	R120	1	1						
35	Seal—splash plate L.H. (rubber)	AFH4785		1	1						
36	Rivet—seal to plate	BRP906	R121	22	22						
37	Screw—lower plate fixing	PTZ604	R122	4	4						
38	Screw—plate to body	HZS0405	R123	4	4						
39	Washer for screw (plain)	PWZ204	R124	4	4						
40	Washer for screw (plain)	PWZ104	R125	4	4	12					
41	Washer for screw (spring)	LWZ204	R126	4	4	12					
42	Nut for screw	FNZ104	R127	4	4						
43	Splash plate assembly—rear wing R.H. rear	AFH1704	R128	1	1						
44	Splash plate assembly—rear wing L.H. rear	AFH1705		1	1						
45	Screw fixing rear splash plate	HZS0405	R129	8	8						
46	Washer for screw (plain)	PWZ204	R130	8	8						
47	Washer for screw (spring)	LWZ204	R131	8	8	12					



A3061

To face page R.4

SERVICE PARTS LIST

THE M.G. Series MGA TWIN CAM

Item No.	DESCRIPTION	Commencing (C) 501		Qty. per Vehicle		Unit of Issue	Type of Vehicle	MODIFICATIONS			
		Part Number	Illus. No.	RHD	LHD			New Part Number	Change Point	Amdt. No.	REMARKS
	Body Shell—continued										
1	Shell—body	AFH6594		1	1						
2	Front end assembly	AFH4892		1	1						
3	Panel—bonnet surround	AFH3866	RA1	1	1			AFH5834	Com. (C) 594		
4	Front side assembly—R.H.	AFH5798	RA2	1	1						
5	Front side assembly—L.H.	AFH5799	RA3	1	1			AFH5838] Com. (C) 594		
6	Bonnet surround reinforcement	AFH3867	RA4	1	1			AFH5839			
7	Panel assembly—front bulkhead	AFH5472	RA5	1	1						
8	Panel—radiator duct	AFH4893	RA6	1	1						
9	Box assembly—R.H. air duct	AFH1502	RA7	1	1						
10	Box assembly—L.H. air duct	AFH1503	RA8	1	1						
11	Strip—front bulkhead packing	AFH1794	RA9	1	1						
12	Tube—air duct	AFH5792	RA10	2	2						
13	Panel—front wheel arch detachable—R.H.		RA11	1	1						
14	Panel—front wheel arch detachable—L.H.		RA12	1	1			AFH5844] Com. (C) 594		
15	Screw fixing panel		RA13	14	14			AFH5845			
16	Nut for screw		RA14	14	14			PJZ1003			
17	Cover-plate—heater aperture	AHH5252	RA15	1	1			PFS810			
18	Gasket—heater sealing	AHH5253	RA16	2	2						
19	Screw fixing cover-plate	PPZ0810	RA17	8	8						
20	Washer for screw (spring)	LWZ203	RA18	8	8						
21	Grommet—blanking valve control	4G2541	RA19	1	1						
22	Panel—front valance	AFH1896	RA20	1	1						
23	Screw fixing panel	AFH2587	RA21	14	14		Coupe				
24	Washer for screw (spring)	LWZ203	RA22	14	14						
25	Washer plate—valance to body	AFH2546	RA23	6	6						
26	Washer for screw (plain)	PWZ203	RA24	8	8						
27	Bracket—bonnet lock safety catch	AFH1767	RA25	1	1						
28	Screw fixing bracket	AFH2587	RA26	2	2						
29	Washer for screw (plain)	PWZ203	RA27	2	2						
30	Washer for screw (spring)	LWZ203	RA28	2	2						
31	Panel assembly—bonnet lid	AFH4880	RA29	1	1						
32	Safety catch assembly	14A866	RA30	1	1						
33	Batten—bonnet lid stiffening	AFH4879	RA31	1	1						
34	Wing assembly—front—R.H.	AFH4478	RA32	1	1			AFH6618] Com. (C) 2292		
35	Wing assembly—front—L.H.	AFH4479	RA33	1	1			AFH6619			
36	Piping—front wing	AFH1692	RA34	2	2						
37	Screw—front wing to body (1")	HPZ0508	RA35	21	21						
38	Screw—front wing to body (1½")	HPZ0510	RA36	5	5						
39	Washer plate—front wing fixing	AFH2627	RA37	22	22						
40	Washer for screw—small (plain)	PWZ105	RA38	2	2						
41	Washer for screw—large (plain)	PWZ205	RA39	2	2						
42	Washer for screw (spring)	LWZ205	RA40	26	26	24					
43	Screw—front wing to sill	AFH2587	RA41	6	6						
44	Washer for screw (spring)	LWZ203	RA42	6	6						
45	Washer plate—wing lower fixing	AFH2546	RA43	6	6						

SERVICE PARTS LIST

THE M.G. Series MGA TWIN CAM

Item No.	DESCRIPTION	Commencing (C) 501		Qty. per Vehicle		Unit of Issue	Type of Vehicle	MODIFICATIONS			REMARKS
		Part Number	Illus. No.	RHD	LHD			New Part Number	Change Point	Amdt. No.	
	Body Shell—continued										
1	Screw—wing closing plate to body	HPZ0408	RA44	2	2						
2	Screw—wing closing plate to body	HPZ0406	RA45	6	6						
3	Washer for screw (plain)	PWZ204	RA46	8	8						
4	Washer for screw (spring)	LWZ204	RA47	8	8	12					
5	Packing—front wing	AFH3840	RA48	2	2						
6	Bracket assembly—front wing splash plate	AFH1700	RA49	2	2						
7	Splash plate—R.H. front wing	AFH1702	RA50	1	1						
8	Splash plate—L.H. front wing	AFH1703	RA51	1	1						
9	Seal—R.H. front splash plate (rubber)	AFH1710	RA52	1	1						
10	Seal—L.H. front splash plate (rubber)	AFH1711	RA53	1	1						
11	Rivet—seal to plate	BRP906	RA54	34	34						
12	Screw—splash plate to body	HPZ0405		12	12						
13	Washer for screw (plain)	PWZ204		12	12						
14	Washer for screw (spring)	LWZ204		12	12	12					
15	Screw fixing front splash plate	HZS0405		4	4						
16	Washer for screw (plain)	PWZ204		4	4						
17	Washer for screw (spring)	LWZ204		4	4	12					
18	Washer plate—splash plate to wing	AFH2546		2	2						
19	Screw—splash plate to wing	AFH2587		2	2						
20	Nut for screw	FNZ103		2	2						
21	Washer for nut (spring)	LWZ203		2	2						
22	Sill reinforcement and pillar assembly—R.H.	AFH3882	RA65	1	1						
23	Sill reinforcement and pillar assembly—L.H.	AFH3883	RA66	1	1						
24	Shut pillar assembly—R.H.	AFH3780		1	1		Coupé				
25	Shut pillar assembly—L.H.	AFH3781		1	1						
26	Panel—sill inner—R.H.	AFH1656	RA67	1	1						
27	Panel—sill inner—L.H.	AFH1657	RA68	1	1						
28	Plate—sill sealing—R.H.	AFH1658	RA69	1	1						
29	Plate—sill sealing—L.H.	AFH1659	RA70	1	1						
30	Panel—sill outer—R.H.	AFH2624	RA71	1	1						
31	Panel—sill outer—L.H.	AFH2625	RA72	1	1						
32	Panel—shut pillar facing—R.H.	AFH3786	RA73	1	1						
33	Panel—shut pillar facing—L.H.	AFH3787	RA74	1	1						
34	Screw fixing facing panel (side)	RPZ0310	RA75	4	4						
35	Screw fixing facing panel (bottom)	RTZ804	RA76	4	4						
36	Pillar reinforcement—windscreen—R.H.	AFH4466	RA77	1	1						
37	Pillar reinforcement—windscreen—L.H.	AFH4467	RA78	1	1						
38	Finisher—sill lower	AFH3752	RA79	2	2						
39	Bolt fixing sill finisher (special)	AFH3753	RA80	10	10						
40	Nut for bolt	FNZ103	RA81	10	10						
41	Lock washer for nut	LWZ403	RA82	10	10						
42	Washer for nut (plain)	PWZ203	RA83	10	10						
43	Roof assembly	AFH4748		1	1						
44	Panel assembly—roof	AFH4464	RA84	1	1						
45	Reinforcement assembly—panel	AFH4465	RA85	1	1						
46	Dripway—door opening—R.H.	AFH4482	RA86	1	1						
47	Dripway—door opening—L.H.	AFH4483	RA87	1	1						
48	Rivet—dripway to roof panel	AFH5453	RA88	52	52						

SERVICE PARTS LIST

THE M.G. Series MGA TWIN CAM

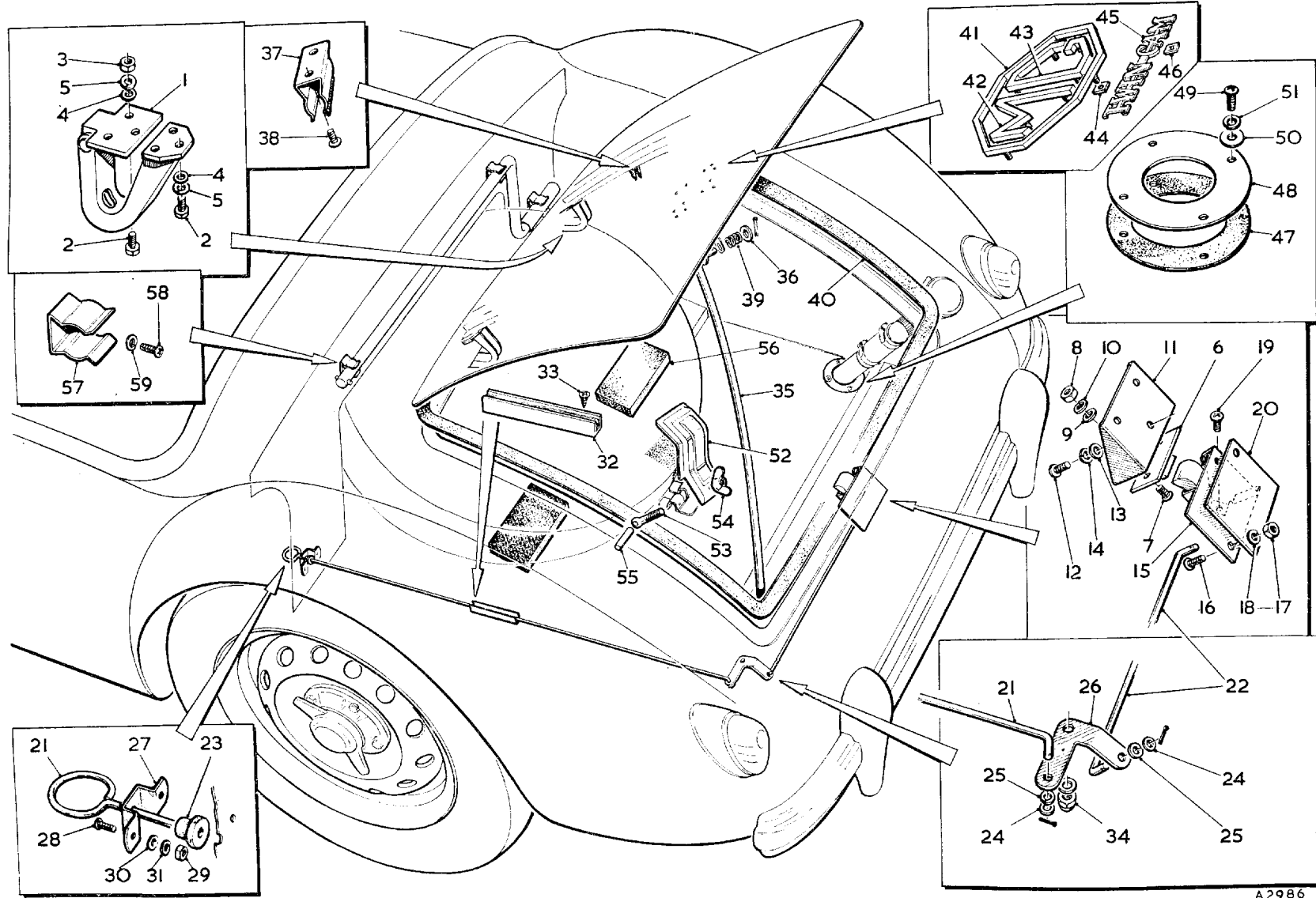
Item No.	DESCRIPTION	Commencing (C) 501		Qty. per Vehicle		Unit of Issue	Type of Vehicle	MODIFICATIONS			REMARKS
		Part Number	Illus. No.	RHD	LHD			New Part Number	Change Point	Amdt. No.	
	Body Shell—continued										
1	Door assembly—R.H.	AFH4806	RA89	1							
2	Door assembly—L.H.	AFH4807	RA90	1							
3	Door assembly—R.H.	AFH3884			1						
4	Door assembly—L.H.	AFH3885			1						
5	Hinge—door	AFH5832	RA91	4	4						
6	Packing—door hinge	AFH5827	RA92	4	4						
7	Plate—tapping	AFH1464	RA93	4	4						
8	Screw fixing hinge	CPZ0412	RA94	32	32						
9	Washer for screw (plain)	PWZ204	RA95	16	16						
10	Washer for screw (spring)	LWZ204	RA96	16	16	12					
11	Nut for screw	FNZ104	RA97	16	16						
12	Tonneau assembly	AFH3878		1	1			AFH6650	Com. (C) 2292		
13	Tonneau sub-assembly	AFH3879		1	1						
14	Tonneau panel	AFH3881	RA98	1	1						
15	Floor assembly—trunk	AFH1874	RA99	1	1			AFH6651	Com. (C) 2292		
16	Dzus spring	7H9828	RA100	2	2						
17	Bracket assembly—spare wheel fixing			1	1			AFH6639	Com. (C) 2292		
18	Nut fixing bracket			2	2			FNZ104			
19	Washer for nut (plain)			2	2	12		PWZ104			
20	Washer for nut (spring)			2	2			LWZ104			
21	Reinforcement assembly—tonneau	AFH3880	RA101	1	1						
22	Panel assembly—rear bulkhead	AFH3820	RA102	1	1		Coupe	AFH6627	Com. (C) 2292		
23	Panel assembly—battery cover	AFH1663	RA103	1	1						
24	Dzus fastener	7H9827	RA104	2	2						
25	Screw fixing rear bulkhead panel	PMZ0308	RA105	2	2						
26	Nut for screw	FNZ103	RA106	2	2						
27	Washer for nut (spring)	LWZ203	RA107	2	2						
28	Lid assembly—trunk	AFH5474	RA108	1	1						
29	Wing assembly—rear—R.H.	AFH4480	RA109	1	1						
30	Wing assembly—rear—L.H.	AFH4481	RA110	1	1						
31	Piping—rear wing	AFH1693	RA111	2	2						
32	Screw—rear wing to body	HPZ0508	RA112	22	22						
33	Washer plate—rear wing fixing	AFH2627	RA113	20	20						
34	Washer for screw (plain)	PWZ205	RA114	2	2						
35	Washer for screw (spring)	LWZ205	RA115	22	22	12					
36	Screw—rear wing to sill	AFH2587	RA116	4	4						
37	Washer for screw (plain)	PWZ203	RA117	4	4						
38	Washer for screw (spring)	LWZ203	RA118	4	4						
39	Washer plate—wing lower fixing	AFH2546	RA119	4	4						
40	Splash plate—rear wing R.H. front	AFH4782	RA120	1	1						
41	Splash plate—rear wing L.H. front	AFH4783	RA121	1	1						
42	Seal—splash plate R.H. (rubber)	AFH4784	RA122	1	1						
43	Seal—splash plate L.H. (rubber)	AFH4785	RA123	1	1						
44	Rivet—seal to plate	BRP906	RA124	22	22						

SERVICE PARTS LIST

THE M.G. Series MGA TWIN CAM

Item No.	DESCRIPTION	Commencing (C) 501		Qty. per Vehicle		Unit of Issue	Type of Vehicle	MODIFICATIONS			REMARKS
		Part Number	Illus. No.	RHD	LHD			New Part Number	Change Point	Amdt. No.	
	FLOORING—RAMPS—PROPELLER SHAFT TUNNEL—GEARBOX COVER										
1	Toeboard—R.H.	AHH5817	RB1	1	1						
2	Screw—fixing toeboard—R.H. (1")	CPZ0416	RB2	5	5						
3	Screw—fixing toeboard—R.H. (1¼")	CPZ0420	RB3	1	1						
4	Washer for screw (cup)	ACA5374	RB4	6	6						
5	Toeboard—L.H.	AHH5263	RB5	1	1						
6	Screw—fixing toeboard—L.H. (1")	CPZ0416	RB6	6	6						
7	Washer for screw (cup)	ACA5374	RB7	6	6						
8	Screw—blanking accelerator adjusting stop holes	CPZ0408	RB8	2							
9	Washer for screw (cup)	ACA5374	RB9	2							
10	Seal—toeboard—top (felt).....	AHH5377	RB10	2	2						
11	Seal—toeboard support (felt)	AHH5378	RB11	2	2						
12	Seal—toeboard support plate (felt)	AHH5379	RB12	2	2						
13	Floorboard—front—R.H.	AHH5208	RB13	1	1						
14	Floorboard—front—L.H.	AHH5209	RB14	1	1						
15	Screw—fixing floorboard (front)	CPZ0416	RB15	16	16						
16	Washer for screw (cup)	ACA5374	RB16	16	16						
17	Floorboard—R.H.	AHH5205	RB17	1	1						
18	Floorboard—L.H.	AHH5206	RB18	1	1						
19	Screw—fixing floorboard (rear).....	CPZ0416	RB19	25	25						
20	Washer for screw (cup)	ACA5374	RB20	25	25						
21	Floorboard—R.H.	AHH5748		1	1						
22	Floorboard—L.H.	AHH5749		1	1						
23	Screw fixing floorboard	CMZ0420		16	16						
24	Ramp (rear)	AHH5207	RB21	1	1						
25	Screw fixing rear ramp.....	CPZ0416	RB22	12	12						
26	Washer for screw (cup)	ACA5374	RB23	12	12						
27	Seal—rear ramp centre (rubber).....	AHH5455	RB24	1	1						
28	Seal—rear ramp outer (rubber)	AHH5456	RB25	2	2						
29	Cover assembly—gearbox	AHH5815	RB26	1	1						
30	Screw—gearbox cover to toeboard plate	CPZ0412	RB27	2	2						
31	Washer for screw (cup)	ACA5374	RB28	2	2						
32	Seal—gearbox cover (rubber)	AHH5194	RB29	2	2						
33	Grommet—dipstick	ACA5300	RB30	1	1						
34	Seal—cover to tunnel (felt)	AHH5340	RB31	1	1						
35	Plate—gearbox cover cross-brace	AHH5226	RB32	2	2						
36	Tunnel—propeller shaft	AHH5199	RB33	1	1						
37	Seal—propeller shaft tunnel—rear (felt)	AHH5200	RB34	1	1						
38	Packing—rear floor (boot)	AHH5180	RB35	3	3						
39	Screw—carpet fixing (front and centre)	94605	RB36	12	12						
40	Screw—carpet fixing (toeboard)	183599	RB37	4	4						
41	Nut for screw.....	AJD8012Z	RB38	4	4						
42	Washer for nut (spring)	LWZ203	RB39	4	4						
43	Cover—starter motor (rubber).....	AHH5838	RB40	1	1						

For use with De-luxe type bucket seats



A2986

SERVICE PARTS LIST

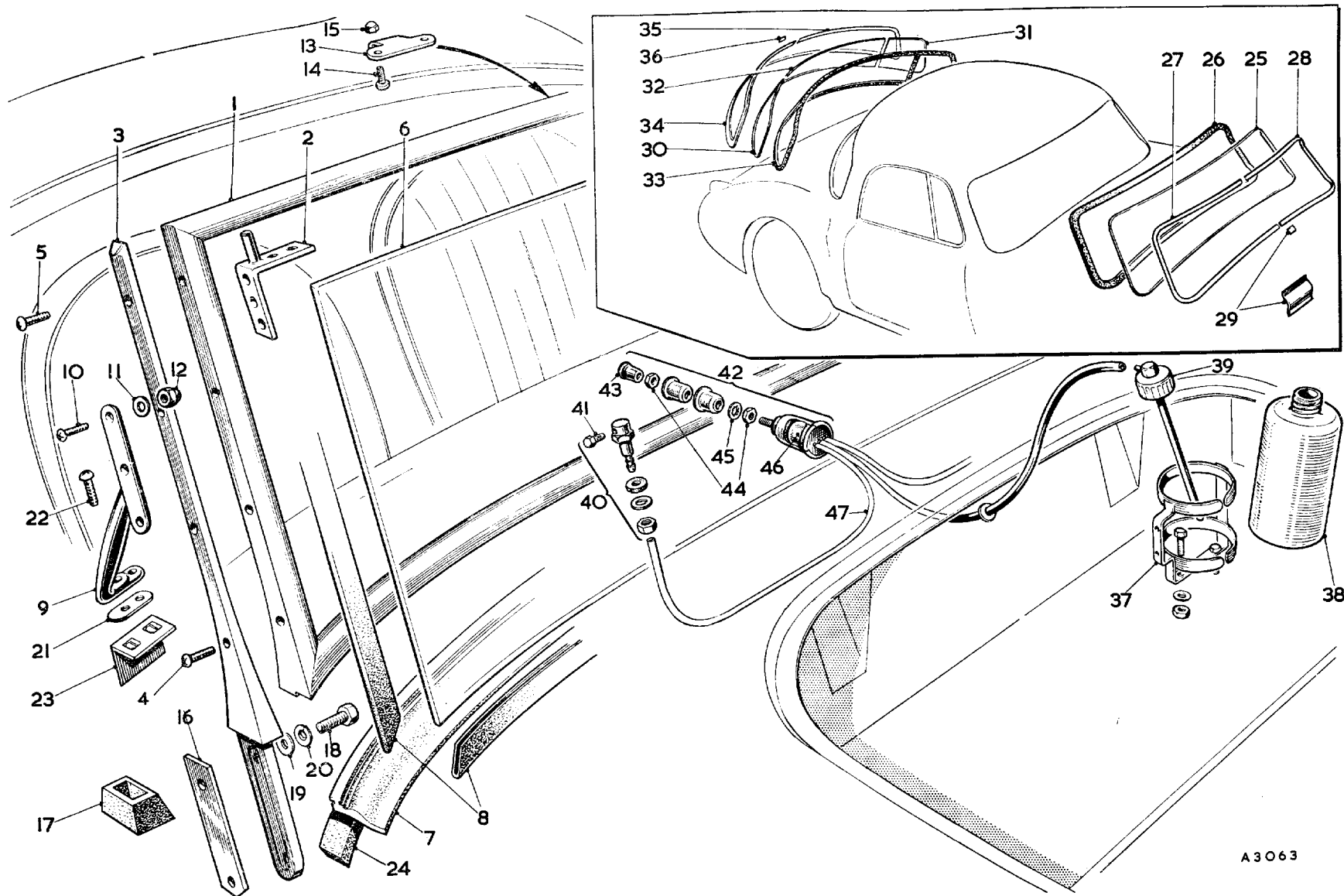
THE M.G. Series MGA TWIN CAM

Item No.	DESCRIPTION	Commencing (C) 501		Qty. per Vehicle		Unit of Issue	Type of Vehicle	MODIFICATIONS			REMARKS
		Part Number	Illus. No.	RHD	LHD			New Part Number	Change Point	Amdt. No.	
	BOOT LID FITTINGS										
1	Hinge—boot lid—R.H.	AFH1515	RC1	1	1						
2	Hinge—boot lid—L.H.	AFH1514		1	1						
3	Screw fixing hinge	AFH2587	RC2	12	12						
4	Nut for screw	FNZ103	RC3	2	2						
5	Washer for screw (plain)	PWZ203	RC4	12	12						
6	Washer for screw (spring)	LWZ203	RC5	12	12						
7	Plate—boot lid striking	AFH1516	RC6	1	1						
8	Screw—fixing plate	CMZ0310	RC7	2	2						
9	Nut for screw	FNZ103	RC8	2	2						
10	Washer for nut (plain)	PWZ203	RC9	2	2						
11	Washer for nut (spring)	LWZ203	RC10	2	2						
12	Bracket—striking plate	AFH1578	RC11	1	1						
13	Screw fixing bracket	AFH2587	RC12	3	3						
14	Washer for screw (plain)	PWZ203	RC13	3	3						
15	Washer for screw (spring)	LWZ203	RC14	3	3						
16	Lock assembly—boot lid	AFH1519	RC15	1	1						
17	Screw fixing lock	PMZ0308	RC16	2	2						
18	Nut for screw	FNZ103	RC17	2	2						
19	Washer for nut (spring)	LWZ203	RC18	2	2						
20	Screw fixing lock	PTZ603	RC19	1	1						
21	Packing—lock support bracket	AFH2622	RC20	1	1						
22	Rod—boot lock release (front)	AFH1758	RC21	1	1						
23	Rod—boot lock release (rear)	AFH1759	RC22	1	1						
24	Grommet for release rod	133221	RC23	1	1						
25	Washer for release rod (plain)	PWZ203	RC24	3	3						
26	Washer for release rod (spring)	128900	RC25	3	3						
27	Lever—boot lock actuating	AFH1747	RC26	1	1						
28	Plate—release rod guide	133222	RC27	1	1						
29	Screw fixing guide plate	PMZ0208	RC28	2	2						
30	Nut for screw	CNZ102	RC29	2	2						
31	Washer for nut (plain)	PWZ202	RC30	2	2						
32	Washer for nut (spring)	LWZ202	RC31	2	2						
33	Channel—release rod retaining	AFH1789	RC32	1	1						
34	Screw fixing channel	CTZ403	RC33	2	2						
35	Nut—actuating lever pivot	AFH1756	RC34	1	1						
36	Rod—boot lid support	LNZ104	RC35	1	1						
37	Washer for support rod (plain)	PWZ105	RC36	1	1						
38	Clip—boot lid support rod	128978	RC37	1	1						
39	Screw fixing clip	PTZ603	RC38	1	1						
40	Spring—boot lid support rod	139282	RC39	1	1						
41	Rubber—boot lid sealing	AFH1753	RC40	1	1						

SERVICE PARTS LIST

THE M.G. Series MGA TWIN CAM

Item No.	DESCRIPTION	Commencing (C) 501		Qty. per Vehicle		Unit of Issue	Type of Vehicle	MODIFICATIONS			REMARKS
		Part Number	Illus. No.	RHD	LHD			New Part Number	Change Point	Amdt. No.	
	Boot Lid Fittings—continued										
1	Surround—boot lid badge	AHH5261	RC41	1	1						
2	Letter 'M'	ADH2475	RC42	1	1						
3	Letter 'G'	ADH2476	RC43	1	1						
4	Spire nut—surround and badge	PFS103	RC44	13	13						
5	Motif—'Twin Cam'	AHH5729	RC45	1	1						
6	Spire nut for motif	PFS104	RC46	2	2						
7	Seal—petrol filler	AHH5260	RC47	1	1						
8	Plate—petrol filler seal cover	AHH5259	RC48	1	1						
9	Screw fixing seal and plate	PMZ0308	RC49	3	3						
10	Washer for screw (special)	AJD7212	RC50	3	3						
11	Washer for screw (spring)	LWZ203	RC51	3	3						
12	Clamp—spare wheel	H7336	RC52	1	1						
13	Bolt for spare wheel clamp	AHH5349	RC53	1	1						
14	Nut for bolt—wing	AHH5351	RC54	1	1						
15	Pin—spare wheel fixing cross	AHH5350	RC55	1	1						
16	Packing—spare wheel (felt)	AHH5459	RC56	2	2						
17	Clip—starting-handle	5843	RC57	3	3						
18	Screw fixing clip	PPZ0305	RC58	3	3						
19	Washer for screw (spring)	LWZ203	RC59	3	3						



A3063

SERVICE PARTS LIST

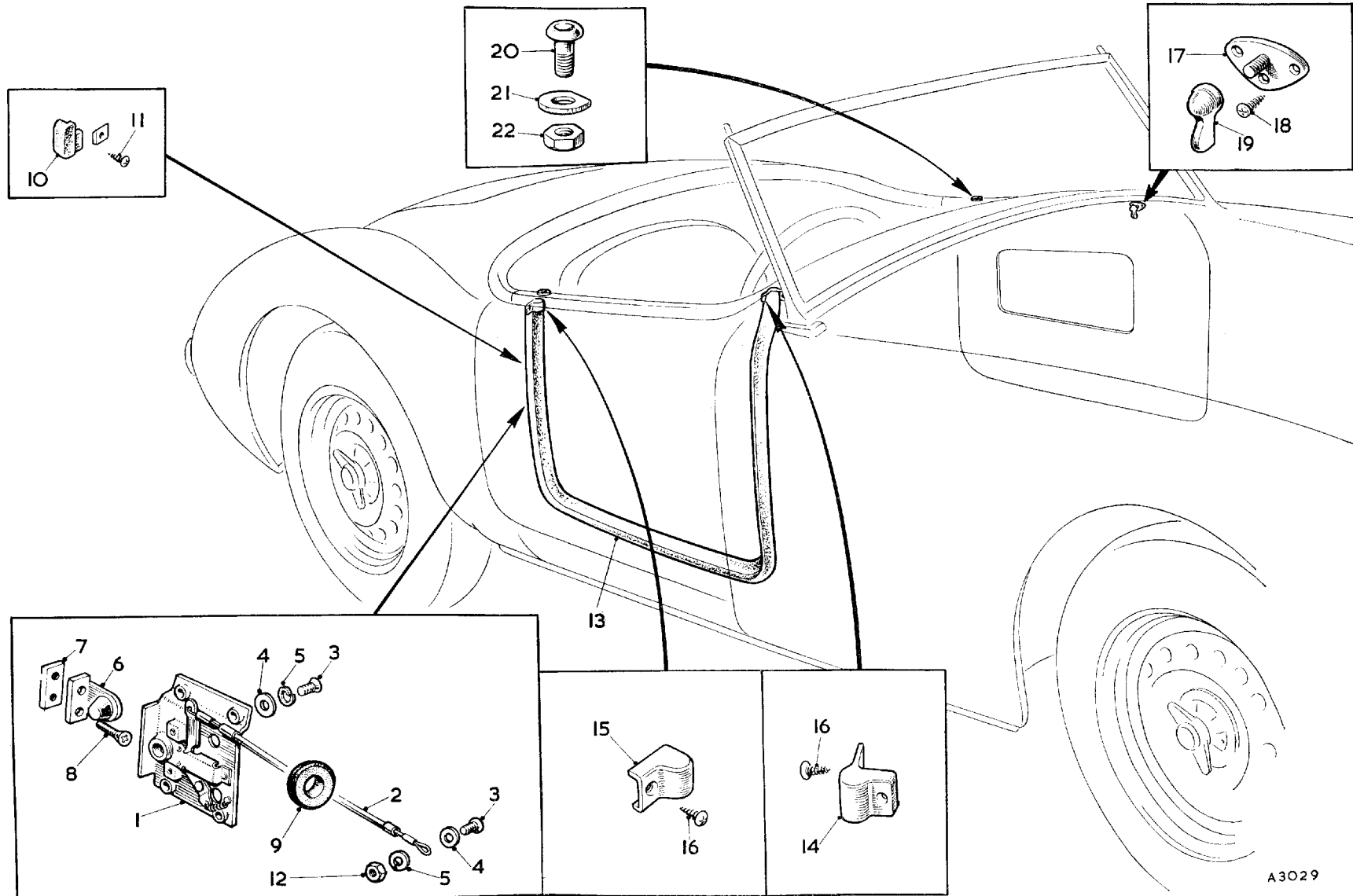
THE M.G. Series MGA TWIN CAM

Item No.	DESCRIPTION	Commencing (C) 501		Qty. per Vehicle		Unit of Issue	Type of Vehicle	MODIFICATIONS			REMARKS
		Part Number	Illus. No.	RHD	LHD			New Part Number	Change Point	Amdt. No.	
	WINDSCREEN										
1	Windscreen assembly	AFH1716		1	1			AFH6768] Com. (C) 2193		
2	Frame	AFH1717	RD1	1	1			AFH6769			
3	Peg—hood attachment—R.H.	AFH2630	RD2	1	1						
4	Peg—hood attachment—L.H.	AFH2631		1	1						
5	Stanchion—R.H.	AFH1718	RD3	1	1						
6	Stanchion—L.H.	AFH1719		1	1						
7	Screw fixing stanchion (long)	RMP0312	RD4	2	2						
8	Screw fixing stanchion (short)	RMP0310	RD5	6	6						
9	Glass—windscreen	AFH1720	RD6	1	1						
10	Apron (rubber)	AFH1721	RD7	1	1						
11	Rubber—glazing	AFH1724	RD8	1	1						
12	Handle—grab—R.H.	AFH1722	RD9	1	1						
13	Handle—grab—L.H.	AFH1723		1	1						
14	Screw fixing handle	CMP0307	RD10	6	6						
15	Washer for screw (plain)	PWZ203	RD11	6	6		Tourer				
16	Nut for screw (dome)	AFH2809	RD12	6	6						
17	Catch—hood centre		RD13	1	1						
18	Screw fixing catch		RD14	2	2			AFH6773] Com. (C) 2193		
19	Nut for screw (domed)		RD15	2	2			AFH5457			
20	Packing—stanchion (fibre)		RD16	4	4			AFH5458			
21	Grommet—stanchion to body	AFH2547	RD17	4	4						Fit as required
22	Bolt—stanchion to body	AFH1726	RD18	2	2						
23	Washer for screw (plain)	HBZ0610	RD19	4	4						
24	Washer for screw (spring)	PWZ106	RD20	4	4						
25	Packing—grab handle	LWZ206	RD21	4	4						
26	Screw—grab handle to body (3/4")	AFH1687	RD22	2	2						Quantity reduced at (C) 2193
27	Screw—grab handle to body (1")	RPP0312		4/2	4/2						
28	Screw—grab handle to body (1")			2	2			RPP0316	Com. (C) 2193		
29	Reinforcement assembly—grab handle	AFH1787	RD23	2	2						
30	Packing—windscreen	AFH2868	RD24	2	2						
31	Glass—windscreen	AFH3830	RD25	1	1						
32	Rubber—windscreen surround	AFH3831	RD26	1	1						
33	Finisher—windscreen surround—R.H.	AFH3832	RD27	1	1						
34	Finisher—windscreen surround—L.H.	AFH3833	RD28	1	1						
35	Jointing piece—windscreen finisher	AFH3778	RD29	2	2						
	BACK-LIGHT										
35	Glass—back-light—side—R.H.	AFH3834	RD30	1	1		Coupe				
36	Glass—back-light—side—L.H.	AFH3835	RD31	1	1						
37	Glass—back-light—centre	AFH3836	RD32	1	1						
38	Rubber—back-light surround	AFH3837	RD33	1	1						
39	Finisher—back-light surround—R.H.	AFH3838	RD34	1	1						
40	Finisher—back-light surround—L.H.	AFH3839	RD35	1	1						
41	Jointing piece—back-light finisher	AFH3778	RD36	2	2						

SERVICE PARTS LIST

THE M.G. Series MGA TWIN CAM

Item No.	DESCRIPTION	Commencing (C) 501		Qty. per Vehicle		Unit of Issue	Type of Vehicle	MODIFICATIONS			REMARKS
		Part Number	Illus. No.	RHD	LHD			New Part Number	Change Point	Amdt. No.	
	WINDSCREEN WASHER (Optional Extra)										
1	Windscreen washer kit	AHH5798		1	1						
2	Bracket	7H9781	RD37	1	1						
3	Container (20 oz.)	7H9779	RD38	1	1] Small cap
4	Cap assembly	7H9785	RD39	1	1						
5	Container (20 oz.)	13H227		1	1] Large cap
6	Cap assembly	37H9716		1	1						
7	Jet mounting assembly	27H9622	RD40	2	2						
8	Jet	27H9623	RD41	2	2						
9	Control assembly	27H9654	RD42	1	1						
10	Knob	27H9625	RD43	1	1						
11	Back nut	27H9655	RD44	2	2						
12	Washer (shakeproof)	7H9782	RD45	1	1						
13	Bulb (rubber)	27H9626	RD46	1	1						
14	Tubing	37H9708	RD47	A/R	A/R	50'					

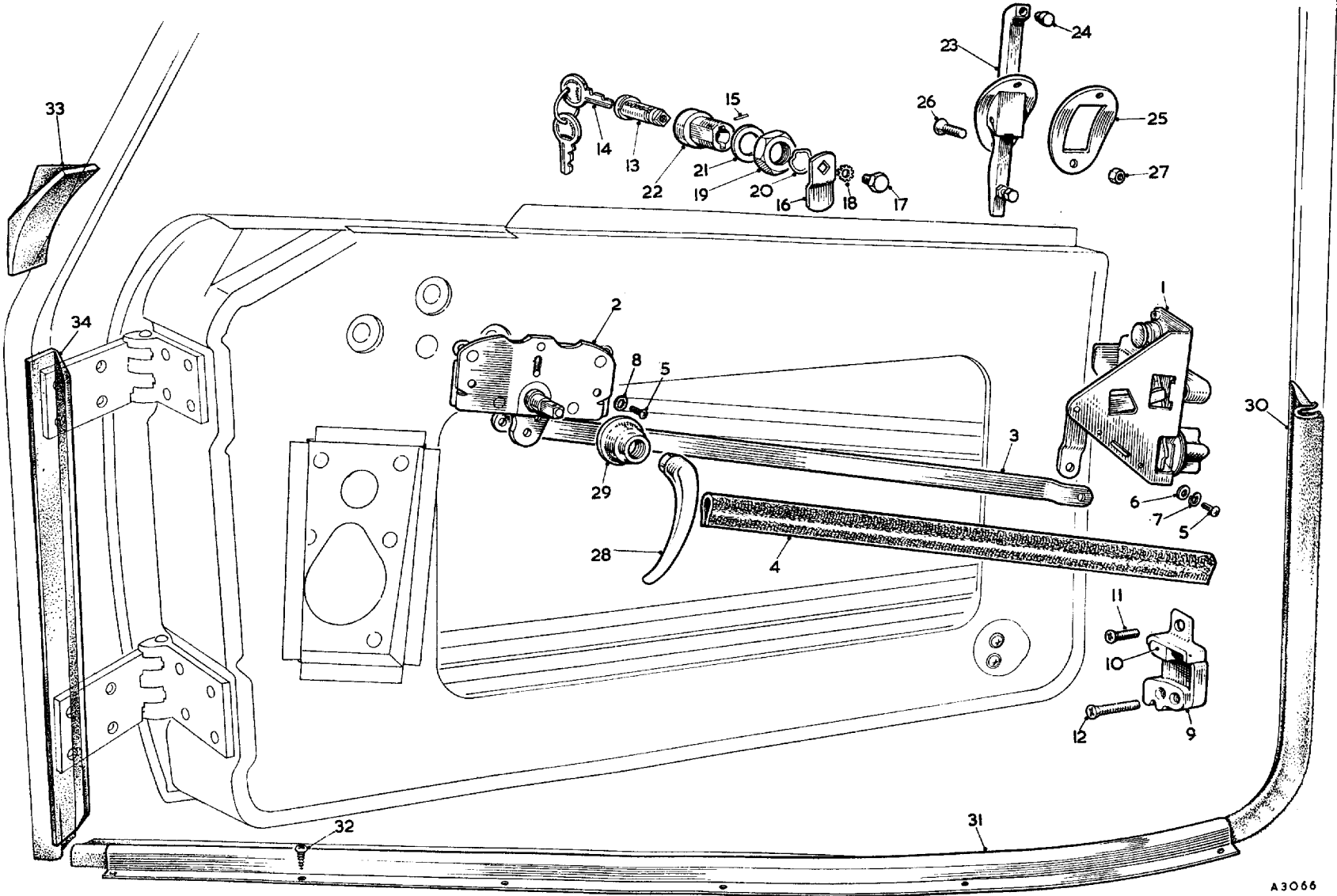


A3029

SERVICE PARTS LIST

THE M.G. Series MGA TWIN CAM

Item No.	DESCRIPTION	Commencing (C) 501		Qty. per Vehicle		Unit of Issue	Type of Vehicle	MODIFICATIONS			REMARKS
		Part Number	Illus. No.	RHD	LHD			New Part Number	Change Point	Amdt. No.	
	DOOR FITTINGS										
1	Lock assembly—door—R.H.	AFH1682	RE1	1	1] Tourer				
2	Lock assembly—door—L.H.	AFH1683		1	1						
3	Cable—operating	7H9958	RE2	2	2						
4	Screw fixing lock	PPZ0308	RE3	10	10						
5	Washer for screw (plain)	PWZ203	RE4	10	10						
6	Washer for screw (spring)	IWZ203	RE5	10	10						
7	Plate—striking	AFH1684	RE6	2	2						
8	Plate—striker tapping	AFH1685	RE7	2	2						
9	Screw fixing striker	CPZ0412	RE8	4	4						
10	Grommet—door lock release (rubber)	RFN110	RE9	2	2						
11	Buffer assembly—door	MB19556	RE10	4	4						
12	Screw fixing buffer	AJD2245ZP	RE11	4	4						
13	Nut for door lock cable	FNZ103	RE12	2	2						
14	Rubber and clip assembly—door sealing (Red)	AFH2451	RE13	2	2						
15	Rubber and clip assembly—door sealing (Black)	AFH2455		2	2						
16	Rubber and clip assembly—door sealing (Green)	AFH2452		2	2						
17	Rubber and clip assembly—door sealing (Grey)	AFH2453		2	2					Fin. (C) 2192	
18	Finisher—hinge pillar—door seal—R.H.	AFH2574	RE14	1	1						
19	Finisher—hinge pillar—door seal—L.H.	AFH2575		1	1						
20	Finisher—shut pillar—door seal—R.H.	AFH2576	RE15	1	1						
21	Finisher—shut pillar—door seal—L.H.	AFH2577		1	1						
22	Screw fixing finisher	RTP605	RE16	8	8						
23	Stud fixing sidescreen	MB21959	RE17	2	2						
24	Screw fixing sidescreen stud	RTP805	RE18	6	6						
25	Handle—sidescreen locking	MB19331	RE19	2	2						
26	Knob—sidescreen locking (knurled)			2	2				AFH6620	Fin. (C) 2192 Com. (C) 2193	
27	Socket—sidescreen peg	AFH1744	RE20	2	2						
28	Washer for sidescreen peg socket (special)	AFH2579	RE21	2	2						
29	Nut for sidescreen peg socket	FNZ208	RE22	2	2						



A3066

SERVICE PARTS LIST

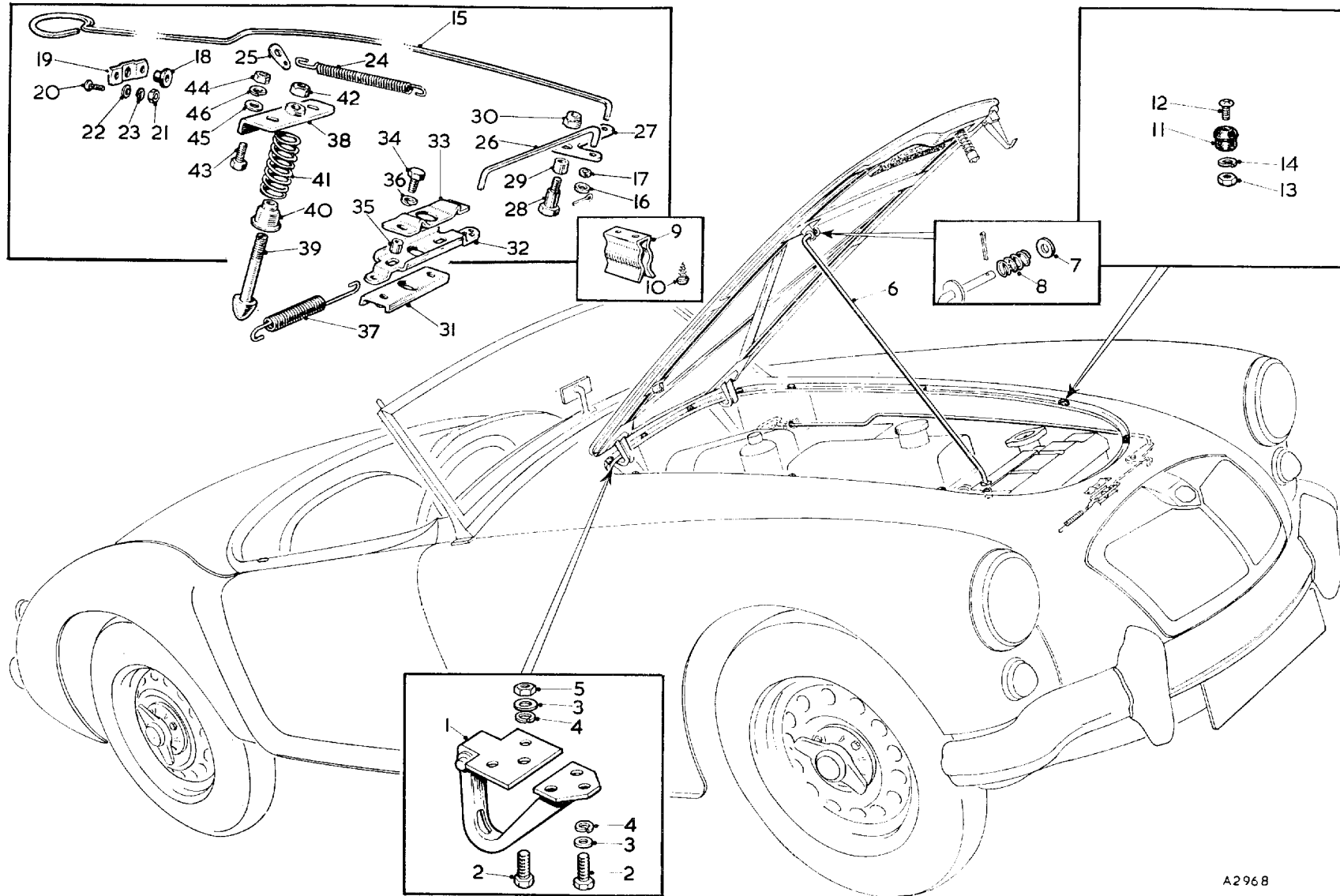
THE M.G. Series MGA TWIN CAM

Item No.	DESCRIPTION	Commencing (C) 501		Qty. per Vehicle		Unit of Issue	Type of Vehicle	MODIFICATIONS			REMARKS
		Part Number	Illus. No.	RHD	LHD			New Part Number	Change Point	Amdt. No.	
	Door Fittings—continued										
1	Lock assembly—door—R.H.	AFH3894		1	1		Coupe				
2	Lock assembly—door—L.H.	AFH3895		1	1						
3	Lock—R.H.	17H9736	RF1	1	1						
4	Lock—L.H.	17H9737		1	1						
5	Remote control mechanism—R.H.	17H9738	RF2	1	1						
6	Remote control mechanism—L.H.	17H9739		1	1						
7	Link—connecting	17H9740	RF3	2	2						
8	Sleeve—anti-rattle	17H9735	RF4	2	2						
9	Screw fixing lock	PPZ0306	RF5	14	14						
10	Washer for screw (plain)	PWZ203	RF6	6	6						
11	Washer for screw (spring)	LWZ203	RF7	6	6						
12	Washer for screw (shakeproof)	AJD7623	RF8	8	8						
13	Plate—striker—R.H.	AFH3896	RF9	1	1						
14	Plate—striker—L.H.	AFH3897		1	1						
15	Plate—striker tapping	AFH3792	RF10	2	2						
16	Screw fixing striker (3/8")	CPZ0412	RF11	2	2						
17	Screw fixing striker (1/4")	CPZ0420	RF12	4	4						
18	Lock assembly—private	AFH3893		1	1						
19	Lock with keys (cylinder)	17H9745	RF13	1	1						
20	Key	ANK4646	RF14	2	2						
21	Peg—retaining	17H9980	RF15	1	1						
22	Latch	17H9744	RF16	1	1						
23	Bolt—latch	AKC453	RF17	1	1						
24	Washer for bolt	17H9741	RF18	1	1						
25	Locknut	AKC455	RF19	1	1						
26	Washer (waved)	AKC454	RF20	1	1						
27	Washer—seating	AKC451	RF21	1	1						
28	Housing—lock	AKC458	RF22	1	1						
29	Handle—door	AFH3796	RF23	2	2						
30	Insert—door handle (rubber)	17H9989	RF24	2	2						
31	Washer—seating	AFH4513	RF25	2	2						
32	Screw fixing handle	RMP0308	RF26	4	4						
33	Nut for screw	LNZ203	RF27	4	4						
34	Handle—remote control	ADH5482	RF28	2	2						
35	Escutcheon assembly—handle	ADB709	RF29	2	2						
36	Rubber and clip assembly—door sealing (Red)	AFH4562	RF30	2	2						
37	Rubber and clip assembly—door sealing (Black)	AFH4565		2	2						
38	Rubber and clip assembly—door sealing (Green)	AFH4563		2	2						
39	Rubber and clip assembly—door sealing (Grey)	AFH4564		2	2					Fin. (C) 2291	
40	Retainer—door sealing rubber—R.H.	AFH2722	RF31	1	1						
41	Retainer—door sealing rubber—L.H.	AFH2723		1	1						
42	Screw fixing retainer	AJD8172	RF32	12	12						
43	Pad—sealing—'A' post—R.H.	AFH4822	RF33	1	1						
44	Pad—sealing—'A' post—L.H.	AFH4823		1	1						
45	Sealing rubber—door hinge pillar	AFH4819	RF34	2	2						

SERVICE PARTS LIST

THE M.G. Series MGA TWIN CAM

Item No.	DESCRIPTION	Commencing (C) 501		Qty. per Vehicle		Unit of Issue	Type of Vehicle	MODIFICATIONS			REMARKS
		Part Number	Illus. No.	RHD	LHD			New Part Number	Change Point	Amdt. No.	
	Windows—continued										
1	Channel assembly—R.H. (bottom)	AFH4866	RG28	1	1		Coupe				
2	Channel assembly—L.H. (bottom)	AFH4867		1	1						
3	Bracket—corner (front)	AFH4868	RG29	2	2						
4	Screw fixing bracket (front)	CMZ0204	RG30	8	8						
5	Screw fixing bracket (rear)	CMZ0204	RG31	4	4						
6	Rubber surround—R.H.	AFH4870	RG32	1	1						
7	Rubber surround—L.H.	AFH4871		1	1						
8	Blending piece (front)	AFH4869	RG33	2	2						
9	Screw fixing blending piece	17H9934	RG34	2	2						
10	Screw fixing blending piece	17H9935	RG35	4	4						
11	Glass—door	AFH4453	RG36	2	2						
12	Weatherstrip—window frame	AFH4455	RG37	2	2						
13	Weatherstrip—garnish rail	AFH4456	RG38	2	2						
14	Packing—weatherstrip finisher	AFH4569	RG39	2	2						
15	Finisher—weatherstrip—R.H.	AFH4458	RG40	1	1						
16	Finisher—weatherstrip—L.H.	AFH4459		1	1						
17	Regulator assembly—R.H.	AFH3898	RG41	1	1						
18	Regulator assembly—L.H.	AFH3899		1	1						
19	Screw fixing regulator	HZS0404	RG42	12	12						
20	Washer for screw (plain)	PWZ204	RG43	12	12						
21	Washer for screw (spring)	LWZ204	RG44	12	12	12					
22	Channel—glass lower	AFH3900	RG45	2	2						
23	Strip—glazing	AFH4454	RG46	2	2						
24	Buffer—door glass stop (rubber)	AFH4568	RG47	2	2						
25	Handle—window regulator	ADH5481	RG48	2	2						
26	Escutcheon assembly—handle	ADB709	RG49	2	2						



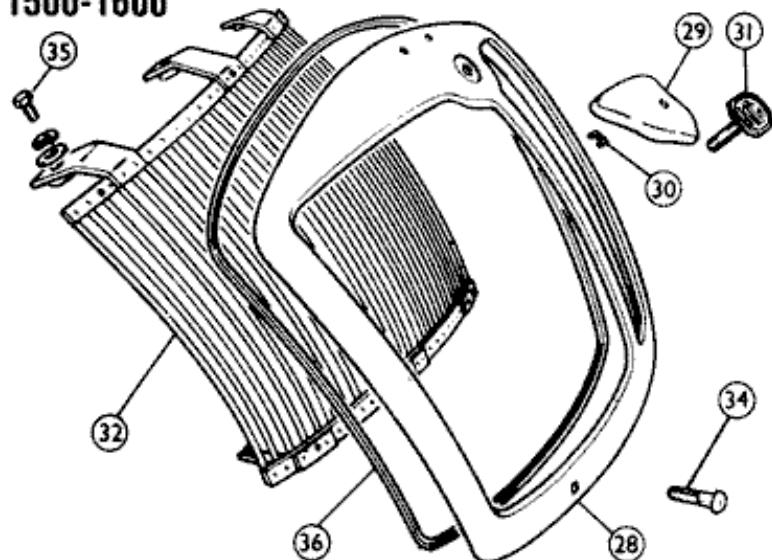
A2968

SERVICE PARTS LIST

THE M.G. Series MGA TWIN CAM

Item No.	DESCRIPTION	Commencing (C) 501		Qty. per Vehicle		Unit of Issue	Type of Vehicle	MODIFICATIONS			REMARKS
		Part Number	Illus. No.	RHD	LHD			New Part Number	Change Point	Amdt. No.	
	BONNET FITTINGS										
1	Hinge—bonnet—R.H.	AFH1514	RH1	1	1						
2	Hinge—bonnet—L.H.	AFH1515		1	1						
3	Screw fixing hinge	AFH2587	RH2	12	12						
4	Washer for screw (plain)	PWZ203	RH3	12	12						
5	Washer for screw (spring)	LWZ203	RH4	12	12						
6	Nut for screw	FNZ103	RH5	2	2						
7	Rod—bonnet support	AFH1755	RH6	1	1						
8	Washer for rod (plain)	PWZ105	RH7	1	1						
9	Spring for rod	139282	RH8	1	1						
10	Clip for rod	AHH5460	RH9	1	1						
11	Screw fixing clip	PTZ803	RH10	2	2						
12	Buffer—bonnet	271601	RH11	10	10						
13	Screw fixing buffer	PMZ0208	RH12	10	10						
14	Nut for screw	CNZ102	RH13	10	10						
15	Washer for nut (spring)	LWZ202	RH14	10	10						
16	Rod—bonnet catch control	AFH1757	RH15	1	1						
17	Washer for rod (plain)	PWZ203	RH16	3	3						
18	Washer for rod (spring)	128900	RH17	3	3						
19	Grommet—dash panel	133221	RH18	1	1						
20	Plate—grommet retaining	133222	RH19	1	1						
21	Screw fixing plate	PMZ0208	RH20	2	2						
22	Nut for screw	CNZ102	RH21	2	2						
23	Washer for nut (plain)	PWZ202	RH22	2	2						
24	Washer for nut (spring)	LWZ202	RH23	2	2						
25	Spring (anti-rattle)	95219	RH24	1	1						
26	Plate—spring tension	ADA2463	RH25	1	1						
27	Rod—lever to slider control	133213	RH26	1	1						
28	Lever—control rod	AFH1654	RH27	1	1						
29	Bolt—lever pivot	AFH1655	RH28	1	1						
30	Distance tube for bolt	AFH1675	RH29	1	1						
31	Nut for bolt	LNZ103	RH30	1	1						
32	Support assembly—slider	ADH456	RH31	1	1						
33	Slider—bonnet catch	ADA461	RH32	1	1						
34	Plate—guide	ADA463	RH33	1	1						
35	Bolt fixing bonnet catch	HBZ0408	RH34	2	2						
36	Distance tube for bolt	ADA464	RH35	2	2						
37	Washer for bolt (spring)	LWZ204	RH36	2	2	12					
38	Spring—tension	ADA466	RH37	1	1						

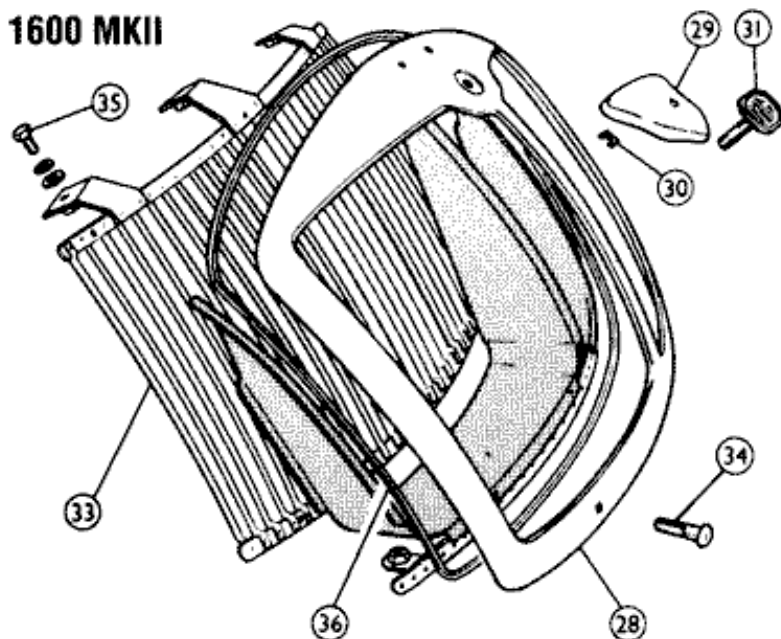
1500-1600

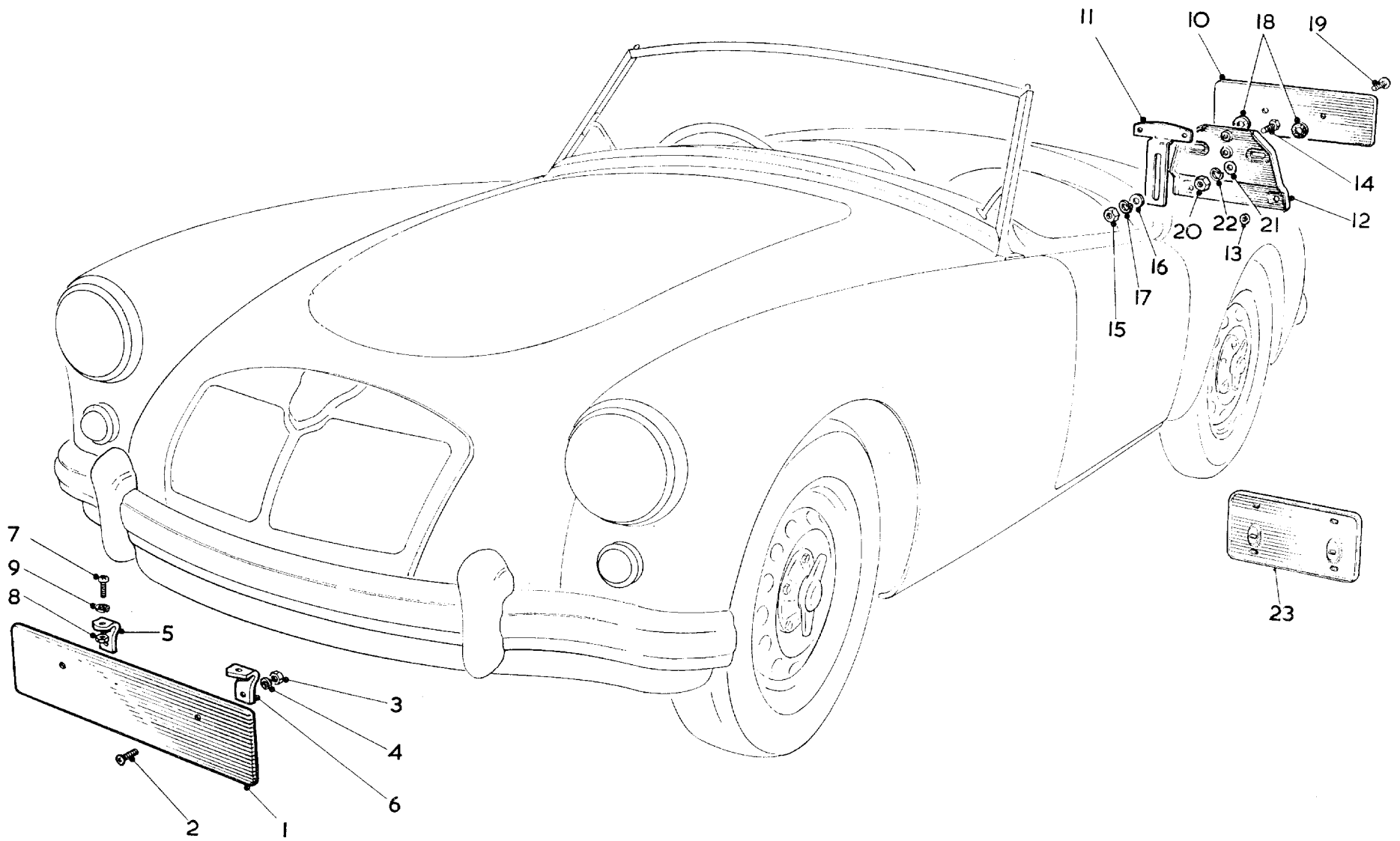


This page is added, was not part of the original SPL.

Item	Part No.	Description
	ARH52	SHELL & GRILLE, flat (1500-1600)
	ARH55	SHELL & GRILLE, recessed (MK-II)
28	ARH901	SHELL, fits both grilles
29	ARH902	FALSE NOSE
30	PFS106	SPEED NUT (false nose) (2 req'd)
31	ARH900	BADGE
32	ARH883	GRILLE, flat (1500-1600)
33	ARH1700	GRILLE, recessed (MkII)
34	ARH899	BOLT, grille to shell (2 req'd)
	GHF206	NUT (5 req'd)
35	SH604041	SCREW, grille to body (6 req'd)
36	AHH5179	GRILLE PIPING

1600 MKII



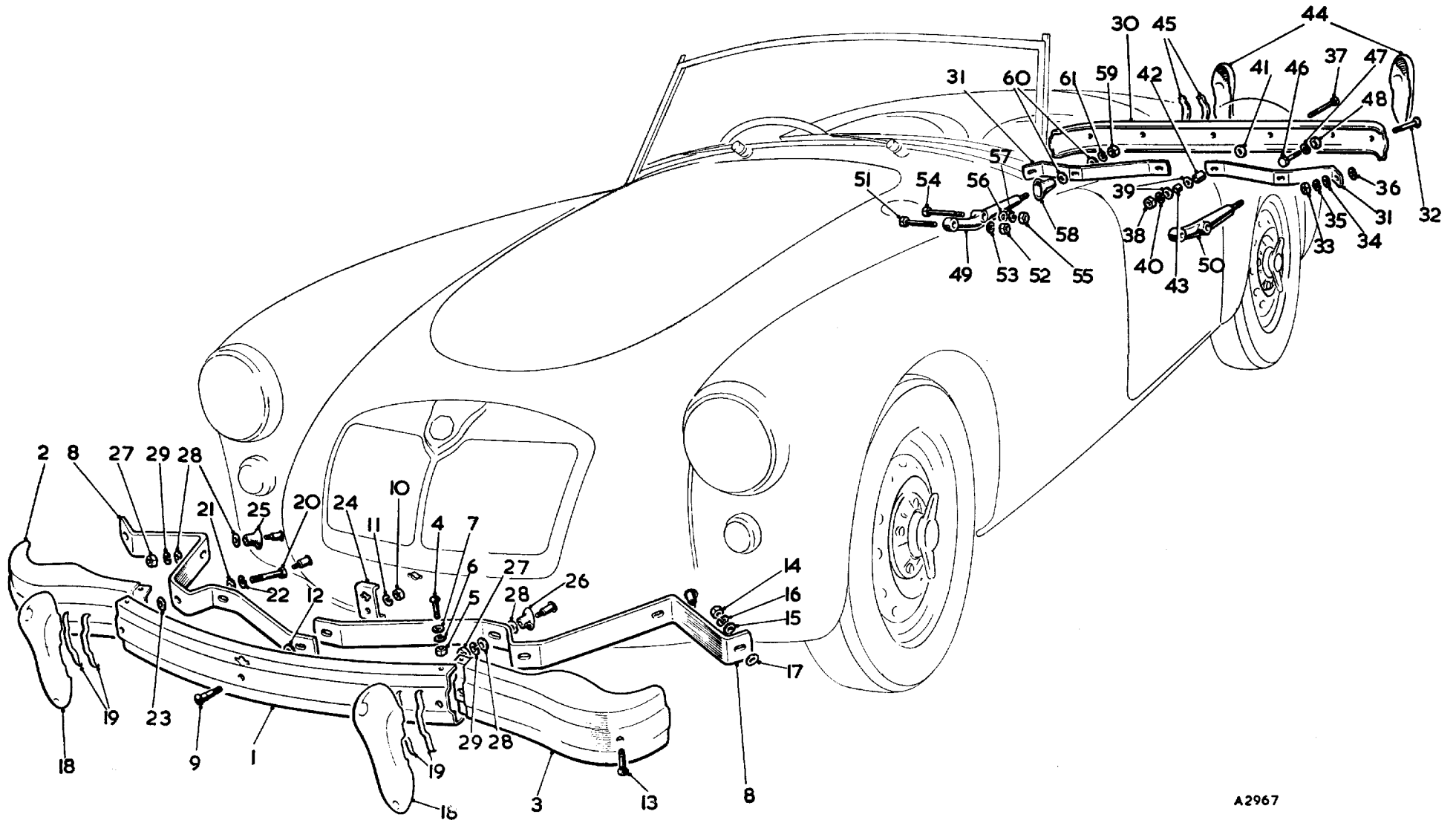


A2589

SERVICE PARTS LIST

THE M.G. Series MGA TWIN CAM

Item No.	DESCRIPTION	Commencing (C) 501		Qty. per Vehicle		Unit of Issue	Type of Vehicle	MODIFICATIONS			REMARKS
		Part Number	Illus. No.	RHD	LHD			New Part Number	Change Point	Amdt. No.	
	NUMBER-PLATES AND FITTINGS										
1	Plate—number (front)	ACH5835	RJ1	1	1						
2	Screw—number-plate to bracket	PMZ0410	RJ2	2	2						
3	Nut for screw	FNZ104	RJ3	2	2						
4	Washer for nut (spring)	LWZ204	RJ4	2	2	12					
5	Bracket for number-plate—R.H.	AHH5161	RJ5	1	1						
6	Bracket for number-plate—L.H.	AHH5162	RJ6	1	1						
7	Screw—bracket to bumper	PMZ0408	RJ7	2	2						
8	Nut for screw	FNZ104	RJ8	2	2						
9	Washer for nut (spring)	LWZ204	RJ9	2	2	12					
10	Plate—number (rear)	ADG474	RJ10	1	1						
11	Bracket—lamp	136271	RJ11	1	1						
12	Bracket—number-plate mounting	AHH5151	RJ12	1	1						
13	Washer—number-plate (rubber)	500946	RJ13	4	4						
14	Screw—lamp bracket to mounting bracket	HZS0505	RJ14	2	2						
15	Locknut for screw	FNZ205	RJ15	2	2						
16	Washer for locknut (plain)	PWZ105	RJ16	2	2						
17	Washer for locknut (spring)	LWZ205	RJ17	2	2	24					
18	Washer—number-plate to bracket (packing)	AHH5712	RJ18	2	2						
19	Screw—number-plate to bracket	PMZ0410	RJ19	2	2						
20	Nut for screw	FNZ104	RJ20	2	2						
21	Washer for nut (plain)	PWZ104	RJ21	2	2	12					
22	Washer for nut (spring)	LWZ204	RJ22	2	2	12					
23	Support—number-plate	(N. AMERICA) AHA5211	RJ23		1						



A2967

Item No.	DESCRIPTION	Commencing (C) 501		Qty. per Vehicle		Unit of Issue	Type of Vehicle	MODIFICATIONS			REMARKS
		Part Number	Illus. No.	RHD	LHD			New Part Number	Change Point	Amdt. No.	
	BUMPERS AND FITTINGS										
1	Bumper assembly (front)	N.S.P.		1	1						
2	Bar—centre	AHH5474	RK1	1	1						
3	Bar—corner—R.H.	AHH5486	RK2	1	1						
4	Bar—corner—L.H.	AHH5487	RK3	1	1						
5	Bolt—corner bar to centre bar	AHH5491	RK4	2	2						
6	Nut for bolt	FNZ105	RK5	2	2						
7	Washer for nut (spring)	LWZ205	RK6	2	2						
8	Washer for nut (special)	AHH5492	RK7	2	2						
9	Spring bar	AHH5476	RK8	2	2						
10	Bolt—spring bar to centre bar	AHH5479	RK9	1	1						
11	Nut for bolt	FNZ106	RK10	1	1						
12	Washer for nut (spring)	LWZ206	RK11	1	1						
13	Washer for nut (special)	AHH5494	RK12	1	1						
14	Bolt—spring bar to corner bar	AHH5480	RK13	2	2						
15	Nut for bolt	FNZ106	RK14	2	2						
16	Washer for nut (plain)	PWZ106	RK15	2	2						
17	Washer for nut (spring)	LWZ206	RK16	2	2						
18	Washer for nut (special)	AHH5494	RK17	2	2						
19	Over-rider assembly	AHH5478	RK18	2	2						
20	Moulding (P.V.C.)	AHH5488	RK19	4	4						
21	Bolt—over-rider to bumper bar	HBZ0620	RK20	2	2						
22	Washer for bolt (plain)	PWZ106	RK21	2	2						
23	Washer for bolt (spring)	LWZ206	RK22	2	2						
24	Washer for bolt (special)	AHH5494	RK23	2	2						
25	Bracket—starting-handle	AHH5477	RK24	1	1						
26	Grommet for outer stud	AHH5163	RK25	2	2						
27	Grommet for inner stud	AHH5164	RK26	2	2						
28	Nut—spring bar to stud	FNZ108	RK27	4	4						
29	Washer for nut (plain)	PWZ208	RK28	8	8						
30	Washer for nut (spring)	LWZ208	RK29	4	4						
31	Bumper assembly (rear)	N.S.P.		1	1						
32	Bar—bumper	AHH5481	RK30	1	1						
33	Spring bar	AHH5482	RK31	2	2						
34	Bolt—spring bar to bumper bar (outer)	AHH5480	RK32	2	2						
35	Nut for bolt	FNZ106	RK33	2	2						
36	Washer for nut (plain)	PWZ106	RK34	2	2						
37	Washer for nut (spring)	LWZ206	RK35	2	2						
38	Washer for nut (special)	AHH5494	RK36	2	2						
39	Bolt—spring bar to bumper bar (inner)	AHH5485	RK37	2	2						
40	Nut for bolt	FNZ106	RK38	2	2						
41	Washer for nut (plain)	PWZ206	RK39	4	4						
42	Washer for nut (spring)	LWZ206	RK40	2	2						
43	Washer for nut (special)	AHH5494	RK41	2	2						
44	Distance piece for bolt	AHH5483	RK42	2	2						
45	Distance tube for bolt	AHH5484	RK43	2	2						
46	Over-rider assembly	AHH5478	RK44	2	2						
47	Moulding (P.V.C.)	AHH5488	RK45	4	4						
48	Bolt—over-rider to bumper bar	HBZ0616	RK46	2	2						
49	Washer for bolt (spring)	LWZ206	RK47	2	2						
50	Washer for bolt (special)	AHH5494	RK48	2	2						

SERVICE PARTS LIST

THE M.G. Series MGA TWIN CAM

Item No.	DESCRIPTION	Commencing (C) 501		Qty. per Vehicle		Unit of Issue	Type of Vehicle	MODIFICATIONS			REMARKS
		Part Number	Illus. No.	RHD	LHD			New Part Number	Change Point	Amdt. No.	
	Bumpers and Fittings—continued										
1	Bracket—rear bumper mounting—R.H.	AHH5093	RK49	1	1						
2	Bracket—rear bumper mounting—L.H.	AHH5094	RK50	1	1						
3	Bolt—bracket to frame (3 $\frac{3}{4}$ ")	HBZ0730	RK51	2	2						
4	Nut for bolt	FNZ107	RK52	2	2						
5	Washer for nut (spring)	LWZ207	RK53	2	2						
6	Bolt—bracket to frame (4")	HBZ0732	RK54	2	2						
7	Nut for bolt	FNZ107	RK55	2	2						
8	Washer for nut (plain)	PWZ107	RK56	2	2						
9	Washer for nut (spring)	LWZ207	RK57	2	2						
10	Grommet for bracket	130388	RK58	2	2						
11	Nut—spring bar to bracket	FNZ108	RK59	2	2						
12	Washer for nut (plain)	PWZ208	RK60	4	4						
13	Washer for nut (spring)	LWZ208	RK61	2	2						