

A2142

SERVICE PARTS LIST

THE M.G. Series MGA TWIN CAM

Item No.	DESCRIPTION	Commencing (C) 501		Qty. per Vehicle		Unit of Issue	Type of Vehicle	MODIFICATIONS			REMARKS
		Part Number	Illus. No.	RHD	LHD			New Part Number	Change Point	Amdt. No.	
	SEATS AND SEAT FITTINGS										
1	Seat assembly (less cushion)—bucket—R.H. (Red with Red piping)	AFH2456	RL1	1	1						
2	Seat assembly (less cushion)—bucket—R.H. (Black with Red piping)	AFH5852		1	1						
3	Seat assembly (less cushion)—bucket—R.H. (Black with White piping)	AFH5858		1	1						
4	Seat assembly (less cushion)—bucket—R.H. (Green with Green piping)	AFH5848		1	1						
5	Seat assembly (less cushion)—bucket—R.H. (Grey with Grey piping)	AFH5850		1	1						
6	Seat assembly (less cushion)—bucket—R.H. (Black with Green piping)	AFH5854		1	1				Fin. (C) 2192		
7	Seat assembly (less cushion)—bucket—R.H. (Black with Grey piping)	AFH5856		1	1						
8	Seat assembly (less cushion)—bucket—R.H. (Beige with Beige piping)			1	1						
9	Seat assembly (less cushion)—bucket—R.H. (Black with Blue piping)			1	1			AFH6672			
10	Squab assembly—bucket seat—R.H. (Red with Red piping)	AFH2614		1	1			AFH6674		Com. (C) 2193	
11	Squab assembly—bucket seat—R.H. (Black with Red piping)	AFH5876		1	1		Tourer				
12	Squab assembly—bucket seat—R.H. (Black with White piping)	AFH5882		1	1						
13	Squab assembly—bucket seat—R.H. (Green with Green piping)	AFH5872		1	1						
14	Squab assembly—bucket seat—R.H. (Grey with Grey piping)	AFH5874		1	1						
15	Squab assembly—bucket seat—R.H. (Black with Green piping)	AFH5878		1	1				Fin. (C) 2192		
16	Squab assembly—bucket seat—R.H. (Black with Grey piping)	AFH5880		1	1						
17	Squab assembly—bucket seat—R.H. (Beige with Beige piping)			1	1						
18	Squab assembly—bucket seat—R.H. (Black with Blue piping)			1	1			AFH6680		Com. (C) 2193	
19	Cover assembly—bucket seat squab—R.H. (Red with Red piping)	AFH2612		1	1			AFH6682			
20	Cover assembly—bucket seat squab—R.H. (Black with Red piping)	AFH6454		1	1						
21	Cover assembly—bucket seat squab—R.H. (Black with White piping)	AFH6460		1	1						
22	Cover assembly—bucket seat squab—R.H. (Green with Green piping)	AFH6450		1	1						
23	Cover assembly—bucket seat squab—R.H. (Grey with Grey piping)	AFH6452		1	1						
24	Cover assembly—bucket seat squab—R.H. (Black with Green piping)	AFH6456		1	1				Fin. (C) 2192		
25	Cover assembly—bucket seat squab—R.H. (Black with Grey piping)	AFH6458		1	1						

SERVICE PARTS LIST

THE M.G. Series MGA TWIN CAM

Item No.	DESCRIPTION	Commencing (C) 501		Qty. per Vehicle		Unit of Issue	Type of Vehicle	MODIFICATIONS			REMARKS
		Part Number	Illus. No.	RHD	LHD			New Part Number	Change Point	Amdt. No.	
	Seats and Seat Fittings—continued										
1	Cover assembly bucket seat squab—R.H. (Beige with Beige piping)			1	1			AFH6688] Com. (C) 2193		
2	Cover assembly bucket seat squab—R.H. (Black with Blue piping)			1	1			AFH6690			
3	Cushion assembly—bucket seat—R.H. (Red with Red piping)	AFH2458	RL2	1	1						
4	Cushion assembly—bucket seat—R.H. (Black with Red piping)	AFH5864		1	1						
5	Cushion assembly—bucket seat—R.H. (Black with White piping)	AFH5870		1	1						
6	Cushion assembly—bucket seat—R.H. (Green with Green piping)	AFH5860		1	1						
7	Cushion assembly—bucket seat—R.H. (Grey with Grey piping)	AFH5862		1	1] Fin. (C) 2192		
8	Cushion assembly—bucket seat—R.H. (Black with Green piping)	AFH5866		1	1						
9	Cushion assembly—bucket seat—R.H. (Black with Grey piping)	AFH5868		1	1						
10	Cushion assembly—bucket seat—R.H. (Beige with Beige piping)			1	1			AFH6676] Com. (C) 2193		
11	Cushion assembly—bucket seat—R.H. (Black with Blue piping)			1	1			AFH6678			
12	Cover assembly—bucket seat cushion—R.H. (Red with Red piping)	AFH2610		1	1		Tourer				
13	Cover assembly—bucket seat cushion—R.H. (Black with Red piping)	AFH5888		1	1						
14	Cover assembly—bucket seat cushion—R.H. (Black with White piping)	AFH5894		1	1						
15	Cover assembly—bucket seat cushion—R.H. (Green with Green piping)	AFH5884		1	1						
16	Cover assembly—bucket seat cushion—R.H. (Grey with Grey piping)	AFH5886		1	1] Fin. (C) 2192		
17	Cover assembly—bucket seat cushion—R.H. (Black with Green piping)	AFH5890		1	1						
18	Cover assembly—bucket seat cushion—R.H. (Black with Grey piping)	AFH5892		1	1						
19	Cover assembly—bucket seat cushion—R.H. (Beige with Beige piping)			1	1			AFH6684] Com. (C) 2193		
20	Cover assembly—bucket seat cushion—R.H. (Black with Blue piping)			1	1			AFH6686			
21	Seat assembly—bucket seat less cushion—L.H. (Red with Red piping)	AFH2457	RL3	1	1						
22	Seat assembly—bucket seat less cushion—L.H. (Black with Red piping)	AFH5853		1	1						
23	Seat assembly—bucket seat less cushion—L.H. (Black with White piping)	AFH5859		1	1						
24	Seat assembly—bucket seat less cushion—L.H. (Green with Green piping)	AFH5849		1	1				Fin. (C) 2192		

SERVICE PARTS LIST

THE M.G. Series MGA TWIN CAM

Item No.	DESCRIPTION	Commencing (C) 501		Qty. per Vehicle		Unit of Issue	Type of Vehicle	MODIFICATIONS			REMARKS
		Part Number	Illus. No.	RHD	LHD			New Part Number	Change Point	Amdt. No.	
	Seats and Seat Fittings—continued										
1	Seat assembly—bucket seat less cushion—L.H. (Grey with Grey piping)	AFH5851		1	1		Tourer				
2	Seat assembly—bucket seat less cushion—L.H. (Black with Green piping)	AFH5855		1	1			Fin. (C) 2192			
3	Seat assembly—bucket seat less cushion—L.H. (Black with Grey piping)	AFH5857		1	1						
4	Seat assembly—bucket seat less cushion—L.H. (Beige with Beige piping)			1	1			AFH6673			
5	Seat assembly—bucket seat less cushion—L.H. (Black with Blue piping)			1	1			AFH6675	Com. (C) 2193		
6	Squab assembly—bucket seat—L.H. (Red with Red piping)	AFH2615		1	1						
7	Squab assembly—bucket seat—L.H. (Black with Red piping)	AFH5877		1	1						
8	Squab assembly—bucket seat—L.H. (Black with White piping)	AFH5883		1	1						
9	Squab assembly—bucket seat—L.H. (Green with Green piping)	AFH5873		1	1						
10	Squab assembly—bucket seat—L.H. (Grey with Grey piping)	AFH5875		1	1						
11	Squab assembly—bucket seat—L.H. (Black with Green piping)	AFH5879		1	1				Fin. (C) 2192		
12	Squab assembly—bucket seat—L.H. (Black with Grey piping)	AFH5881		1	1						
13	Squab assembly—bucket seat—L.H. (Beige with Beige piping)			1	1			AFH6681			
14	Squab assembly—bucket seat—L.H. (Black with Blue piping)			1	1			AFH6683	Com. (C) 2193		
15	Cover assembly—bucket seat squab—L.H. (Red with Red piping)	AFH2613		1	1						
16	Cover assembly—bucket seat squab—L.H. (Black with Red piping)	AFH6455		1	1						
17	Cover assembly—bucket seat squab—L.H. (Black with White piping)	AFH6461		1	1						
18	Cover assembly—bucket seat squab—L.H. (Green with Green piping)	AFH6451		1	1						
19	Cover assembly—bucket seat squab—L.H. (Grey with Grey piping)	AFH6453		1	1						
20	Cover assembly—bucket seat squab—L.H. (Black with Green piping)	AFH6457		1	1				Fin. (C) 2192		
21	Cover assembly—bucket seat squab—L.H. (Black with Grey piping)	AFH6459		1	1						
22	Cover assembly—bucket seat squab—L.H. (Beige with Beige piping)			1	1			AFH6689			
23	Cover assembly—bucket seat squab—L.H. (Black with Blue piping)			1	1			AFH6691	Com. (C) 2193		

SERVICE PARTS LIST

THE M.G. Series MGA TWIN CAM

Item No.	DESCRIPTION	Commencing (C) 501		Qty. per Vehicle		Unit of Issue	Type of Vehicle	MODIFICATIONS			REMARKS	
		Part Number	Illus. No.	RHD	LHD			New Part Number	Change Point	Amdt. No.		
	Seats and Seat Fittings—continued											
1	Cushion assembly—bucket seat—L.H. (Red with Red piping)...	AFH2459	RL4	1	1	Tourer						
2	Cushion assembly—bucket seat—L.H. (Black with Red piping)	AFH5865		1	1							
3	Cushion assembly—bucket seat—L.H. (Black with White piping)	AFH5871		1	1							
4	Cushion assembly—bucket seat—L.H. (Green with Green piping)	AFH5861		1	1							
5	Cushion assembly—bucket seat—L.H. (Grey with Grey piping)	AFH5863		1	1							
6	Cushion assembly—bucket seat—L.H. (Black with Green piping)	AFH5867		1	1					Fin. (C) 2192		
7	Cushion assembly—bucket seat—L.H. (Black with Grey piping)	AFH5869		1	1							
8	Cushion assembly—bucket seat—L.H. (Beige with Beige piping)			1	1							
9	Cushion assembly—bucket seat—L.H. (Black with Blue piping)			1	1				AFH6677			
10	Cover assembly—bucket seat cushion—L.H. (Red with Red piping)	AFH2611		1	1							
11	Cover assembly—bucket seat cushion—L.H. (Black with Red piping)	AFH5889		1	1							
12	Cover assembly—bucket seat cushion—L.H. (Black with White piping)	AFH5895		1	1							
13	Cover assembly—bucket seat cushion—L.H. (Green with Green piping)	AFH5885		1	1							
14	Cover assembly—bucket seat cushion—L.H. (Grey with Grey piping)	AFH5887		1	1							
15	Cover assembly—bucket seat cushion—L.H. (Black with Green piping)	AFH5891		1	1					Fin. (C) 2192		
16	Cover assembly—bucket seat cushion—L.H. (Black with Grey piping)	AFH5893		1	1							
17	Cover assembly—bucket seat cushion—L.H. (Beige with Beige piping)			1	1							
18	Cover assembly—bucket seat cushion—L.H. (Black with Blue piping)			1	1				AFH6685			
19	Seat assembly—bucket seat less cushion—R.H. (Red with Red piping)	AFH4632	RL5	1	1	Coupé						
20	Seat assembly—bucket seat less cushion—R.H. (Black with Red piping)	AFH5496		1	1							
21	Seat assembly—bucket seat less cushion—R.H. (Black with White piping)	AFH5494		1	1							
22	Seat assembly—bucket seat less cushion—R.H. (Green with Green piping)	AFH5490		1	1							
23	Seat assembly—bucket seat less cushion—R.H. (Grey with Grey piping)	AFH5492		1	1							
24	Seat assembly—bucket seat less cushion—R.H. (Black with Green piping)	AFH5498		1	1					Fin. (C) 2291		

SERVICE PARTS LIST

THE M.G. Series MGA TWIN CAM

Item No.	DESCRIPTION	Commencing (C) 501		Qty. per Vehicle		Unit of Issue	Type of Vehicle	MODIFICATIONS			REMARKS
		Part Number	Illus. No.	RHD	LHD			New Part Number	Change Point	Amdt. No.	
	Seats and Seat Fittings—continued										
1	Seat assembly—bucket seat less cushion—R.H. (Black with Blue piping)	AFH5500		1	1				Fin. (C) 2291		
2	Seat assembly—bucket seat less cushion—R.H. (Beige with Beige piping)			1	1						
3	Seat assembly—bucket seat less cushion—R.H. (Black with Blue piping)			1	1			AFH6718			
4	Squab assembly—bucket seat—R.H. (Red with Red piping)	AFH4636		1	1			AFH6720			
5	Squab assembly—bucket seat—R.H. (Black with Red piping)	AFH5520		1	1						
6	Squab assembly—bucket seat—R.H. (Black with White piping)	AFH5518		1	1						
7	Squab assembly—bucket seat—R.H. (Green with Green piping)	AFH5514		1	1						
8	Squab assembly—bucket seat—R.H. (Grey with Grey piping)	AFH5516		1	1						
9	Squab assembly—bucket seat—R.H. (Black with Green piping)	AFH5522		1	1				Fin. (C) 2291		
10	Squab assembly—bucket seat—R.H. (Black with Blue piping)	AFH5424		1	1						
11	Squab assembly—bucket seat—R.H. (Beige with Beige piping)			1	1						
12	Squab assembly—bucket seat—R.H. (Black with Blue piping)			1	1			AFH6726			
13	Cover assembly—bucket seat squab—R.H. (Red with Red piping)	AFH4640		1	1		Coupe	AFH6728			
14	Cover assembly—bucket seat squab—L.H. (Black with Red piping)	AFH5544		1	1						
15	Cover assembly—bucket seat squab—R.H. (Black with White piping)	AFH5542		1	1						
16	Cover assembly—bucket seat squab—R.H. (Green with Green piping)	AFH5538		1	1						
17	Cover assembly—bucket seat squab—R.H. (Grey with Grey piping)	AFH5540		1	1						
18	Cover assembly—bucket seat squab—R.H. (Black with Green piping)	AFH5546		1	1				Fin. (C) 2291		
19	Cover assembly—bucket seat squab—R.H. (Black with Blue piping)	AFH5548		1	1						
20	Cover assembly—bucket seat squab—R.H. (Beige with Beige piping)			1	1						
21	Cover assembly—bucket seat squab—R.H. (Black with Blue piping)			1	1			AFH6734			
22	Cushion assembly—bucket seat—R.H. (Red with Red piping)	AFH4634	RL6	1	1			AFH6736			
23	Cushion assembly—bucket seat—R.H. (Black with Red piping)	AFH5508		1	1						
24	Cushion assembly—bucket seat—R.H. (Black with White piping)	AFH5506		1	1						

SERVICE PARTS LIST

THE M.G. Series MGA TWIN CAM

Item No.	DESCRIPTION	Commencing (C) 501		Qty. per Vehicle		Unit of Issue	Type of Vehicle	MODIFICATIONS			REMARKS
		Part Number	Illus. No.	RHD	LHD			New Part Number	Change Point	Amdt. No.	
	Seats and Seat Fittings—continued										
1	Cushion assembly—bucket seat—R.H. (Green with Green piping)	AFH5502		1	1						
2	Cushion assembly—bucket seat—R.H. (Grey with Grey piping)	AFH5504		1	1						
3	Cushion assembly—bucket seat—R.H. (Black with Green piping)	AFH5510		1	1				Fin. (C) 2291		
4	Cushion assembly—bucket seat—R.H. (Black with Blue piping)	AFH5512		1	1						
5	Cushion assembly—bucket seat—R.H. (Beige with Beige piping)			1	1			AFH6722			
6	Cushion assembly—bucket seat—R.H. (Black with Blue piping)			1	1			AFH6724	Com. (C) 2292		
7	Cover assembly—bucket seat cushion—R.H. (Red with Red piping)	AFH4638		1	1						
8	Cover assembly—bucket seat cushion—R.H. (Black with Red piping)	AFH5532		1	1						
9	Cover assembly—bucket seat cushion—R.H. (Black with White piping)	AFH6530		1	1						
10	Cover assembly—bucket seat cushion—R.H. (Green with Green piping)	AFH5526		1	1						
11	Cover assembly—bucket seat cushion—R.H. (Grey with Grey piping)	AFH5528		1	1						
12	Cover assembly—bucket seat cushion—R.H. (Black with Green piping)	AFH5534		1	1				Fin. (C) 2291		
13	Cover assembly—bucket seat cushion—R.H. (Black with Blue piping)	AFH5536		1	1		Coupé				
14	Cover assembly—bucket seat cushion—R.H. (Beige with Beige piping)			1	1			AFH6730			
15	Cover assembly—bucket seat cushion—R.H. (Black with Blue piping)			1	1			AFH6732	Com. (C) 2292		
16	Seat assembly—bucket seat less cushion—L.H. (Red with Red piping)	AFH4633	RL7	1	1						
17	Seat assembly—bucket seat less cushion—L.H. (Black with Red piping)	AFH5497		1	1						
18	Seat assembly—bucket seat less cushion—L.H. (Black with White piping)	AFH5495		1	1						
19	Seat assembly—bucket seat less cushion—L.H. (Green with Green piping)	AFH5491		1	1						
20	Seat assembly—bucket seat less cushion—L.H. (Grey with Grey piping)	AFH5493		1	1						
21	Seat assembly—bucket seat less cushion—L.H. (Black with Green piping)	AFH5499		1	1				Fin. (C) 2291		
22	Seat assembly—bucket seat less cushion—L.H. (Black with Blue piping)	AFH5501		1	1						
23	Seat assembly—bucket seat less cushion—L.H. (Beige with Beige piping)			1	1			AFH6719			
24	Seat assembly—bucket seat less cushion—L.H. (Black with Blue piping)			1	1			AFH6721	Com. (C) 2292		

SERVICE PARTS LIST

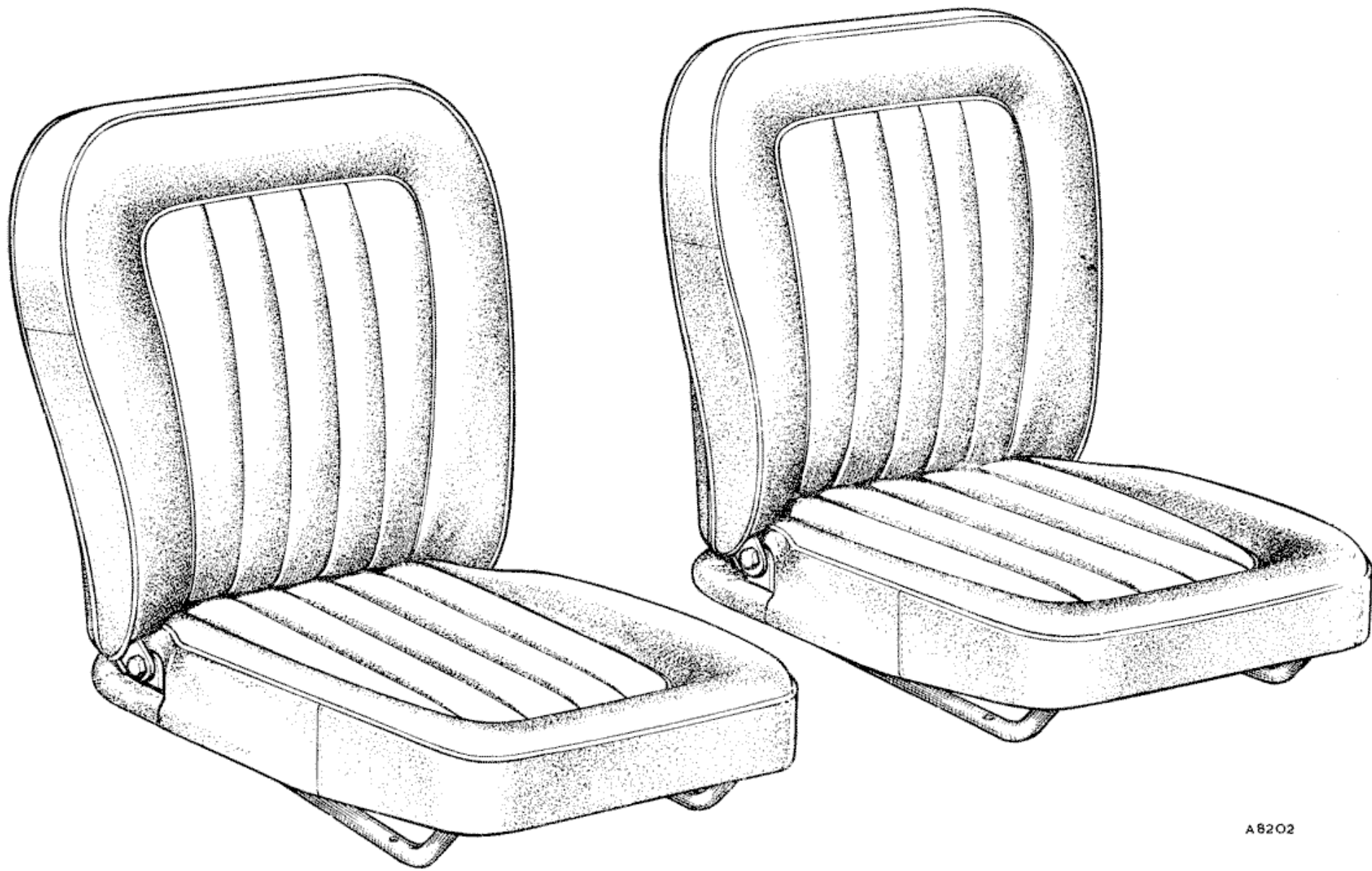
THE M.G. Series MGA TWIN CAM

Item No.	DESCRIPTION	Commencing (C) 501		Qty. per Vehicle		Unit of Issue	Type of Vehicle	MODIFICATIONS			REMARKS
		Part Number	Illus. No.	RHD	LHD			New Part Number	Change Point	Amdt. No.	
	Seats and Seat Fittings—continued										
1	Squab assembly—bucket seat—L.H. (Red with Red piping)	AFH4637		1	1						
2	Squab assembly—bucket seat—L.H. (Black with Red piping)	AFH5521		1	1						
3	Squab assembly—bucket seat—L.H. (Black with White piping)	AFH5519		1	1						
4	Squab assembly—bucket seat—L.H. (Green with Green piping)	AFH5515		1	1						
5	Squab assembly—bucket seat—L.H. (Grey with Grey piping)	AFH5517		1	1						
6	Squab assembly—bucket seat—L.H. (Black with Green piping)	AFH5523		1	1				Fin. (C) 2291		
7	Squab assembly—bucket seat—L.H. (Black with Blue piping)	AFH5425		1	1						
8	Squab assembly—bucket seat—L.H. (Beige with Beige piping)			1	1			AFH6727			
9	Squab assembly—bucket seat—L.H. (Black with Blue piping)			1	1			AFH6729	Com. (C) 2292		
10	Cover assembly—bucket seat squab—L.H. (Red with Red piping)	AFH4641		1	1						
11	Cover assembly—bucket seat squab—L.H. (Black with Red piping)	AFH5545		1	1						
12	Cover assembly—bucket seat squab—L.H. (Black with White piping)	AFH5543		1	1		Coupé				
13	Cover assembly—bucket seat squab—L.H. (Green with Green piping)	AFH5539		1	1						
14	Cover assembly—bucket seat squab—L.H. (Grey with Grey piping).....	AFH5541		1	1						
15	Cover assembly—bucket seat squab—L.H. (Black with Green piping)	AFH5547		1	1				Fin. (C) 2291		
16	Cover assembly—bucket seat squab—L.H. (Black with Blue piping)	AFH5549		1	1						
17	Cover assembly—bucket seat squab—L.H. (Beige with Beige piping)			1	1			AFH6735			
18	Cover assembly—bucket seat squab—L.H. (Black with Blue piping)			1	1			AFH6737	Com. (C) 2292		
19	Cushion assembly—bucket seat—L.H. (Red with Red piping)	AFH4635	RL8	1	1						
20	Cushion assembly—bucket seat—L.H. (Black with Red piping)	AFH5509		1	1						
21	Cushion assembly—bucket seat—L.H. (Black with White piping)	AFH5507		1	1						
22	Cushion assembly—bucket seat—L.H. (Green with Green piping)	AFH5503		1	1						
23	Cushion assembly—bucket seat—L.H. (Grey with Grey piping)	AFH5505		1	1						
24	Cushion assembly—bucket seat—L.H. (Black with Green piping)	AFH5511		1	1				Fin. (C) 2291		
25	Cushion assembly—bucket seat—L.H. (Black with Blue piping)	AFH5513		1	1						

SERVICE PARTS LIST

THE M.G. Series MGA TWIN CAM

Item No.	DESCRIPTION	Commencing (C) 501		Qty. per Vehicle		Unit of Issue	Type of Vehicle	MODIFICATIONS			REMARKS
		Part Number	Illus. No.	RHD	LHD			New Part Number	Change Point	Amdt. No.	
	Seats and Seat Fittings—continued										
1	Cushion assembly—bucket seat—L.H. (Beige with Beige piping)			1	1		Coupé	AFH6723] Com. (C) 2292		
2	Cushion assembly—bucket seat—L.H. (Black with Blue piping)			1	1			AFH6725			
3	Cover assembly—bucket seat cushion—L.H. (Red with Red piping)	AFH4639		1	1						
4	Cover assembly—bucket seat cushion—L.H. (Black with Red piping)	AFH5533		1	1						
5	Cover assembly—bucket seat cushion—L.H. (Black with White piping)	AFH5531		1	1						
6	Cover assembly—bucket seat cushion—L.H. (Green with Green piping)	AFH5527		1	1						
7	Cover assembly—bucket seat cushion—L.H. (Grey with Grey piping)	AFH5520		1	1] Fin. (C) 2291		
8	Cover assembly—bucket seat cushion—L.H. (Black with Green piping)	AFH5535		1	1						
9	Cover assembly—bucket seat cushion—L.H. (Black with Blue piping)	AFH5537		1	1						
10	Cover assembly—bucket seat cushion—L.H. (Beige with Beige piping)			1	1				AFH6731] Com. (C) 2292	
11	Cover assembly—bucket seat cushion—L.H. (Black with Blue piping)			1	1				AFH6733		
12	Rail—seat—floor rack	AHH5509	RL9	4	4						
13	Slide—seat catch	AHH5510	RL10	2	2						
14	Screw—seat rail to floor	HPZ0405	RL11	8	8						
15	Washer (spring)	LWZ204	RL12	8	8	12					
16	Slide assembly—seat catch—R.H.	AHH5511	RL13	1	1						
17	Slide assembly—seat catch—L.H.	AHH5512	RL14	1	1						
18	Screw—seat to runner	CMZ0410	RL15	16	16						
19	Washer (spring)	LWZ204	RL16	16	16	12					
20	Nut for screw	FNZ104	RL17	16	16						



A8202

SERVICE PARTS LIST

THE M.G. Series MGA TWIN CAM

Item No.	DESCRIPTION	Commencing (C) 501		Qty. per Vehicle		Unit of Issue	Type of Vehicle	MODIFICATIONS			REMARKS
		Part Number	Illus. No.	RHD	LHD			New Part Number	Change Point	Amdt. No.	
	DE-LUXE SEATS (Optional Extra)										
1	Seat assembly—bucket—R.H. (Red with Red piping)	AFH5666		1	1] If this seat is requested after car delivery, 1 off floorboard—R.H. AHH5748, 8 off screws CMZ0420 are to be supplied also
2	Seat assembly—bucket—R.H. (Black with Red piping)	AFH5674		1	1						
3	Seat assembly—bucket—R.H. (Black with White piping)	AFH5672		1	1						
4	Seat assembly—bucket—R.H. (Green with Green piping)	AFH5668		1	1						
5	Seat assembly—bucket—R.H. (Grey with Grey piping)	AFH5670		1	1			Fin. (C) 2192			
6	Seat assembly—bucket—R.H. (Black with Green piping)	AFH5676		1	1						
7	Seat assembly—bucket—R.H. (Black with Blue piping)	AFH6560		1	1						
8	Seat assembly—bucket—R.H. (Beige with Beige piping)			1	1			AFH6774	Com. (C) 2193		
9	Seat assembly—bucket—R.H. (Black with Blue piping)			1	1			AFH6776			
10	Frame assembly—bucket seat—R.H.	AFH5478		1	1						
11	Squab assembly—bucket seat—R.H. (Red with Red piping)	AFH5680		1	1						
12	Squab assembly—bucket seat—R.H. (Black with Red piping)	AFH5688		1	1						
13	Squab assembly—bucket seat—R.H. (Black with White piping)	AFH5686		1	1						
14	Squab assembly—bucket seat—R.H. (Green with Green piping)	AFH5682		1	1						
15	Squab assembly—bucket seat—R.H. (Grey with Grey piping)	AFH5684		1	1						
16	Squab assembly—bucket seat—R.H. (Black with Green piping)	AFH5690		1	1				Fin. (C) 2192		
17	Squab assembly—bucket seat—R.H. (Black with Blue piping)	AFH6562		1	1						
18	Squab assembly—bucket seat—R.H. (Beige with Beige piping)			1	1						
19	Squab assembly—bucket seat—R.H. (Black with Blue piping)			1	1			AFH6778	Com. (C) 2193		
20	Cover assembly—bucket seat squab—R.H. (Red with Red piping)	AFH5708		1	1						
21	Cover assembly—bucket seat squab—R.H. (Black with Red piping)	AFH5716		1	1						
22	Cover assembly—bucket seat squab—R.H. (Black with White piping)	AFH5714		1	1						
23	Cover assembly—bucket seat squab—R.H. (Green with Green piping)	AFH5710		1	1						
24	Cover assembly—bucket seat squab—R.H. (Grey with Grey piping)	AFH5712		1	1				Fin. (C) 2192		

SERVICE PARTS LIST

THE M.G. Series MGA TWIN CAM

Item No.	DESCRIPTION	Commencing (C) 501		Qty. per Vehicle		Unit of Issue	Type of Vehicle	MODIFICATIONS			REMARKS
		Part Number	Illus. No.	RHD	LHD			New Part Number	Change Point	Amdt. No.	
	De-luxe Seats—continued										
1	Cover assembly—bucket seat squab—R.H. (Black with Green piping)	AFH5718		1	1						
2	Cover assembly—bucket seat squab—R.H. (Black with Blue piping)	AFH6566		1	1				Fin. (C) 2192		
3	Cover assembly—bucket seat squab—R.H. (Beige with Beige piping)			1	1			AFH6786			
4	Cover assembly—bucket seat squab—R.H. (Black with Blue piping)			1	1			AFH6788	Com. (C) 2193		
5	Cushion assembly—bucket seat—R.H. (Red with Red piping)	AFH5694		1	1						
6	Cushion assembly—bucket seat—R.H. (Black with Red piping)	AFH5702		1	1						
7	Cushion assembly—bucket seat—R.H. (Black with White piping)	AFH5700		1	1						
8	Cushion assembly—bucket seat—R.H. (Green with Green piping)	AFH5696		1	1						
9	Cushion assembly—bucket seat—R.H. (Grey with Grey piping)	AFH5698		1	1						
10	Cushion assembly—bucket seat—R.H. (Black with Green piping)	AFH5704		1	1				Fin. (C) 2192		
11	Cushion assembly—bucket seat—R.H. (Black with Blue piping)	AFH6564		1	1						
12	Cushion assembly—bucket seat—R.H. (Beige with Beige piping)			1	1			AFH6782			
13	Cushion assembly—bucket seat—R.H. (Black with Blue piping)			1	1			AFH6784	Com. (C) 2193		
14	Cover assembly—bucket seat cushion—R.H. (Red with Red piping)	AFH5722		1	1						
15	Cover assembly—bucket seat cushion—R.H. (Black with Red piping)	AFH5730		1	1						
16	Cover assembly—bucket seat cushion—R.H. (Black with White piping)	AFH5728		1	1						
17	Cover assembly—bucket seat cushion—R.H. (Green with Green piping)	AFH5724		1	1						
18	Cover assembly—bucket seat cushion—R.H. (Grey with Grey piping)	AFH5726		1	1				Fin. (C) 2192		
19	Cover assembly—bucket seat cushion—R.H. (Black with Green piping)	AFH5732		1	1						
20	Cover assembly—bucket seat cushion—R.H. (Black with Blue piping)	AFH6568		1	1						
21	Cover assembly—bucket seat cushion—R.H. (Beige with Beige piping)			1	1			AFH6790			
22	Cover assembly—bucket seat cushion—R.H. (Black with Blue piping)			1	1			AFH6792	Com. (C) 2193		

SERVICE PARTS LIST

THE M.G. Series MGA TWIN CAM

Item No.	DESCRIPTION	Commencing (C) 501		Qty. per Vehicle		Unit of Issue	Type of Vehicle	MODIFICATIONS			REMARKS
		Part Number	Illus. No.	RHD	LHD			New Part Number	Change Point	Amdt. No.	
	De-luxe Seats—continued										
1	Seat assembly—bucket—L.H. (Red with Red piping)	AFH5667		1	1] If this seat is requested after car delivery, 1 off floorboard—L.H. AHH5740, 8 off screws CMZ0420 are to be supplied also
2	Seat assembly—bucket—L.H. (Black with Red piping)	AFH5675		1	1						
3	Seat assembly—bucket—L.H. (Black with White piping)	AFH5673		1	1						
4	Seat assembly—bucket—L.H. (Green with Green piping)	AFH5669		1	1						
5	Seat assembly—bucket—L.H. (Grey with Grey piping)	AFH5671		1	1			Fin. (C) 2192			
6	Seat assembly—bucket—L.H. (Black with Green piping)	AFH5677		1	1						
7	Seat assembly—bucket—L.H. (Black with Blue piping)	AFH6561		1	1						
8	Seat assembly—bucket—L.H. (Beige with Beige piping)			1	1						
9	Seat assembly—bucket—L.H. (Black with Blue piping)			1	1			AFH6775 AFH6777	Com. (C) 2193		
10	Frame assembly—bucket seat—L.H.	AFH5479		1	1						
11	Squab assembly—bucket seat—L.H. (Red with Red piping)	AFH5681		1	1						
12	Squab assembly—bucket seat—L.H. (Black with Red piping)	AFH5689		1	1						
13	Squab assembly—bucket seat—L.H. (Black with White piping)	AFH5687		1	1						
14	Squab assembly—bucket seat—L.H. (Green with Green piping)	AFH5683		1	1						
15	Squab assembly—bucket seat—L.H. (Grey with Grey piping)	AFH5685		1	1						
16	Squab assembly—bucket seat—L.H. (Black with Green piping)	AFH5691		1	1				Fin. (C) 2192		
17	Squab assembly—bucket seat—L.H. (Black with Blue piping)	AFH6563		1	1						
18	Squab assembly—bucket seat—L.H.—(Beige with Beige piping)			1	1			AFH6779			
19	Squab assembly—bucket seat—L.H. (Black with Blue piping)			1	1			AFH6781	Com. (C) 2193		
20	Cover assembly—bucket seat squab—L.H. (Red with Red piping)	AFH5709		1	1						
21	Cover assembly—bucket seat squab—L.H. (Black with Red piping)	AFH5717		1	1						
22	Cover assembly—bucket seat squab—L.H. (Black with White piping)	AFH5715		1	1						
23	Cover assembly—bucket seat squab—L.H. (Green with Green piping)	AFH5711		1	1						
24	Cover assembly—bucket seat squab—L.H. (Grey with Grey piping)	AFH5713		1	1				Fin. (C) 2192		

SERVICE PARTS LIST

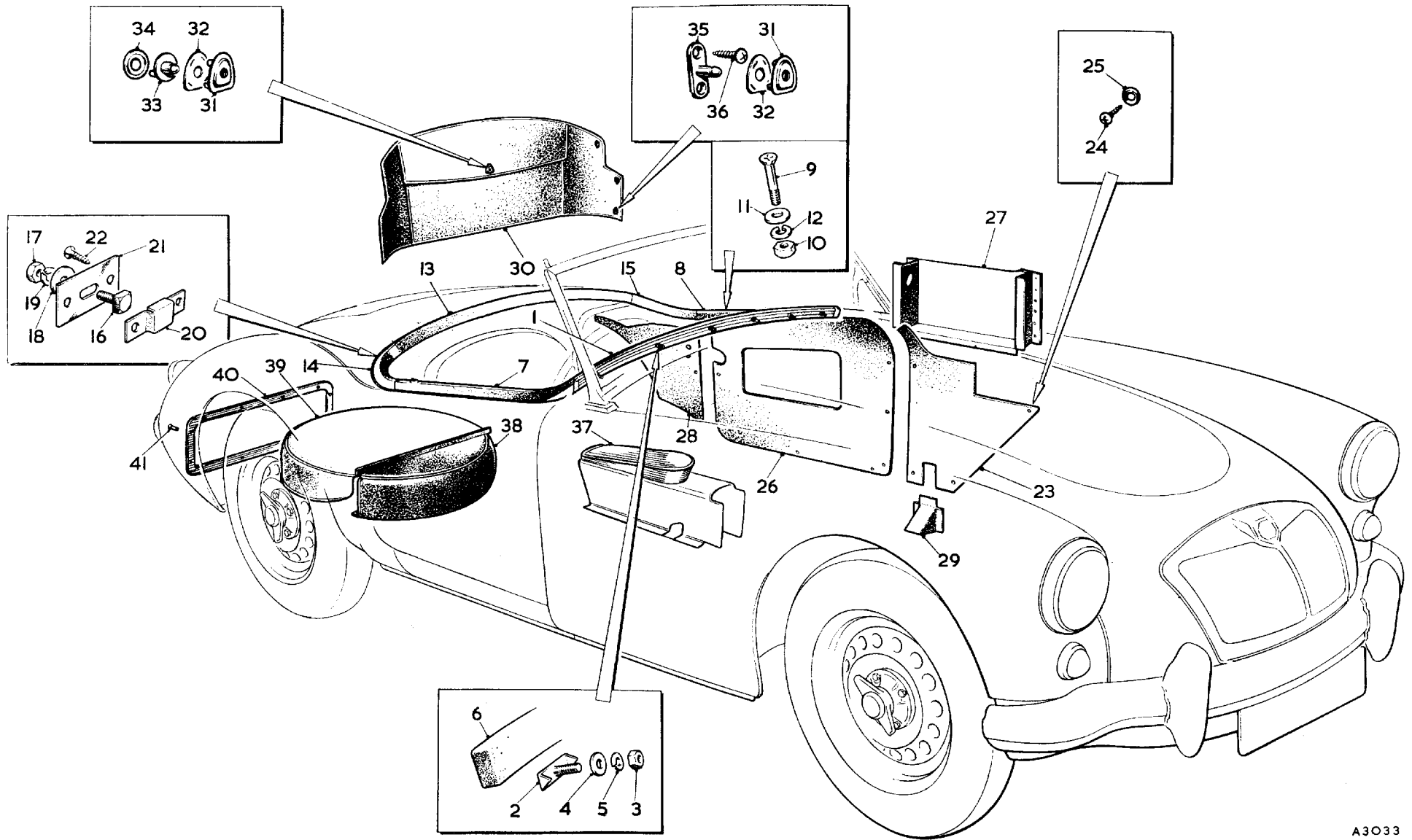
THE M.G. Series MGA TWIN CAM

Item No.	DESCRIPTION	Commencing (C) 501		Qty. per Vehicle		Unit of Issue	Type of Vehicle	MODIFICATIONS			REMARKS
		Part Number	Illus. No.	RHD	LHD			New Part Number	Change Point	Amdt. No.	
	De-luxe Seats—continued										
1	Cover assembly—bucket seat squab—L.H. (Black with Green piping)	AFH5719		1	1						
2	Cover assembly—bucket seat squab—L.H. (Black with Blue piping)	AFH6567		1	1				Fin. (C) 2192		
3	Cover assembly—bucket seat squab—L.H. (Beige with Beige piping)			1	1						
4	Cover assembly—bucket seat squab—L.H. (Black with Blue piping)			1	1			AFH6787			
5	Cushion assembly—bucket seat—L.H. (Red with Red piping)	AFH5695		1	1			AFH6789			
6	Cushion assembly—bucket seat—L.H. (Black with Red piping)	AFH5703		1	1						
7	Cushion assembly—bucket seat—L.H. (Black with White piping)	AFH5701		1	1						
8	Cushion assembly—bucket seat—L.H. (Green with Green piping)	AFH5697		1	1						
9	Cushion assembly—bucket seat—L.H. (Grey with Grey piping)	AFH5699		1	1						
10	Cushion assembly—bucket seat—L.H. (Black with Green piping)	AFH5705		1	1				Fin. (C) 2192		
11	Cushion assembly—bucket seat—L.H. (Black with Blue piping)	AFH6565		1	1						
12	Cushion assembly—bucket seat—L.H. (Beige with Beige piping)			1	1						
13	Cushion assembly—bucket seat—L.H. (Black with Blue piping)			1	1			AFH6783			
14	Cover assembly—bucket seat cushion—L.H. (Red with Red piping)	AFH5723		1	1			AFH6785			
15	Cover assembly—bucket seat cushion—L.H. (Black with Red piping)	AFH5731		1	1						
16	Cover assembly—bucket seat cushion—L.H. (Black with White piping)	AFH5729		1	1						
17	Cover assembly—bucket seat cushion—L.H. (Green with Green piping)	AFH5725		1	1						
18	Cover assembly—bucket seat cushion—L.H. (Grey with Grey piping)	AFH5727		1	1						
19	Cover assembly—bucket seat cushion—L.H. (Black with Green piping)	AFH5733		1	1				Fin. (C) 2192		
20	Cover assembly—bucket seat cushion—L.H. (Black with Blue piping)	AFH6569		1	1						
21	Cover assembly—bucket seat cushion—L.H. (Beige with Beige piping)			1	1			AFH6791			
22	Cover assembly—bucket seat cushion—L.H. (Black with Blue piping)			1	1			AFH6793			

SERVICE PARTS LIST

THE M.G. Series MGA TWIN CAM

Item No.	DESCRIPTION	Commencing (C) 501		Qty. per Vehicle		Unit of Issue	Type of Vehicle	MODIFICATIONS			REMARKS
		Part Number	Illus. No.	RHD	LHD			New Part Number	Change Point	Amdt. No.	
	De-luxe Seats—continued										
1	Casing assembly—bucket seat back (Red with Red piping)	AFH5736		2	2						
2	Casing assembly—bucket seat back (Black with Red piping)	AFH5740		2	2						
3	Casing assembly—bucket seat back (Black with White piping)	AFH5739		2	2						
4	Casing assembly—bucket seat back (Green with Green piping)	AFH5737		2	2] Fin. (C) 2192			
5	Casing assembly—bucket seat back (Grey with Grey piping)	AFH5738		2	2						
6	Casing assembly—bucket seat back (Black with Green piping)	AFH5741		2	2						
7	Casing assembly—bucket seat back (Black with Blue piping)	AFH6570		2	2						
8	Casing assembly—bucket seat back (Beige with Beige piping)			2	2		AFH6794] Com. (C) 2193			
9	Casing assembly—bucket seat back (Black with Blue piping)			2	2		AFH6795				



A3033

To face page R.35

SERVICE PARTS LIST

THE M.G. Series MGA TWIN CAM

Item No.	DESCRIPTION	Commencing (C) 501		Qty. per Vehicle		Unit of Issue	Type of Vehicle	MODIFICATIONS		
		Part Number	Illus. No.	RHD	LHD			New Part Number	Change Point	Amdt. No.
	TRIMMING									
1	Trim roll assembly—dash (Red with Red piping)	AFH3740	RM1	1	1					
2	Trim roll assembly—dash (Black with Red piping)	AFH6470		1	1					
3	Trim roll assembly—dash (Black with White piping)	AFH6473		1	1					
4	Trim roll assembly—dash (Green with Green piping)	AFH6468		1	1					
5	Trim roll assembly—dash (Grey with Grey piping)	AFH6469		1	1				Fin. (C) 2192	
6	Trim roll assembly—dash (Black with Green piping)	AFH6471		1	1					
7	Trim roll assembly—dash (Black with Grey piping)	AFH6472		1	1					
8	Trim roll assembly—dash (Beige with Beige piping)			1	1			AFH6694	Com. (C) 2193	
9	Trim roll assembly—dash (Black with Blue piping)			1	1			AFH6695		
10	Bolt fixing dash trim roll (claw head)	AFH1900	RM2	6	6					
11	Nut for bolt	FNZ103	RM3	6	6					
12	Washer for nut (plain)	PWZ203	RM4	6	6					
13	Washer for nut (spring)	LWZ203	RM5	6	6		Tourer			
14	Rubber—dash trim roll surround	AFH1846	RM6	1	1					
15	Trim roll assembly—door—R.H. (Red with Red piping)	AFH3742	RM7	1	1					
16	Trim roll assembly—door—R.H. (Black with Red piping)	AFH6496		1	1					
17	Trim roll assembly—door—R.H. (Black with White piping)	AFH6502		1	1					
18	Trim roll assembly—door—R.H. (Green with Green piping)	AFH6492		1	1					
19	Trim roll assembly—door—R.H. (Grey with Grey piping)	AFH6494		1	1				Fin. (C) 2192	
20	Trim roll assembly—door—R.H. (Black with Green piping)	AFH6498		1	1					
21	Trim roll assembly—door—R.H. (Black with Grey piping)	AFH6500		1	1					
22	Trim roll assembly—door—R.H. (Beige with Beige piping)			1	1			AFH6702	Com. (C) 2193	
23	Trim roll assembly—door—R.H. (Black with Blue piping)			1	1			AFH6704		
24	Trim roll assembly—door—L.H. (Red with Red piping)	AFH3743	RM8	1	1					
25	Trim roll assembly—door—L.H. (Black with Red piping)	AFH6497		1	1					
26	Trim roll assembly—door—L.H. (Black with White piping)	AFH6503		1	1					

SERVICE PARTS LIST

THE M G. Series MGA TWIN CAM

Item No.	DESCRIPTION	Commencing (C) 501		Qty. per Vehicle		Unit of Issue	Type of Vehicle	MODIFICATIONS			REMARKS
		Part Number	Illus. No.	RHD	LHD			New Part Number	Change Point	Amdt. No.	
	Trimming—continued										
1	Trim roll assembly—door—L.H. (Green with Green piping)	AFH6493		1	1		Tourer				
2	Trim roll assembly—door—L.H. (Grey with Grey piping)	AFH6495		1	1				Fin. (C) 2192		
3	Trim roll assembly—door—L.H. (Black with Green piping)	AFH6499		1	1						
4	Trim roll assembly—door—L.H. (Black with Grey piping)	AFH6501		1	1						
5	Trim roll assembly—door—L.H. (Beige with Beige piping)			1	1						
6	Trim roll assembly—door—L.H. (Black with Blue piping)			1	1				AFH6703	Com. (C) 2193	
7	Screw fixing door trim roll	CMZ0320	RM9	6	6				AFH6705		
8	Nut for screw	FNZ103	RM10	6	6						
9	Washer for nut (plain)	PWZ203	RM11	6	6						
10	Washer for nut (spring)	LWZ203	RM12	6	6						
11	Trim roll assembly—rear—centre (Red with Red piping)	AFH3741	RM13	1	1						
12	Trim roll assembly—rear—centre (Black with Red piping)	AFH6476		1	1						
13	Trim roll assembly—rear—centre (Black with White piping)	AFH6479		1	1						
14	Trim roll assembly—rear—centre (Green with Green piping)	AFH6474		1	1						
15	Trim roll assembly—rear—centre (Grey with Grey piping)	AFH6475		1	1				Fin. (C) 2192		
16	Trim roll assembly—rear—centre (Black with Green piping)	AFH6477		1	1						
17	Trim roll assembly—rear—centre (Black with Grey piping)	AFH6478		1	1						
18	Trim roll assembly—rear—centre (Beige with Beige piping)			1	1						
19	Trim roll assembly—rear—centre (Black with Blue piping)			1	1						
20	Trim roll assembly—rear—R.H. end (Red with Red piping)	AFH3744	RM14	1	1						
21	Trim roll assembly—rear—R.H. end (Black with Red piping)	AFH6484		1	1						
22	Trim roll assembly—rear—R.H. end (Black with White piping)	AFH6490		1	1						
23	Trim roll assembly—rear—R.H. end (Green with Green piping)	AFH6480		1	1						
24	Trim roll assembly—rear—R.H. end (Grey with Grey piping)	AFH6482		1	1				Fin. (C) 2192		
25	Trim roll assembly—rear—R.H. end (Black with Green piping)	AFH6486		1	1						
26	Trim roll assembly—rear—R.H. end (Black with Grey piping)	AFH6488		1	1						

SERVICE PARTS LIST

THE M.G. Series MGA TWIN CAM

Item No.	DESCRIPTION	Commencing (C) 501		Qty. per Vehicle		Unit of Issue	Type of Vehicle	MODIFICATIONS			REMARKS
		Part Number	Illus. No.	RHD	LHD			New Part Number	Change Point	Amdt. No.	
	Trimming—continued										
1	Trim roll assembly—rear—R.H. end (Beige with Beige piping)			1	1			AFH6698] Com. (C) 2193		
2	Trim roll assembly—rear—R.H. end (Black with Blue piping)			1	1			AFH6700			
3	Trim roll assembly—rear—L.H. end (Red with Red piping)	AFH3745	RM15	1	1						
4	Trim roll assembly—rear—L.H. end (Black with Red piping)	AFH6485		1	1						
5	Trim roll assembly—rear—L.H. end (Black with White piping)	AFH6491		1	1						
6	Trim roll assembly—rear—L.H. end (Green with Green piping)	AFH6481		1	1						
7	Trim roll assembly—rear—L.H. end (Grey with Grey piping)	AFH6483		1	1] Fin. (C) 2192		
8	Trim roll assembly—rear—L.H. end (Black with Green piping)	AFH6487		1	1						
9	Trim roll assembly—rear—L.H. end (Black with Grey piping)	AFH6489		1	1						
10	Trim roll assembly—rear—L.H. end (Beige with Beige piping)			1	1			AFH6699] Com. (C) 2193		
11	Trim roll assembly—rear—L.H. end (Black with Blue piping)			1	1			AFH6701			
12	Bolt fixing rear trim roll (special)	AFH2819	RM16	9	9						
13	Nut for bolt	FNZ103	RM17	9	9						
14	Washer for nut (plain)	PWZ203	RM18	9	9						
15	Washer for nut (spring)	LWZ203	RM19	9	9						
16	Retainer for bolt	AFH2820	RM20	9	9						
17	Base plate for retainer	AFH2821	RM21	9	9						
18	Screw fixing retainer	CTZ604	RM22	18	18		Tourer				
19	Liner assembly—dash side—R.H. (Red)	AFH2560		1	1						
20	Liner assembly—dash side—R.H. (Black)	AFH6508		1	1						
21	Liner assembly—dash side—R.H. (Green)	AFH6504		1	1] Fin. (C) 2192		
22	Liner assembly—dash side—R.H. (Grey)	AFH6506		1	1						
23	Liner assembly—dash side—R.H. (Beige)			1	1			AFH6706	Com. (C) 2193		
24	Liner assembly—dash side—L.H. (Red)	AFH2561	RM23	1	1						
25	Liner assembly—dash side—L.H. (Black)	AFH6509		1	1						
26	Liner assembly—dash side—L.H. (Green)	AFH6505		1	1] Fin. (C) 2192		
27	Liner assembly—dash side—L.H. (Grey)	AFH6507		1	1						
28	Liner assembly—dash side—L.H. (Beige)			1	1			AFH6707	Com. (C) 2193		
29	Screw fixing dash side liner	RTP404	RM24	10	10						
30	Washer for screw (cup)	7701	RM25	10	10						
31	Liner assembly—door—R.H. (Red)	AFH2562		1	1						
32	Liner assembly—door—R.H. (Black)	AFH6514		1	1						
33	Liner assembly—door—R.H. (Green)	AFH6510		1	1] Fin. (C) 2192		
34	Liner assembly—door—R.H. (Grey)	AFH6512		1	1						
35	Liner assembly—door—R.H. (Beige)			1	1			AFH6708	Com. (C) 2193		

SERVICE PARTS LIST

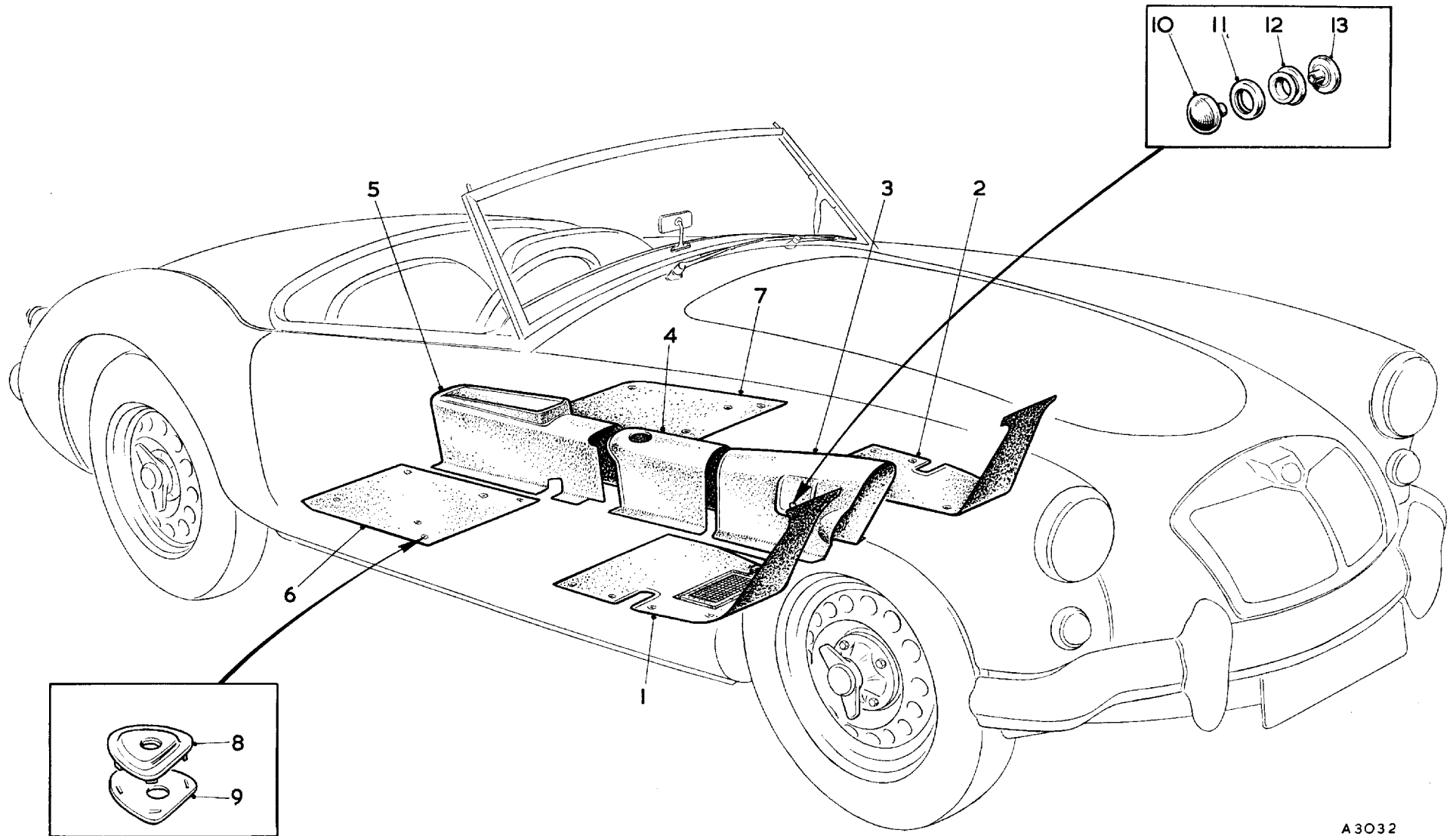
THE M.G. Series MGA TWIN CAM

Item No.	DESCRIPTION	Commencing (C) 501		Qty. per Vehicle		Unit of Issue	Type of Vehicle	MODIFICATIONS			REMARKS
		Part Number	Illus. No.	RHD	LHD			New Part Number	Change Point	Amdt. No.	
	Trimming—continued										
1	Liner assembly—door—L.H. (Red)	AFH2563	RM26	1	1						
2	Liner assembly—door—L.H. (Black)	AFH6515		1	1						
3	Liner assembly—door—L.H. (Green)	AFH6511		1	1				Fin. (C) 2192		
4	Liner assembly—door—L.H. (Grey)	AFH6513		1	1] Com. (C) 2193		
5	Liner assembly—door—L.H. (Beige)			1	1			AFH6709			
6	Screw fixing door liner (3/8")	RTP407		4	4						
7	Screw fixing door liner (1/2")	RTP404		22	22						
8	Washer for screw (cup)	7701		26	26						
9	Pocket assembly—door—R.H. (Red)	AFH2568		1	1						
10	Pocket assembly—door—R.H. (Black)	AFH6526		1	1						
11	Pocket assembly—door—R.H. (Green)	AFH6522		1	1				Fin. (C) 2192		
12	Pocket assembly—door—R.H. (Grey)	AFH6524		1	1] Com. (C) 2193		
13	Pocket assembly—door—R.H. (Beige)			1	1			AFH6712			
14	Pocket assembly—door—L.H. (Red)	AFH2569	RM27	1	1						
15	Pocket assembly—door—L.H. (Black)	AFH6527		1	1						
16	Pocket assembly—door—L.H. (Green)	AFH6523		1	1				Fin. (C) 2192		
17	Pocket assembly—door—L.H. (Grey)	AFH6525		1	1] Com. (C) 2193		
18	Pocket assembly—door—L.H. (Beige)			1	1			AFH6713			
19	Screw fixing door pocket	RTP404		24	24						
20	Liner assembly—rear quarter—R.H. (Red)	AFH2564		1	1						
21	Liner assembly—rear quarter—R.H. (Black)	AFH6520		1	1						
22	Liner assembly—rear quarter—R.H. (Green)	AFH6516		1	1				Fin. (C) 2192		
23	Liner assembly—rear quarter—R.H. (Grey)	AFH6518		1	1] Com. (C) 2193		
24	Liner assembly—rear quarter—R.H. (Beige)			1	1			AFH6710			
25	Liner assembly—rear quarter—L.H. (Red)	AFH2565	RM28	1	1						
26	Liner assembly—rear quarter—L.H. (Black)	AFH6521		1	1						
27	Liner assembly—rear quarter—L.H. (Green)	AFH6517		1	1				Fin. (C) 2192		
28	Liner assembly—rear quarter—L.H. (Grey)	AFH6519		1	1] Com. (C) 2193		
29	Liner assembly—rear quarter—L.H. (Beige)			1	1			AFH6711			
30	Screw fixing rear quarter liner	RTP404		2	2						
31	Washer for screw (cup)	7701		2	2						
32	Cover assembly—dash side mounting (Red)	AFH2567	RM29	2	2						
33	Cover assembly—dash side mounting (Black)	AFH5608		2	2						
34	Cover assembly—dash side mounting (Green)	AFH5606		2	2				Fin. (C) 2192		
35	Cover assembly—dash side mounting (Grey)	AFH5607		2	2] Com. (C) 2193		
36	Cover assembly—dash side mounting (Beige)			2	2			AFH6714			
37	Stowage assembly—sidescreen (Red)	AFH2570	RM30	1	1						
38	Stowage assembly—sidescreen (Black)	AFH5898		1	1						
39	Stowage assembly—sidescreen (Green)	AFH5896		1	1				Fin. (C) 2192		
40	Stowage assembly—sidescreen (Grey)	AFH5897		1	1] Com. (C) 2193		
41	Stowage assembly—sidescreen (Beige)			1	1			AFH6715			
42	Fastener—lift-the-dot	7H9961	RM31	7	7						
43	Plate—clinch	7H9963	RM32	7	7						
44	Clinch—pronged	7H9964	RM33	1	1						
45	Plate—clinch	7H9960	RM34	1	1						
46	Stud for lift-the-dot fastener	97H499	RM35	6	6						
47	Screw—stud to body	RTP605	RM36	12	12						

SERVICE PARTS LIST

THE M.G. Series MGA TWIN CAM

Item No.	DESCRIPTION	Commencing (C) 501		Qty. per Vehicle		Unit of Issue	Type of Vehicle	MODIFICATIONS			REMARKS
		Part Number	Illus. No.	RHD	LHD			New Part Number	Change Point	Amdt. No.	
	Trimming—continued										
1	Cover assembly—centre arm-rest (Red with Red piping)	AFH2609	RM37	1	1						
2	Cover assembly—centre arm-rest (Black with Red piping)	AFH6464		1	1						
3	Cover assembly—centre arm-rest (Black with White piping)	AFH6467		1	1						
4	Cover assembly—centre arm-rest (Green with Green piping)	AFH6462		1	1						
5	Cover assembly—centre arm-rest (Grey with Grey piping)	AFH6463		1	1						
6	Cover assembly—centre arm-rest (Black with Green piping)	AFH6465		1	1						
7	Cover assembly—centre arm-rest (Black with Grey piping)	AFH6466		1	1						
8	Cover assembly—centre arm-rest (Beige with Beige piping)			1	1		Tourer				
9	Cover assembly—centre arm-rest (Black with Blue piping)			1	1			AFH6692			
10	Cover—spare wheel (front)	AFH2571	RM38	1	1			AFH6693			
11	Cover—spare wheel (rear)	AFH2572	RM39	1	1						
12	Frame—spare wheel cover	AFH1731	RM40	1	1						
13	Rivet for frame	AFH5452	RM41	12	12						

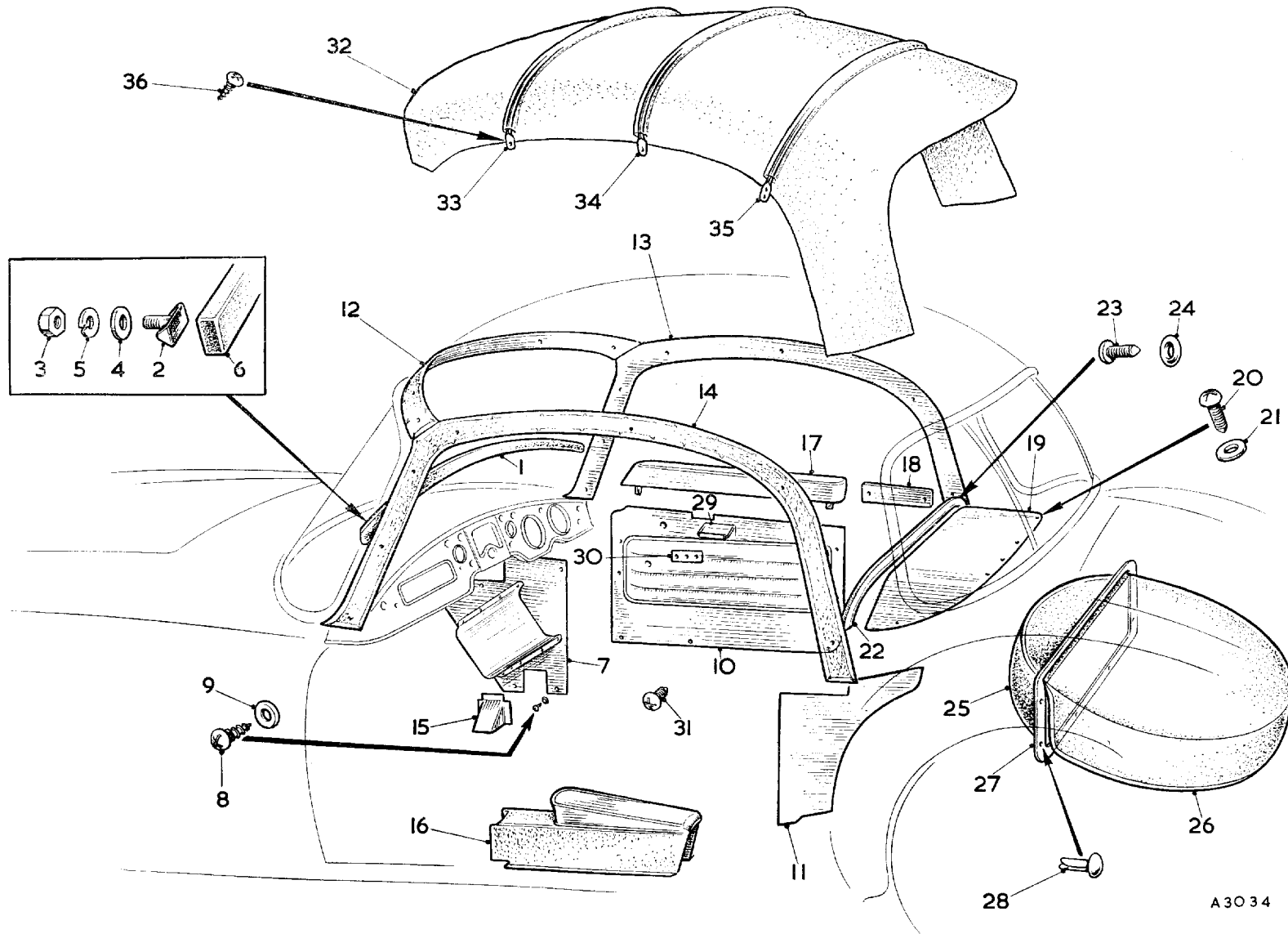


A3032

SERVICE PARTS LIST

THE M.G. Series MGA TWIN CAM

Item No.	DESCRIPTION	Commencing (C) 501		Qty. per Vehicle		Unit of Issue	Type of Vehicle	MODIFICATIONS			
		Part Number	Illus. No.	RHD	LHD			New Part Number	Change Point	Amdt. No.	REMARKS
	Trimming—continued										
1	Carpet assembly—front—R.H. (Black)	AFH6528	RN1	1		Tourer					
2	Carpet assembly—front—L.H. (Black)	AFH4825	RN2	1							
3	Carpet assembly—front—R.H. (Black)	AFH6530		1							
4	Carpet assembly—front—L.H. (Black)	AFH4827		1							
5	Carpet assembly—tunnel—front (Black)	AFH6529	RN3	1	1						
6	Carpet assembly—tunnel—intermediate (Black)	AFH2474	RN4	1	1						
7	Carpet assembly—tunnel—rear (Black) and arm-rest assembly (Red with Red piping)	AFH1860	RN5	1	1						
8	Carpet assembly—tunnel—rear (Black) and arm-rest assembly (Black with Red piping)	AFH6546		1	1						
9	Carpet assembly—tunnel—rear (Black) and arm-rest assembly (Black with White piping)	AFH6549		1	1						
10	Carpet assembly—tunnel—rear (Black) and arm-rest assembly (Green with Green piping)	AFH6544		1	1						
11	Carpet assembly—tunnel—rear (Black) and arm-rest assembly (Grey with Grey piping)	AFH6545		1	1						
12	Carpet assembly—tunnel—rear (Black) and arm-rest assembly (Black with Green piping)	AFH6547		1	1				Fin. (C) 2192		
13	Carpet assembly—tunnel—rear (Black) and arm-rest assembly (Black with Grey piping)	AFH6548		1	1						
14	Carpet assembly—tunnel—rear (Black) and arm-rest assembly (Beige with Beige piping)			1	1			AFH6716			
15	Carpet assembly—tunnel—rear (Black) and arm-rest assembly (Black with Blue piping)			1	1			AFH6717	Com. (C) 2193		
16	Carpet assembly—rear—R.H. (Black)	AFH2466	RN6	1	1						
17	Carpet assembly—rear—L.H. (Black)	AFH2467	RN7	1	1						
18	Fastener—lift-the-dot	7H9962	RN8	16	16						
19	Plate—clinch	7H9963	RN9	16	16						
20	Button—durable dot	7H9864	RN10	1	1						
21	Socket—durable dot	7H9866	RN11	1	1						
22	Stud—durable dot	7H9867	RN12	1	1						
23	Eyelet—durable dot	7H9868	RN13	1	1						



A 30 34

SERVICE PARTS LIST

THE M.G. Series MGA TWIN CAM

Item No.	DESCRIPTION	Commencing (C) 501		Qty. per Vehicle		Unit of Issue	Type of Vehicle	MODIFICATIONS			REMARKS
		Part Number	Illus. No.	RHD	LHD			New Part Number	Change Point	Amdt. No.	
	Trimming—continued										
1	Trim roll assembly—dash (Red with Red piping)	AFH4652	RO1	1	1						
2	Trim roll assembly—dash (Green with Green piping)	AFH5556		1	1						
3	Trim roll assembly—dash (Grey with Grey piping)	AFH5557		1	1						
4	Trim roll assembly—dash (Blue with Blue piping)	AFH5558		1	1				Fin. (C) 2291		
5	Trim roll assembly—dash (White with White piping)	AFH5559		1	1						
6	Trim roll assembly—dash (Black with Black piping)	AFH5560		1	1						
7	Trim roll assembly—dash (Beige with Beige piping)			1	1			AFH6740			
8	Trim roll assembly—dash (Black with Red piping)			1	1			AFH6741	Com. (C) 2292		
9	Trim roll assembly—dash (Black with Blue piping)			1	1			AFH6742			
10	Trim roll assembly—dash (Black with White piping)			1	1			AFH6743			
11	Bolt fixing dash trim roll (claw head)	AFH1900	RO2	6	6						
12	Nut for bolt	FNZ103	RO3	6	6						
13	Washer for nut (plain)	PWZ203	RO4	6	6						
14	Washer for nut (spring)	LWZ203	RO5	6	6						
15	Rubber—dash trim roll surround	AFH1846	RO6	1	1						
16	Liner assembly with map pocket—R.H. (Red)	AFH4642	RO7	1	1						
17	Liner assembly with map pocket—L.H. (Red)	AFH4643		1	1		Coupe				
18	Liner assembly with map pocket—R.H. (Black)	AFH5566		1	1						
19	Liner assembly with map pocket—L.H. (Black)	AFH5567		1	1						
20	Liner assembly with map pocket—R.H. (Green)	AFH5562		1	1						
21	Liner assembly with map pocket—L.H. (Green)	AFH5563		1	1				Fin. (C) 2291		
22	Liner assembly with map pocket—R.H. (Grey)	AFH5564		1	1						
23	Liner assembly with map pocket—L.H. (Grey)	AFH5565		1	1						
24	Liner assembly with map pocket—R.H. (Beige)			1	1			AFH6744	Com. (C) 2292		
25	Liner assembly with map pocket—L.H. (Beige)			1	1			AFH6745			
26	Screw fixing liner	RTP405	RO8	10	10						
27	Washer for screw (cup)	7701	RO9	10	10						
28	Liner assembly—door—R.H. (Red with Red piping)	AFH4644	RO10	1	1						
29	Liner assembly—door—L.H. (Red with Red piping)	AFH4645		1	1						
30	Liner assembly—door—R.H. (Black with White piping)	AFH5572		1	1						
31	Liner assembly—door—L.H. (Black with White piping)	AFH5573		1	1						
32	Liner assembly—door—R.H. (Black with Red piping)	AFH5574		1	1						
33	Liner assembly—door—L.H. (Black with Red piping)	AFH5575		1	1						

SERVICE PARTS LIST

THE M.G. Series MGA TWIN CAM

Item No.	DESCRIPTION	Commencing (C) 501		Qty. per Vehicle		Unit of Issue	Type of Vehicle	MODIFICATIONS			REMARKS
		Part Number	Illus. No.	RHD	LHD			New Part Number	Change Point	Amdt. No.	
	Trimming—continued										
1	Liner assembly—door—R.H. (Green with Green piping)	AFH5568		1	1		Coupé				
2	Liner assembly—door—L.H. (Green with Green piping)	AFH5569		1	1						
3	Liner assembly—door—R.H. (Grey with Grey piping)	AFH5570		1	1						
4	Liner assembly—door—L.H. (Grey with Grey piping)	AFH5571		1	1				Fin. (C) 2291		
5	Liner assembly—door—R.H. (Black with Green piping)	AFH5576		1	1						
6	Liner assembly—door—L.H. (Black with Green piping)	AFH5577		1	1						
7	Liner assembly—door—R.H. (Black with Blue piping)	AFH5578		1	1						
8	Liner assembly—door—L.H. (Black with Blue piping)	AFH5579		1	1						
9	Liner assembly—door—R.H. (Beige with Beige piping)			1	1				AFH6746		
10	Liner assembly—door—L.H. (Beige with Beige piping)			1	1				AFH6747	Com. (C) 2292	
11	Liner assembly—door—R.H. (Black with Blue piping)			1	1				AFH6805		
12	Liner assembly—door—L.H. (Black with Blue piping)			1	1				AFH6806		
13	Screw fixing door liner	RTP405		16	16						
14	Washer for screw (cup)	7701		16	16						
15	Liner assembly—rear quarter—R.H. (Red)	AFH4646	R011	1	1						
16	Liner assembly—rear quarter—L.H. (Red)	AFH4647		1	1						
17	Liner assembly—rear quarter—R.H. (Green)	AFH5580		1	1						
18	Liner assembly—rear quarter—L.H. (Green)	AFH5581		1	1				Fin. (C) 2291		
19	Liner assembly—rear quarter—R.H. (Grey)	AFH5582		1	1						
20	Liner assembly—rear quarter—L.H. (Grey)	AFH5583		1	1						
21	Liner assembly—rear quarter—R.H. (Black)	AFH5584		1	1						
22	Liner assembly—rear quarter—L.H. (Black)	AFH5585		1	1						
23	Liner assembly—rear quarter—R.H. (Red)			1	1			AFH6826			
24	Liner assembly—rear quarter—L.H. (Red)			1	1			AFH6827			
25	Liner assembly—rear quarter—R.H. (Beige)			1	1			AFH6748	Com. (C) 2292		
26	Liner assembly—rear quarter—L.H. (Beige)			1	1			AFH6749			
27	Liner assembly—rear quarter—R.H. (Black)			1	1			AFH6828			
28	Liner assembly—rear quarter—L.H. (Black)			1	1			AFH6829			
29	Screw fixing rear quarter liner	RTP405		10	10						
30	Washer for screw (cup)	7701		10	10						
31	Liner assembly—header (front)	AFH4653	R012	1	1						
32	Screw fixing header liner	RTP405		6	6						
33	Washer for screw (cup)	7701		6	6						
34	Liner assembly—cant rail—R.H.	AFH4654	R013	1	1						
35	Liner assembly—cant rail—L.H.	AFH4655	R014	1	1						
36	Screw fixing cant rail liner	RTP405		14	14						
37	Washer for screw (cup)	7701		14	14						

SERVICE PARTS LIST

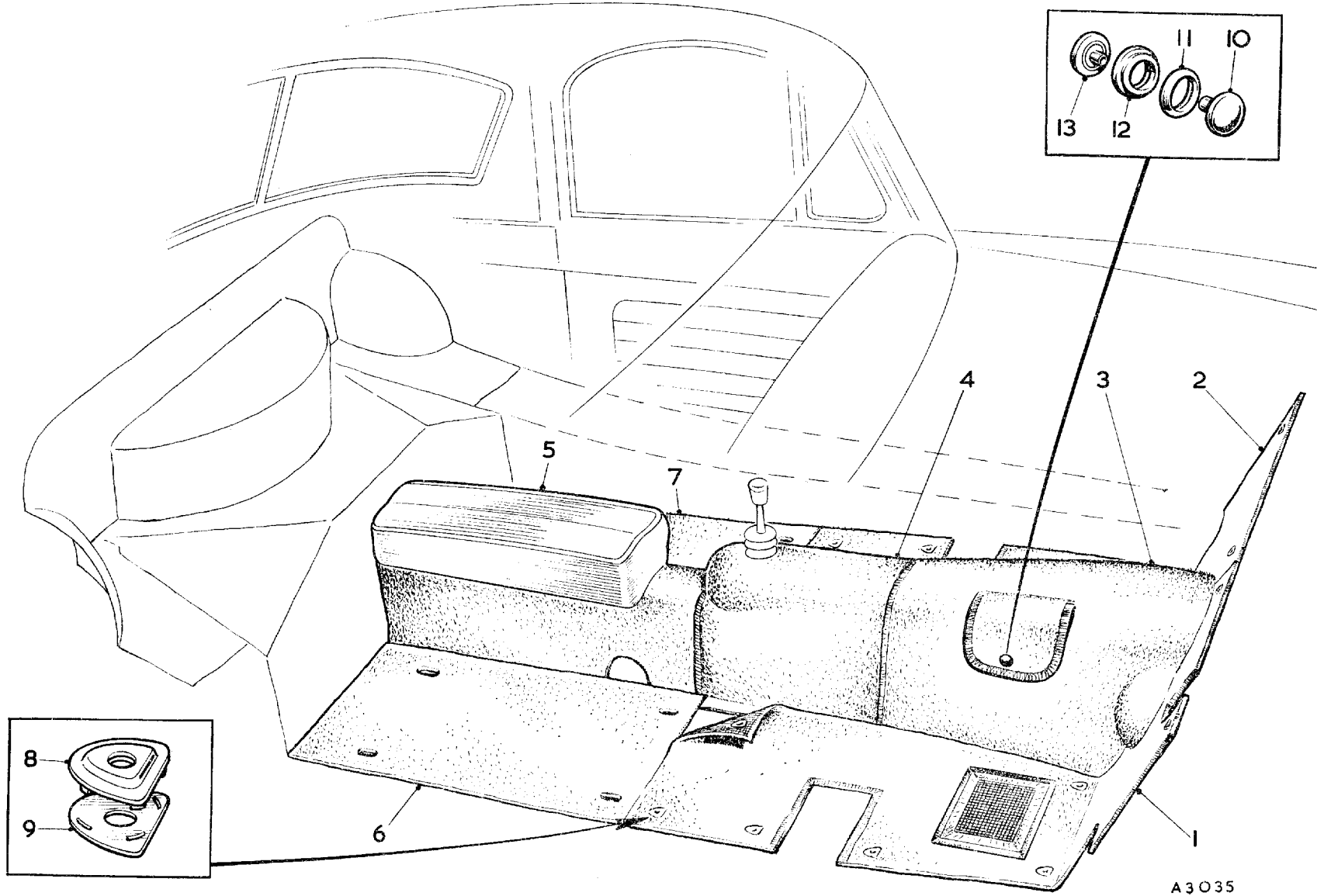
THE M.G. Series MGA TWIN CAM

Item No.	DESCRIPTION	Commencing (C) 501		Qty. per Vehicle		Unit of Issue	Type of Vehicle	MODIFICATIONS			REMARKS	
		Part Number	Illus. No.	RHD	LHD			New Part Number	Change Point	Amdt. No.		
	Trimming—continued											
1	Cover assembly—dash side mounting (Red)	AFH2567	R015	2	2		Coupe					
2	Cover assembly—dash side mounting (Black)	AFH5008		2	2							
3	Cover assembly—dash side mounting (Green)	AFH5606		2	2							
4	Cover assembly—dash side mounting (Grey)	AFH5607		2	2							
5	Cover assembly—dash side mounting (Beige)			2	2							
6	Cover assembly—centre arm-rest (Red with Red piping)	AFH4631	R016	1	1							
7	Cover assembly—centre arm-rest (Black with White piping)	AFH5552		1	1							
8	Cover assembly—centre arm-rest (Black with Red piping)	AFH5553		1	1							
9	Cover assembly—centre arm-rest (Green with Green piping)	AFH5550		1	1							
10	Cover assembly—centre arm-rest (Grey with Grey piping)	AFH5551		1	1							
11	Cover assembly—centre arm-rest (Black with Green piping)	AFH5554		1	1							
12	Cover assembly—centre arm-rest (Black with Blue piping)	AFH5555		1	1							
13	Cover assembly—centre arm-rest (Beige with Beige piping)			1	1							
14	Cover assembly—centre arm-rest (Black with Blue piping)			1	1							
15	Capping assembly—door—R.H. (Red)	AFH4648	R017	1	1							
16	Capping assembly—door—L.H. (Red)	AFH4649		1	1							
17	Capping assembly—door—R.H. (Black)	AFH5594		1	1							
18	Capping assembly—door—L.H. (Black)	AFH5595		1	1							
19	Capping assembly—door—R.H. (Green)	AFH5586		1	1							
20	Capping assembly—door—L.H. (Green)	AFH5587		1	1							
21	Capping assembly—door—R.H. (Grey)	AFH5588		1	1							
22	Capping assembly—door—L.H. (Grey)	AFH5589		1	1							
23	Capping assembly—door—R.H. (Blue)	AFH5590		1	1							
24	Capping assembly—door—L.H. (Blue)	AFH5591		1	1							
25	Capping assembly—door—R.H. (White)	AFH5592		1	1							
26	Capping assembly—door—L.H. (White)	AFH5593		1	1							
27	Capping assembly—door—R.H. (Beige)			1	1							
28	Capping assembly—door—L.H. (Beige)			1	1							
29	Screw fixing door capping	RTP408										
30	Washer for screw (cup)	7701										

SERVICE PARTS LIST

THE M.G. Series MGA TWIN CAM

Item No.	DESCRIPTION	Commencing (C) 501		Qty. per Vehicle		Unit of Issue	Type of Vehicle	MODIFICATIONS			REMARKS
		Part Number	Illus. No.	RHD	LHD			New Part Number	Change Point	Amdt. No.	
	Trimming—continued										
1	Capping assembly—rear quarter—R.H. (Red)	AFH4650	RO18	1	1						
2	Capping assembly—rear quarter—L.H. (Red)	AFH4651		1	1						
3	Capping assembly—rear quarter—R.H. (Green)	AFH5596		1	1						
4	Capping assembly—rear quarter—L.H. (Green)	AFH5597		1	1						
5	Capping assembly—rear quarter—R.H. (Grey)	AFH5598		1	1						
6	Capping assembly—rear quarter—L.H. (Grey)	AFH5599		1	1				Fin. (C) 2291		
7	Capping assembly—rear quarter—R.H. (Blue)	AFH5600		1	1						
8	Capping assembly—rear quarter—L.H. (Blue)	AFH5601		1	1						
9	Capping assembly—rear quarter—R.H. (White)	AFH5602		1	1						
10	Capping assembly—rear quarter—L.H. (White)	AFH5603		1	1						
11	Capping assembly—rear quarter—R.H. (Black)	AFH5604		1	1						
12	Capping assembly—rear quarter—L.H. (Black)	AFH5605		1	1						
13	Capping assembly—rear quarter—R.H.			1	1			AFH6652	Com. (C) 2292		
14	Capping assembly—rear quarter—L.H.			1	1			AFH6653			
15	Screw fixing rear quarter capping	RTP405		4	4						
16	Washer for screw (cup)	7701		4	4						
17	Shelf assembly—rear (Red)	AFH4660	RO19	1	1						
18	Shelf assembly—rear (Green)	AFH5609		1	1						
19	Shelf assembly—rear (Grey)	AFH5610		1	1				Fin. (C) 2291		
20	Shelf assembly—rear (Blue)	AFH5611		1	1						
21	Shelf assembly—rear (White)	AFH5612		1	1						
22	Shelf assembly—rear (Black)	AFH5613		1	1						
23	Shelf assembly—rear (Red)			1	1			AFH6764			
24	Shelf assembly—rear (Beige)			1	1			AFH6753	Com. (C) 2292		
25	Shelf assembly—rear (Black)			1	1			AFH6766			
26	Screw fixing rear shelf	PTZ604	RO20	4	4		Coupe				
27	Washer for screw (plain)	PWZ202	RO21	4	4						
28	Fillet assembly—rear shelf (Red)	AFH4656	RO22	1	1						
29	Fillet assembly—rear shelf (Green)	AFH5614		1	1						
30	Fillet assembly—rear shelf (Grey)	AFH5615		1	1				Fin. (C) 2291		
31	Fillet assembly—rear shelf (Blue)	AFH5616		1	1						
32	Fillet assembly—rear shelf (White)	AFH5617		1	1						
33	Fillet assembly—rear shelf (Black)	AFH5618		1	1						
34	Fillet assembly—rear shelf (Red)			1	1			AFH6755			
35	Fillet assembly—rear shelf (Beige)			1	1			AFH6754	Com. (C) 2292		
36	Fillet assembly—rear shelf (Black)			1	1			AFH6765			
37	Screw fixing rear shelf fillet	RTP606	RO23	6	6						
38	Washer for screw (cup)	7700	RO24	6	6						
39	Cover—spare wheel (front)	AFH5786	RO25	1	1						
40	Cover—spare wheel (rear)	AFH2572	RO26	1	1				Fin. (C) 2291		
41	Frame—spare wheel cover	AFH1731	RO27	1	1						
42	Rivet for frame	AFH5452	RO28	12	12						
43	Cover assembly—spare wheel			1	1			AFH6655	Com. (C) 2292		
44	Door-pull	AFH4512	RO29	2	2						
45	Plate fixing door-pull	AFB776	RO30	2	2						
46	Screw—plate to door	CTZ603	RO31	6	6						
47	Headlining assembly	AFH4657	RO32	1	1						
48	Listing rod—headlining (front)	AFH4485	RO33	1	1						
49	Listing rod—headlining (centre)	AFH4486	RO34	1	1						
50	Listing rod—headlining (rear)	AFH4487	RO35	1	1						
51	Screw—listing rod to body	AJD8172	RO36	8	8						



SERVICE PARTS LIST

THE M.G. Series MGA TWIN CAM

Item No.	DESCRIPTION	Commencing (C) 501		Qty. per Vehicle		Unit of Issue	Type of Vehicle	MODIFICATIONS			REMARKS
		Part Number	Illus. No.	RHD	LHD			New Part Number	Change Point	Amdt. No.	
	Trimming—continued										
1	Carpet assembly—front—R.H. (Grey)	AFH6536	RP1	1			Coupé				
2	Carpet assembly—front—L.H. (Grey)	AFH5755	RP2	1							
3	Carpet assembly—front—R.H. (Grey)	AFH6537			1						
4	Carpet assembly—front—L.H. (Grey)	AFH5757			1						
5	Carpet assembly—tunnel—front (Grey)	AFH6535	RP3	1	1						
6	Carpet assembly—tunnel—intermediate (Grey)	AFH5763	RP4	1	1						
7	Carpet assembly—tunnel—rear (Grey) and arm-rest assembly (Red with Red piping)	AFH4661	RP5	1	1						
8	Carpet assembly—tunnel—rear (Grey) and arm-rest assembly (Black with White piping)	AFH6552		1	1						
9	Carpet assembly—tunnel—rear (Grey) and arm-rest assembly (Black with Red piping)	AFH6553		1	1						
10	Carpet assembly—tunnel—rear (Grey) and arm-rest assembly (Green with Green piping)	AFH6550		1	1						
11	Carpet assembly—tunnel—rear (Grey) and arm-rest assembly (Grey with Grey piping)	AFH6551		1	1						
12	Carpet assembly—tunnel—rear (Grey) and arm-rest assembly (Black with Green piping)	AFH6554		1	1					Fin. (C) 2291	
13	Carpet assembly—tunnel—rear (Grey) and arm-rest assembly (Black with Blue piping)	AFH6555		1	1						
14	Carpet assembly—tunnel—rear (Grey) and arm-rest assembly (Beige with Beige piping)			1	1						
15	Carpet assembly—tunnel—rear (Grey) and arm-rest assembly (Black with Blue piping)			1	1				AFH6758		
16	Carpet assembly—rear—R.H. (Grey)	AFH5764	RP6	1	1				AFH6759		
17	Carpet assembly—rear—L.H. (Grey)	AFH5765	RP7	1	1					Com. (C) 2292	
18	Fastener—lift-the-dot	7H9962	RP8	16	16						
19	Plate—clinch	7H9963	RP9	16	16						
20	Button—durable dot	7H9864	RP10	1	1						
21	Socket—durable dot	7H9866	RP11	1	1						
22	Stud—durable dot	7H9867	RP12	1	1						
23	Eyelet—durable dot	7H9868	RP13	1	1						

SERVICE PARTS LIST

THE M.G. Series MGA TWIN CAM

Item No.	DESCRIPTION	Commencing (C) 501		Qty. per Vehicle		Unit of Issue	Type of Vehicle	MODIFICATIONS			REMARKS
		Part Number	Illus. No.	RHD	LHD			New Part Number	Change Point	Amdt. No.	
	BULK MATERIAL—TRIM										
1	Leathercloth—50" wide (Red)	AFH1831		A/R	A/R						
2	Leathercloth—50" wide (Green)	AFH1832		A/R	A/R						
3	Leathercloth—50" wide (Grey)	AFH1833		A/R	A/R				Fin. (C) 2192		
4	Leathercloth—50" wide (Black)	AFH1834		A/R	A/R						
5	Leathercloth—50" wide (Beige)			A/R	A/R			AFH6662	Com. (C) 2193		
6	Leathercloth—50" wide (Blue)	AFH4754		A/R	A/R] Coupé				
7	Leathercloth—50" wide (Off White)	AFH4755		A/R	A/R					Fin. (C) 2291	
8	Piping—door hinge pillar (Red)	AFH4771		A/R	A/R						
9	Piping—door hinge pillar (Green)	AFH4772		A/R	A/R						
10	Piping—door hinge pillar (Grey)	AFH4773		A/R	A/R				Fin. (C) 2192		
11	Piping—door hinge pillar (Black)	AFH4774		A/R	A/R						
12	Piping—door hinge pillar (Beige)			A/R	A/R			AFH6671	Com. (C) 2193		
13	Piping—trim roll (Red)	AFH4835		A/R	A/R						
14	Piping—trim roll (White)	AFH4838		A/R	A/R						
15	Piping—trim roll (Green)	AFH4836		A/R	A/R				Fin. (C) 2192		
16	Piping—trim roll (Grey)	AFH4837		A/R	A/R						
17	Piping—trim roll (Black)	AFH4839		A/R	A/R] Coupé		Fin. (C) 2291		
18	Piping—trim roll (Blue)	AFH4840		A/R	A/R						
19	Piping—trim roll (Blue)			A/R	A/R			AFH6667			
20	Piping—trim roll (Beige)			A/R	A/R			AFH6668	Com. (C) 2193		
21	Carpet—40" wide (Black)	ADE539		A/R	A/R		Tourer				
22	Carpet—40" wide (Grey)	AFH5785		A/R	A/R] Coupé				
23	Headlining	AFH4614		A/R	A/R						