

A3123

SERVICE PARTS LIST

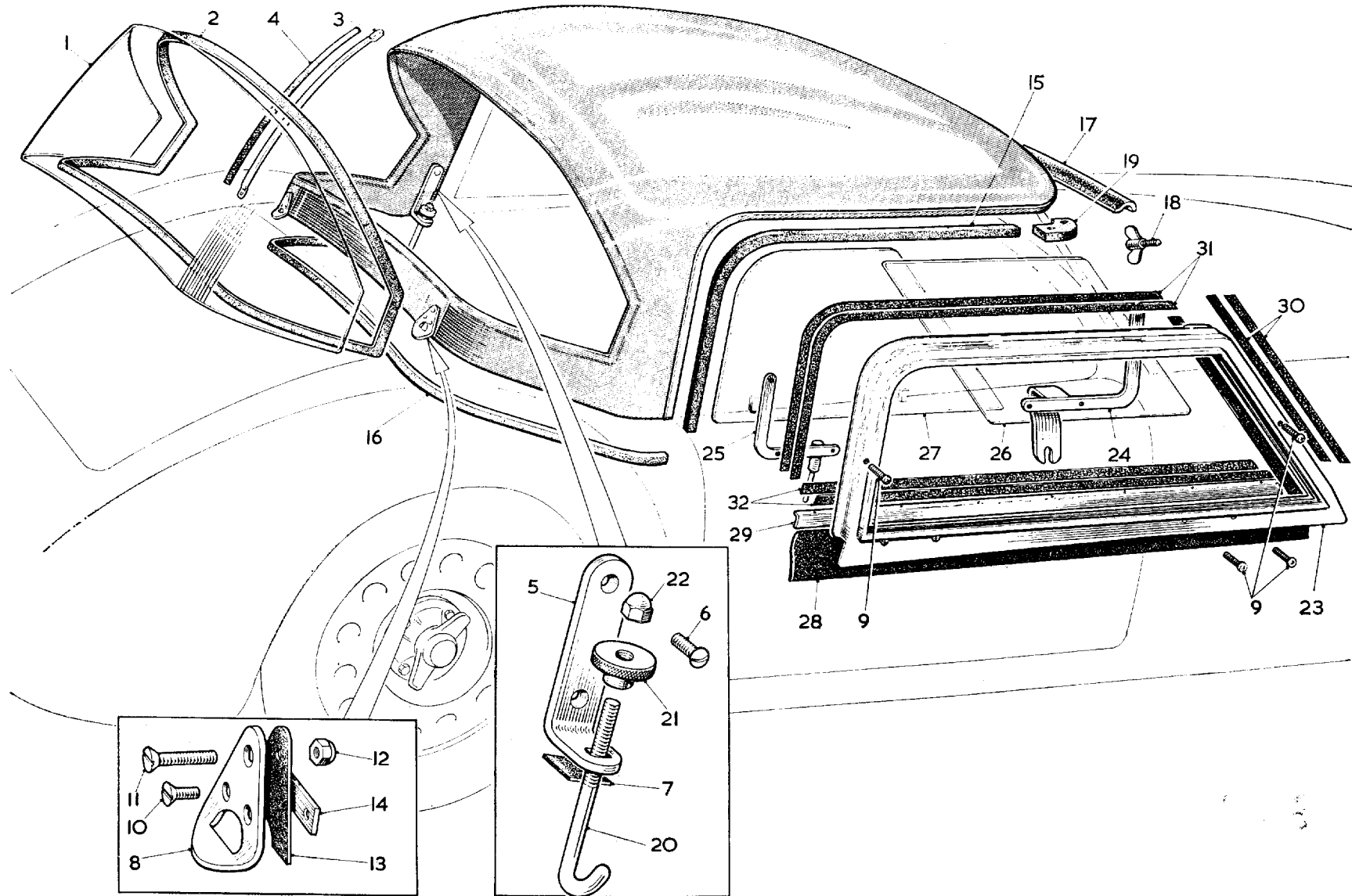
THE M.G. Series MGA TWIN CAM

Item No.	DESCRIPTION	Commencing (C) 501		Qty. per Vehicle		Unit of Issue	Type of Vehicle	MODIFICATIONS			REMARKS
		Part Number	Illus. No.	RHD	LHD			New Part Number	Change Point	Amdt. No.	
	HOOD										
1	Hood assembly (Black)	AKE1760		1	1] Fin. (C) 2192		
2	Hood assembly (Ice Blue)	AKE1761		1	1						
3	Hood assembly (Grey)			1	1			AFH6636] Com. (C) 2193		
4	Hood assembly (Beige)			1	1			AFH6796			
5	Hood assembly (Blue)			1	1			AFH6797			
6	Frame assembly—hood	AFH2727	RQ1	1	1			AFH6770			
7	Stick—hood	AFH1746	RQ2	1	1			AFH6771			
8	Socket—stick	AFH2635	RQ3	2	2						
9	Wing bolt—hood to screen	MB22438	RQ4	2	2						
10	Canopy assembly—hood (Black)	AKE1762	RQ5	1	1] Fin. (C) 2192		
11	Canopy assembly—hood (Ice Blue)	AKE1763		1	1						
12	Canopy assembly (Grey)			1	1			AFH6802] Com. (C) 2193		
13	Canopy assembly (Beige)			1	1			AFH6804			
14	Canopy assembly (Blue)			1	1	Tourer		AFH6803			
15	Lift-the-dot fastener	7H9961	RQ6	6	6						
16	Lift-the-dot clinch plate	7H9963	RQ7	6	6						
17	Eyelet—turn-button fastener	97H498	RQ8	2	2						
18	Washer—turn-button fastener	97H497	RQ9	2	2						
19	Attachment plate—hood to body	AFH2659	RQ10	1	1						
20	Plate—hood retaining	AFH1741	RQ11	2	2						
21	Washer for plate (cup)	MB19956	RQ12	2	2						
22	Screw fixing plate	PMZ0304	RQ13	2	2						
23	Screw fixing plate	PMZ0306	RQ14	2	2						
24	Peg—rear fixing	183599	RQ15	6	6						
25	Nut for peg	AJD8012Z	RQ16	6	6						
26	Washer for screw (spring)	LWZ203	RQ17	6	6						
27	Turn-button—single	97H496	RQ18	2	2						
28	Screw fixing turn-button	RTP404	RQ19	4	4						Correction. Was 17H9510

SERVICE PARTS LIST

THE M.G. Series MGA TWIN CAM

Item No.	DESCRIPTION	Commencing (C) 501		Qty. per Vehicle		Unit of Issue	Type of Vehicle	MODIFICATIONS			REMARKS
		Part Number	Illus. No.	RHD	LHD			New Part Number	Change Point	Amdt. No.	
	TONNEAU COVER (Optional Extra)										
1	Tonneau cover assembly (Black)	AKE1756	RQ20	1							
2	Tonneau cover assembly (Ice Blue)	AKE1757		1							
3	Tonneau cover assembly (Black)	AKE1758			1				Fin. (C) 993		
4	Tonneau cover assembly (Ice Blue)	AKE1759			1						
5	Zip fastener	AFH2687	RQ21	1	1						
6	Tonneau cover assembly (Black)			1				AFH6572			
7	Tonneau cover assembly (Ice Blue)			1				AFH6574	Com. (C) 994		
8	Tonneau cover assembly (Black)				1			AFH6571			
9	Tonneau cover assembly (Ice Blue)				1			AFH6573			
10	Tonneau cover assembly (Grey)			1				AHH5975			
11	Tonneau cover assembly (Beige)			1				AHH5971			
12	Tonneau cover assembly (Blue)			1				AHH5973	Com. (C) 2193		
13	Tonneau cover assembly (Grey)				1			AHH5976			
14	Tonneau cover assembly (Beige)				1			AHH5972			
15	Tonneau cover assembly (Blue)				1		Tourer	AHH5974			
16	Zip fastener			1	1			AFH6608	Com. (C) 994		
17	Lift-the-dot fastener	7H9961	RQ22	20/12	20/12						Quantity reduced at (C) 994
18	Lift-the-dot clinch plate	7H9963	RQ23	20/12	20/12						
19	Eyelet—turn-button fastener	97H498	RQ24	2	2						
20	Washer—turn-button fastener	97H497	RQ25	2	2						
21	Screw base—lift-the-dot	97H499		8/6	8/6						
22	Screw fixing base	RTP603		12	12						
23	Stud—lift-the-dot	97H717		12/6	12/6						Quantity reduced at (C) 994
24	Nut for stud	AJD8012Z		12/6	12/6						
25	Washer for nut	LWZ203		12/6	12/6						
26	Washer for nut	PWZ203		12/6	12/6						
27	Screw for stud	RMP0208		4	4						
28	Washer (plain)	PWZ202		4	4				Fin. (C) 993		
29	Washer (spring)	LWZ202		4	4						
30	Nut for screw	CNZ102		4	4						



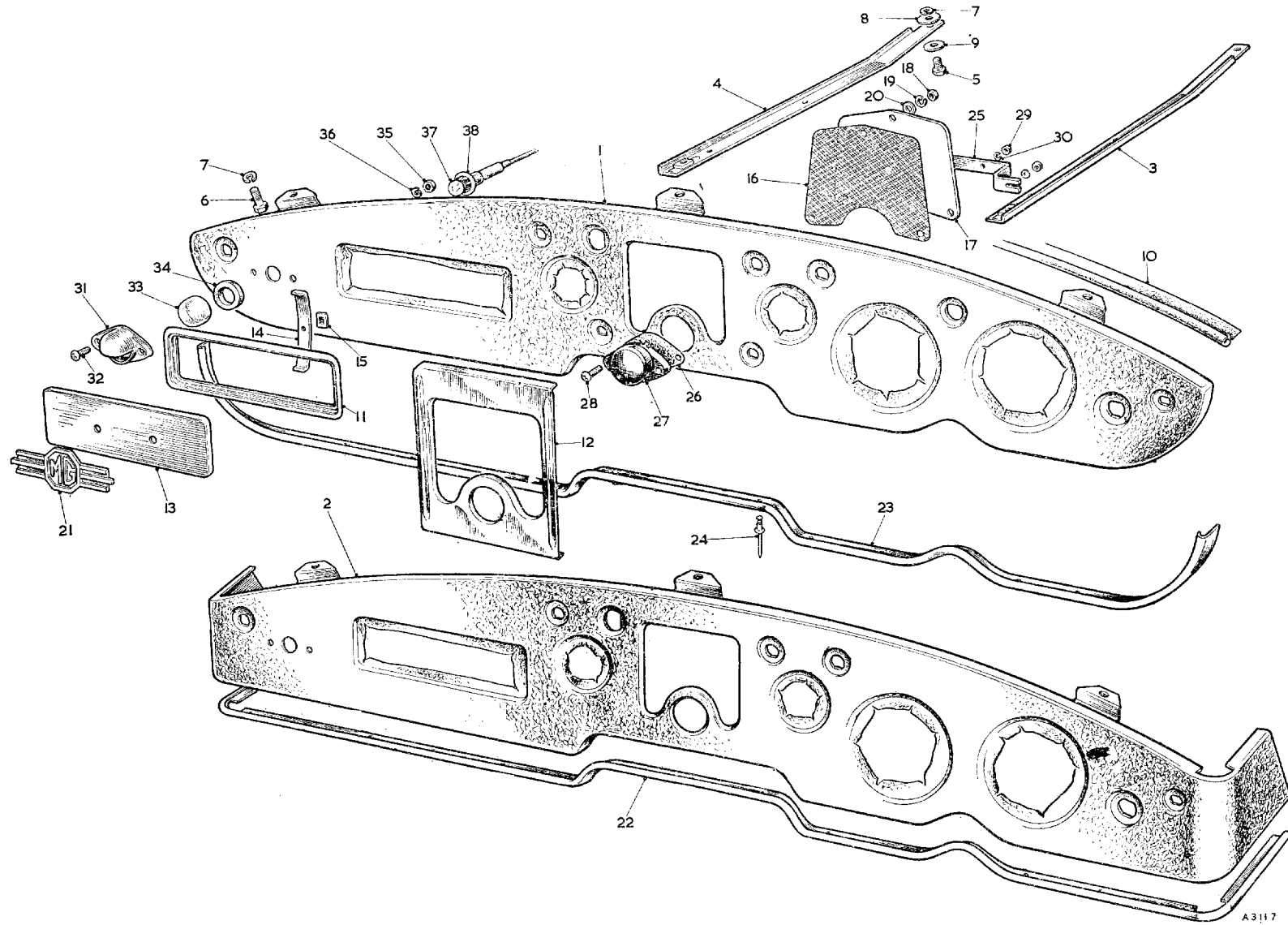
A2988

SERVICE PARTS LIST

THE M.G. Series MGA TWIN CAM

Item No.	DESCRIPTION	Commencing (C) 501		Qty. per Vehicle		Unit of Issue	Type of Vehicle	MODIFICATIONS			REMARKS
		Part Number	Illus. No.	RHD	LHD			New Part Number	Change Point	Amdt. No.	
	HARD TOP (Optional Extra)										
1	Hard top assembly	AHH5562		1	1		Tourer				
2	Window—rear	AHH5660	RR1	1	1						
3	Rubber for rear window—sealing	AHH5661	RR2	1	1						
4	Strut—rear window (inner)	AHH5662	RR3	2	2						
5	Rubber for inner strut	AHH5663	RR4	2	2						
6	Bracket—side (main)	AHH5664	RR5	2	2						
7	Screw fixing main bracket to canopy	AJD2446C	RR6	4	4						
8	Rubber for side bracket	AHH5665	RR7	2	2						
9	Bracket—retaining (rear)	AHH5666	RR8	2	2						
10	Screw—bracket to canopy	RMP0307	RR10	4	4						
11	Screw—rear bracket to inner strut	AJD2448C	RR11	2	2						
12	Cap nut for bracket to inner strut screw	AJJ3125	RR12	2	2						
13	Grommet for retaining bracket	AHH5667	RR13	2	2						
14	Plate—backing—retaining bracket	AHH5674	RR14	2	2						
15	Rubber—sealing (side)	AHH5668	RR15	2	2						
16	Rubber—sealing (rear)	AHH5673	RR16	1	1						
17	Rubber—sealing—canopy	AHH5669	RR17	1	1						
18	Screw—thumb—canopy retaining	AHH5670	RR18	2	2						
19	Canopy rail end—R.H. (rubber)	AHH5671	RR19	1	1						
20	Canopy rail end—L.H. (rubber)	AHH5672		1	1						
21	Clip assembly—main retaining (side)	AHH5650	RR20	2	2						
22	Knob	AHH5652	RR21	1	1						
23	Cap nut	AHH5653	RR22	1	1						
	SLIDING SIDESCREEN										
24	Sidescreen assembly—sliding—R.H.	AHH5731		1	1						
25	Sidescreen assembly—sliding—L.H.	AHH5732		1	1						
26	Frame—R.H.	AHH5733	RR23	1	1						
27	Frame—L.H.	AHH5734		1	1						
28	Bracket—front securing—R.H.	AHH5735	RR24	1	1						
29	Bracket—front securing—L.H.	AHH5736		1	1						
30	Bracket—peg—R.H.	AHH5737	RR25	1	1						
31	Bracket—peg—L.H.	AHH5738		1	1						
32	Screw fixing bracket	PMP0310	RR9	12	12						
33	Screen—fixed	AHH5739	RR26	2	2						
34	Screen—sliding—R.H.	AHH5740	RR27	1	1						
35	Screen—sliding—L.H.	AHH5741		1	1						
36	Rubber—sealing—R.H.	AHH5808	RR28	1	1						
37	Rubber—sealing—L.H.	AHH5742		1	1						
38	Retainer—sealing rubber—R.H.	AHH5743	RR29	1	1						
39	Retainer—sealing rubber—L.H.	AHH5744		1	1						
40	Felt—glazing (front)	AHH5745	RR30	2	2						
41	Felt—glazing (upper)	AHH5746	RR31	2	2						
42	Felt—glazing (lower)	AHH5747	RR32	2	2						

For use with Hard top assembly only



SERVICE PARTS LIST

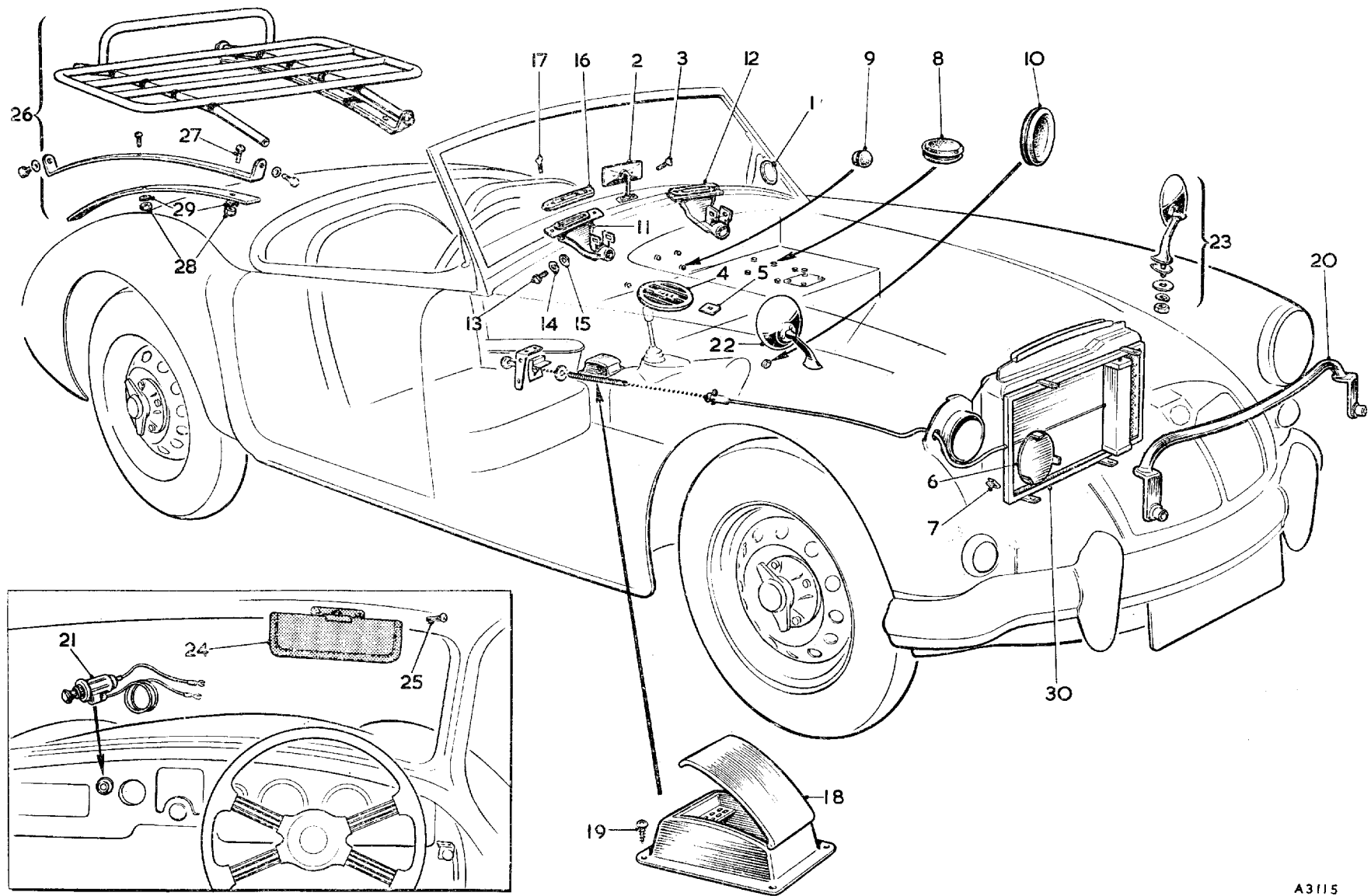
THE M.G. Series MGA TWIN CAM

Item No.	DESCRIPTION	Commencing (C) 501		Qty. per Vehicle		Unit of Issue	Type of Vehicle	MODIFICATIONS			REMARKS	
		Part Number	Illus. No.	RHD	LHD			New Part Number	Change Point	Amdt. No.		
	FASCIA PANEL											
1	Panel assembly—fascia (Red)	AFH5822	RS1	1			Tourer					
2	Panel assembly—fascia (Green)	AFH6838		1								
3	Panel assembly—fascia (Grey)	AFH6840		1						Fin. (C) 2192		
4	Panel assembly—fascia (Black)	AFH6844		1								
5	Panel assembly—fascia (Beige)			1								
6	Panel assembly—fascia (Red)	AFH5823		1					AFH6842	Com. (C) 2193		
7	Panel assembly—fascia (Green)	AFH6839		1								
8	Panel assembly—fascia (Grey)	AFH6841		1						Fin. (C) 2192		
9	Panel assembly—fascia (Black)	AFH6845		1								
10	Panel assembly—fascia (Beige)			1					AFH6843	Com. (C) 2193		
11	Panel assembly—fascia (Red)	AFH4658	RS2	1			Coupé					
12	Panel assembly—fascia (Green)	AFH5620		1								
13	Panel assembly—fascia (Grey)	AFH5622		1						Fin. (C) 2291		
14	Panel assembly—fascia (Blue)	AFH5624		1								
15	Panel assembly—fascia (White)	AFH5626		1								
16	Panel assembly—fascia (Black)	AFH5628		1								
17	Panel assembly—fascia (Beige)			1								
18	Panel assembly—fascia (Red)	AFH4659		1					AFH6756	Com. (C) 2292		
19	Panel assembly—fascia (Green)	AFH5621		1								
20	Panel assembly—fascia (Grey)	AFH5623		1						Fin. (C) 2291		
21	Panel assembly—fascia (Blue)	AFH5625		1								
22	Panel assembly—fascia (White)	AFH5627		1								
23	Panel assembly—fascia (Black)	AFH5629		1								
24	Panel assembly—fascia (Beige)			1				AFH6757	Com. (C) 2292			
25	Support angle assembly—R.H.	AFH1712	RS3	2	2							
26	Support angle assembly—L.H.	AFH1713	RS4	2	2							
27	Screw—support angle	PPZ0308	RS5	8	8							
28	Screw—support angle	AFH2587	RS6	3	3							
29	Washer for screw (spring)	LWZ203	RS7	11	11							
30	Washer for screw (plain)	PWZ204	RS8	3	3							
31	Washer for screw (plain)	PWZ203	RS9	8	8							
32	Piping—fascia panel (Red)	AFH4841	RS10	A/R	A/R							
33	Piping—fascia panel (Green)	AFH4842		A/R	A/R							
34	Piping—fascia panel (Grey)	AFH4843		A/R	A/R				Fin. Tourer (C) 2192, Coupé (C) 2291			
35	Piping—fascia panel (White)	AFH4844		A/R	A/R							
36	Piping—fascia panel (Black)	AFH4845		A/R	A/R							
37	Piping—fascia panel (Blue)	AFH4846		A/R	A/R		Coupé		Fin. (C) 2291			
38	Piping—fascia panel (Blue)			A/R	A/R			AFH6669	Com. Tourer (C) 2193,			
39	Piping—fascia panel (Beige)			A/R	A/R			AFH6670	Coupé (C) 2292			

SERVICE PARTS LIST

THE M.G. Series MGA TWIN CAM

Item No.	DESCRIPTION	Commencing (C) 501		Qty. per Vehicle		Unit of Issue	Type of Vehicle	MODIFICATIONS			
		Part Number	Illus. No.	RHD	LHD			New Part Number	Change Point	Amdt. No.	REMARKS
	Fascia Panel—continued										
1	Bezel—radio aperture	AFH5255	RS11	1	1						
2	Bezel—radio speaker	AFH4520	RS12	1	1						
3	Plate—blanking—radio aperture	ARH59	RS13	1	1						
4	Clip—blanking plate to fascia panel	AHH5256	RS14	2	2						
5	Nut—clip (Spire)	ADB509	RS15	2	2						
6	Grille—radio speaker	AHH5254	RS16	1	1						
7	Plate—blanking—radio speaker grille	AHH5376	RS17	1	1						
8	Nut—blanking plate to panel	FNZ103	RS18	3	3						
9	Washer for nut (spring)	LWZ203	RS19	3	3						
10	Washer for nut (plain)	PWZ103	RS20	3	3						
11	Motif—'M.G.'	AHH5258	RS21	1	1						
12	Finisher—fascia panel (lower)	AFH4488	RS22	1] Coupé] Tourer				
13	Finisher—fascia panel (lower)	AFH4489			1						
14	Finisher—fascia panel (lower)	AFH5476	RS23	1							
15	Finisher—fascia panel (lower)	AFH5477			1						
16	Rivet—finisher and radio bezel	AFH5453	RS24	23	23						
17	Bracket—horn-push	AHH5287	RS25	1	1						
18	Insulating piece—horn-push	AHH5257	RS26	1	1						
19	Horn-push	2H3383	RS27	1	1						
20	Screw—push to bracket	PMZ0210	RS28	2	2						
21	Nut for screw	CNZ102	RS29	2	2						
22	Washer for screw (spring)	LWZ202	RS30	2	2						
23	Cover assembly—map light	37H5426	RS31	1	1						
24	Screw—map light cover to fascia panel	RMP0310	RS32	2	2						
25	Glass—map light	17H5301	RS33	1	1						
26	Rubber—map light glass	17H5302	RS34	1	1						
27	Nut for screw	FNZ103	RS35	2	2						
28	Washer for screw (spring)	LWZ203	RS36	2	2						
29	Bulb—map light	2H4732	RS37	2	2						
30	Bulbholder	37H5181	RS38	1	1						
31	Sleeve	3H999		1	1						

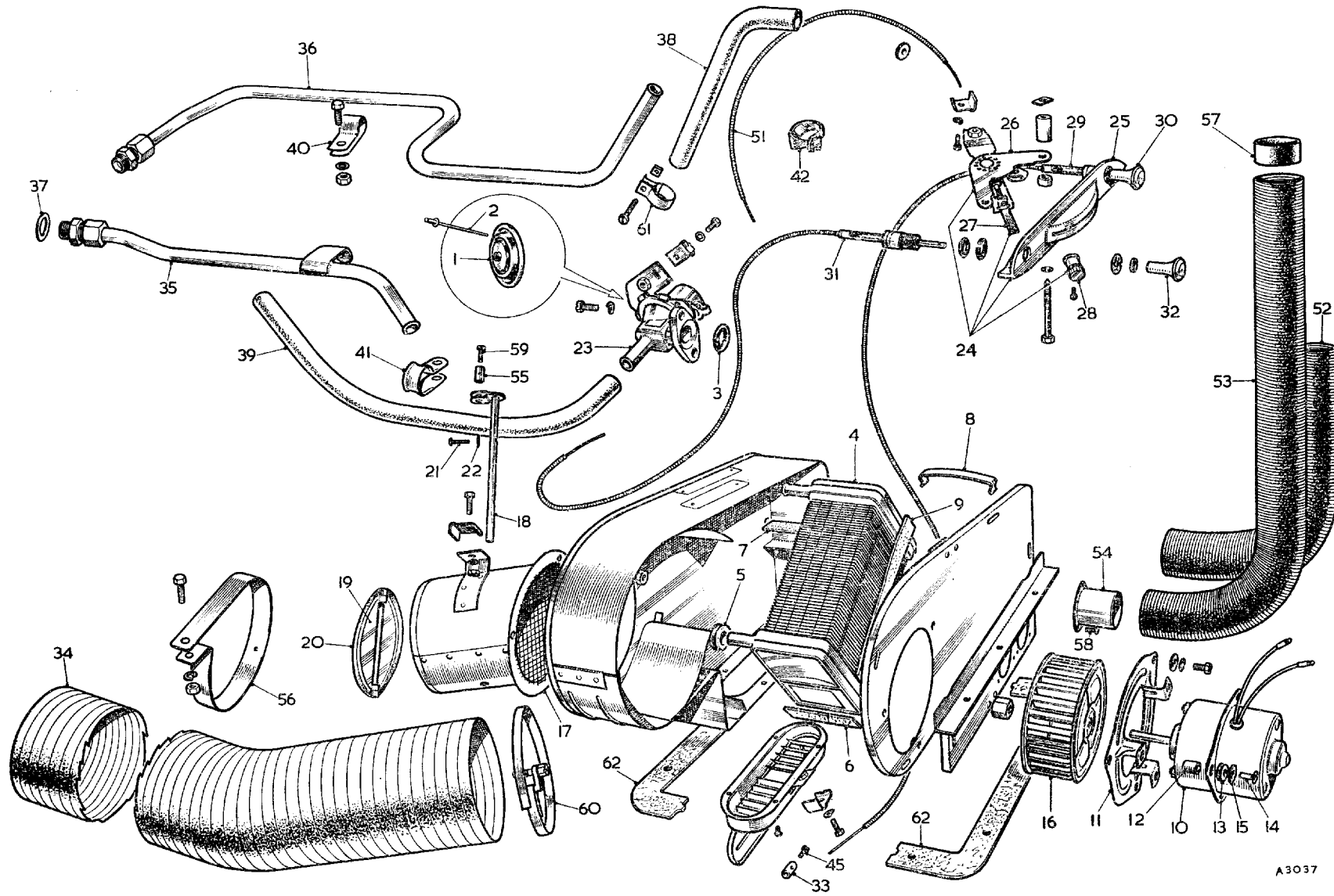


A3115

SERVICE PARTS LIST

THE M.G. Series MGA TWIN CAM

Item No.	DESCRIPTION	Commencing (C) 501		Qty. per Vehicle		Unit of Issue	Type of Vehicle	MODIFICATIONS			REMARKS
		Part Number	Illus. No.	RHD	LHD			New Part Number	Change Point	Amdt. No.	
<u>SUNDRIES</u>											
1	Licence holder	180260	RT1	1	1		Tourer				
2	Licence holder	14A3283		1	1		Coupé				
3	Mirror—rear view	AHH5198	RT2	1	1						
4	Screw—mirror to body	RMP0310	RT3	2	2						
5	Ventilator grille—air duct (MGA)	AHH5294	RT4	2	2						
6	Clip fixing grille (Spire)	PFS104	RT5	8	8						
7	Disc—blanking air tube	AHH5396	RT6	1	1						Not required when heater is fitted
8	Clip fixing blanking disc	ADH3809	RT7	3	3						
9	Grommet—master cylinder box holes—bulkhead	RFR208	RT8	8	8						
10	Grommet (1/4")	RFN204	RT9	6	6						Cars less radio
11	Grommet—blanking dipper switch hole	4G2541	RT10	1							
12	Grommet—blanking dipper switch hole	2H8041			3						
13	Grommet—blanking dipper switch hole				1			4G2541	Fin. (C) 2280 Com. (C) 2281		
14	Nozzle—demister—R.H.	AFH1748	RT11	1	1						
15	Nozzle—demister—L.H.	AFH1749	RT12	1	1						
16	Screw—fixing nozzle	AFH2587	RT13	4	4						
17	Washer for screw (spring)	LWZ203	RT14	4	4						
18	Washer for screw (plain)	PWZ203	RT15	4	4						
19	Finisher—demister nozzle	182143	RT16	2	2						
20	Screw for finisher	RTP804	RT17	4	4						
21	Ashtray (chrome and black enamel)	AHH5539	RT18	1	1						
22	Screw—fixing ashtray	PTP604	RT19	4	4						
23	Bar assembly—badge	AHH5565	RT20	1	1						
24	Lighter—cigar	AHH5759	RT21	1	1						
25	Mirror assembly—wing—R.H.	AHH5526	RT22	1	1						} Alternatives
26	Mirror assembly—wing—L.H.	AHH5527	RT23	1	1						
27	Mirror assembly—wing	BHA4066		2	2						
28	Visor—sun	AHH5710	RT24	2	2		Coupé				} Optional extras
29	Screw fixing sun visor	RTP806	RT25	4	4						
30	Carrier—luggage (with fittings)	AHH5495	RT26	1	1						
31	Screw—luggage carrier to boot lid	RMP0514	RT27	6	6						
32	Nut for screw	LNZ205	RT28	6	6						
33	Washer for screw (plain)	PWZ105	RT29	6	6						
34	Blind assembly—radiator	AHH5900	RT30	1	1						
35	Roller and blind	97H2473		1	1						
36	Ball chain with knob	97H2475		1	1						
37	Cable—blind to chain	97H2474		1	1						
38	Pad—bulkhead sound deadener	AHH5596		1							
39	Pad—bulkhead sound deadener	AHH5597		1	1						
40	Pad—heater cover plate	AHH5598		1	1						



A3037

SERVICE PARTS LIST

THE M.G. Series MGA TWIN CAM

Item No.	DESCRIPTION	Commencing (C) 501		Qty. per Vehicle		Unit of Issue	Type of Vehicle	MODIFICATIONS			REMARKS
		Part Number	Illus. No.	RHD	LHD			New Part Number	Change Point	Amdt. No.	
	HEATING AND VENTILATING EQUIPMENT										
1	Heater kit assembly	8G9037		1	1						
2	Unit assembly—heater	AHH5760		1	1						
3	Diaphragm	27H613	RU1	1	1						
4	Rivet	17H1793	RU2	1	1						
5	Seal—ring	27H614	RU3	1	1						
6	Radiator	17H1794	RU4	1	1						
7	Grommet	7H1993	RU5	1	1						
8	Seal (felt)	17H1795	RU6	2	2						
9	Pad—seal	17H1796	RU7	2	2						
10	Clip (spring)	17H1595	RU8	2	2						
11	Pad—seal	17H1797	RU9	2	2						
12	Motor	17H1798	RU10	1	1						
13	Plate—motor mounting	17H1799	RU11	1	1						
14	Distance piece	17H1239	RU12	3	3						
15	Grommet	17H1292	RU13	3	3						
16	Rivet	17H1800	RU14	3	3						
17	Washer (plain)	17H1613	RU15	3	3						
18	Runner assembly	17H1801	RU16	1	1						
19	Gauze	17H1597	RU17	1	1						
20	Arm and spindle assembly	17H1802	RU18	1	1						
21	Flap—valve	17H1606	RU19	1	1						
22	Seal	17H1607	RU20	1	1						
23	Screw	17H1618	RU21	2	2						
24	Screw	17H1608	RU22	2	2						
25	Valve—water	27H1660	RU23	1	1						
26	Control assembly—lever (less cables)	AHH5531	RU24	1	1						
27	Escutcheon—heater control unit	17H518	RU25	1	1						
28	Lever control sub-assembly	7H1985	RU26	1	1						
29	Lever and switch assembly	7H1986	RU27	1	1						
30	Knob	17H490	RU28	1	1						
31	Control—push-pull—demist (short)	AHH5787	RU29	1	1						
32	Knob	17H1683	RU30	1	1						
33	Control—push-pull—air (long)	AHH5786	RU31	1	1						
34	Knob	17H1683	RU32	1	1						
35	Trunnion—heater door	14A5753	RU33	1	1						
36	Hose—air (36")	AHH5785	RU34	1	1						
37	Pipe and union assembly—inlet (water)	AHH5843	RU35	1	1						
38	Pipe and union assembly—outlet (water)	AHH5844	RU36	1	1						
39	Washer—union (aluminium)	BHA4088	RU37	2	2						
40	Hose—water (1/2" x 12 1/2")	AHH5437	RU38	1	1						
41	Hose—water (1/2" x 25")	BHA4089	RU39	1	1						
42	Cleat—copper water pipes	BHA4090	RU40	2	2						
43	Cleat—water hose retaining	BHA4091	RU41	1	1						

SERVICE PARTS LIST

THE M.G. Series MGA TWIN CAM

Item No.	DESCRIPTION	Commencing (C) 501		Qty. per Vehicle		Unit of Issue	Type of Vehicle	MODIFICATIONS			REMARKS
		Part Number	Illus. No.	RHD	LHD			New Part Number	Change Point	Amdt. No.	
	Heating and Ventilating Equipment—continued										
1	Clip for cable	AHH5440	RU42	1	1						
2	Screw	HZS0405	RU43	2	2						
3	Screw	PMZ0316	RU44	1	1						
4	Screw	PMZ0308	RU45	2	2						
5	Nut	FNZ104	RU46	2	2						
6	Nut	FNZ103	RU47	3	3						
7	Washer (shakeproof).....	17H1638	RU48	2	2						
8	Washer (spring)	LWZ204	RU49	2	2	12					
9	Washer (spring)	LWZ203	RU50	1	1						
10	Cable (34 $\frac{1}{2}$ ").....	AHH5529	RU51	1	1						
11	Hose—air (14").....	AHH5427	RU52	1	1						
12	Hose—air (25").....	AHH5428	RU53	1	1						
13	Tube—demist	AHH5426	RU54	2	2						
14	Trunnion	14G6451	RU55	3	3						
15	Clamp—hose	AHH5714	RU56	3	3						
16	Adaptor—demister	AHH5429	RU57	2	2						
17	Screw (No. 4 \times $\frac{1}{2}$ ").....	AHH5591	RU58	6	6						
18	Screw (No. 6 \times $\frac{3}{8}$ ").....	AHH5593	RU59	4	4						
19	Clip	14G800	RU60	2	2						
20	Clip for hose.....	301140	RU61	4	4						
21	Gasket for bulkhead blanking plate.....	AHH5253	RU62	2	2						
	FRESH-AIR VENTILATION EQUIPMENT										
22	Fresh-air kit assembly	8G9038		1	1						
23	Unit assembly—fresh-air	AHH5797		1	1						
24	Control—push-pull (air)	AHH5786		1	1						
25	Knob	17H1683		1	1						
26	Switch	17H1941		1	1						
27	Hose—air (36").....	AHH5785		1	1						
28	Hose—air (intake)	AHH5394		1	1						
29	Trunnion	14G6451		1	1						
30	Bracket—push-pull control	17H1938		1	1						
31	Bracket—blower switch	17H1939		1	1						
32	Clip	AHH5714		3	3						
33	Screw (No. 6 \times $\frac{5}{16}$ " raised head)	17H1940		4	4						
34	Screw (No. 6 \times $\frac{5}{16}$ " recessed head)	53K155		1	1						
35	Screw (No. 10 \times 1").....	PMZ0316		3	3						
36	Nut for screw.....	FNZ103		3	3						
37	Washer for nut (spring)	LWZ203		3	3						
38	Clip	14G800		2	2						
39	Wire assembly—blower switch to harness	17H1984		1	1						
40	Wire assembly—blower switch to harness	17H1983		1	1						
41	Gasket for bulkhead blanking plate.....	AHH5253		2	2						

