

Oil cooler

An aluminium alloy oil cooler is available. This is supplied complete with high-duty flexible hoses and can easily be mounted on the floor behind the radiator grille as depicted in Fig. 4.

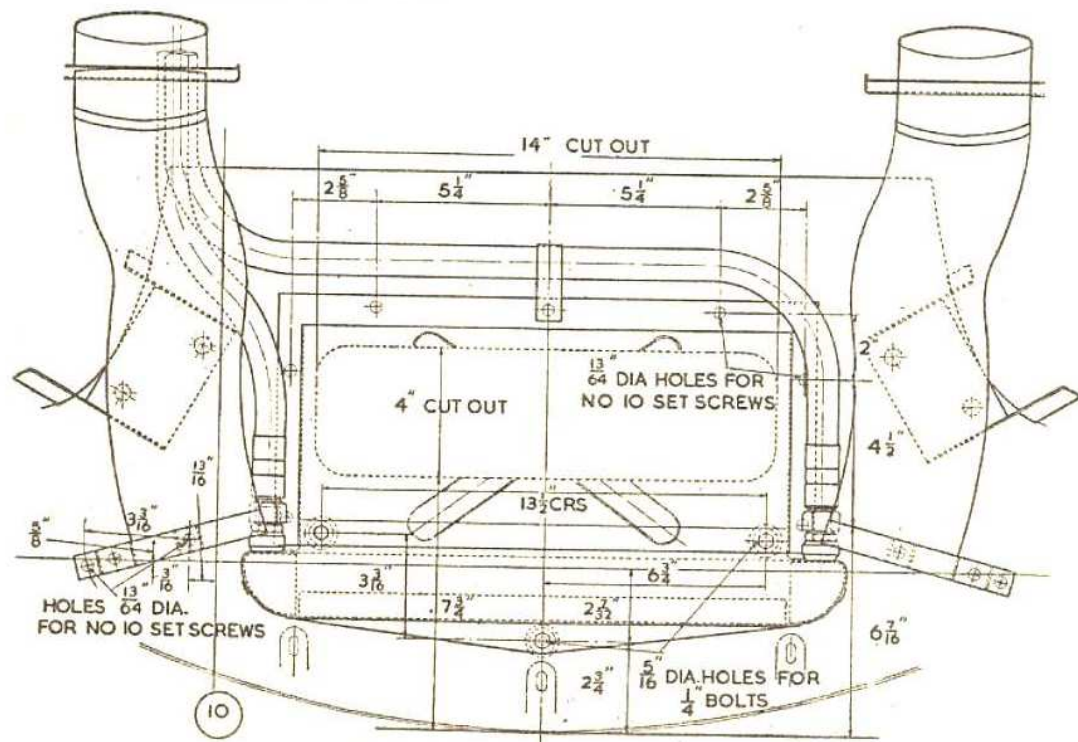
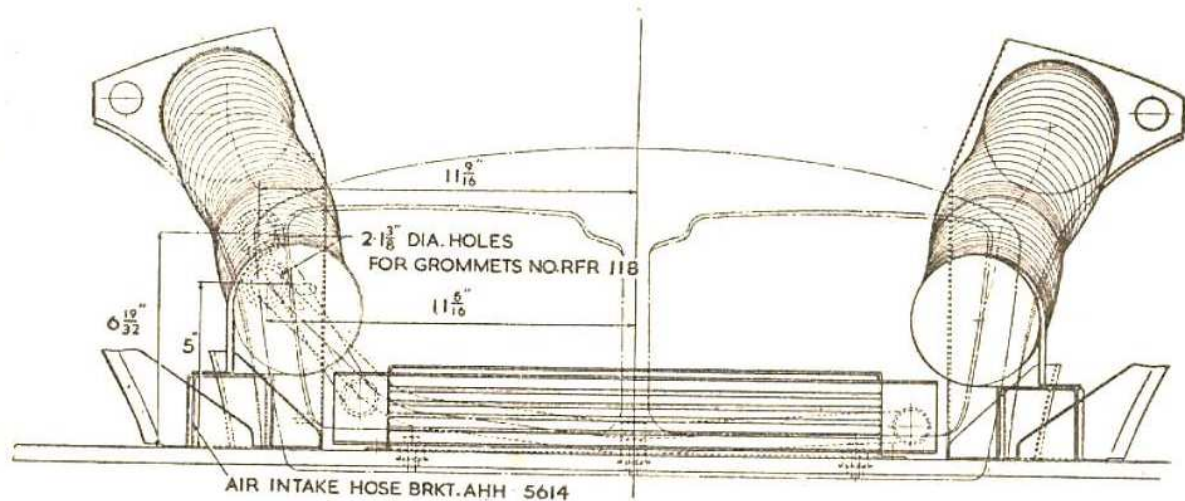
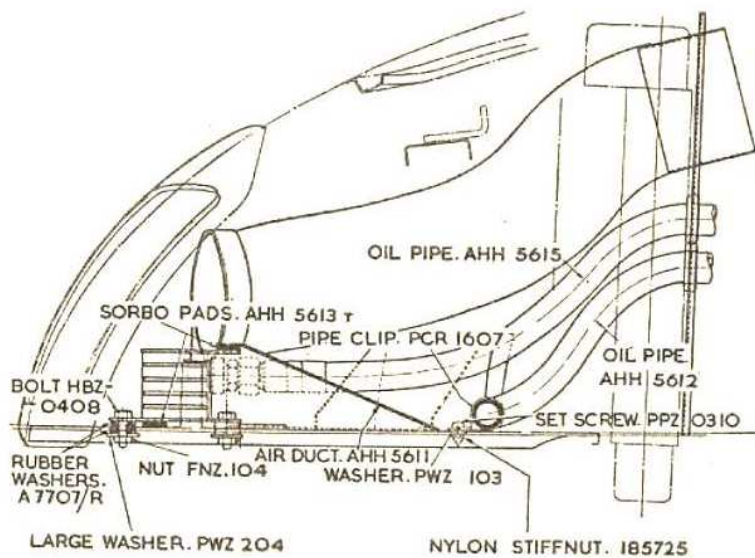


Fig. 4

The general arrangement of the oil cooler, together with dimensions to assist installation