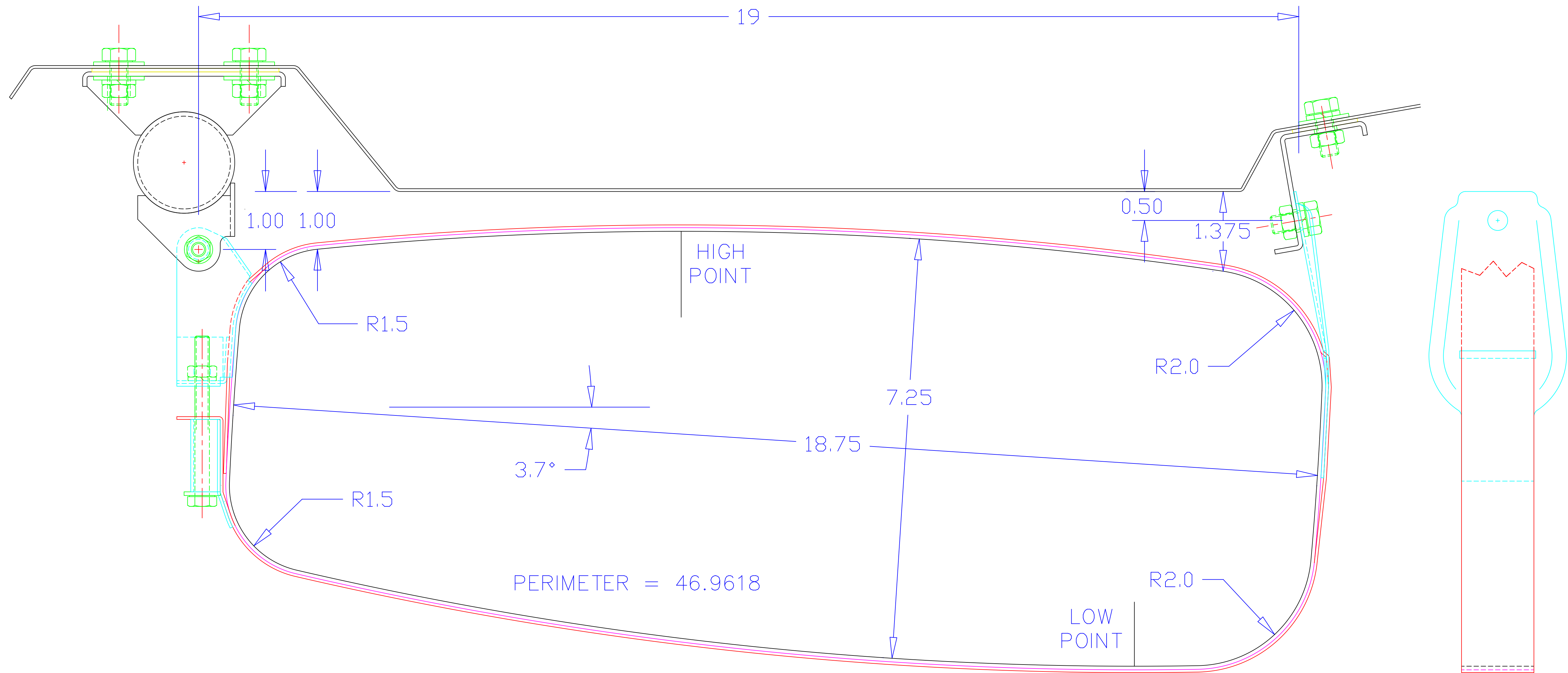


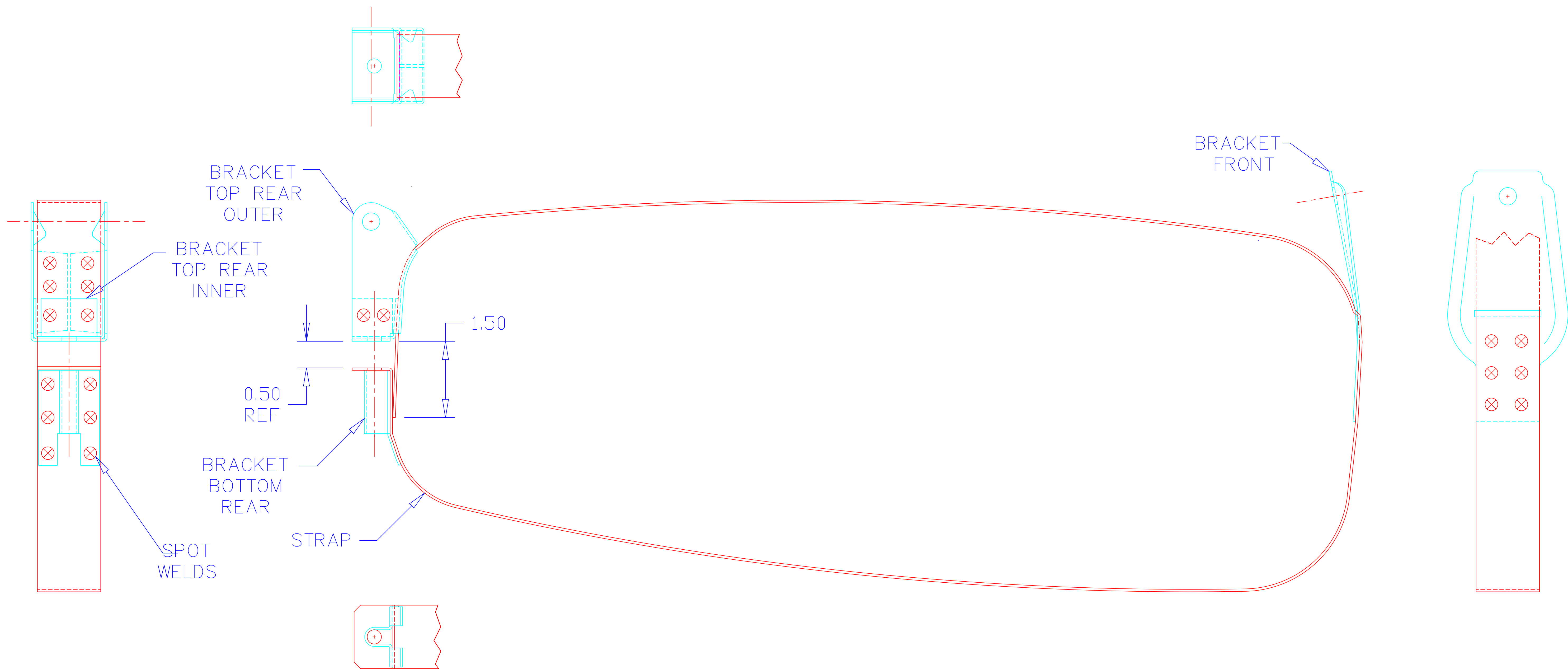
MGA FUEL TANK INSTALLATION
REAR VIEW

PRINT FULL SIZE ON ANSI
D-SIZE PAPER 34X22 INCHES
INNER BORDER IS 33X21 INCHES



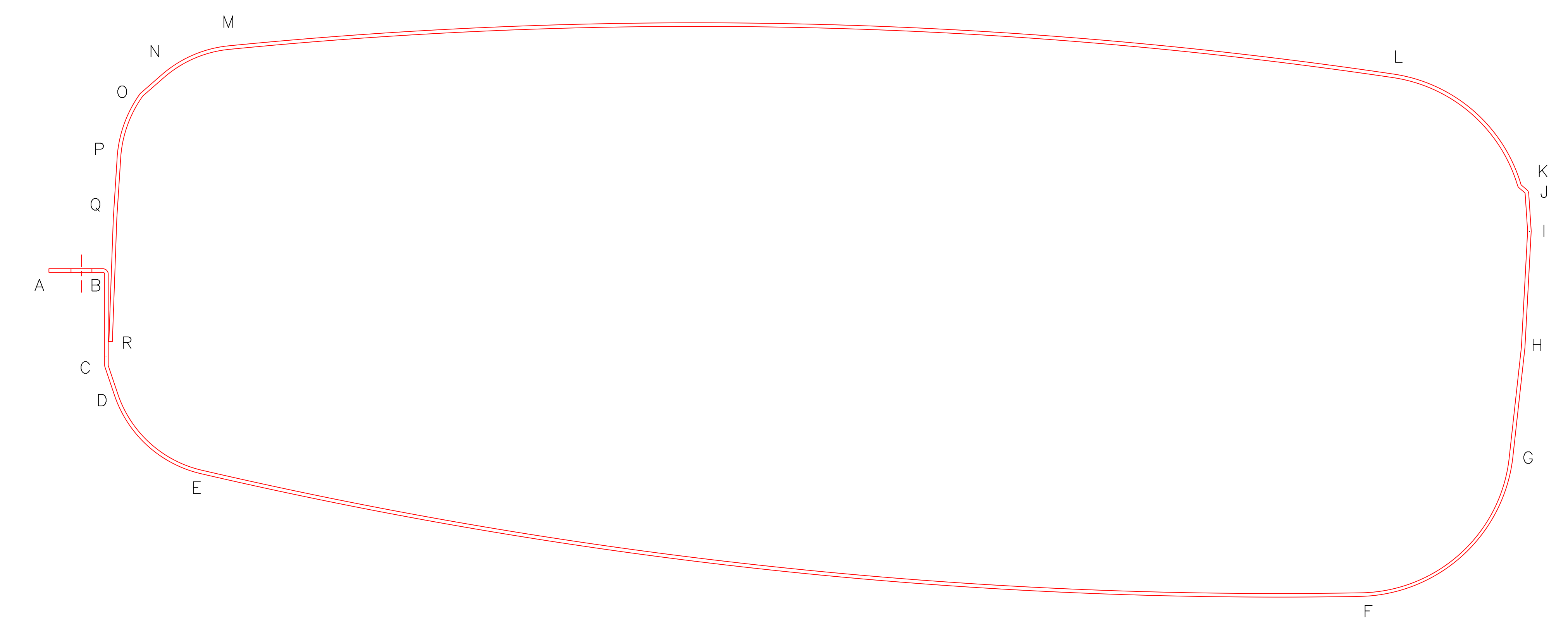
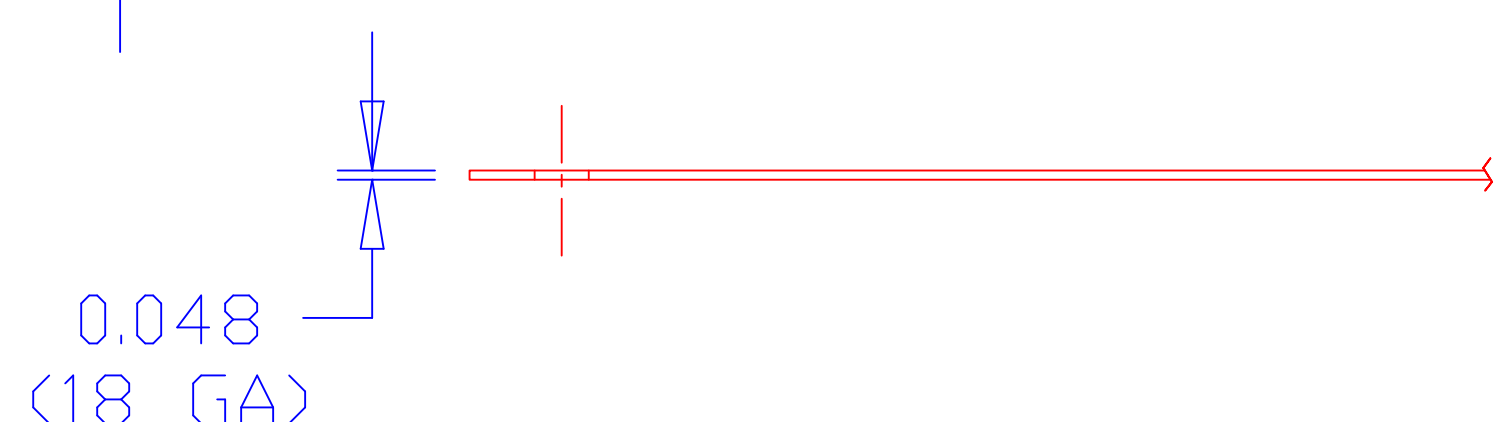
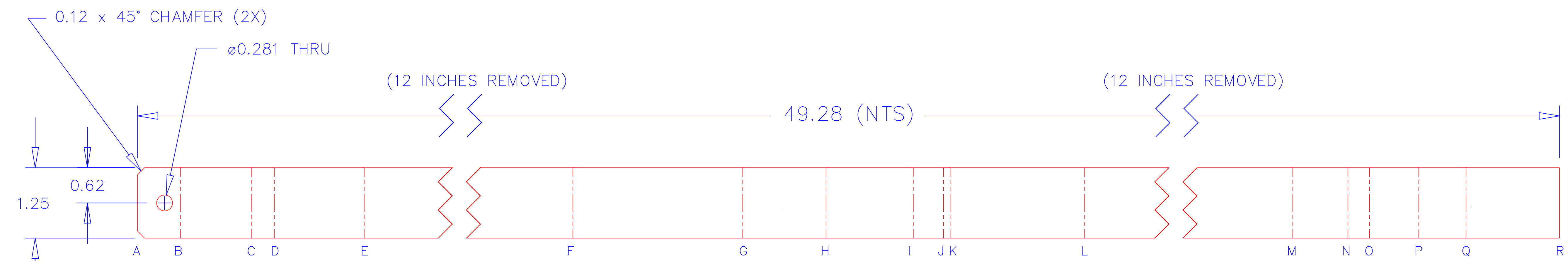
MGA FUEL TANK INSTALLATION
RIGHT SIDE VIEW

PRINT FULL SIZE ON ANSI
 D-SIZE PAPER 34X22 INCHES
 INNER BORDER IS 33X21 INCHES



MGA FUEL TANK HANGER
 SPOT WELDED ASSEMBLY
 FINISH: BLACK OXIDE OR PAINT BLACK

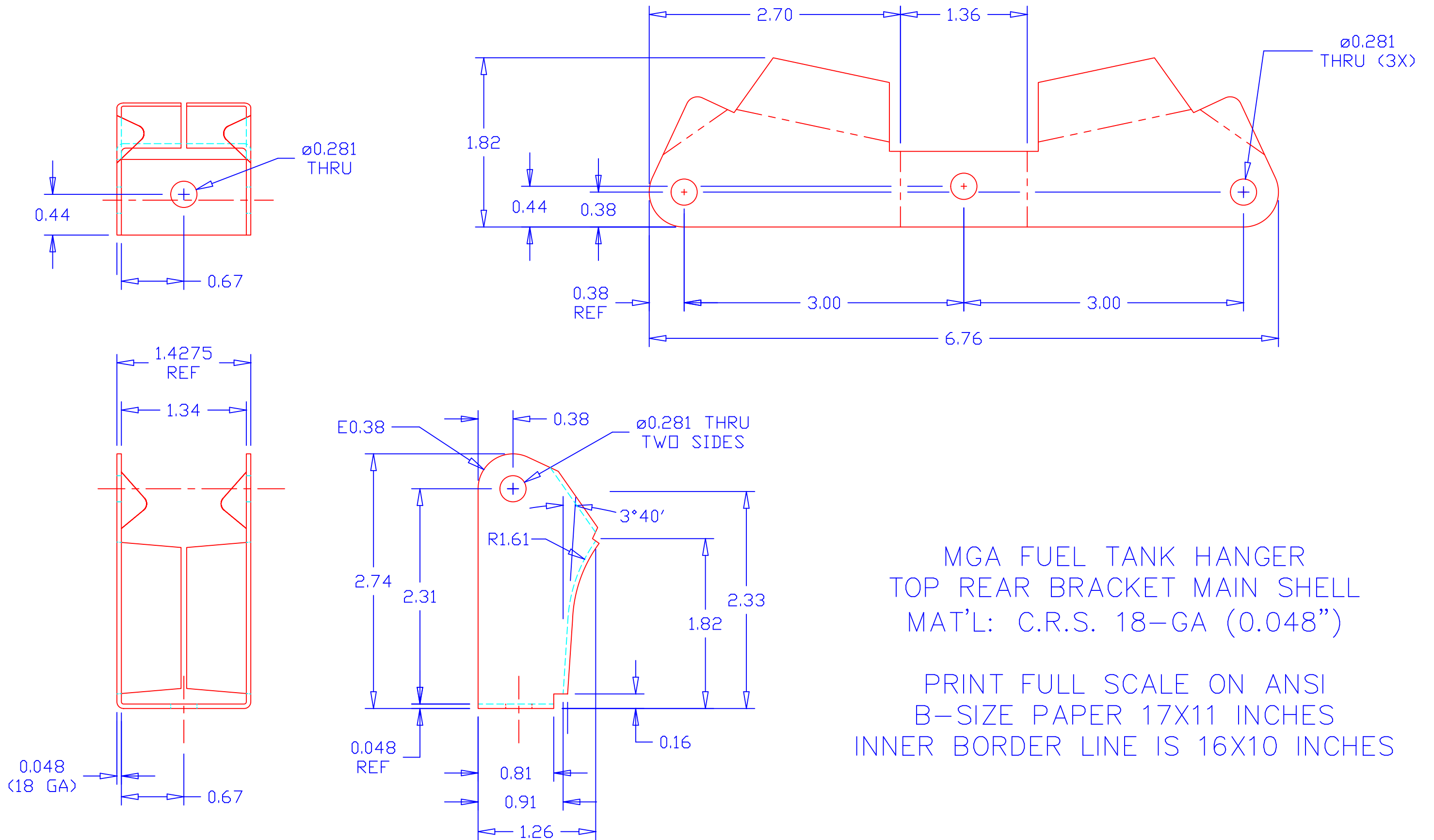
PRINT FULL SIZE ON ANSI
 D-SIZE PAPER 34X22 INCHES
 INNER BORDER LINE IS 33X21 INCHES



RUN and POINT	INCR DIST	TOTAL DIST	DESCRIPTION
A	0.00	0.00	1/8" x 45d chamfers
A-B	0.76	0.76	Straight
B		0.76	90d Bend outward
B-C	1.27	2.03	Straight
C		2.03	18.5d Bend
C-D	0.40	2.43	Straight
D		2.43	Tangent
D-E	1.61	4.04	1.59" Radius curve
E		4.04	Tangent
E-F	15.70	19.74	64" Radius curve
F		19.74	Tangent
F-G	3.02	22.76	2.06" Radius curve
G		22.76	Tangent
G-H	1.48	24.24	Straight
H		24.24	3d Bend
H-I	1.56	25.80	Straight
I		25.80	7d Bend
I-J	0.53	26.33	Straight
J		26.33	46d Bend
J-K	0.13	26.46	Straight
K		26.46	33d Bent outward
K-L	2.38	28.84	2.08" Radius curve
L		28.84	Tangent
L-M	15.70	44.54	64" Radius curve
M		44.54	Tangent
M-N	0.98	45.52	64" Radius curve
N		45.52	Tangent
N-O	0.38	45.90	Straight
O		45.90	13d Bend
O-P	0.88	46.78	1.63" Radius curve
P		46.78	Tangent
P-Q	0.84	47.62	Straight
Q		47.62	1.5d Bend
Q-R	1.66	49.28	Straight
R		49.28	Finish end

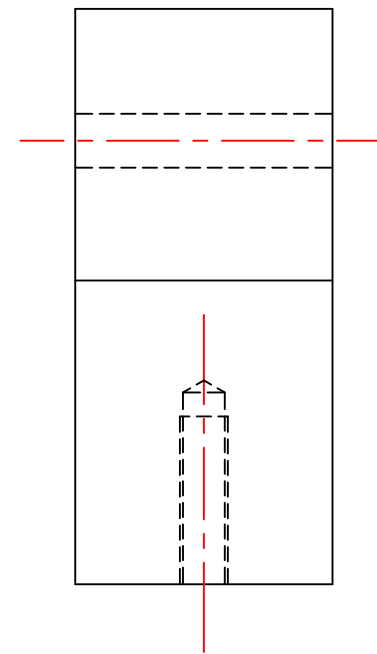
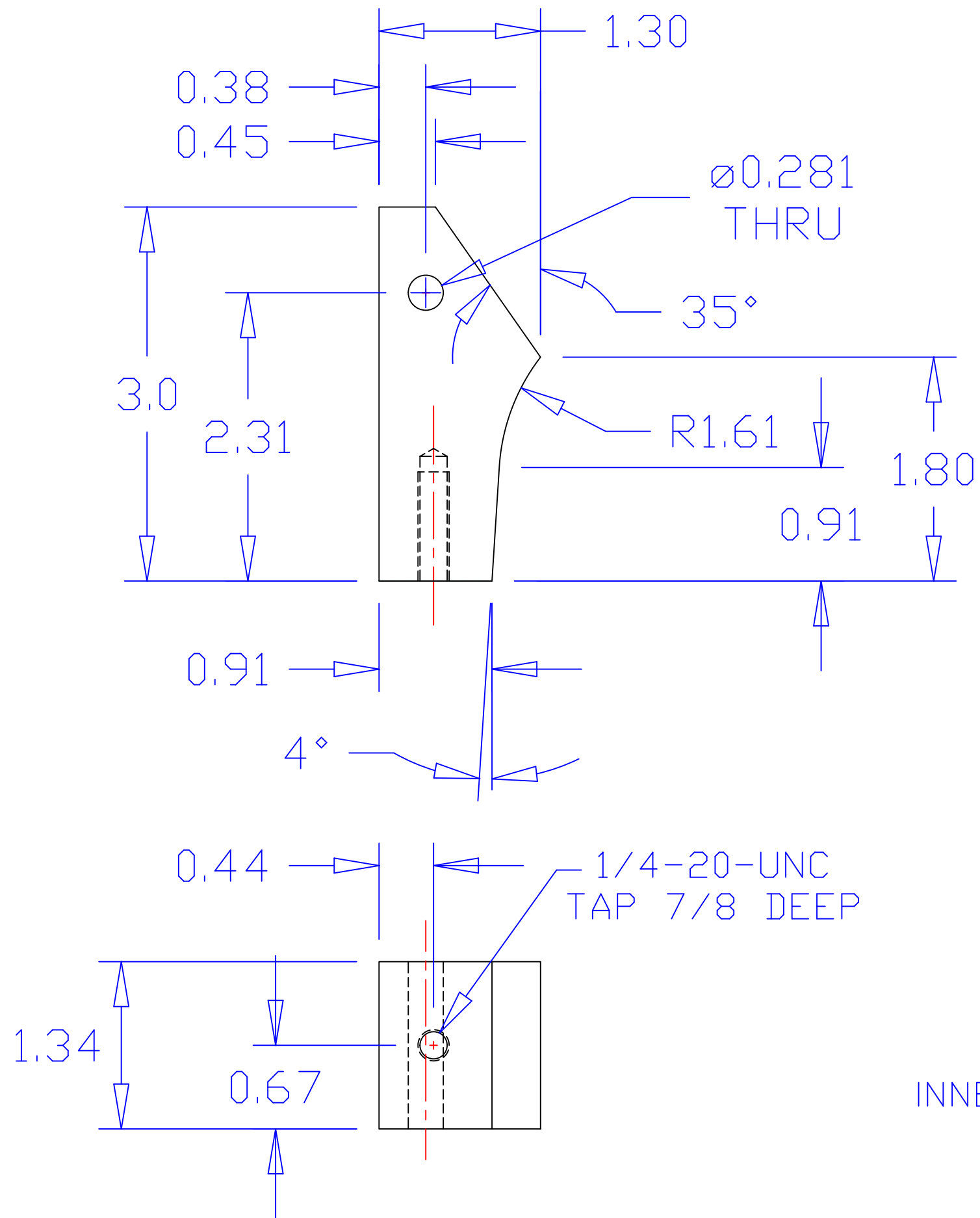
MGA FUEL TANK HANGER
 BAND STRAP FORMING
 MAT'L: C.R.S. 18-GA (0.048")

PRINT FULL SCALE ON ANSI
 D-SIZE PAPER 34X22 INCHES
 INNER BORDER IS 33X21 INCHES



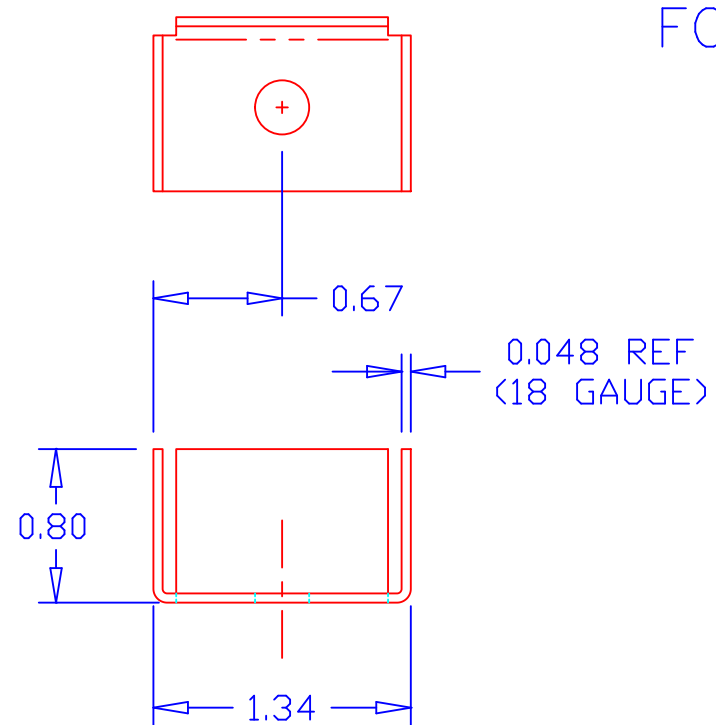
MGA FUEL TANK HANGER
 TOP REAR BRACKET MAIN SHELL
 MAT'L: C.R.S. 18-GA (0.048")

PRINT FULL SCALE ON ANSI
 B-SIZE PAPER 17X11 INCHES
 INNER BORDER LINE IS 16X10 INCHES

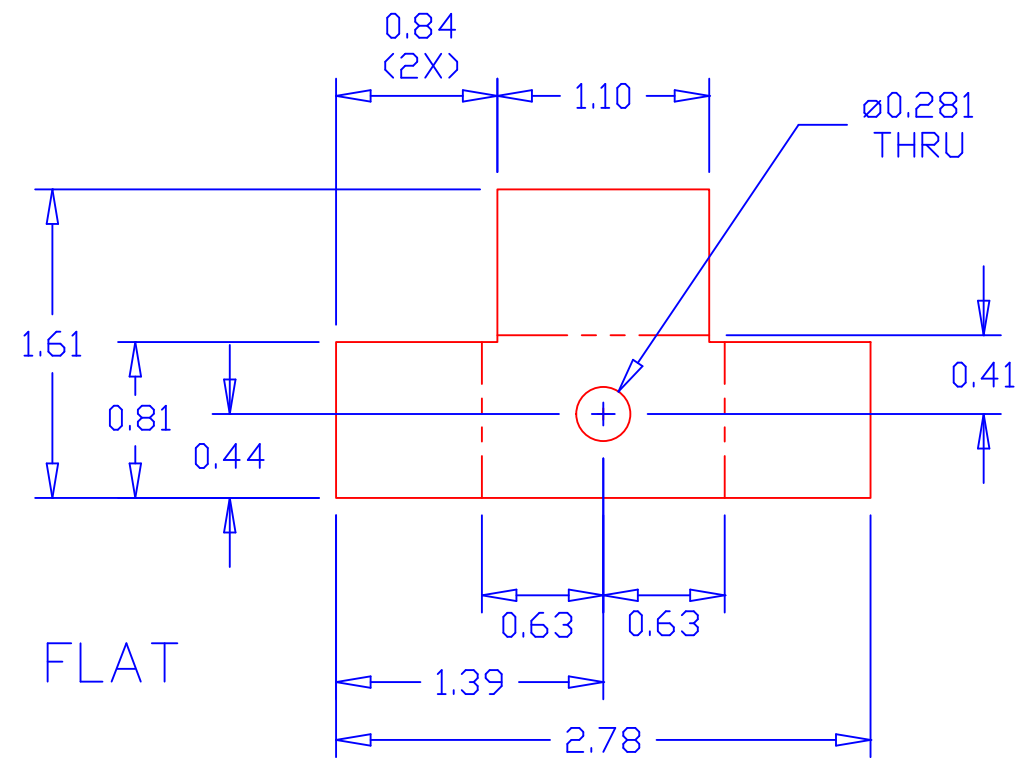
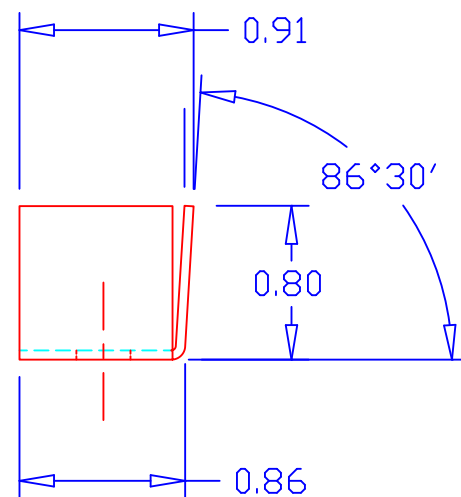


FORMING BLOCK FOR
 TOP REAR BRACKET
 MAT'L: HARDWOOD

PRINT FULL SCALE ON ANSI
 B-SIZE PAPER 17X11 INCHES
 INNER BORDER LINE IS 16X10 INCHES

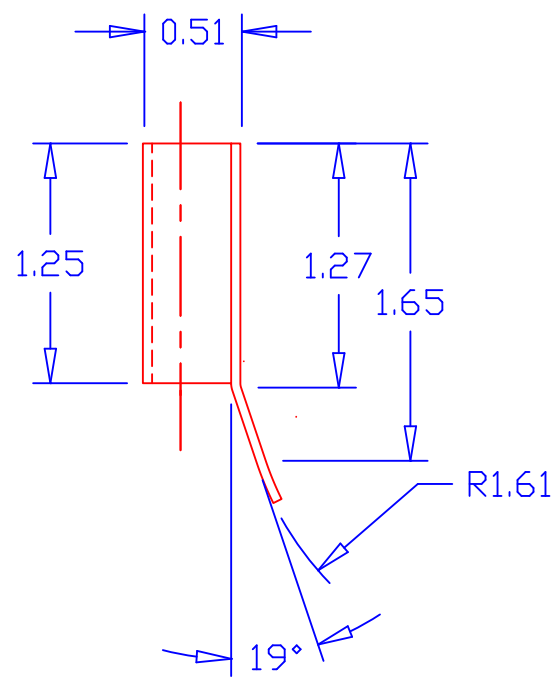
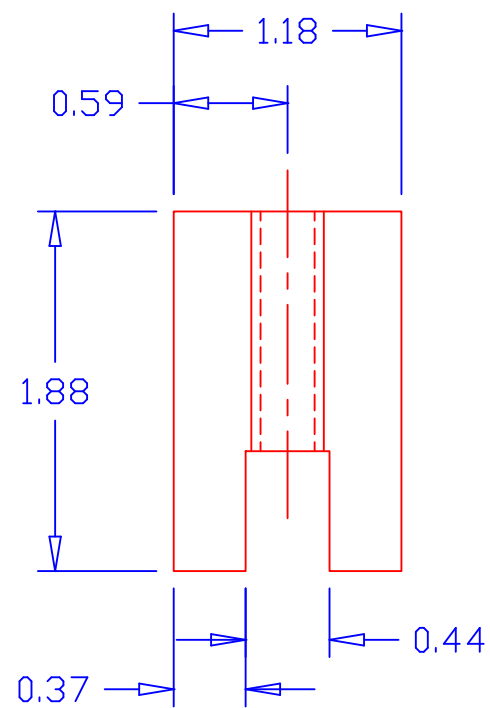


FORMED

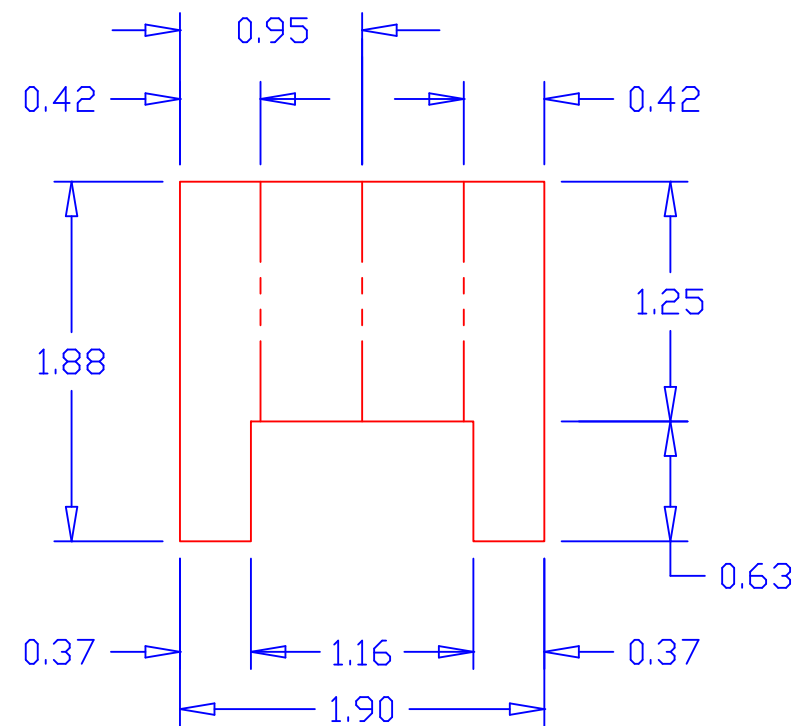


MGA FUEL TANK HANGER
TOP REAR BRACKET INNER SHELL
MAT'L: C.R.S. 18-GA (0.048")

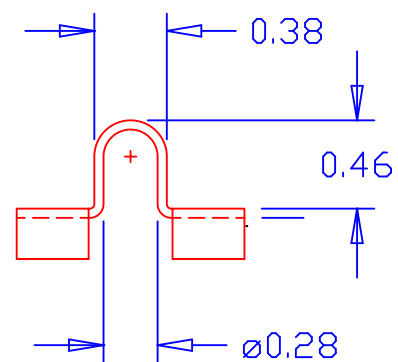
PRINT FULL SCALE ON ANSI
B-SIZE PAPER 17X11 INCHES
INNER BORDER LINE IS 16X10 INCHES



FORMED

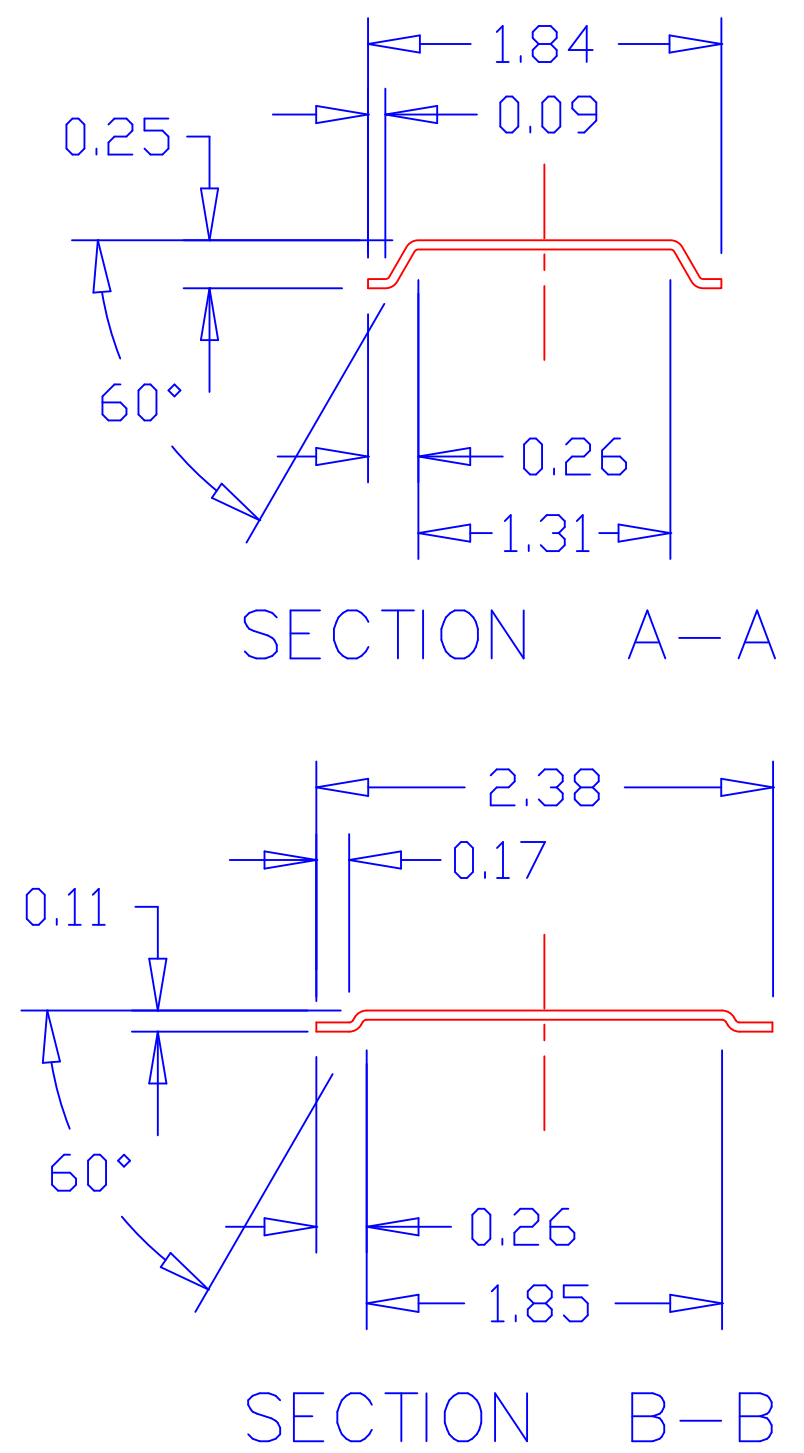
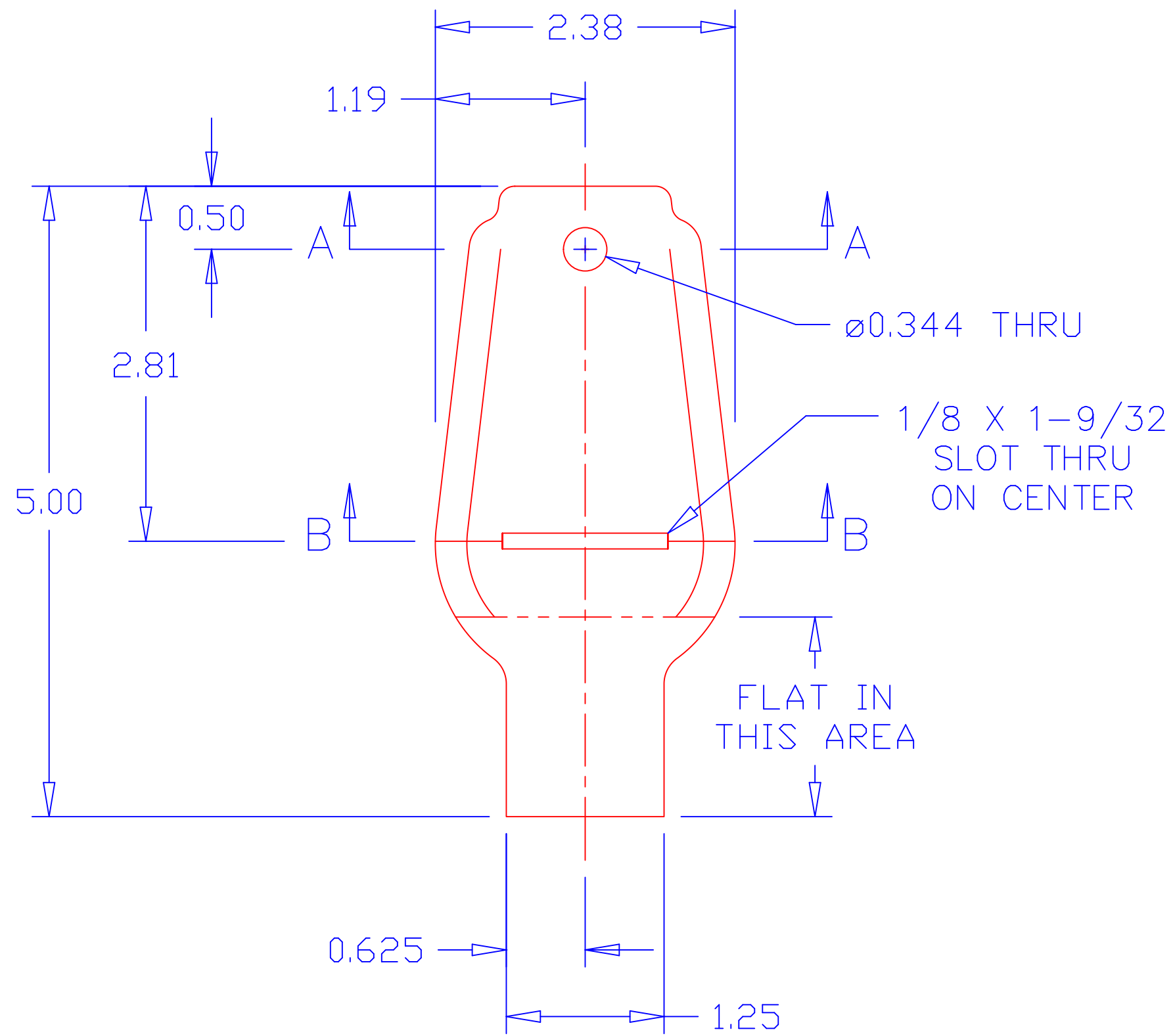
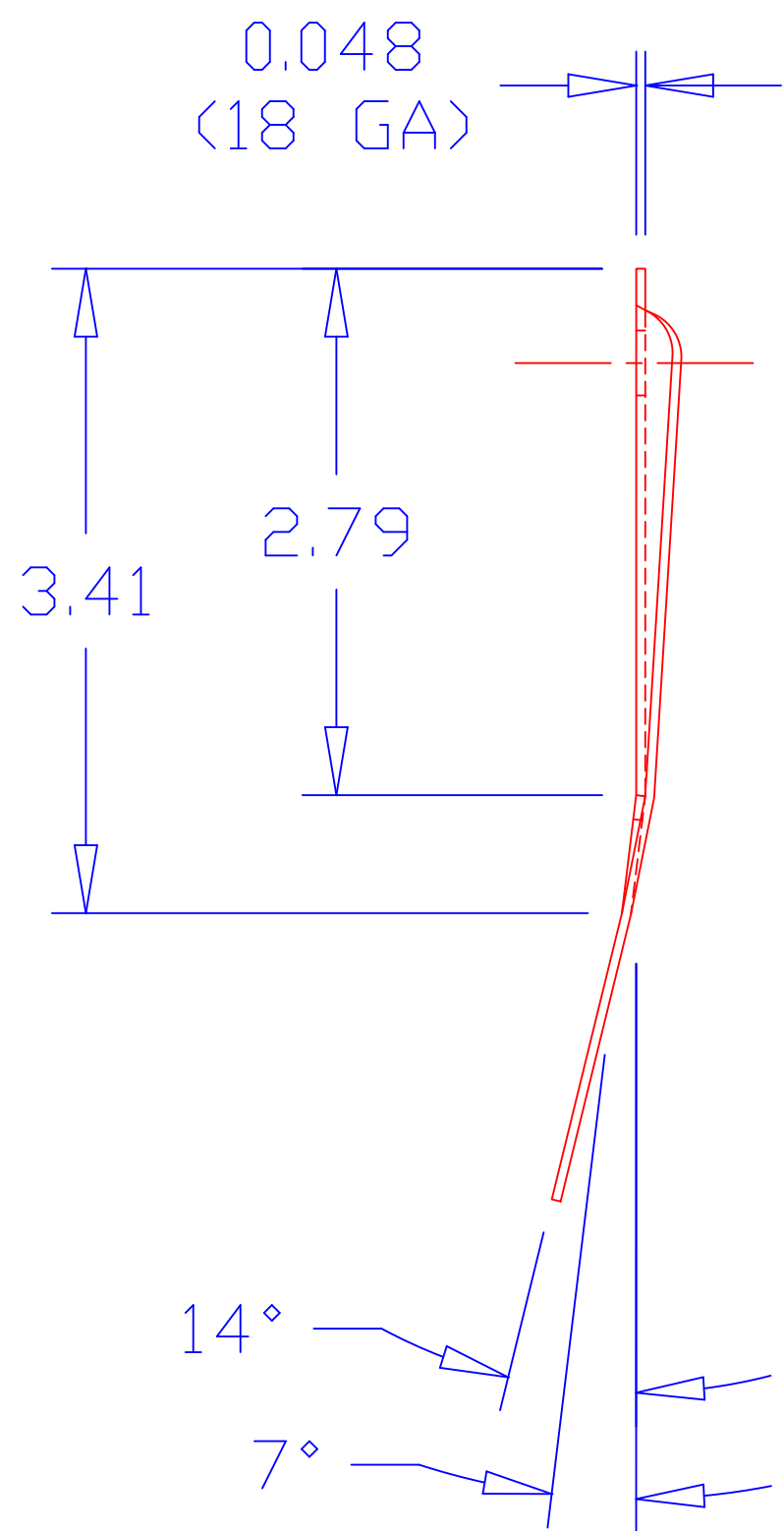


FLAT



MGA FUEL TANK HANGER
 LOWER REAR BRACKET
 MAT'L: C.R.S. 18-GA (0.048")

PRINT FULL SCALE ON ANSI
 B-SIZE PAPER 17X11 INCHES
 INNER BORDER LINE IS 16X10 INCHES



MGA FUEL TANK HANGER
FRONT BRACKET
MAT'L: C.R.S. 18-GA (0.048")

PRINT FULL SCALE ON ANSI
C-SIZE PAPER 22X17 INCHES
INNER BORDER LINE IS 21X16 INCHES