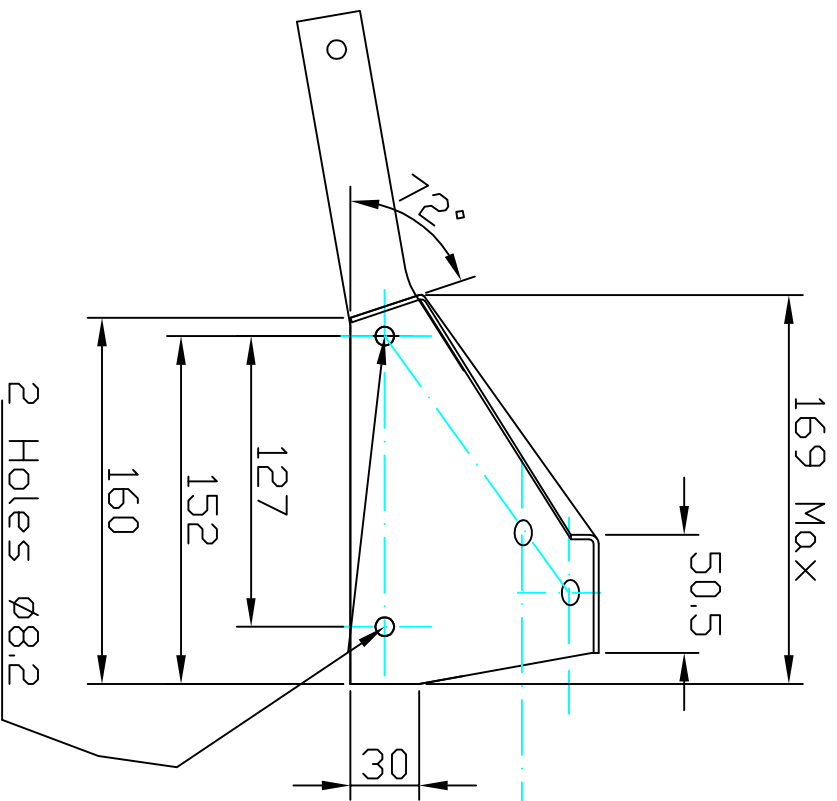
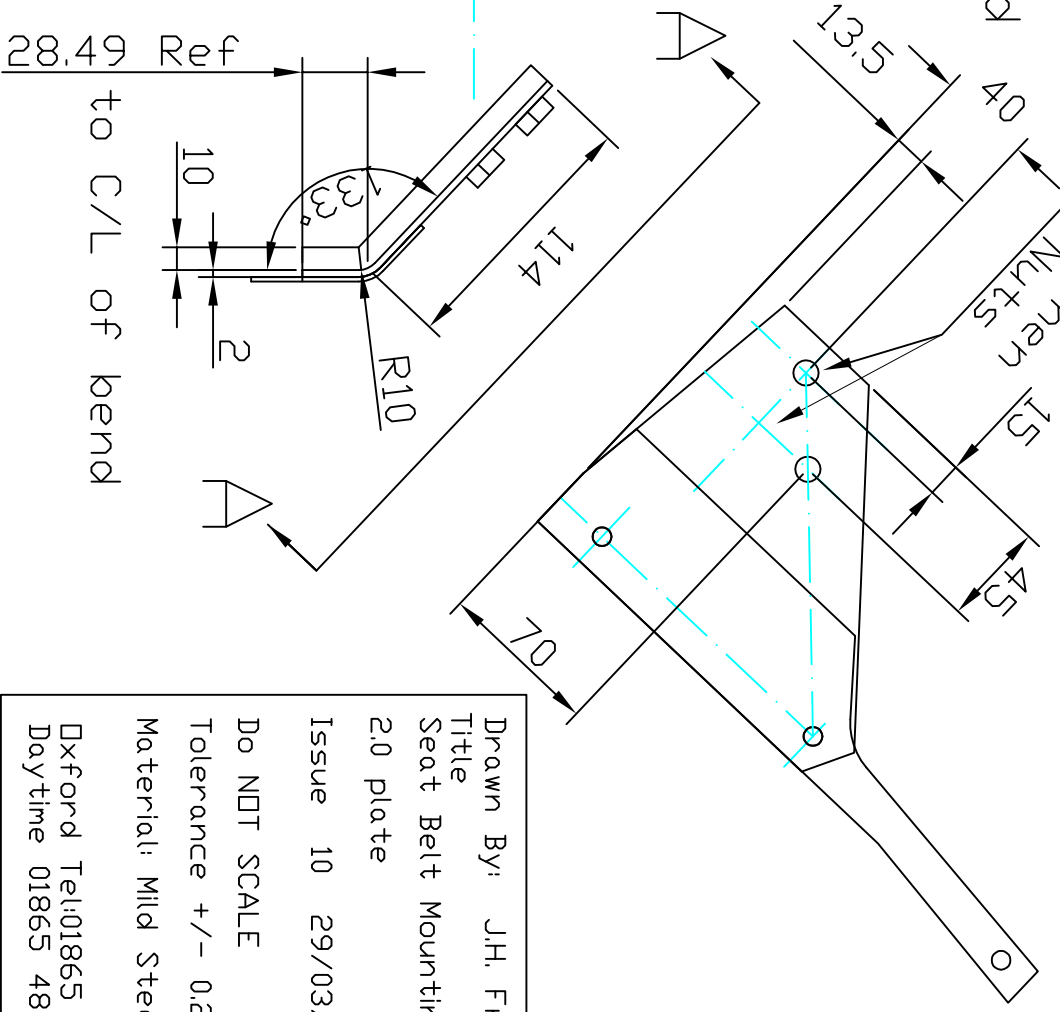


Pair of brackets required  
Mirror image about A-A



Drill through Ø11.5 then  
Weld on 7/16 Unf Nuts



Drawn By:	J.H. Francis
Title	Seat Belt Mounting Bracket
	2.0 plate
Issue	10 29/03/2011
	Do NDT SCALE
	Tolerance +/- 0.2mm
	Material: Mild Steel 2.0 mm TK
	Oxford Tel:01865 251721
	Daytime 01865 484441